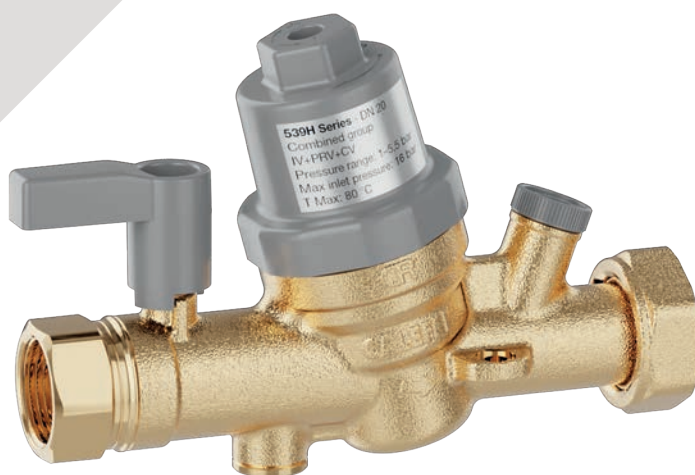


133-5031

539050H

apartment control assembly



**altecnic**  
CALEFFI group

# 133-5031 - 539050H apartment control assembly



The Altecnic apartment control assembly combines several functions into a monobloc body.

## Design

The Altecnic 539050H apartment control assembly consists of a ball isolating valve, pressure reducing valve, single check valve, test port, threaded inlet connection, and a swivel outlet connection whilst the 133-5031 has the same features but is supplied with a pressure gauge and insulation.

The monobloc body is manufactured from DZR material and all non-metallic components are WRAS approved.

The pressure reducing valve is factory set at 3 bar but is adjustable between 1 to 5.5 bar.

The test port is suitable for use with a pressure gauge or for a temperature probe.

The swivel outlet connection makes connecting a water meter quick and easy.

## Product Range

Ref No	Description
133-5031	¾" x 1" apartment control assembly complete with insulation and pressure gauge.
539050H	¾" x 1" apartment control assembly

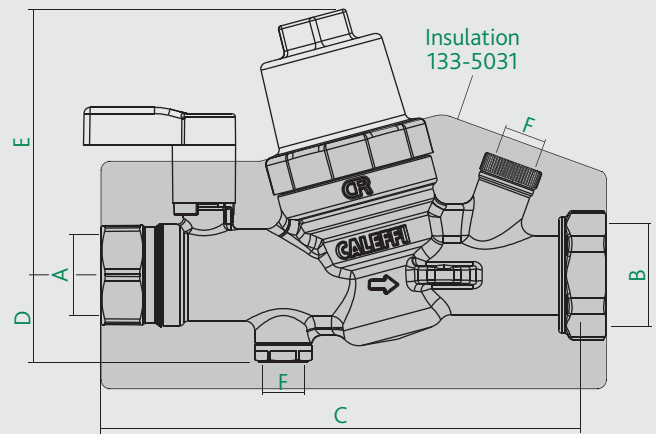
## Accessories

CBN539050	insulation shell
557010	pressure gauge 1-10 bar, ¼ BSP back fitting, 40 dial

## Technical Specification

Max. pressure:	16 bar
Max. temperature:	80°C
Pressure adjustment range:	1 to 5.5 bar
Factory set pressure:	3 bar
Pressure gauge range:	0 to 10 bar
Strainer mesh size:	0.51 mm
Test ports:	G¼

## Dimensions



Ref No	A	B	C	D	E	F	kg
133-5031	Rp¾	G1	151.2	159.3	108.2	G¼	0.8
539050H	Rp¾	G1	151.2	159.3	108.2	G¼	0.8

## Materials and Construction

Component	Material	Grade
Body	DZR	BS EN 12165 CW724R
Ball Valve		
Ball	DZR	BS EN 12165 CW724R
Ball seat	PTFE	
Stem	DZR	BS EN 12164 CW724R
Stem seals	EPDM	
Lever	Nylon	PA6G30
Pressure Reducing Valve		
Inner cover	Nylon	PA66GF30
Outer cover	Nylon	PA66GF30
Control stem	Stainless Steel	BS EN 10088-3
Cartridge	Polymer	PPSG40
Spring	Steel	BS EN 10270-1
Internal components	Polymer	PSU
Diaphragm	EPDM	
Seals	EPDM	
Strainer screen	Stainless steel	BS EN 10088-3
Check Valve		
Cartridge	Polypropylene	
Insulation		
Material		EPP
Density		40 kg/m³
Working temperature range		-5 to 80°C

© Patents & Design Altecnic 2022

Altecnic Ltd retains all rights (including patents, designs and copyrights, trademarks and any other intellectual property rights) in relation to all information provided on or via the website, brochures or any other documents, including all texts, graphics and logos, contained on the website, in brochures or in any other documents published in the name of or on behalf of Altecnic Ltd in any form, without prior written consent of Altecnic Ltd.

Altecnic Ltd Mustang Drive, Stafford, Staffordshire ST16 1GW

T: +44 (0)1785 218200 E: sales@altecnic.co.uk

Registered in England No: 02095101

altecnic.co.uk

AL 443 17-01-2022

E & O.E

© Altecnic Limited. 2022

ALTECNIC™

**altecnic**  
CALEFFI group