

ACOUSTIC DOORS



James Latham offers the UK's most comprehensive range of acoustic door blanks and door kits, most of which are also fire rated. With this brochure we would like to introduce this range.

With a nationwide network of 10 strategically based depots, and showrooms in London and Manchester, we offer the widest selection of door blanks and door kits for a wide range of performances, and in a wide range of thicknesses and finishes. All of our door products are thoroughly and regularly tested and meet a host of British and European standards. All of our door products are additionally all Third Party accredited ensuring that you are able specify the very best products.



The mark of responsible forestry

CONTENTS

- 2 **Moralt FireSmoke**
- 3 **Moralt FireSound**
- 4 **Moralt Inter-Connecting Doors**
- 5 **Moralt Pivot Hinge Doors**
- 6 **Moralt Ferro Akustik 68 – 98**
- 7 **Moralt Ferro Passive Akustik**
- 8 **Moralt Clad-On Panels**
- 9 **Product Overview**

In case you're curious, here's the fundamentals of a BS EN ISO 140-3

Acoustic door testing:

- A specimen is placed between a sound transmitting room and a sound receiving room
- Sound is generated over a range of frequencies in the transmitting room
- The sound pressure levels (loudness) of the sound are measured in the receiving room after passing through the specimen
- The received sound pressure levels are deducted from the transmitted sound pressure levels to determine the sound pressure loss at each of the tested frequencies



Standard HINGE DOORS

Internal

Moralt Firesmoke 44mm

- Acoustic performance dB32
- 30 minute Fire rated
- Spruce laminated core, lightweight and stable
- 6mm MDF faces for veneering, painting
- Format max. 5200 x 2070mm
- Available in nauf quality

Moralt FireSmoke 54mm

- Acoustic performance upto dB37
- 60 minute Fire rated
- Spruce laminated core, lightweight and stable
- 6mm MDF faces for veneering, painting
- Format max. 5200 x 2070mm
- Available in nauf quality



Moralt Firesmoke 54mm



Moralt FireSound 44mm

- Acoustic performance upto dB40
- 30 minute Fire rated
- Spruce laminated core, lightweight and stable
- 3mm MDF faces for veneering, painting
- Format max. 3660 x 1400mm
- Available in nauf quality



Moralt FireSound 54mm

- Acoustic performance upto dB40
- 60 minute Fire rated
- Spruce laminated core, lightweight and stable
- 3mm MDF faces for veneering, painting
- Format max. 3660 x 1400mm
- Available in nauf quality



Moralt FireSound 59mm

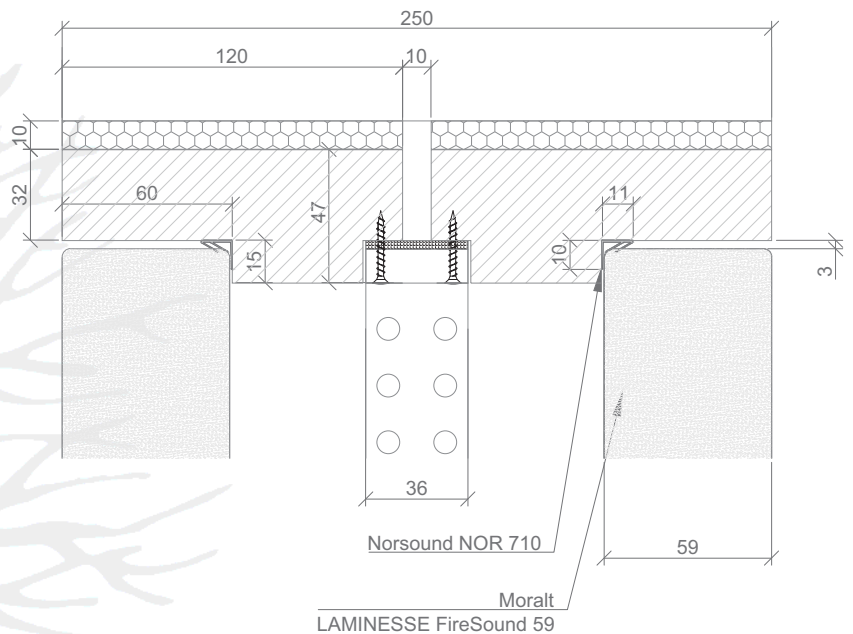
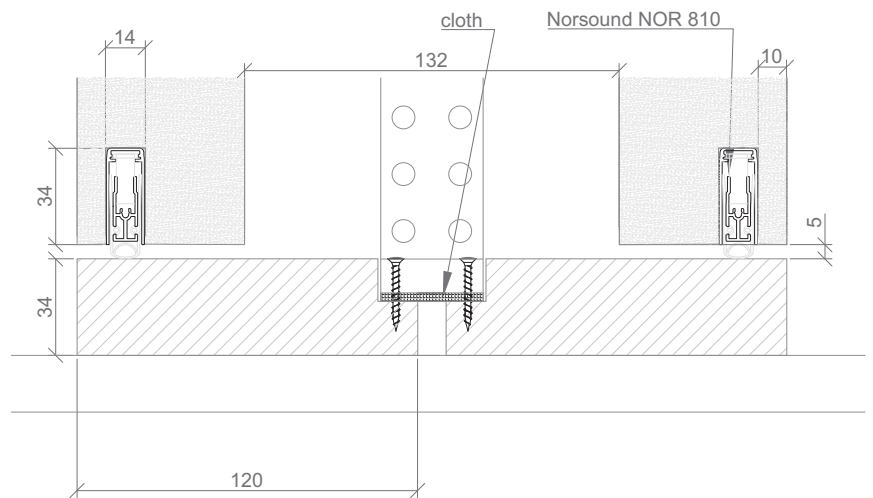
- Acoustic performance upto dB43
- FD30/60/90 Fire rated
- Spruce laminated core, lightweight and stable
- 3mm MDF faces for veneering, painting
- Format max. 3660 x 1400mm
- Available in nauf quality



Back to back INTER-CONNECTING DOORS

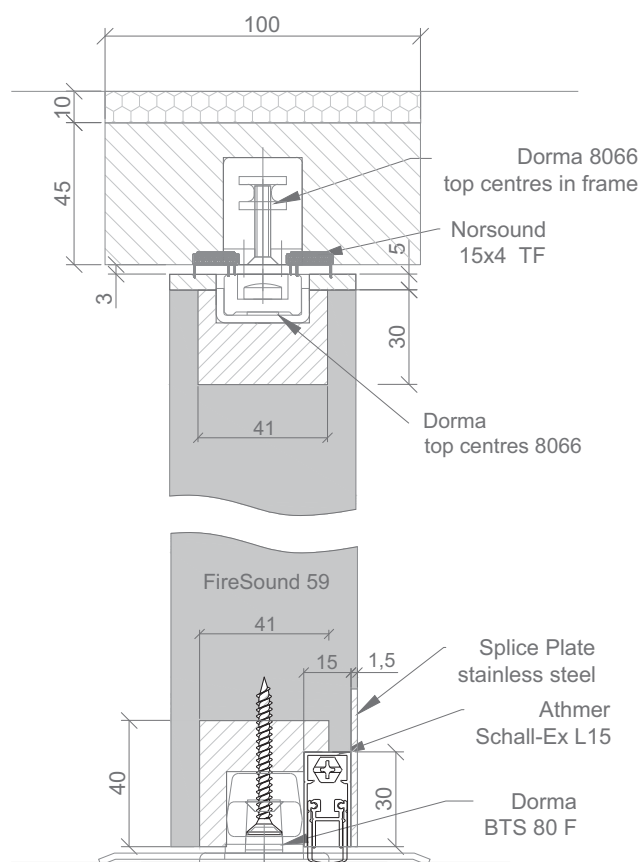
Moralt Inter-connecting

- dB 43 - dB53 performance using 2 no. 44mm thick Moralt door cores.
- dB63 performance using 2 no. 59mm thick Moralt door cores
- dB68 performance using 2 no. 59mm thick Moralt door cores + acoustic clad-on panel (25mm)
- Seal configurations from STS, Norsound and Athmer.



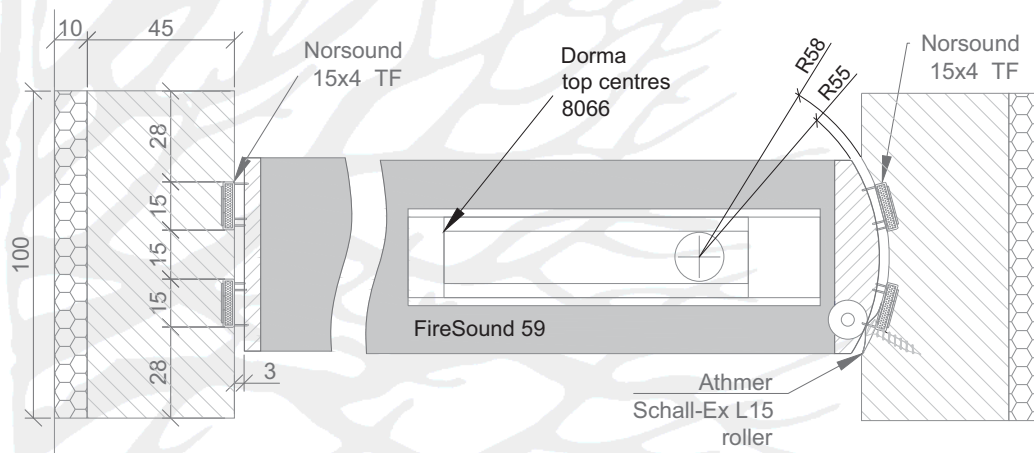
Pivot HINGE DOORS

Firesound 59mm



Moralt pivot hinge / floor spring door

- dB 42 as operational single leaf flush door
- FireSound 59mm door core
- Dorma 8066 / BTS 80 F



Moralt Ferro Akustik

Moralt Ferro Akustik 68mm, 78mm, 88mm & 98mm

- Acoustic performance dB42- dB47
- External use door blank
- Low thermal value 1.2 - 0.78 W/sqmK
- Patented steel stabilisor for 10 year non-bowing guarantee
- Spruce laminated core, lightweight and stable
- CE Marked EN14351-1.



Moralt OutDoor FERRO (FireSafe) Akustik 88mm

Auswahl möglicher Dichtungen (ähnliche Profile möglich)
Selection of possible seals (similar profiles possible)



Deventer 6612 Deventer 6699 Deventer 6741 Deventer 6793



Deventer 155a Deventer 6955 Deventer 6512a Goll 1017

Auswahl möglicher Absenkdichtungen
Selection of possible drop seals

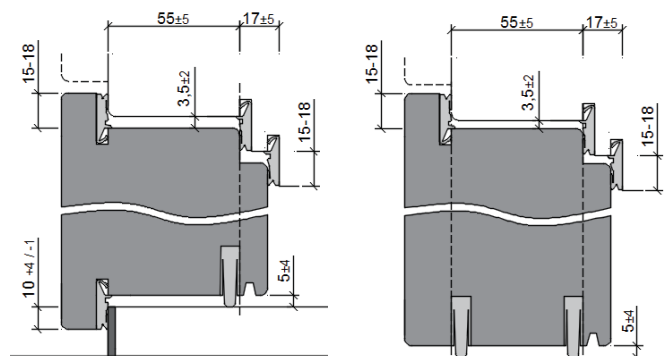


Athmer Schall-Ex L15

Planet HS

Planet RH

Planet US



überfälzte / überfälzte flächenbündige Ausführung (siehe Abbildungen) - rebated / flush rebated constructions (see pictures above)

47 dB Rwp

47 dB Rwp

stumpfe Ausführung – flush constructions

42 dB Rwp

42 dB Rwp

Alle unbemaßten Details sind sinnvoll zu gestalten - All not dimensioned details should be created in an appropriated way

PASSIVHAUS

Moralt Ferro Passiv Akustik

- Acoustic performance upto dB42
- Passivhaus certified
- Low thermal value 0.54 – 0.76 W/sqmK
- Patented steel stabilisor for 10 year non-bowing guarantee
- Spruce laminated core, lightweight and stable
- External door blank, CE Marked
- Ext MDF- or a variety of decorative wood veneer faces
- Format max. 2470 x 1150mm



Ferro Passiv Akustik

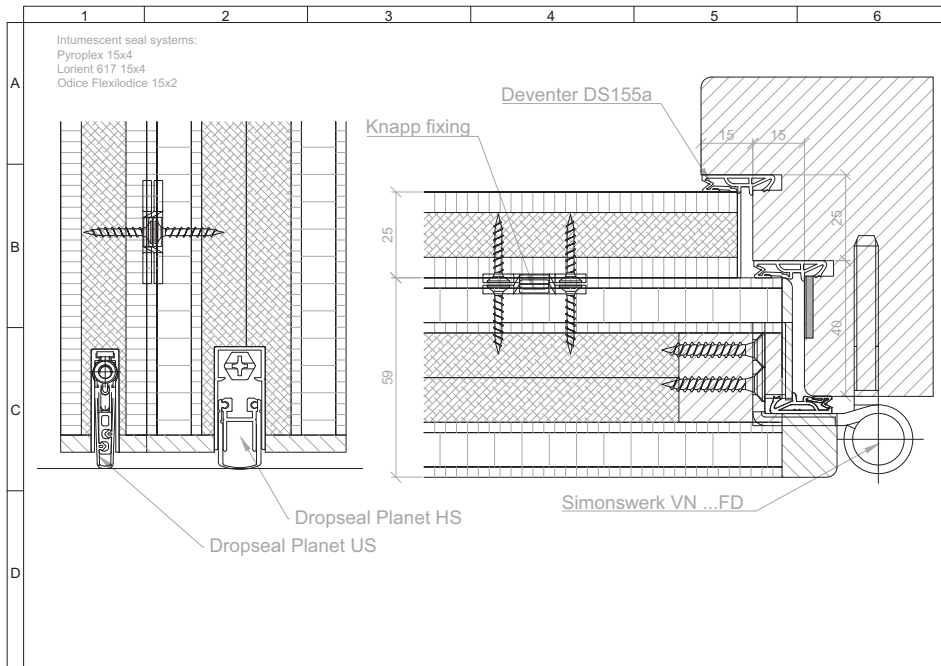


FERRO Passiv Akustik (SSK3)	Single leaf	Single leaf + vision panel	Single leaf + sidelight	Single leaf + sidelight+ fanlight	Double leaf	Double leaf + sidelight	Double leaf + sidelight + fanlight
	R _{wp} 42 dB	R _{wp} 42 dB ²⁾	R _{wp} 43 dB ²⁾	R _{wp} 43 dB ²⁾	R _{wp} 42 dB	R _{wp} 42 dB ²⁾	R _{wp} 42 dB ²⁾

2) Glass 45 dB

CLAD ON PANELS

Moralt Acoustic Clad-on panel 19-25mm thick



PRODUCT OVERVIEW



INTERNAL DOOR BLANKS	FireSmoke 44 mm 6 mm MDF face	FireSmoke 54 mm 6 mm MDF face*	FireSound 44 mm 3 mm MDF face	FireSound 54 mm 3 mm MDF face	FireSound 59 mm 3 mm MDF face
Acoustic value Rwp (non glazed)					
Single doors / double doors	32 / 32 dB	35 / 36 dB	40 / 39 dB	40 / 40 dB	43 / 44 dB
+ clad-on acoustic panels (19 - 25 mm)	41 - 42 dB	42 - 44 dB	–	44 - 47 dB	44 - 47 dB
Interconnecting single doors	–	48 dB	53 dB	53 - 54 dB	53 - 68 dB
Fire rating					
FD 30 BS 476 Part 22	●	●	●	●	●
FD 60 BS 476 Part 22	–	●	–	●	●
FD 90 BS 476 Part 22	–	–	–	–	●
EI 30 EN 1634-1	●	●	–	●	●

● available * exterior grade MDF on request For more information please ask about our current Global Assessments / FoA



EXTERNAL DOOR BLANKS	FERRO KlassikPlus 68 - 98 mm	FERRO FireSafe 68 - 98 mm	FERRO Akustik 68 - 98 mm	FERRO Passiv 98 mm	Ferro Passiv Akustik 98 mm
Acoustic value Rwp (non glazed)					
Single doors / double doors	30 dB	31 dB	42 - 47 dB	30-37dB	42dB
Fire rating					
FD 30 BS 476 Part 22	–	●	on request	–	●
FD 60 BS 476 Part 22	–	–	–	–	●
EI 30 EN 1634-1	–	●	on request	–	●

● available For more information please ask about our current Global Assessments / FoA



James Latham Distribution Sites

1 James Latham Dudley ●●

T: 01384 234444
F: 01384 233121
E-mail: panels.dudley@lathams.co.uk
timber.dudley@lathams.co.uk

2 James Latham Fareham ●●

T: 01329 854800
F: 01329 849585
E-mail: panels.fareham@lathams.co.uk
timber.fareham@lathams.co.uk

3 James Latham Gateshead ●●

T: 0191 469 4211
F: 0191 469 2615
E-mail: panels.gateshead@lathams.co.uk
timber.gateshead@lathams.co.uk

4 James Latham Leeds ●●

T: 0113 387 0830
F: 0113 387 0855
E-mail: leeds@lathams.co.uk

4 ATP (Advanced Technical Panels) ●●

T: 0113 387 0850
F: 0113 387 0855
E-mail: atp@lathams.co.uk

5 James Latham Scotland ●●

T: 01698 838777
F: 01698 831452
Email: scotland@lathams.co.uk

6 James Latham Leicester ●●

T: 0116 288 9161
F: 0116 281 3806
E-mail: panels.leicester@lathams.co.uk
timber.leicester@lathams.co.uk

7 James Latham Yate ●●

T: 01454 315421
F: 01454 323488
E-mail: panels.yate@lathams.co.uk
timber.yate@lathams.co.uk

8 James Latham Hemel Hempstead ●●

T: 01442 849000
F: 01442 239287
E-mail: panels.hemel@lathams.co.uk

9 James Latham Thurrock ●●

T: 01708 869800
F: 01708 860900
E-mail: panels.thurrock@lathams.co.uk

10 James Latham Purfleet ●●

T: 01708 864477
F: 01708 862727
E-mail: timber.purfleet@lathams.co.uk

11 James Latham - Product Specification Showroom London

Suite 301, Business Design Centre,
52 Upper Street, Islington, N1 0QH
T: 020 7288 6417
E-mail: BDC@lathams.co.uk

12 James Latham - Product Specification Showroom Manchester

31a Tib St, Manchester M4 1LX
T: 0161 537 1185
E-mail: pssm@lathams.co.uk



Distribution facilities

- Port Of Tilbury
- Port of Liverpool
- Port of Grangemouth

KEY: ● PANEL PRODUCTS ● TIMBER PRODUCTS



DEVENTER



LORIENT



Call **0116 257 3415**
email marketing@lathams.co.uk
or visit www.lathamtimber.co.uk



Responsible Purchaser