



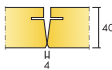
Ecophon Akusto™ Wall Edge C

Ecophon Akusto™ Wall C has a concealed grid and bevelled edge to create a narrow groove between each panel. Available in a variety of surface options. Excellent room acoustic properties are achieved when this wall absorber is paired with a sound absorbing ceiling.

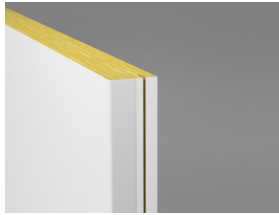


Family Inge, Sweden

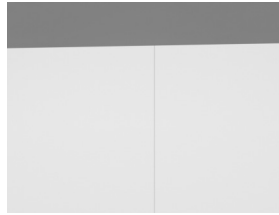
SYSTEM RANGE



Size, mm	2700x600
Thinline Profile	•
WP Profile	•
Thickness	40
Inst. Diagr.	M609, M354, M355, M592



Akusto Wall C



Section of Akusto Wall C System



Akusto Wall C system with Connect WP profile and external corner



Wall Panel C system with Connect WP profile and external corner

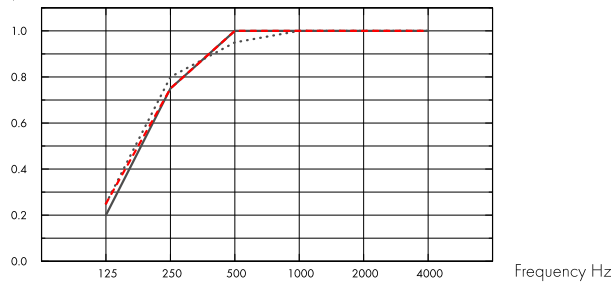
Acoustic



Sound Absorption:

Test results according to EN ISO 354. Classification according to EN ISO 11654, and the single value ratings for Noise Reduction Coefficient, NRC and Sound Absorption Average, SAA according to ASTM C 423.

α_p , Practical sound absorption coefficient



..... Akusto Wall C Akutex FT 40 mm, 43 mm o.d.s.

— Akusto Wall C Texona 40 mm, 43 mm o.d.s.

--- Akusto Wall C Super G 40 mm, 43 mm o.d.s.

o.d.s = overall depth of system

	THK mm	o.d.s. mm	α_p , Practical sound absorption coefficient						α_w	Sound absorption class
			125 Hz	250 Hz	500 Hz	1000 Hz	2000 Hz	4000 Hz		
Akutex FT	40	43	0.25	0.80	0.95	1.00	1.00	1.00	1.00	A
Texona	40	43	0.20	0.75	1.00	1.00	1.00	1.00	1.00	A
Super G	40	43	0.25	0.75	1.00	1.00	1.00	1.00	1.00	A

THK mm	AC[1.5] Articulation Class, ASTM E1111, ASTM E1110
40	240

Indoor Air Quality



Certificate / Label	Plant	
Eurofins Indoor Air Comfort®	IAC	IAC Gold
French VOC	A	A+
Finnish M1	•	•



Environmental Footprint



	kg CO ₂ equiv/m ²
Akusto Wall C - Texona	7,66
Akusto Wall C - Texona/Plant	8,42
Akusto Wall C - Akutex FT	7,44
Akusto Wall C - Akutex FT/Plant	8,05
Akusto Wall C - Super G	9,03
Akusto Wall C - Super G/Plant	9,98

Life-cycle stages A1 to C4 from EPD, in conformity with ISO 14025 / EN 15804



Circularity

Minimum post-consumer recycled content	60%
Recyclability	Fully recyclable



Fire safety

Country	Class	
Europe	EN 13501-1	A2-s1,d0

The glass wool core of the tiles is tested and classified as non-combustible according to EN ISO 1182.



Humidity Resistance

Product	
Standard	Class C, RH 95% and 30°C
Plant	Class A, RH 70% and 25°C

According to EN 13964:2014



Visual appearance

Akusto Wall in white has high light reflectance. Light reflectance and nearest NCS colour sample for all the different colours: See Ecophon Colours and surfaces.



Cleanability

Daily dusting, vacuum cleaning and weekly wet wiping (Super G and Akutex FT surface). Weekly dusting and vacuum cleaning (Texona) as required.



Use of disinfectants

Texona Ginger, Sea salt, Thyme, Oyster and Garlic withstand the frequent use of ethanol (70%)-based disinfectants. Dampen a soft polyester microfiber cloth with the solution and wipe the surface in gentle circular movements.



Accessibility

The tiles are not demountable except in selected installation diagrams. See quantity specification for more information.



Installation

Installed according to installation diagrams, installation guides and drawing aid. For information regarding minimum overall depth of system see quantity specification. The systems should not be placed behind goals or similar areas where they are likely to be hit regularly. In such cases a protective net in front of the system is recommended.



System weight

The weight of the system (including profile system) should be approximately 5 kg/m².



Mechanical properties

No additional live load is allowed.



Impact Resistance

Surface	M-scratch	
Super G	M354	Fulfills

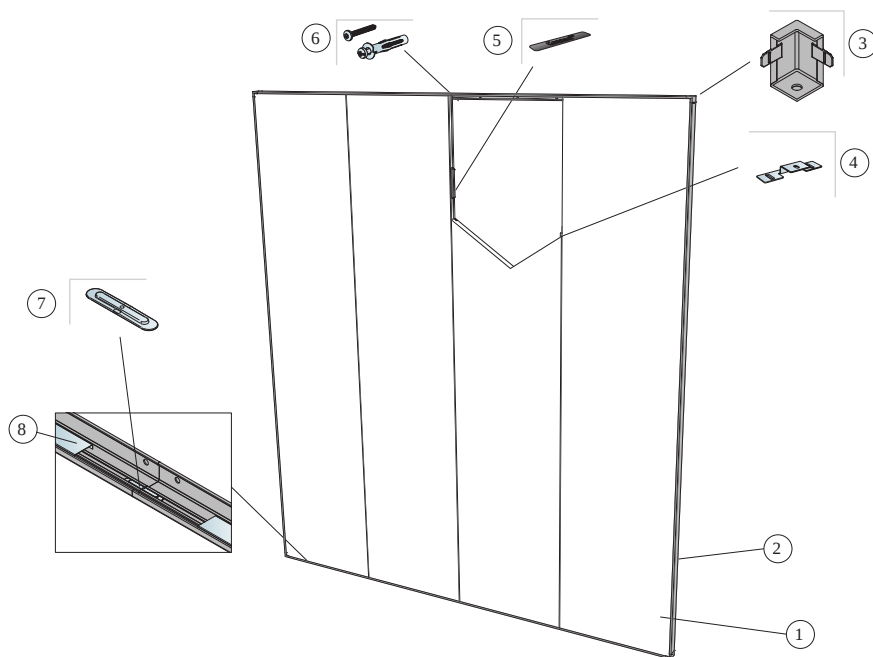
Tested and classified to fulfil the requirements of DIN 18032-3, equivalent to 1A according to EN13964..



CE

Ecophon ceiling systems are CE marked according to the European harmonized standard EN 13964:2014. CE marked construction products are covered by a Declaration of Performance (DOP) which enables customers and users to easily compare performance of products available on the European market.

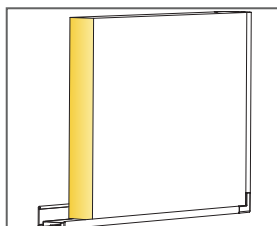
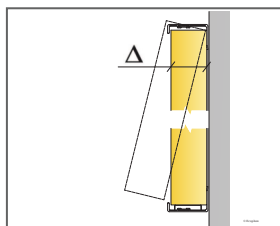
INSTALLATION DIAGRAM (M609) FOR ECOPHON AKUSTO WALL C VERTICAL INSTALLATION WITH CONNECT THINLINE PROFILES.



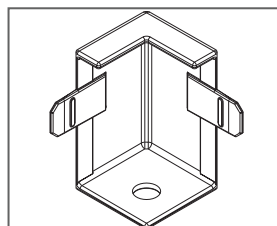
© Ecophon

QUANTITY SPECIFICATION (EXCL. WASTAGE)

	Size, mm
	2700x600
1 Akusto Wall C	0,62/m ²
2 Connect Thinline Profile, L=2658 mm	as required
3 Connect Thinline Corner	as required
4 Connect Fixing Plate installed 3 per panel length	as required
5 Connect Spline	as required
6 Installation screw, installed at 400 mm centres (select fastener according to wall material)	as required
7 Connect Thinline Splice. used to extend Thinline profiles where needed.	as required
8 Connect Thinline Space Bar	as required
Δ Overall depth of system: 45 mm	-



Detail of panel with Thinline frame

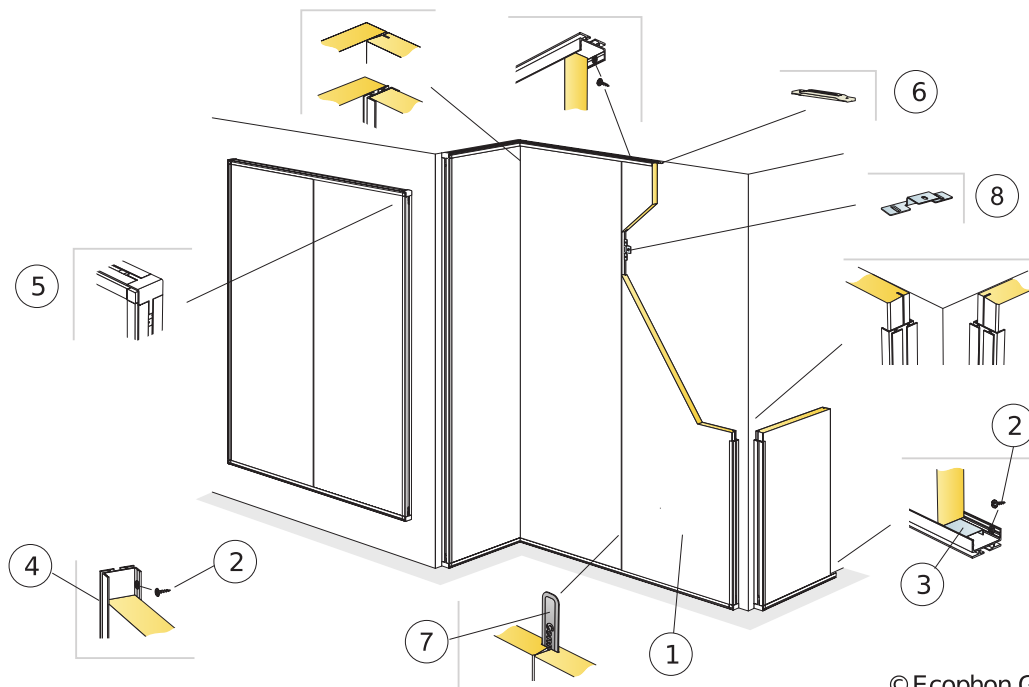


Detail of Thinline corner

Size, mm	Max live load (N)	Min load bearing capacity (N)
2700x600x40	0	-

Live load/load bearing capacity

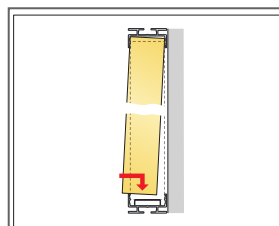
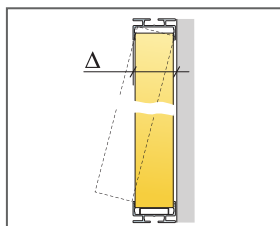
INSTALLATION DIAGRAM (M354) FOR ECOPHON AKUSTO WALL C VERTICAL INSTALLATION



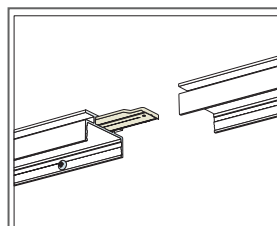
© Ecophon Group

QUANTITY SPECIFICATION (EXCL. WASTAGE)

		Size, mm
		2700x600
1	Akusto Wall C (Akusto Wall C/Super G for Ball Impact Resistance)	0,62/m ²
2	Connect Installation screw MVL (for use in plasterboard or timber)	as required
3	Connect WP Space bar, L=2400 mm	as required
4	Connect WP Profile, L=2687 mm, fixed at 400 mm centres	as required
5	Connect WP External corner mounted in Connect WP Profile	as required
6	Connect WP Profile splice, used to extend WP profiles where needed.	as required
7	Connect Spline	as required
8	Connect Fixing Plate installed 3 per panel length	as required
Δ Min. overall depth of system: 44 mm		-



Detail of installation

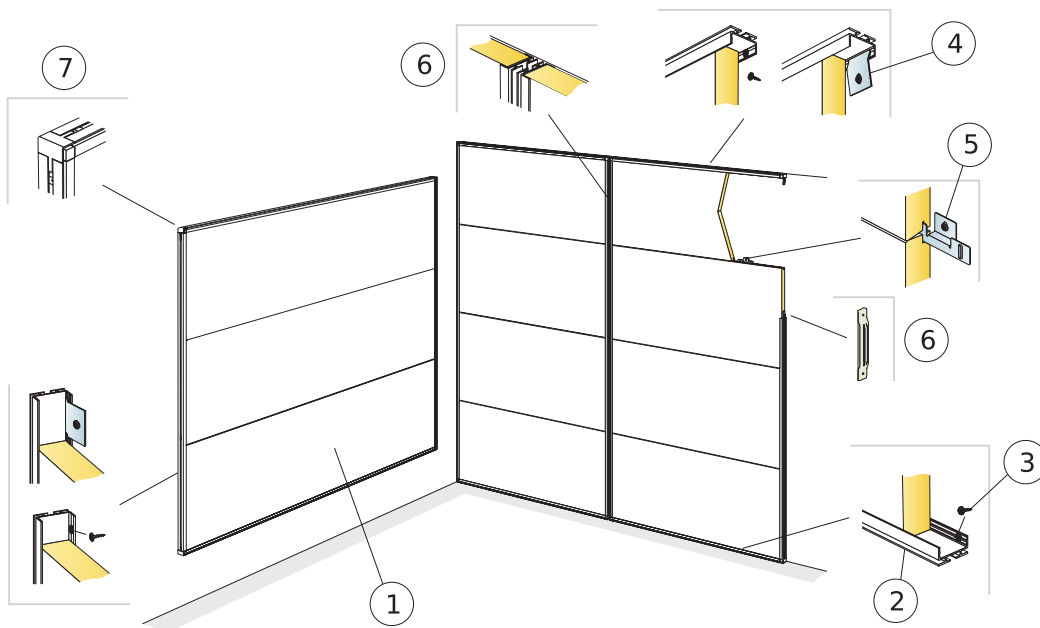


Detail of WP Profile splice

Size, mm	Max live load (N)	Min load bearing capacity (N)
2700x600x40	0	-

Live load/load bearing capacity

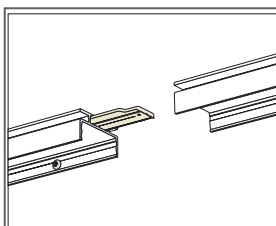
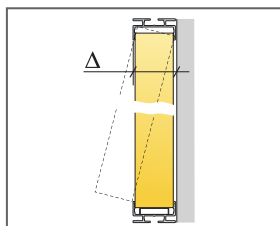
INSTALLATION DIAGRAM (M355) FOR ECOPHON AKUSTO WALL C HORIZONTAL INSTALLATION



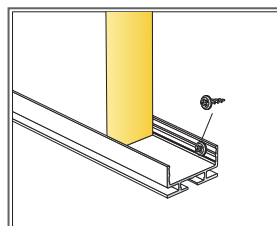
© Ecophon Group

QUANTITY SPECIFICATION (EXCL. WASTAGE)

		Size, mm
		2700x600
1	Akusto Wall C	0,62/m ²
2	Connect WP Profile, L=2687 mm, fixed at 400 mm centres	as required
3	Connect Installation screw MVL (for use in plasterboard or timber)	as required
4	Alt. Connect Fixing bracket, fixed at 400 mm centres.	as required
5	Connect Fixing Plate installed 3 per panel length	as required
6	Connect WP Profile splice, used to extend WP profiles where needed.	as required
7	Connect WP External corner mounted in Connect WP Profile	as required
Δ Min. overall depth of system: 44 mm		-



Detail of WP Profile splice

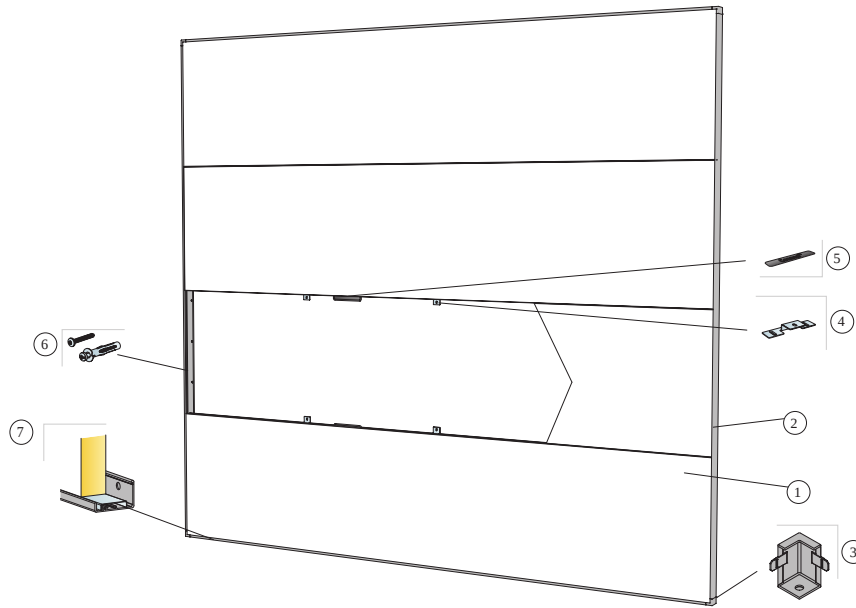


Detail of lower connection

Size, mm	Max live load (N)	Min load bearing capacity (N)
2700x600x40	0	-

Live load/load bearing capacity

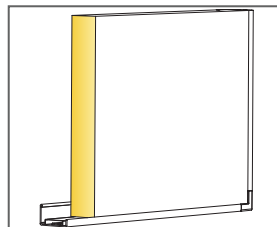
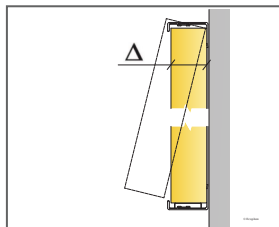
INSTALLATION DIAGRAM (M592) FOR ECOPHON AKUSTO WALL C HORIZONTAL INSTALLATION WITH CONNECT THINLINE PROFILES



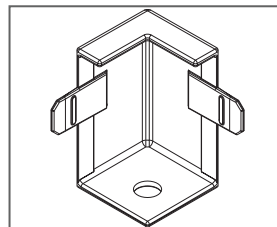
© Ecophon

QUANTITY SPECIFICATION (EXCL. WASTAGE)

	Size, mm
	2700x600
1 Akusto Wall C	0,62/m ²
2 Connect Thinline Profile, L=2658 mm	as required
3 Connect Thinline Corner	as required
4 Connect Fixing Plate installed 3 per panel length	as required
5 Connect Spline	as required
6 Installation screw, installed at 400 mm centres (select fastener according to wall material)	as required
7 Connect Thinline Space Bar	as required
Δ Overall depth of system: 45 mm	-



Detail of panel with Thinline frame



Detail of Thinline corner

Size, mm	Max live load (N)	Min load bearing capacity (N)
2700x600x40	-	-

Live load/load bearing capacity