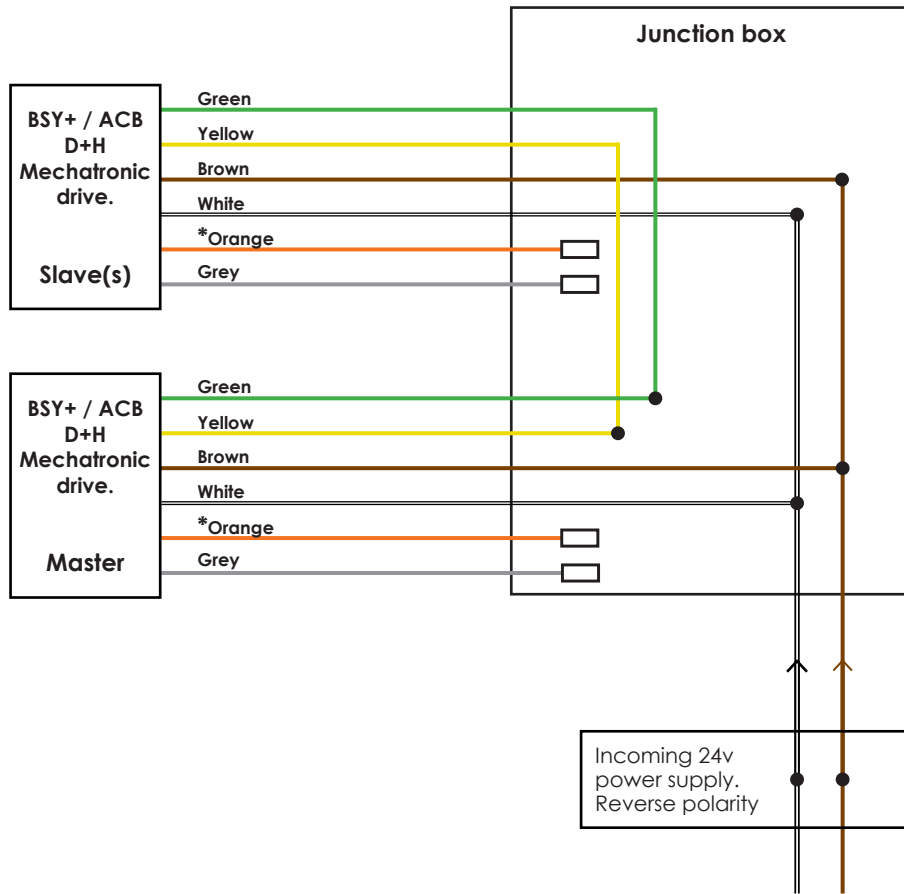


BSY+ / ACB 24v Drives Set Connections Guide



General information / configuration

A BSY+ / ACB Set always consists of one master and at least one slave drive. The master is always the highest number in the set, e.g. slave 1, master 2 ('S1', 'M2' for ACB drives).

- Only drives of the same model will function correctly together as a set, e.g. a KA **34**/600-BSY+ drive will not operate with a KA **54**/600-BSY+ drive.
- The drives will only operate together as a pair, individual drive operation is not possible.
- If the data communication (green & yellow cores) are not connected the drives will not operate.
- Both drives need to be provided power simultaneously (24v DC).
- For specific drive details including mounting onto the opening vent, see individual drive data sheets.

For smoke ventilation applications

* Connect orange cable for high speed use in smoke ventilation (SHEV) applications only.

For connections from a smoke ventilation control panel, see panel data sheet for end of line monitoring connections.