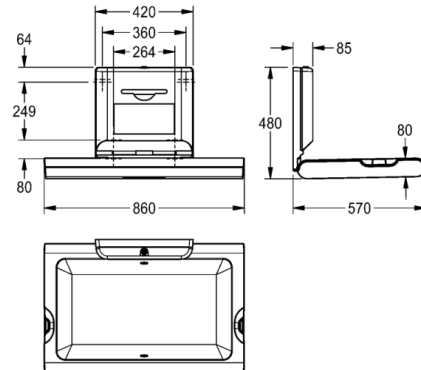


CAMBRINO horizontal baby changing table

MODEL RANGE: CAMBRINO | CAMB10HP | 204.0597.789

Baby changing tables | Baby change units



CAMBRINO horizontal baby changing table for wall mounting, made of polypropylene with antibacterial Biocote® protection, white colour, hinged, with integrated shock absorber for safe opening and closing, nylon safety belt and hooks on both sides, lockable dispenser for single-use paper covers in Interfold folding with maximum width 260 mm. Certified according to EN 12221-1 and EN 12221-2. Including mounting material and 80 single-use paper covers.

Dimensions when closed 860 x 565 x 100 mm (W x H x D)

Dimensions when open 860 x 480 x 570 mm (W x H x D)

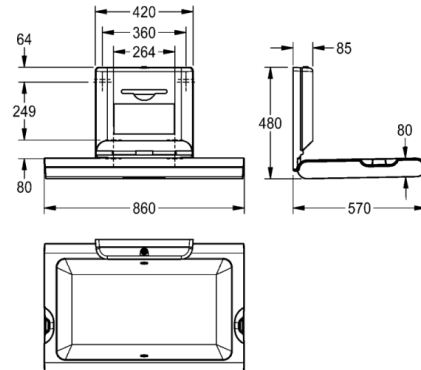
Technical data

Overall depth	100.00 mm
Overall height	565.00 mm
Overall width	860.00 mm
Material	Synthetic
Tailor made	No
Hinged	Yes
Surface material	SYNTHETIC
Product code	204.0597.789

CAMBRINO horizontal baby changing table

MODEL RANGE: CAMBRINO | CAMB11HS | 204.0580.888

Baby changing tables | Baby change units



CAMBRINO horizontal baby changing table for wall mounting, made of polypropylene with antibacterial Biocote® protection, white colour, front panel made of stainless steel, hinged, with integrated shock absorber for safe opening and closing, nylon safety belt and hooks on both sides, lockable dispenser for single-use paper covers in Interfold folding with maximum width 260 mm. Certified according to EN 12221-1 and EN 12221-2. Including mounting material and 80 single-use paper covers.

Dimensions when closed 860 x 565 x 100 mm (W x H x D)

Dimensions when open 860 x 480 x 570 mm (W x H x D)

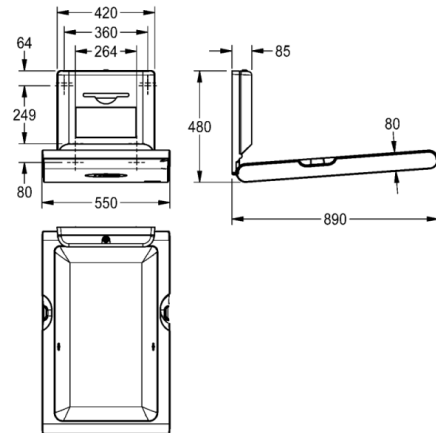
Technical data

Overall depth	100.00 mm
Overall height	565.00 mm
Overall width	860.00 mm
Material	Synthetic
Tailor made	No
Hinged	Yes
Surface material	SYNTHETIC
Product code	204.0580.888

CAMBRINO vertical baby changing table

MODEL RANGE: CAMBRINO | CAMB20VP | 204.0580.889

Baby changing tables | Baby change units



CAMBRINO vertical baby changing table for wall mounting, made of polypropylene with antibacterial Biocote® protection, white colour, hinged, with integrated shock absorber for safe opening and closing, nylon safety belt and hooks on both sides, lockable dispenser for single-use paper covers in Interfold folding with maximum width 260 mm. Certified according to EN 12221-1 and EN 12221-2. Including mounting material and 80 single-use paper covers.

Dimensions when closed 550 x 890 x 100 mm (W x H x D)

Dimensions when open 550 x 480 x 890 mm (W x H x D)

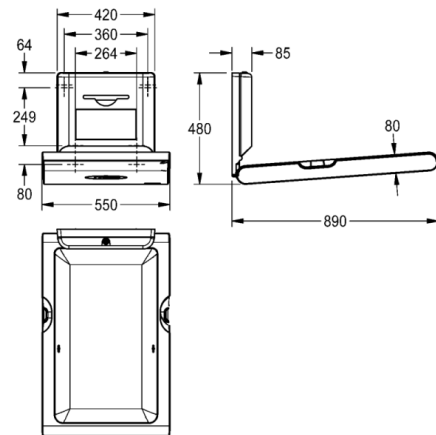
Technical data

Overall depth	100.00 mm
Overall height	890.00 mm
Overall width	550.00 mm
Material	Synthetic
Tailor made	No
Hinged	Yes
Surface material	SYNTHETIC
Product code	204.0580.889

CAMBRINO vertical baby changing table

MODEL RANGE: CAMBRINO | CAMB22VS | 204.0580.890

Baby changing tables | Baby change units



CAMBRINO vertical baby changing table for wall mounting, made of polypropylene with antibacterial Biocote® protection, white colour, front panel made of stainless steel, hinged, with integrated shock absorber for safe opening and closing, nylon safety belt and hooks on both sides, lockable dispenser for single-use paper covers in Interfold folding with maximum width 260 mm. Certified according to EN 12221-1 and EN 12221-2. Including mounting material and 80 single-use paper covers.

Dimensions when closed 550 x 890 x 100 mm (W x H x D)

Dimensions when open 550 x 480 x 890 mm (W x H x D)

Technical data

Overall depth	100.00 mm
Overall height	890.00 mm
Overall width	550.00 mm
Material	Synthetic
Tailor made	No
Hinged	Yes
Surface material	SYNTHETIC
Product code	204.0580.890