

A white Cibes S6 platform lift is positioned on a curved staircase. The lift has a flat platform and a control panel on top. The staircase has wooden treads and metal handrails. The background is a white wall with large, dark, stylized numbers '163'.

Cibes

S6

Cibes Stairlift

---

Platform lift for curved stairs

# CUSTOMISED FOR YOUR OFFICE, SCHOOL AND HOME



## Cibes S6 Specification

- Load: 225 kg. or 300 kg.
- Travel: From 0 to 50 degrees slope
- Speed: \*0,1 m/s (reduced in the curves)  
Driving motor: 300w 24V.
- Platform motor: 24 v.
- Barrier-arm motor: 24 V
- Electric supply: 1 phase 200-260V, AC max: 10A
- Supply: 1 phase 200-260V AC
- Lift: 24V DC
- Driving mechanism: Rack with overspeed governor.
- Construction: Steel and aluminium rails on the wall or on columns.

\*Speed is reduced by weight and slope.

## Remotes



Mounted remote for installation in column or masonry.



Handheld remote control



Mounted control box for mounting on column or wall.

## Cibes S6 Lift

The S6 Lift is for curved stairs and stairs with a landing, and for giving a total freedom on your stair. It is individually manufactured with regards to the stair's width and length. It is designed so it will fit into all buildings without essential alterations.

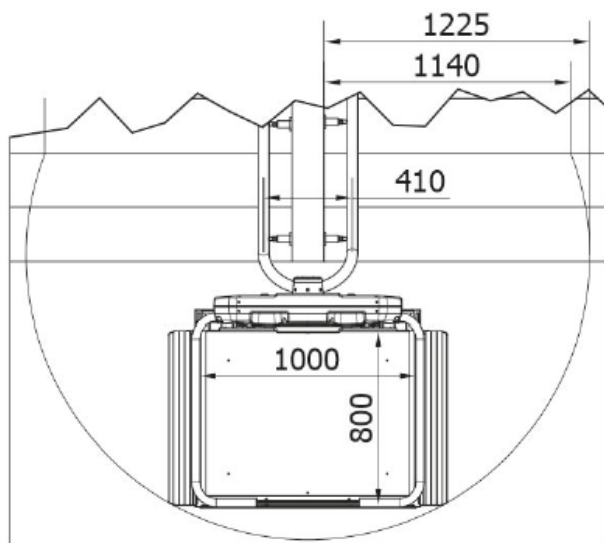
The S6 Lift has a new designed rail system in aluminium which looks like a bannister and therefore it fits easily into the existing surroundings. At the same time the lift and the rail system is designed in a way that makes them easy to reuse.

The S6 Lift drives in the stair's inner curve and can thus turn 90 and 180 degrees and drive across a landing. The lift is provided with safety arms and flaps on the front and back of the platform. The platform's flaps and bearing plate have an interrupting function at jamming danger.

The S6 Lift is battery driven so the risk for a power cut is removed and there are no ugly cables.

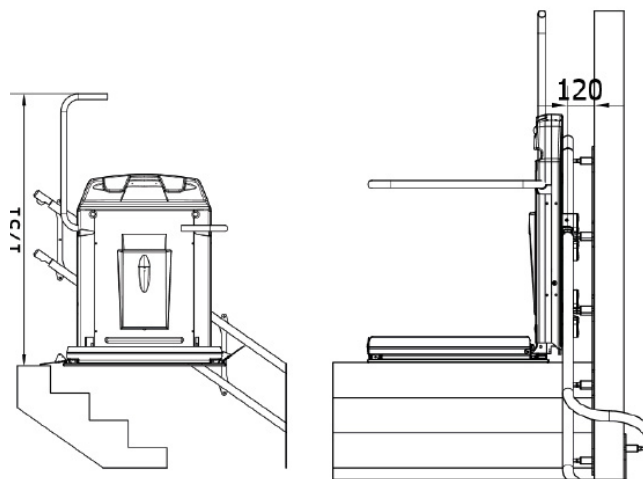
It is delivered as a fully automatic lift, where platform and safety arms are operated automatically.

This model can also be delivered with a remote control. The lift can be changed from right to left.



## Safety Details

- Over-speed governor and brake.
- Limit switch
- Weight sensor
- Manual emergency raising of platform arms
- Manual release mechanism
- Pressure sensitive surfaces that stops the lift when it runs into an obstacle.



## Dimensions

Rail: 50 mm

Width folded up: \*395 mm

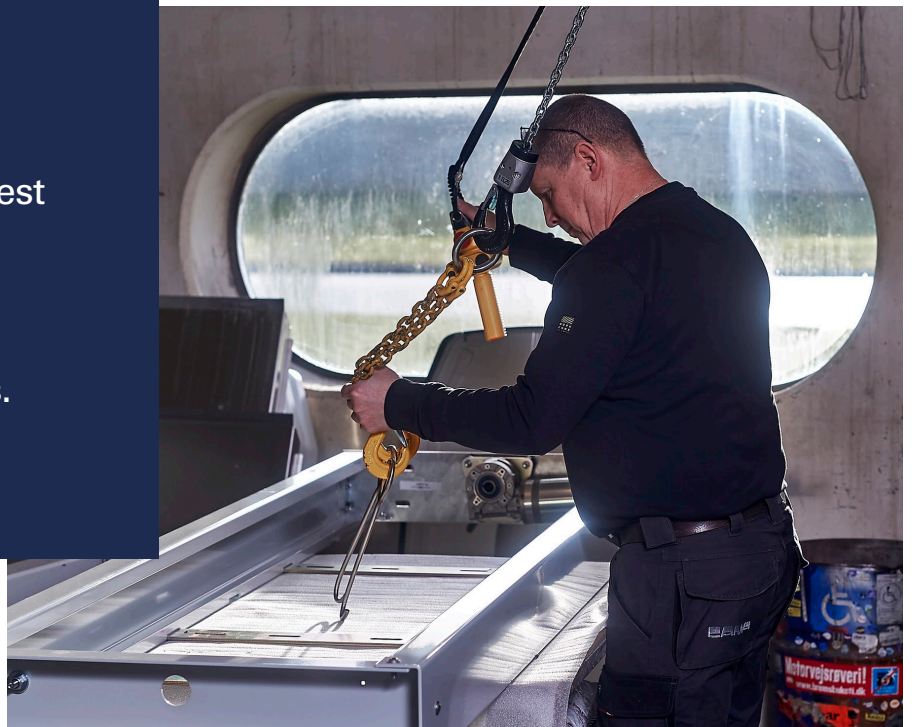
Width folded out: \*1130 mm

Platform standard size: 1000 x 800 mm

\*Standard platform wall mounted

The S6 Platform Lift is manufactured for Cibes by CAMA and is Denmark's largest and oldest manufacturer.

Cibes highly appreciates quality and design. The S6000 meets all expectations.



## MORE PRODUCTS FROM **CIBES LIFT UK**



A5000 External Lift



A5000 Eco Silent Lift

### Get in touch

t. 0800 085 0269

e. [info@cibeslift.co.uk](mailto:info@cibeslift.co.uk)

Find out more

[www.cibeslift.com/gb](http://www.cibeslift.com/gb)

Head Office | Chapel House |  
Loughborough | LE11 2AF

# Cibes

Bringing People Together