

Solinet[®]

Aluminium flashing systems



Content	page
Description of the system	3
Characteristics of Solinet	4 – 5
Sample specifications	6
Protection of roof covering upstands	
Solinet 15/40	7
Solinet series 10	8 – 9
Solinet series 20	10 – 11
Solinet series 50	12 – 13
Solinet 25/150	14
Solinet 160	15
Solinet Contour	16
Flat roofs with slabs on pads	
Solinet slab-support	17 – 19
Public works	
Solinet Special bridge and car park	20 – 21
Mechanical fixing of membranes	
Fixnet	22
Pitched roof coverings	
Solinet 70	23

Patented system. Registered trade marks and designs

*Examples of use are given for information purposes only.
In the catalogue, all measurements are given in mm.*

Solinet®

Description of the system

Solinet is the registered trade mark of aluminium flashing systems patented in France and abroad.

They are used in the following fields:

Protection of roof covering upstands

Solinet provides protection for roof covering upstands on flat roofs.

The Solinet range provides a solution to the various circumstances encountered (summary table page 5).

For compliant use of the system, the use of the accessories is essential (junction pieces, angle pieces, aluminium protection on a flat roof accessible to the public and Danivit stainless steel fixings).

Flat roofs with paving slab on supports

In the case of flat roofs with paving slab on supports, a Solinet slab-support provides dual use as protection for the roof covering skirtings and as a support for the paving slab on supports.

Public works

Solinet Special bridge and car park is a product especially designed to meet heavy stresses.

Mechanical fixing of membranes

Fixnet provides a mechanical fixing for membranes such as PVC, etc.

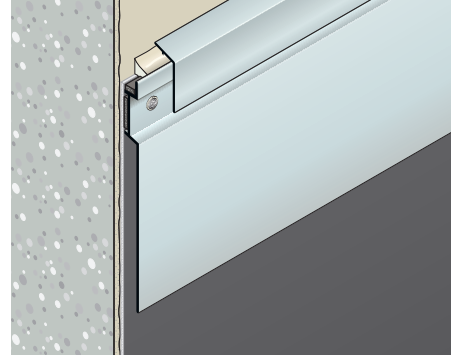
Pitched roof coverings

Solinet 70 has been designed for use on traditional pitched roofs.

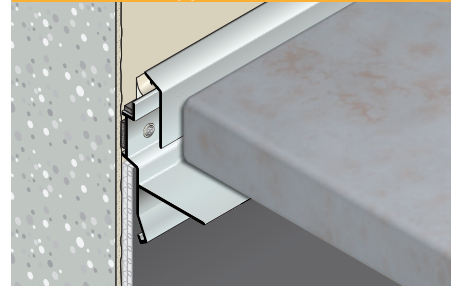
Solinet 15/40



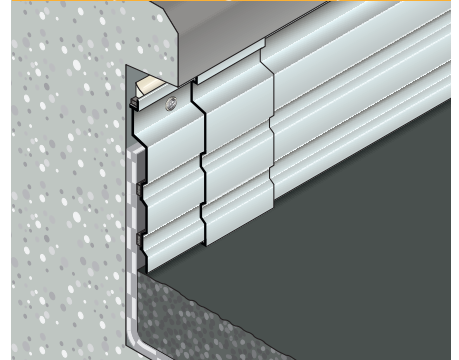
Solinet 10/110



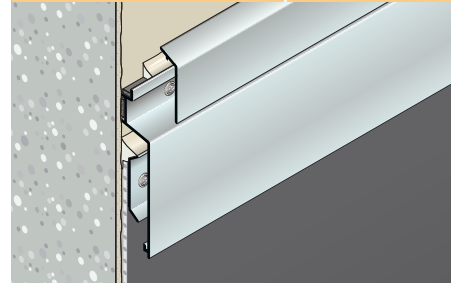
Solinet slab-support



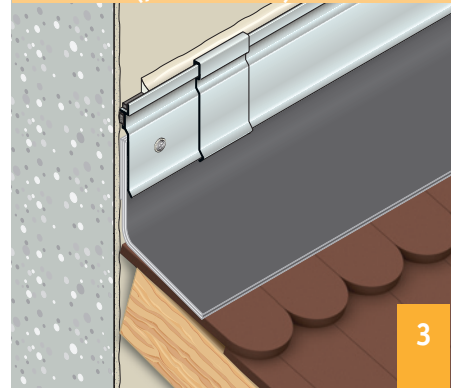
Solinet Special bridge and car park



Fixnet 50 with Solinet 20/100



Solinet 70 (pitched roofs)



Solinet

Solinet slab-support

Solinet Special bridge and car park

Fixing of membranes

Solinet pitched roofs

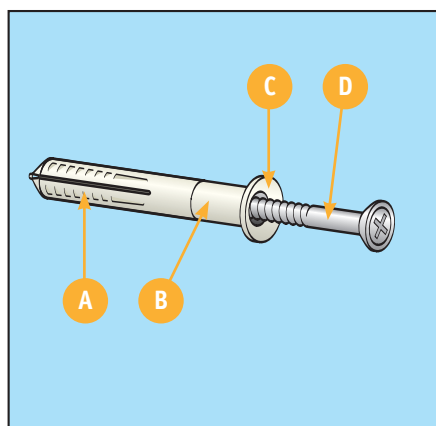
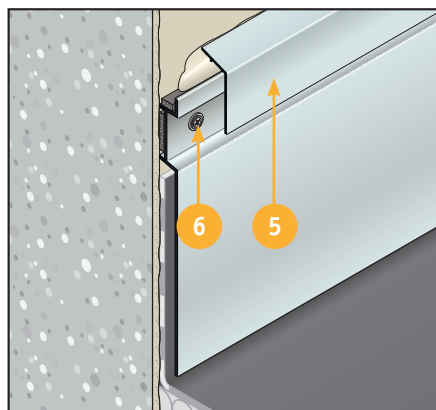
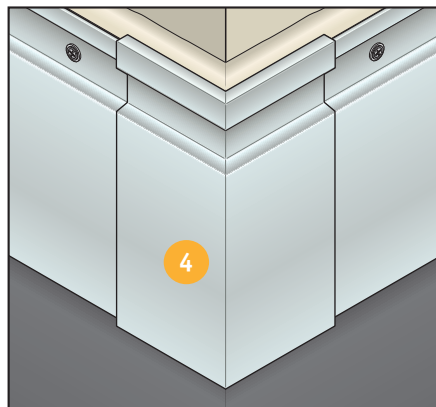
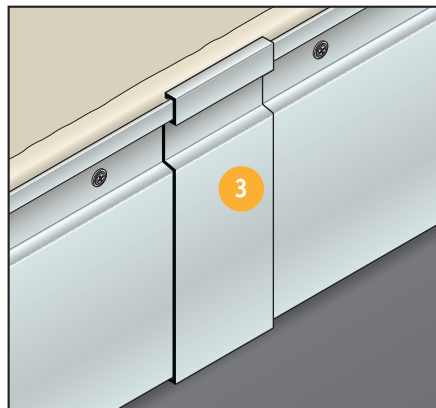
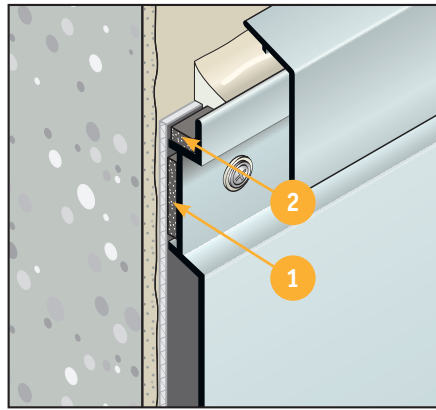
Solinet®

Characteristics of Solinet

- The profiles in the Solinet range are supplied in standard lengths of 3000 mm.
- They are pre-drilled in the factory every 300 mm.
- Each 3000 mm length carries dani alu's brand name as a mark of guarantee.

The available finishes are :

- Mill finish aluminium: non-treated aluminium, reflective appearance, turning matt over time
- Danilac powder-coated aluminium to any RAL colour



1) The foam at the rear makes good any irregularities and forms a barrier between the roof covering and the gun-applied sealant.

2) Adequate throat with joint backing, allowing the gun-applied sealant to move in three dimensions.

3) Junction sleeves, providing a perfect alignment between units and an effective joint overlap, while leaving an appropriate tolerance for expansion.

4) Angle sleeves, avoid mitres cutting, reduce fixings and provide a high-quality, watertight finish.

5) Aluminium protective cover protects the fixing from the weather, as well as the gun-applied sealant from UV and provides an attractive finish. It is mandatory on a flat roof top accessible to the public.

6) Danivit fixing for solid concrete that can be unscrewed in the event of dismantling.

Danivit stainless steel 6 x 40 mm

- A) Plastic plug expansion zone
- B) Compressible section
- C) Collar, acts as a support washer
- D) Expanding unit – stainless steel bolt with cross-head for dismantling

How to choose the right pattern

The questions to be asked are:

- Under what circumstances am I? Have I properly analysed my problem? In the event of doubt, call us.
- Under what accessibility conditions am I?
- Does the work include a lot of angles to be dealt with, curved sections?
- In what climate zone is the site located?
- What overlap or visible height do I need?
- Have I received the technical supervisor's approval of the pattern of Solinet proposed?
- Does the roof covering upstand include insulation?
- If yes, what thickness?

Summary table of Solinet

Solinet pattern				Classes of accessibility						Ref. catalogue page
	Projection mm	Overlap mm	Visible height mm	Ease of bending	Inaccessible or technical platforms	Accessible private	Accessible public (+ aluminium protection)	Car Park	Green roof or garden	
15/40	15	40	73		●	●			●	7
10/50	10	50	87	●	●	●			●	8
10/110	10	110	147	●	●	●	●		●	8
20/60	20	60	100		●	●			●	10
20/100	20	100	140		●	●	●		●	10
25/150	25	150	183		●	●	●		●	12
15/50	15	50	88		●	●			●	13
40/50	40	50	92		●	●	●		●	13
60/50	60	50	100		●	●	●		●	13
100/50	100	50	100		●	●	●		●	13
160/50 NEW !	160	50	115		●	●	●		●	13
160	15	120	159		●	●	●		●	15
Contour	10	Varies		●	●	●				16
Slab-support	11	40	77		●	●	●		●	17
Special bridge and car park	12	110	145			●	●	●		20

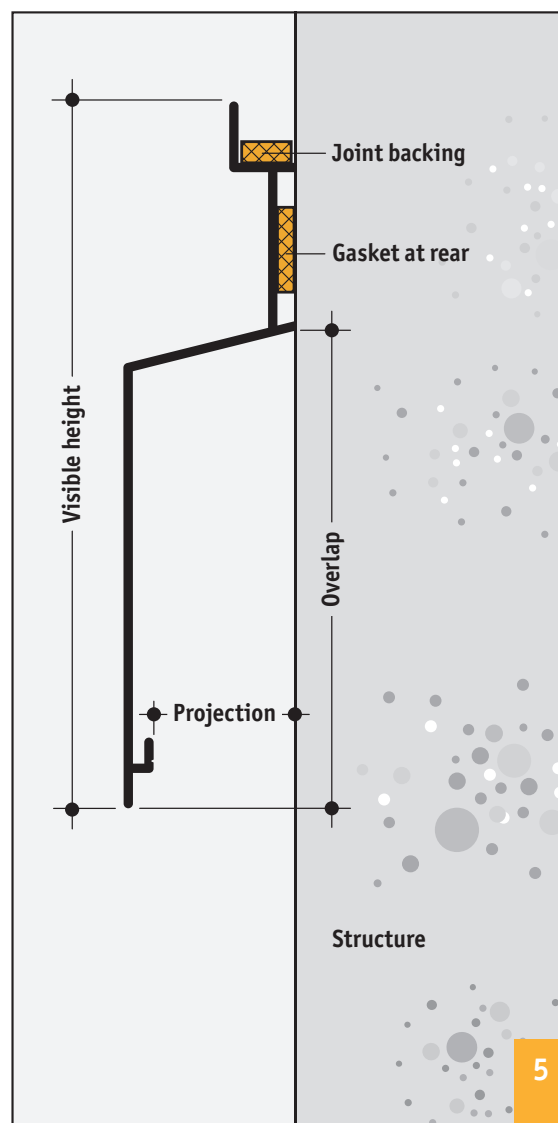


Section through a Solinet with a double seal at the head



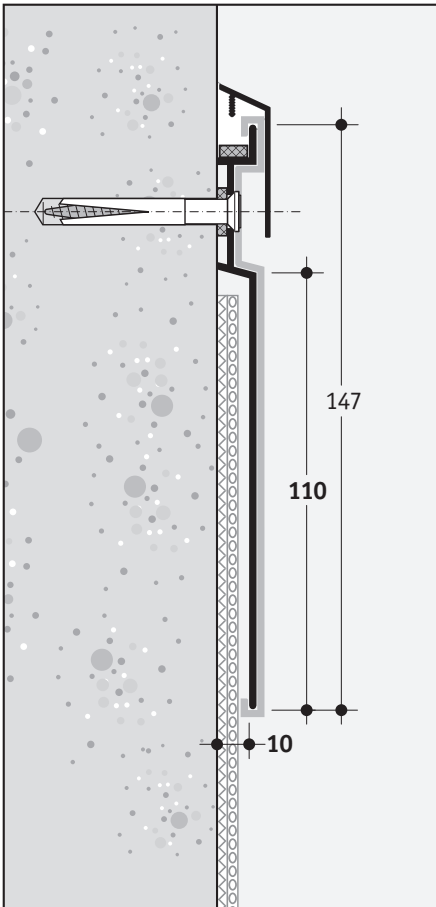
An obvious idea

This special joint backing allows the sealant to retain all of its elasticity over time, containing expansion and thus avoiding cracking by torsion.



Solinet®

Sample specifications



Solinet® 10/110

Inaccessible flat roof or technical platforms, accessible private and public location, green roof or garden

Extruded aluminium strip flashing with square-throat and double seal at the head, as manufactured by dani alu (Tel. +33(0)4 78 87 12 48), or technically equivalent.

Pattern:

Solinet 10/110 for inaccessible flat roof or technical platforms (aluminium protection recommended in a public location), green roof or garden, comprising:

- pre-drilled extruded profile;
- with a square throat;
- and provided with **2 factory-prefixed gaskets:**
 - a joint backing in the throat to counter the expansion of the sealant, it prevents drying out and premature cracking;
 - a joint at the rear to compensate for irregularities in the masonry background, acts as a support for the joint sealant.

Overlap 110 mm – projection 10 mm.

The angle and junction accessories shall be factory-prefabricated; they shall be made as sleeves, in order to guarantee proper waterproofing of the connection. (Accessories bent on site, soffit plates or internal half-connections will not be accepted).

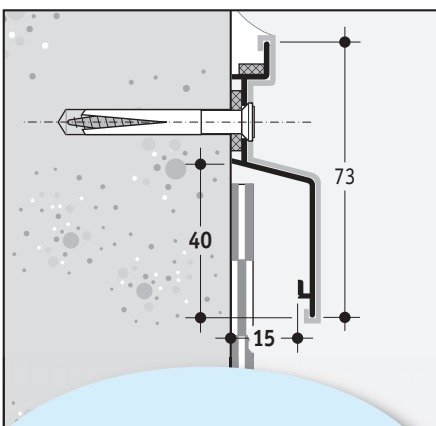
Surface treatment: (select from these 2 possibilities)

Mill finish aluminium:

(non-treated aluminium. Reflective appearance, becoming matt over time)

Powder-coated aluminium in any colour:

(powder-coated aluminium in any colour from the Danilac RAL range).



Solinet® 15/40

Inaccessible flat roof or technical platforms, accessible private location, green roof or garden

Extruded aluminium strip flashing with square-throat and double seal at the head, as manufactured by dani alu (Tel. +33(0)4 78 87 12 48), or technically equivalent.

Pattern:

Solinet 15/40 for inaccessible flat roof or technical platforms, accessible private location, green roof or garden, comprising:

- pre-drilled extruded profile;
- with a square throat;
- and provided with **2 factory-prefixed gaskets:**
 - a joint backing in the throat to counter the expansion of the sealant, it prevents drying out and premature cracking;
 - a joint at the rear to compensate for irregularities in the masonry background, acts as a support for the joint sealant.

Overlap 40 mm – projection 15 mm.

The angle and junction accessories shall be factory-prefabricated; they shall be made as sleeves, in order to guarantee proper waterproofing of the connection. (Accessories bent on site, soffit plates or internal half-connections will not be accepted).

Surface treatment: (select from these 2 possibilities)

Mill finish aluminium:

(non-treated aluminium. Reflective appearance, becoming matt over time)

Powder-coated aluminium in any colour:

(powder-coated aluminium in any colour from the Danilac RAL range).

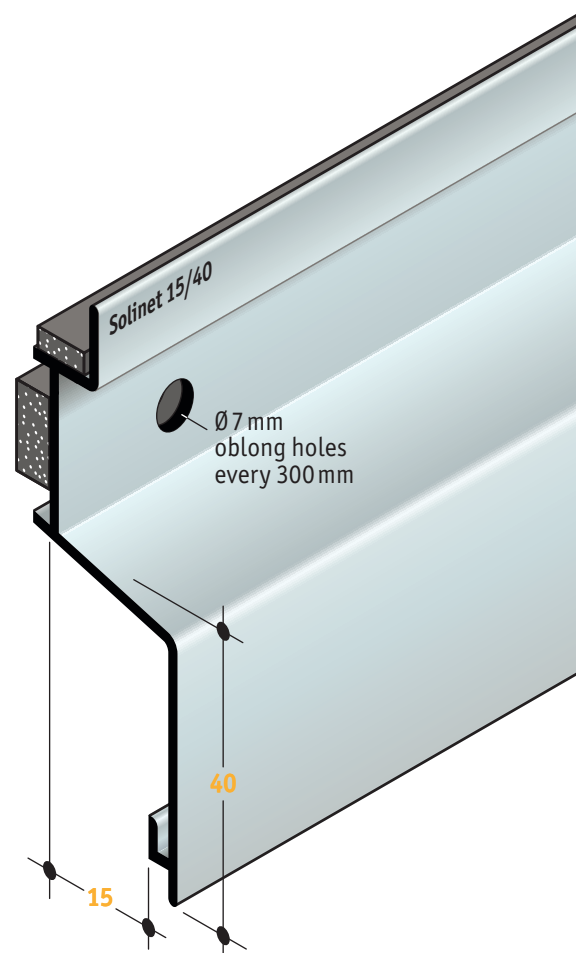
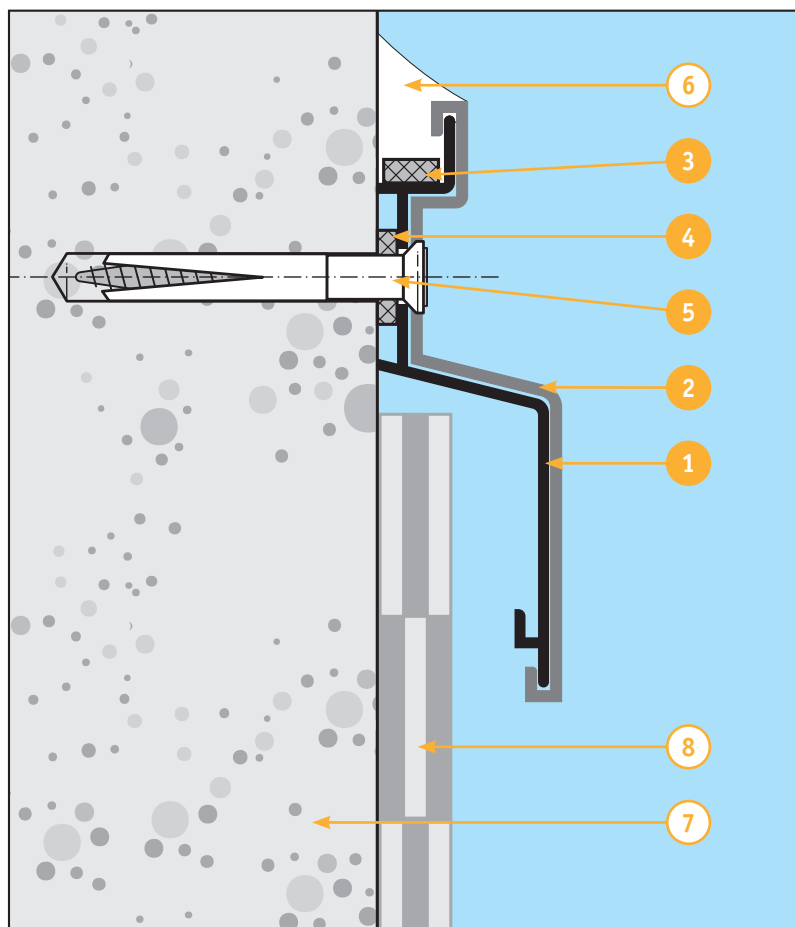
Download the typical sections
and specification clauses
you need for your project from
www.danialu.com



Solinet® 15/40

Solinet 15/40:

- inaccessible flat roof or technical platforms;
- private accessible flat roof;
- green roof or garden



Example of use

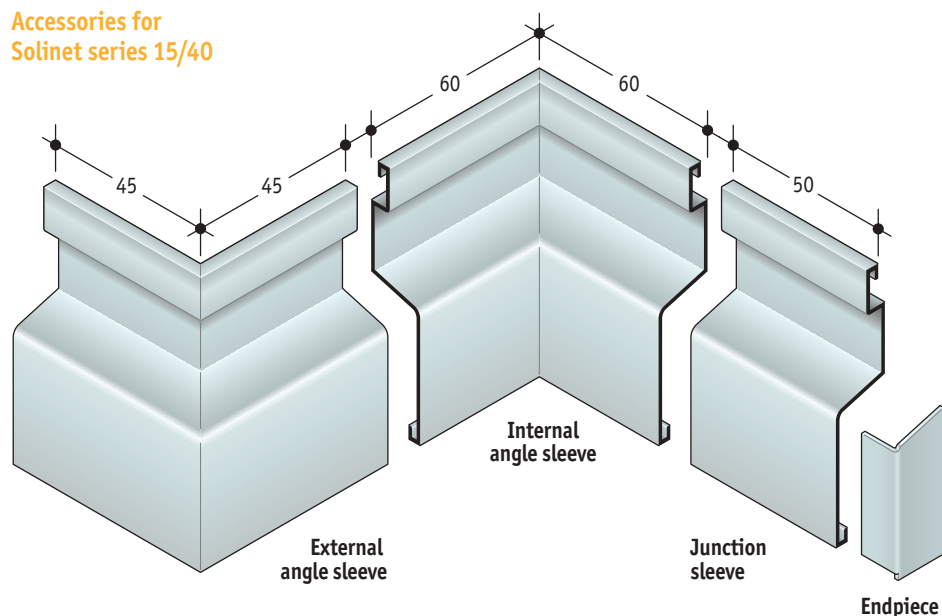
Solinet 15/40

As a replacement for zinc or galvanised strips and concrete fillets

Scale: 1:1

- 1 Solinet 15/40
- 2 Junction sleeve
- 3 Joint backing
- 4 Gasket at rear
- 5 Danivit stainless steel fixing \varnothing 6
- 6 Silicone sealant
- 7 Structure
- 8 Roof covering skirting

Accessories for Solinet series 15/40



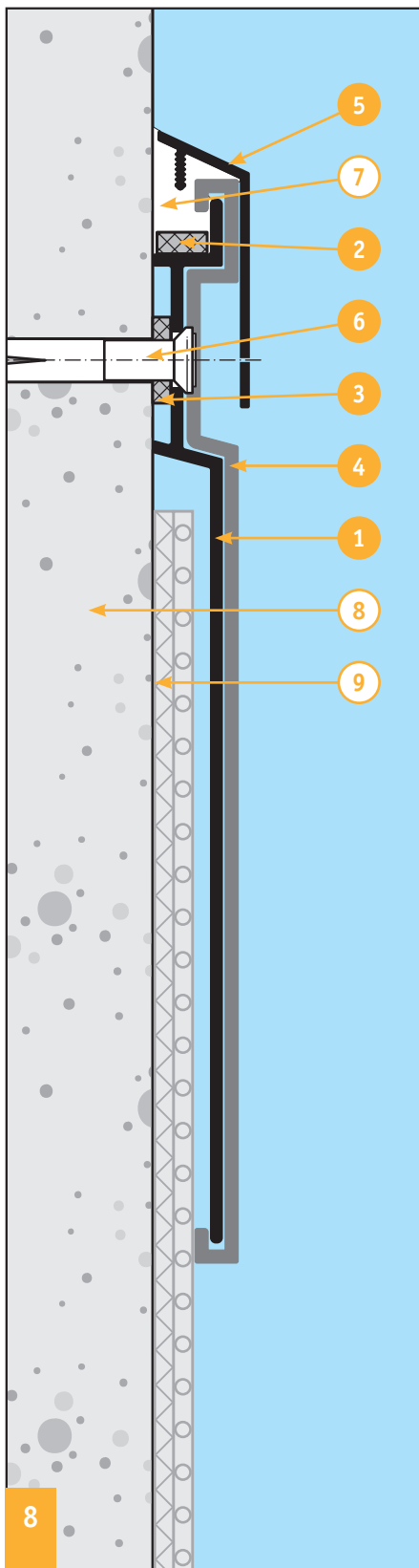
Solinet® series 10

Solinet 10/50

- inaccessible flat roof or technical platforms
- private accessible flat roof
- green roof or garden
- bendable (if undrilled)

Solinet 10/110

- inaccessible flat roof or technical platforms
- private accessible flat roof
- green roof or garden
- public accessible flat roof (with aluminium protection)
- bendable (if undrilled)

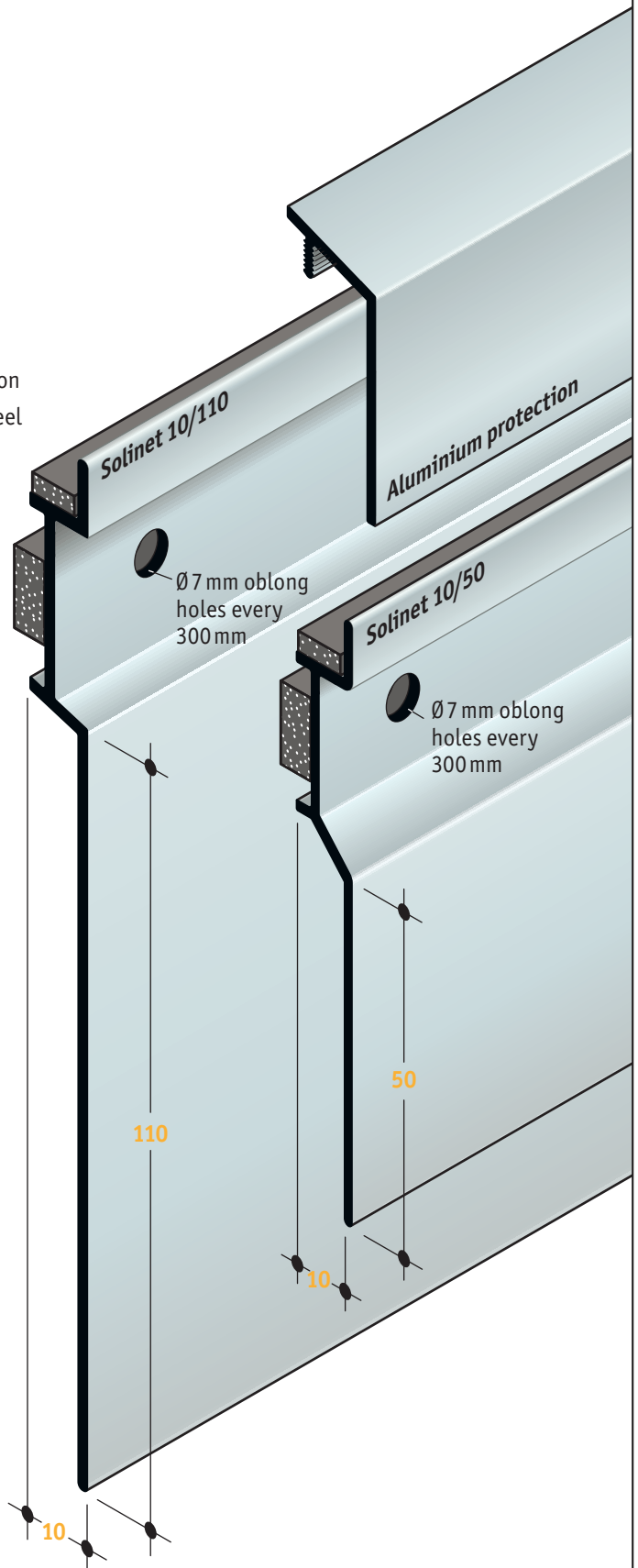


Example of use

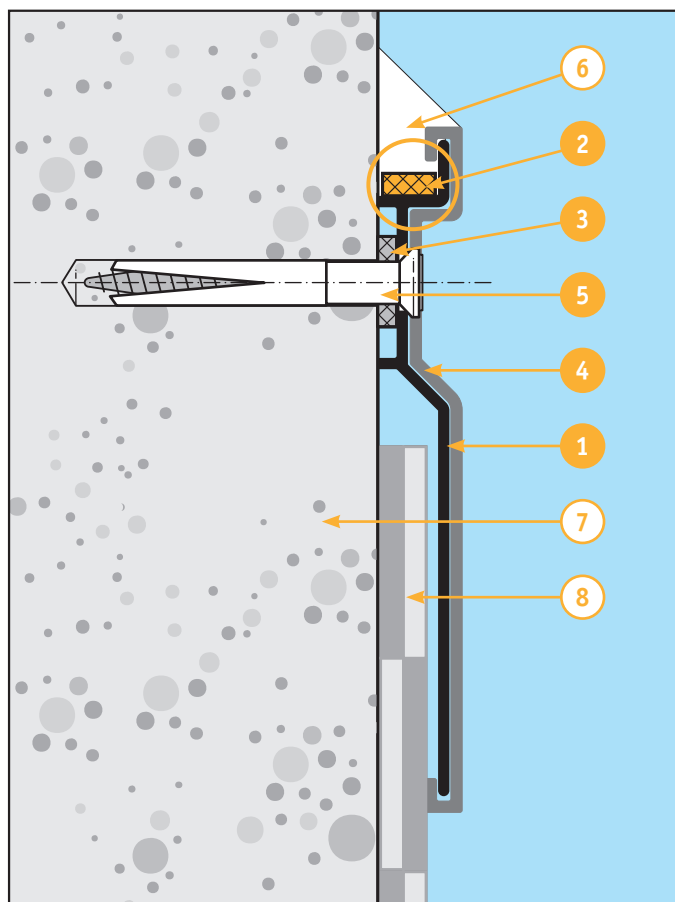
Solinet 10/110

Scale: 1:1

- 1 Solinet 10/110
- 2 Joint backing*
- 3 Gasket at rear
- 4 Junction sleeve
- 5 Aluminium protection
- 6 Danivit stainless steel fixing \varnothing 6
- 7 Silicone sealant
- 8 Structure
- 9 Flat roof covering



Solinet® series 10



An obvious idea

*This special joint backing allows the sealant to retain all of its elasticity over time, containing expansion and thus avoiding cracking by torsion.

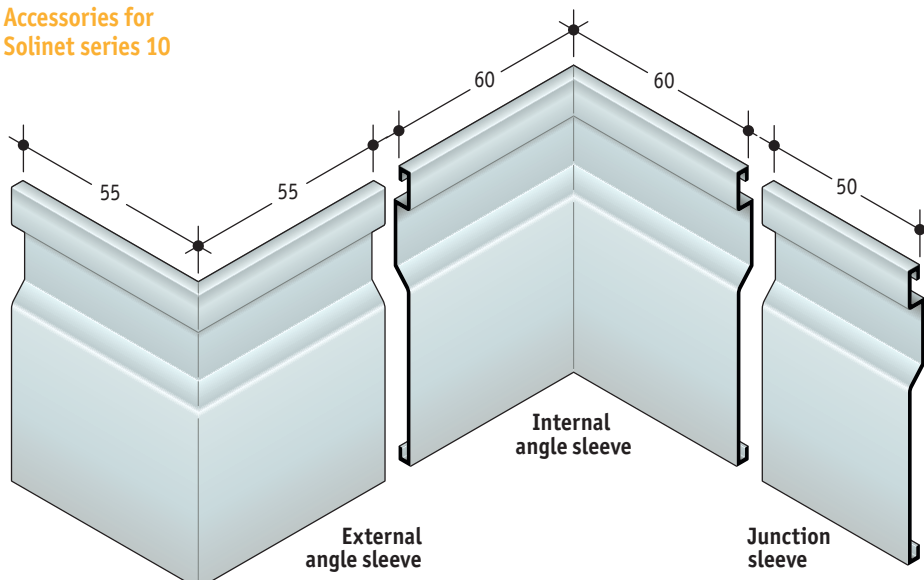
Example of use

Solinet 10/50

Scale: 1:1

- 1 Solinet 10/50
- 2 Joint backing*
- 3 Gasket at rear
- 4 Junction sleeve
- 5 Danivit stainless steel fixing \varnothing 6
- 6 Silicone sealant
- 7 Structure
- 8 Roof covering skirting

Accessories for Solinet series 10



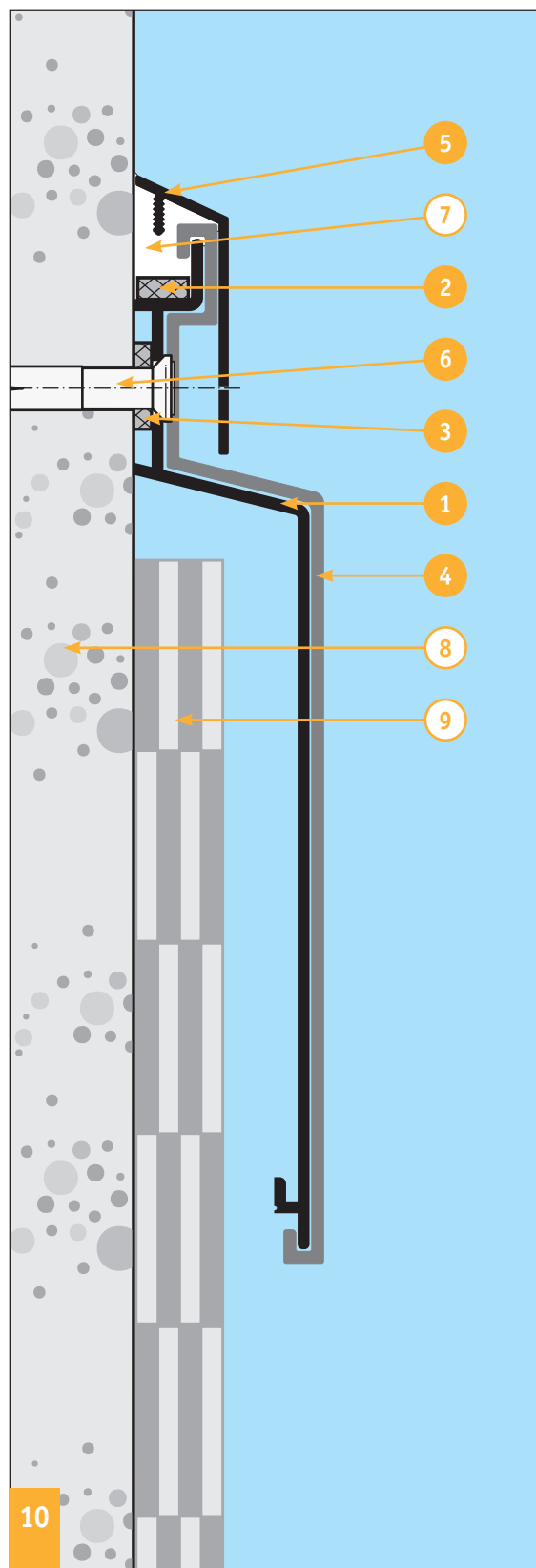
Solinet® series 20

Solinet 20/60

- inaccessible flat roof or technical platforms
- private accessible flat roof
- green roof or garden

Solinet 20/100

- inaccessible flat roof or technical platforms
- private accessible flat roof
- public accessible flat roof (with aluminium protection)
- green roof or garden

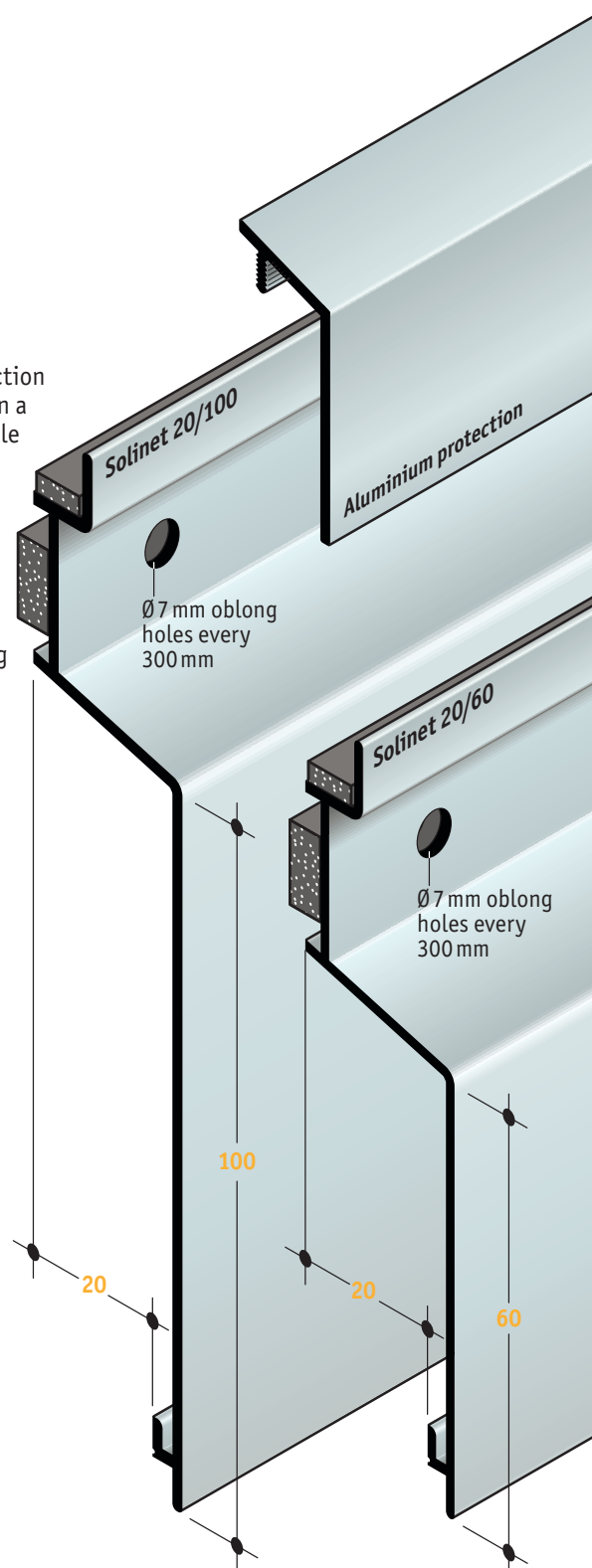


Example of use

Solinet 20/100

Scale: 1:1

- 1 Solinet 20/100
- 2 Joint backing
- 3 Gasket at rear
- 4 Junction sleeve
- 5 Aluminium protection (recommended on a flat roof accessible to the public)
- 6 Danivit stainless steel fixing $\varnothing 6$
- 7 Silicone sealant
- 8 Structure
- 9 Flat roof covering



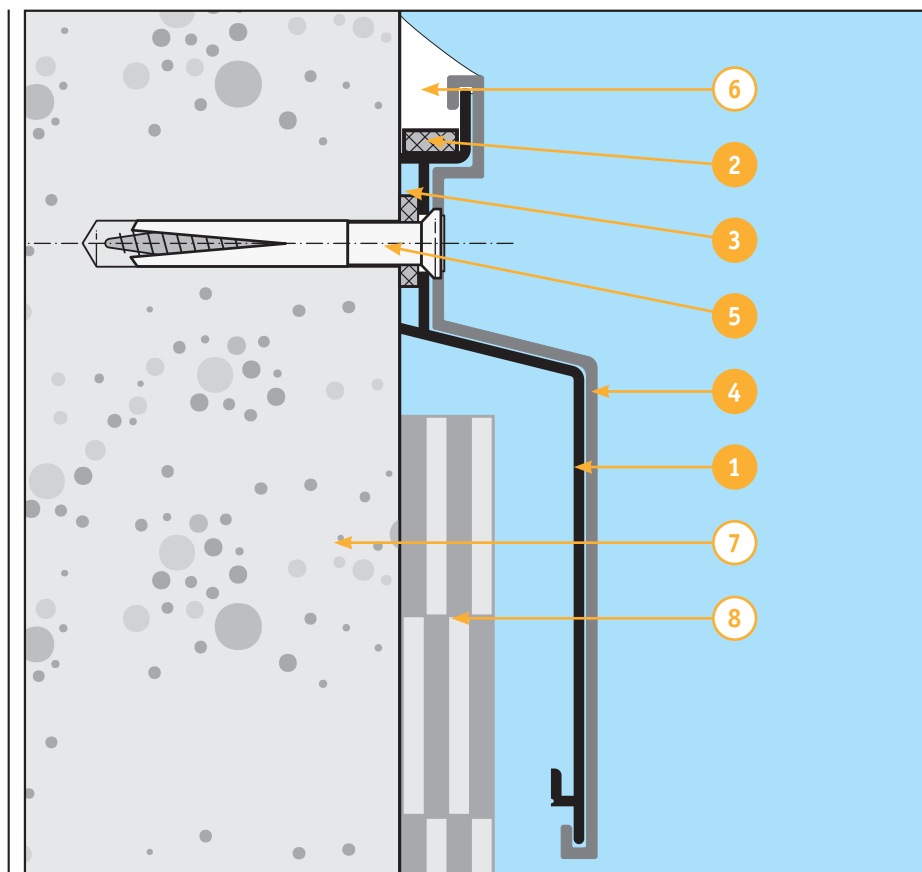
Solinet® series 20

Example of use

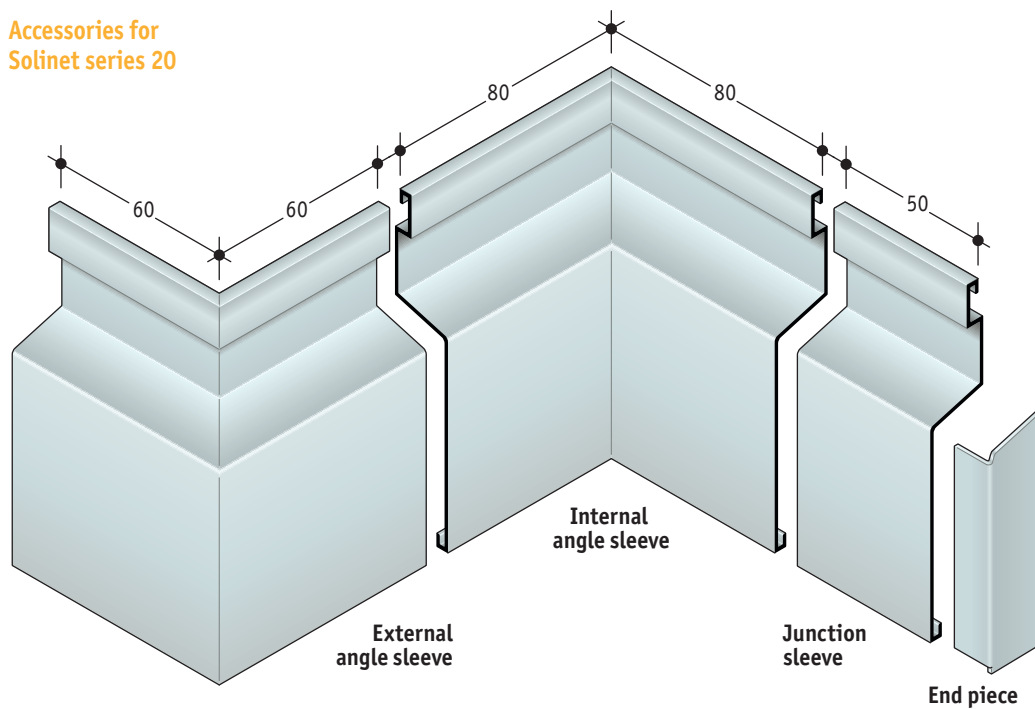
Solinet 20/60

Scale: 1:1

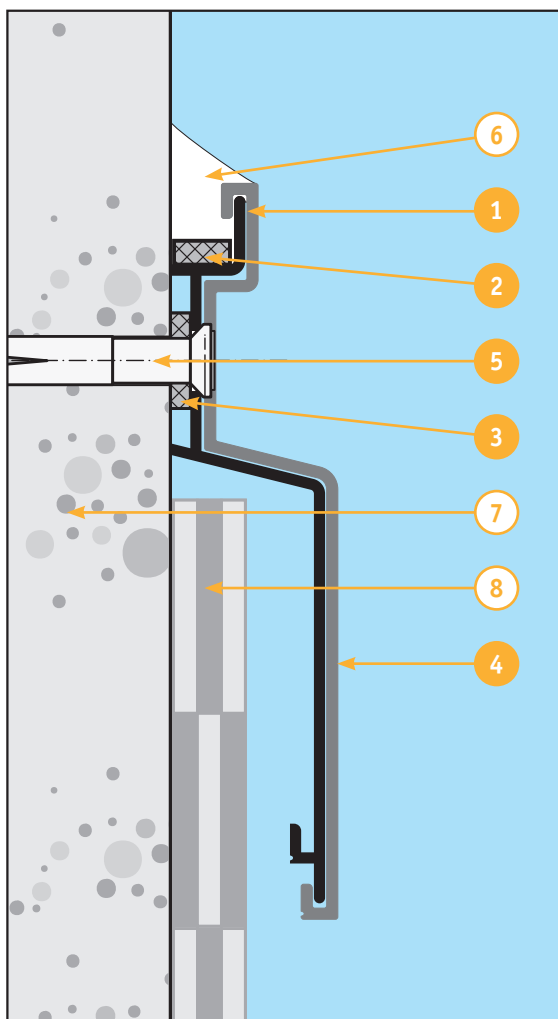
- 1 Solinet 20/60
- 2 Joint backing
- 3 Gasket at rear
- 4 Junction sleeve
- 5 Danivit stainless steel fixing Ø 6
- 6 Silicone sealant
- 7 Structure
- 8 Flat roof covering



Accessories for Solinet series 20



Solinet® series 50



Example of use

Solinet 15/50

Scale: 1:1.25

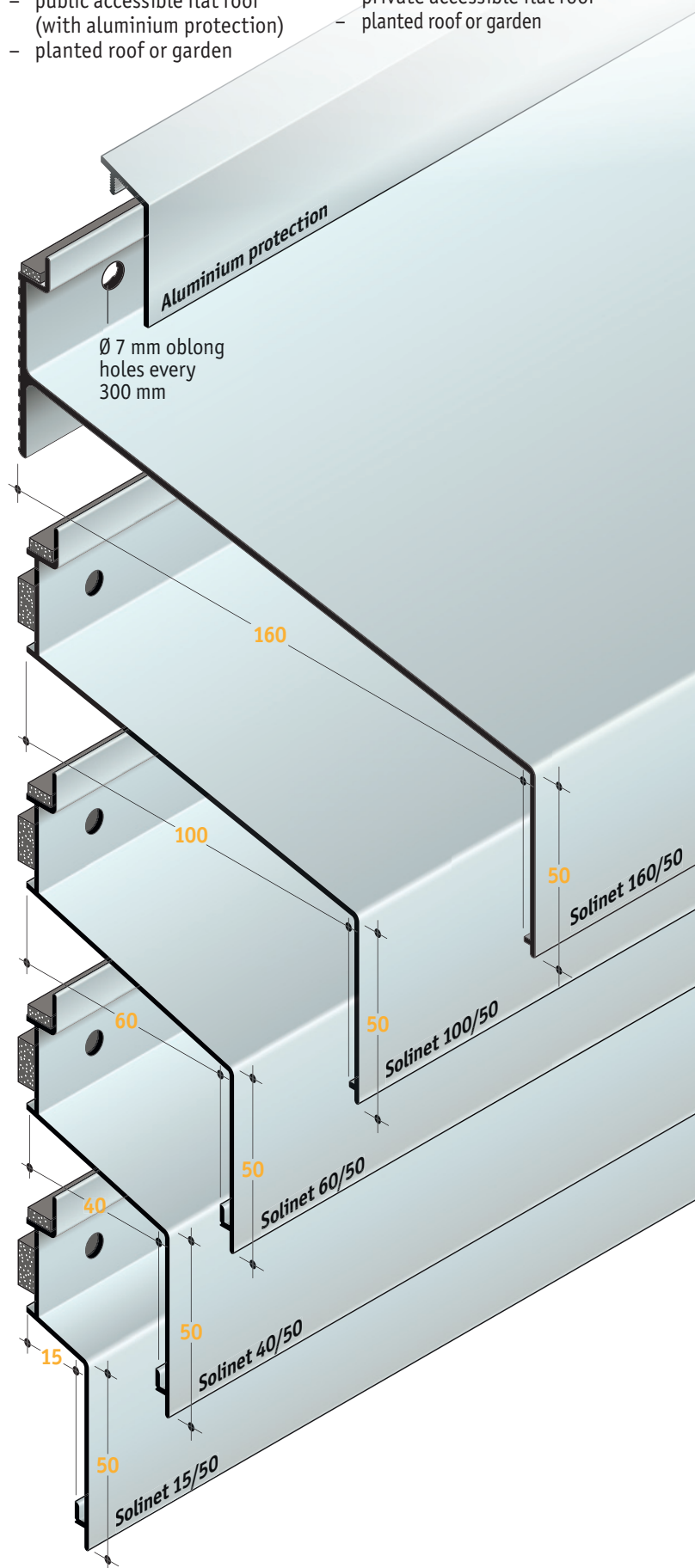
- 1 Solinet 15/50
- 2 Joint backing
- 3 Gasket at rear
- 4 Junction sleeve
- 5 Danivit stainless steel fixing Ø 6
- 6 Silicone sealant
- 7 Structure
- 8 Flat roof covering

Solinet 40/50 Solinet 60/50 Solinet 160/50

- inaccessible flat roof or technical platforms
- public accessible flat roof (with aluminium protection)
- planted roof or garden

Solinet 15/50

- inaccessible flat roof or technical platforms
- private accessible flat roof
- planted roof or garden



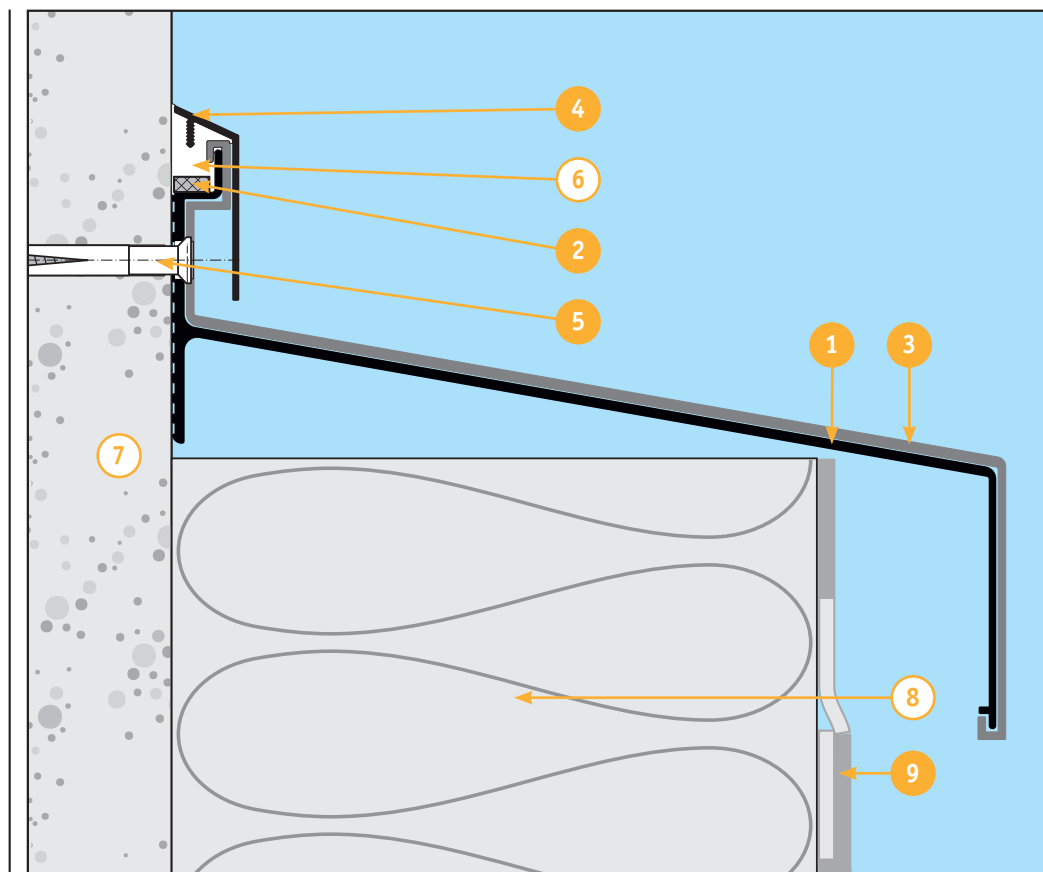
Solinet® series 50

Example of use

Solinet 100/50

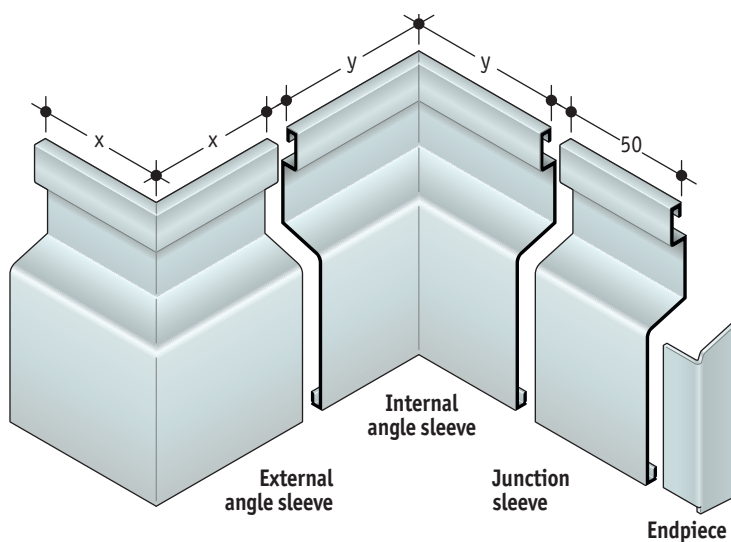
Scale: 1:1.25

- 1 Solinet 100/50
- 2 Joint backing
- 3 Gasket at rear
- 4 Junction sleeve
- 5 Aluminium protection
- 6 Danivit stainless steel fixing $\varnothing 6$
- 7 Silicone sealant
- 8 Structure
- 9 Insulation
- 10 Flat roof covering



Accessories for Solinet series 50

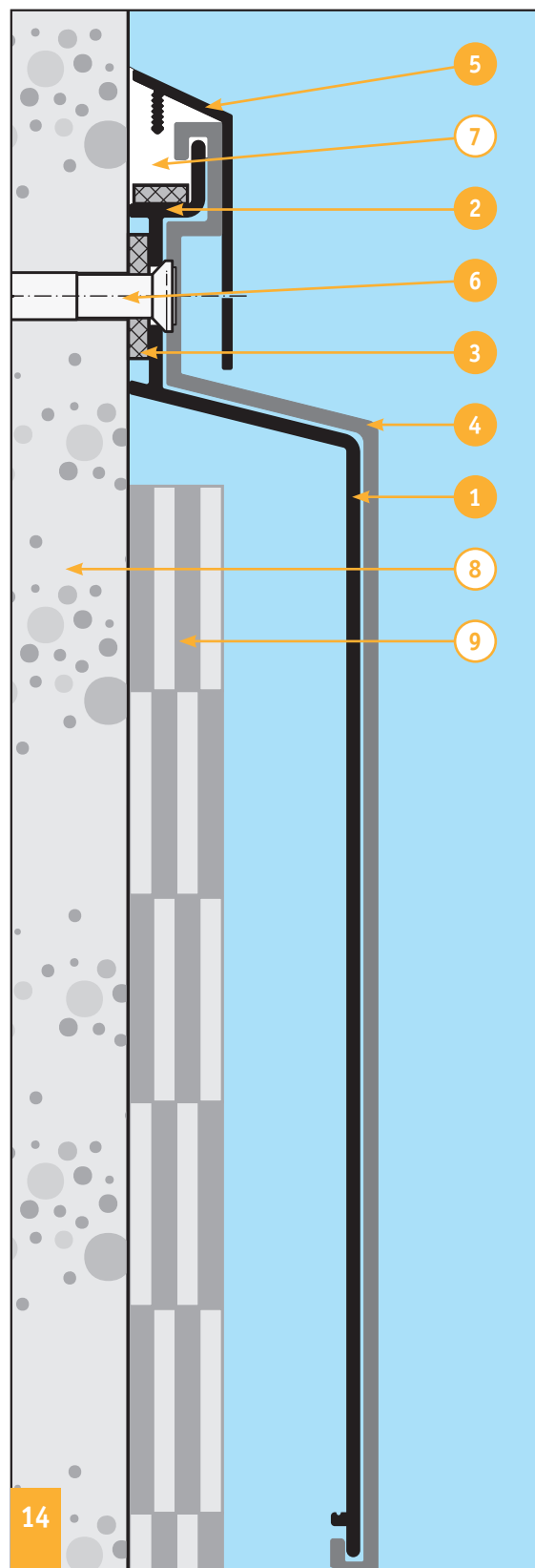
Size of angles	external measure "X"	internal measure "Y"
Solinet 15/50	45 mm	60 mm
Solinet 40/50	45 mm	100 mm
Solinet 60/50	60 mm	120 mm
Solinet 100/50	80 mm	180 mm
Solinet 160/50	80 mm	240 mm



Solinet® 25/150

Solinet 25/150:

- inaccessible flat roof or technical platforms
- private accessible flat roof
- public accessible flat roof (with aluminium protection);
- green roof or garden



Example of use

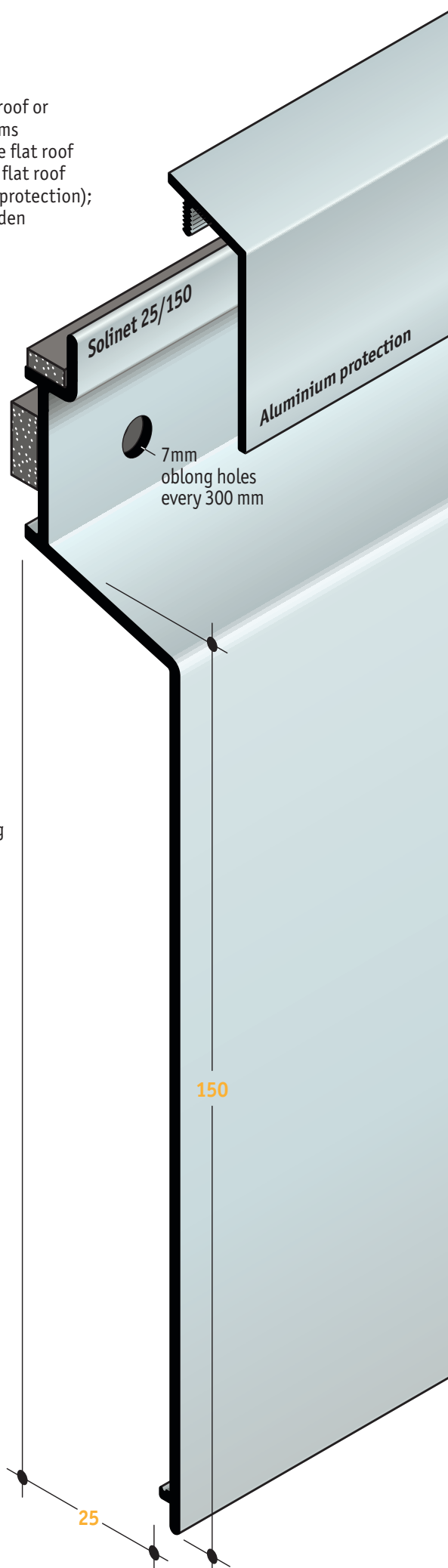
Solinet 25/150

Scale: 1:1

- 1 Solinet 25/150
- 2 Joint backing
- 3 Gasket at rear
- 4 Junction sleeve
- 5 Aluminium protection (mandatory on a flat roof accessible to the public)
- 6 Danivit stainless steel fixing $\varnothing 6$
- 7 Silicone sealant
- 8 Structure
- 9 Flat roof covering

Accessories :

- junction sleeve (50 mm)
- external angle sleeve (55 x 55 mm)
- internal angle sleeve (100 x 100 mm)
- end piece

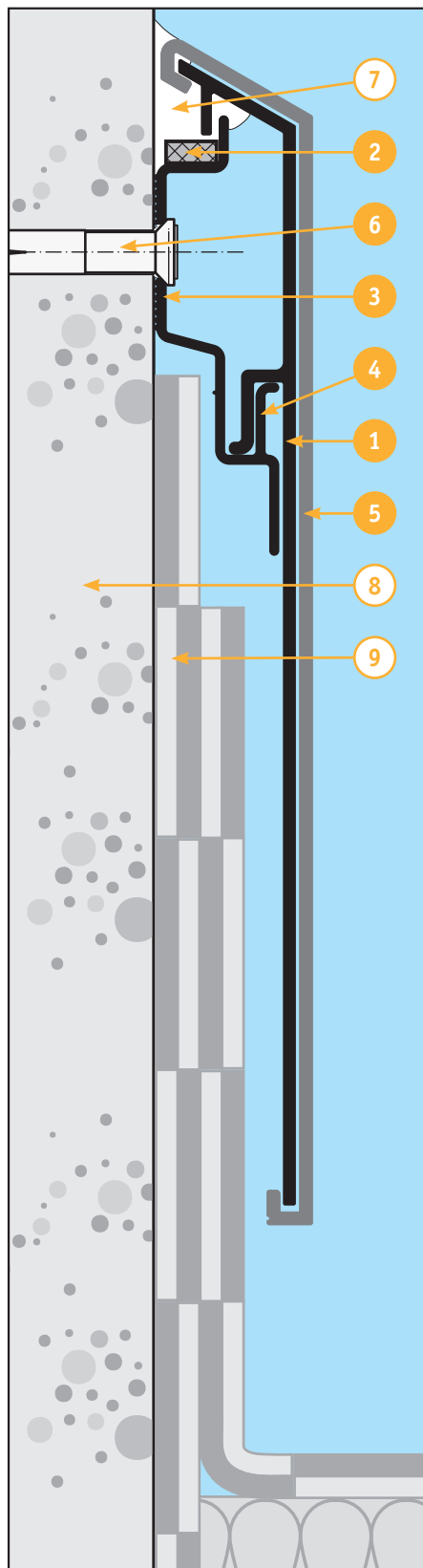


Solinet® 160

Overlap skirting

Solinet 160:

- inaccessible flat roof or technical platforms
- private accessible flat roof
- public accessible flat roof
- green roof or garden



Solinet 160 overlap skirting, patented in France and abroad, provides protection without contact with the roof-covering upstands, non-visible fixings and waterproofing are sheltered from adverse weather and UV, free expansion of the overlap profile and a new attractive appearance.

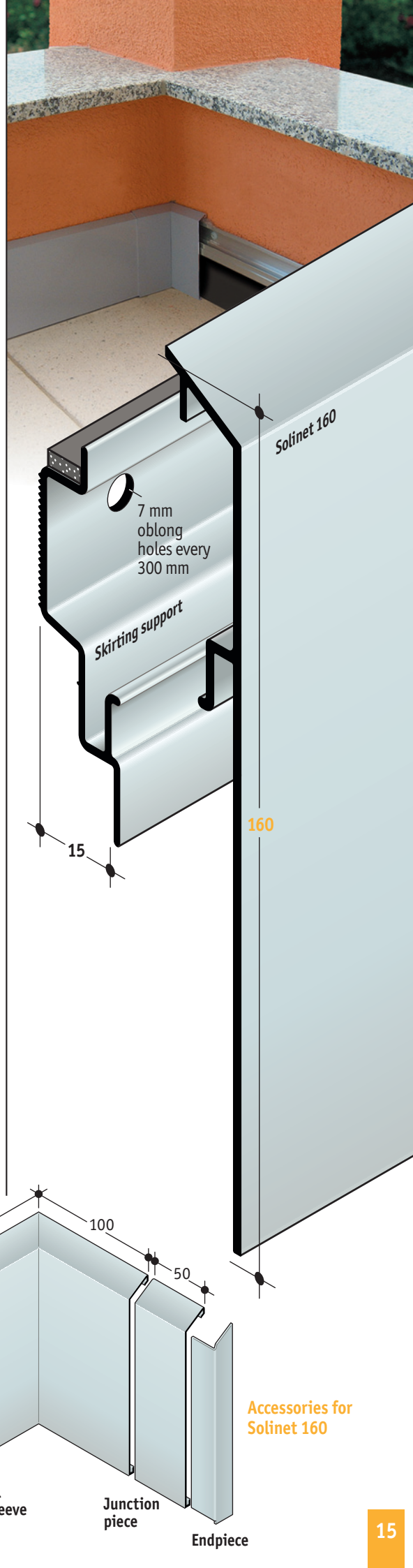
This skirting is particularly suitable for accessible flat roofs or areas of traffic, where an attractive appearance and safety are required.

Example of use

Solinet 160

Scale: 1:1

- 1 Solinet 160
- 2 Joint backing
- 3 Skirting support and weatherproofing profile
- 4 System to allow the skirting to clip on and slide
- 5 Junction sleeve
- 6 Danivit stainless steel fixing \varnothing 6
- 7 Silicone sealant
- 8 Structure
- 9 Roof covering



Accessories for Solinet 160

External angle sleeve

Internal angle sleeve

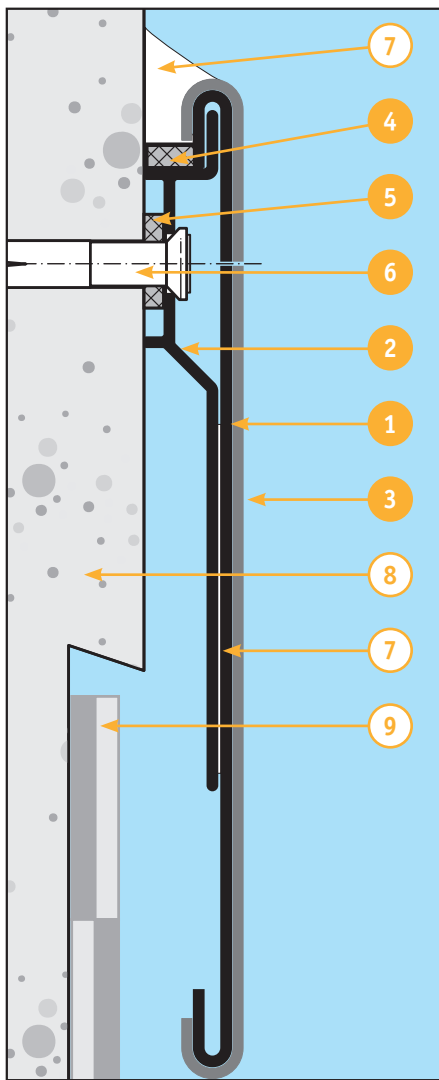
Junction piece

Endpiece

Solinet® Contour

Solinet Contour

- inaccessible flat roof or technical platforms
- private accessible flat roof
- bendable

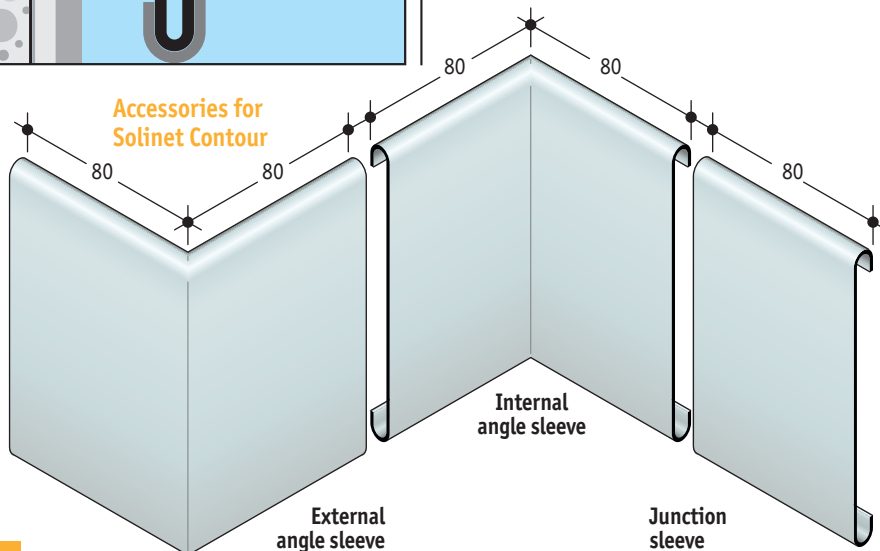
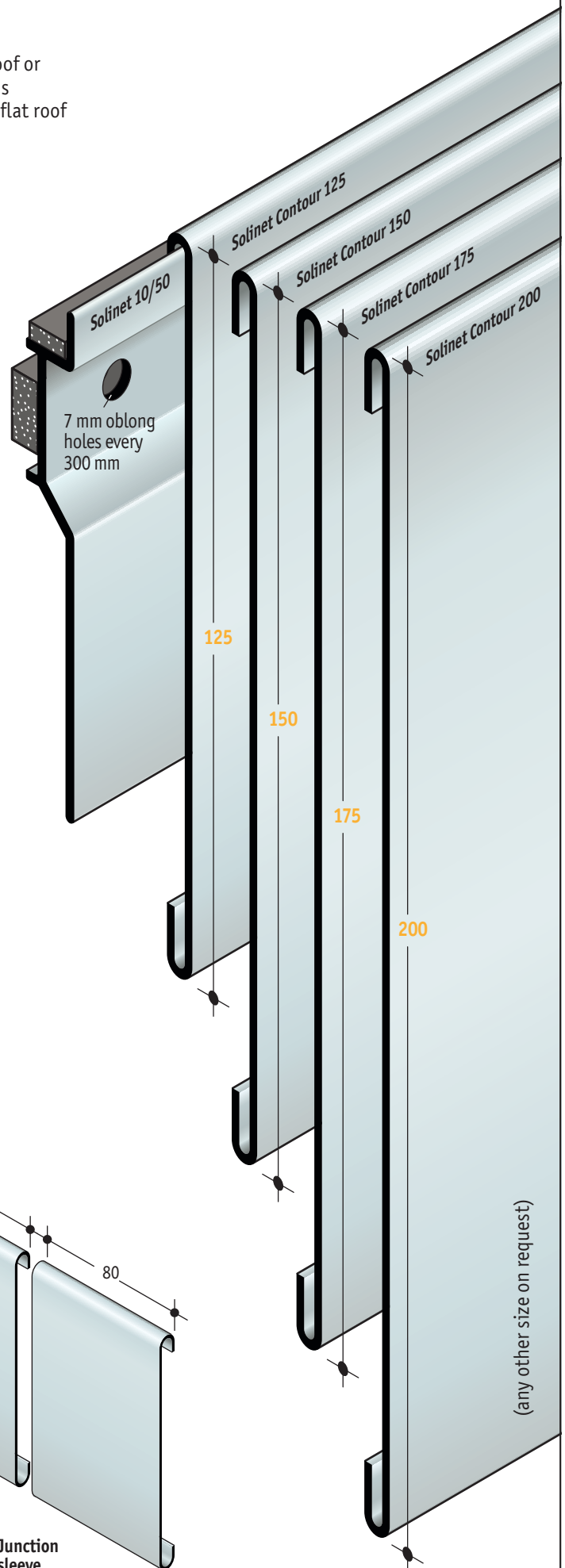


Solinet Contour provides an original and attractive solution in refurbishment and in particular cases.

Example of use in refurbishment with Solinet Contour 125

Scale: 1:1

- 1 Solinet Contour 125
- 2 Solinet 10/50
- 3 Junction sleeve
- 4 Joint backing
- 5 Gasket at rear
- 6 Danivit stainless steel fixing Ø 6
- 7 Silicone sealant
- 8 Structure
- 9 Roof covering upstand



Solinet[®] slab-support

Solinet slab-support is a dual-function aluminium system:

- flashing to protect the top of roof covering upstands
- support for paving slab, by providing stability around the edge of the flat roof

Solinet slab-support ensures the durability of the structural work and the contractor's reputation.

Solinet slab-support leads to cost savings:

- a single profile fulfils two functions: protective flashing and paving slab support
- the installation of the paving slabs is simplified: the profile acts as a setting-out point for the adjustment of the pads
- installation is faster: the paving slab support is fixed at the same time as the flashing at the perimeter
- cost saving for the pads around the perimeter and for cutting, levelling and wedging

The profiles are available in lengths of 3000 mm, with 7 mm diameter factory-drilled holes at 230 mm centres.

All the patterns include accessories, such as internal and external angles, junction pieces and aluminium protection.



Solinet® slab-support

Solinet slab-support:

- inaccessible flat roof or technical platforms
- private accessible flat roof
- public accessible flat roof (with aluminium protection)
- planted roof or garden

This pattern is appreciated for its discretion.

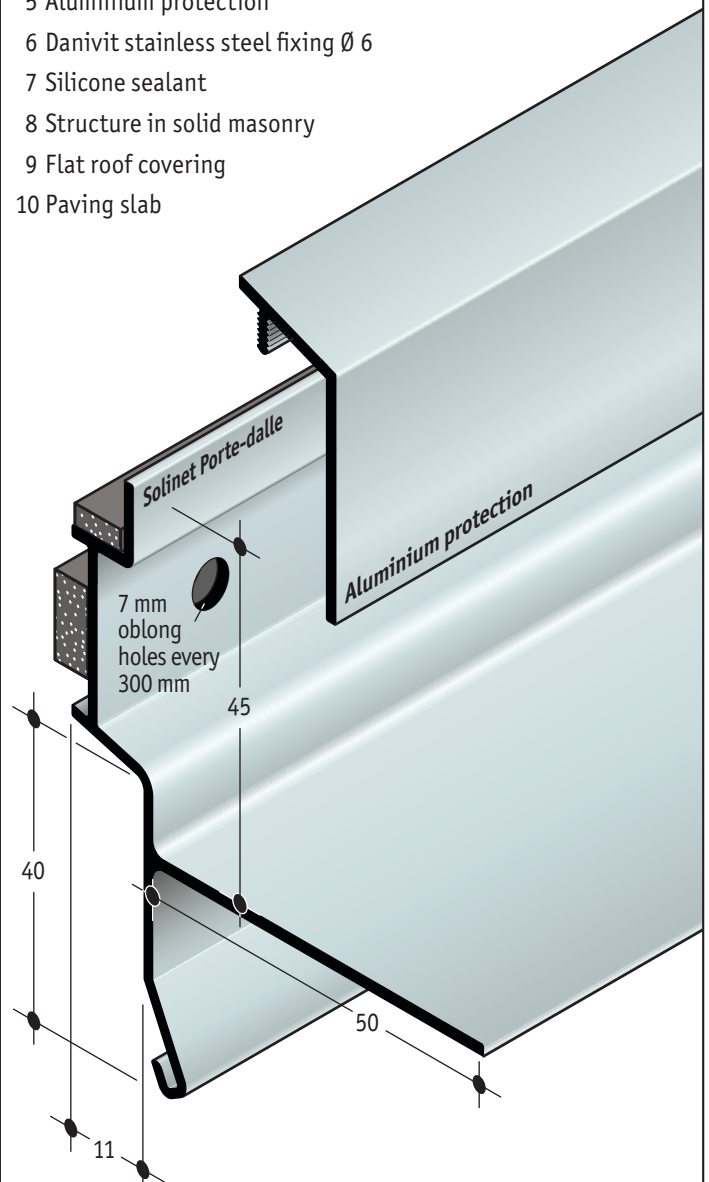
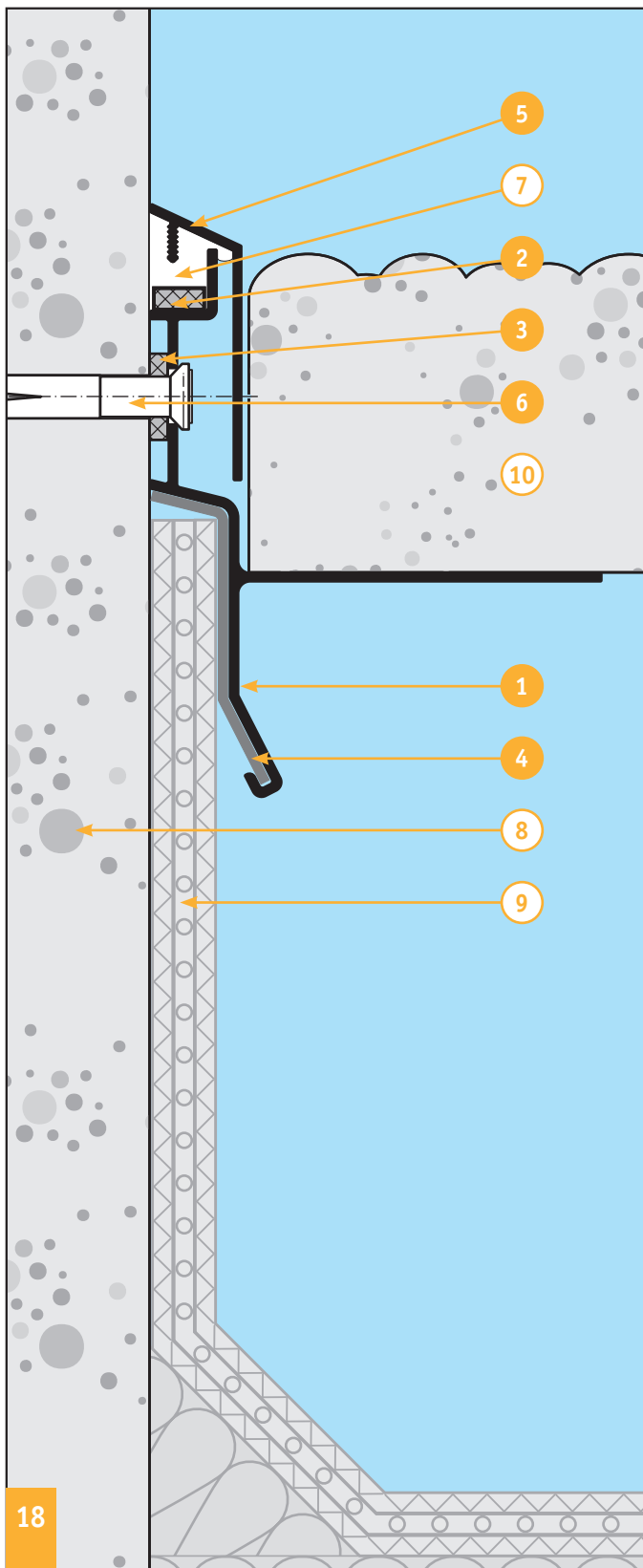
It is also suitable for use with thin paving slabs.

Example of use

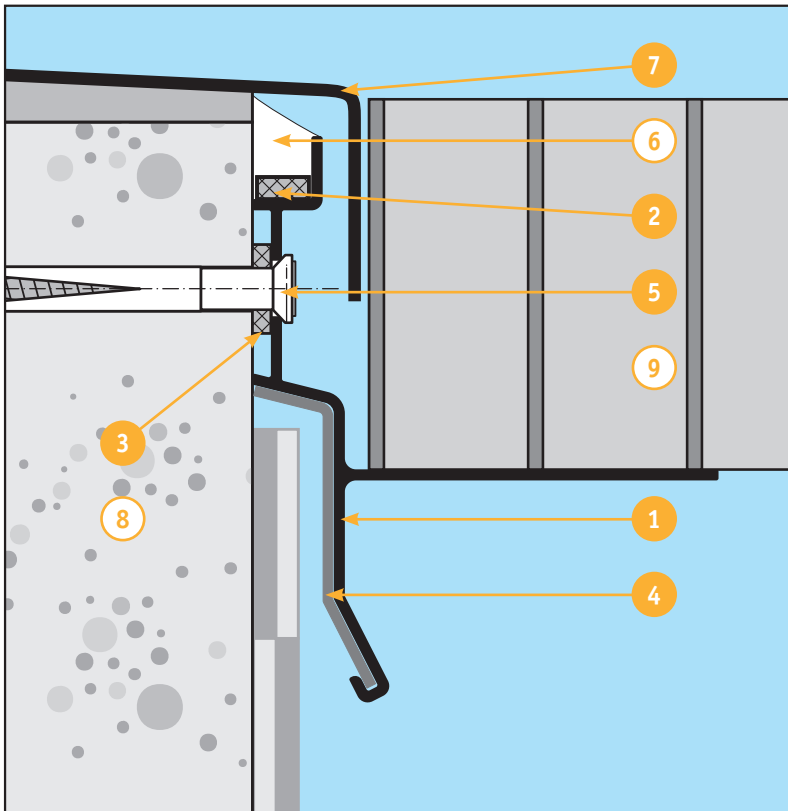
Solinet slab-support

Scale: 1:1

- 1 Solinet slab-support
- 2 Joint backing
- 3 Gasket at rear
- 4 Junction piece
- 5 Aluminium protection
- 6 Danivit stainless steel fixing $\varnothing 6$
- 7 Silicone sealant
- 8 Structure in solid masonry
- 9 Flat roof covering
- 10 Paving slab



Solinet® slab-support



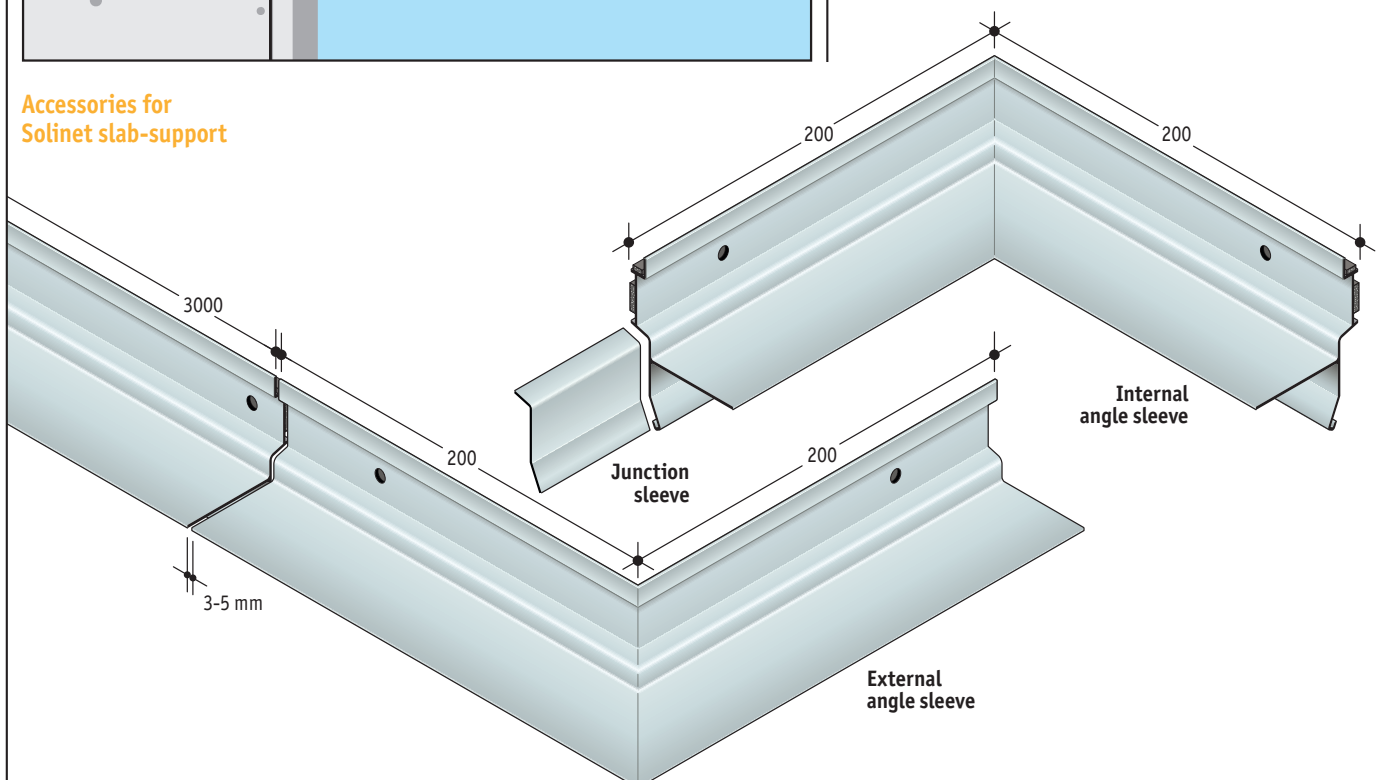
Example of use

Solinet slab-support

In the case of a casement door with a grating
Scale: 1:1

- 1 Solinet slab-support
- 2 Joint backing
- 3 Gasket at rear
- 4 Junction piece
- 5 Danivit stainless steel fixing $\varnothing 6$
- 6 Silicone sealant
- 7 Protègenet threshold
- 8 Structure in solid masonry
- 9 Metal grating or paving slab

Accessories for Solinet slab-support

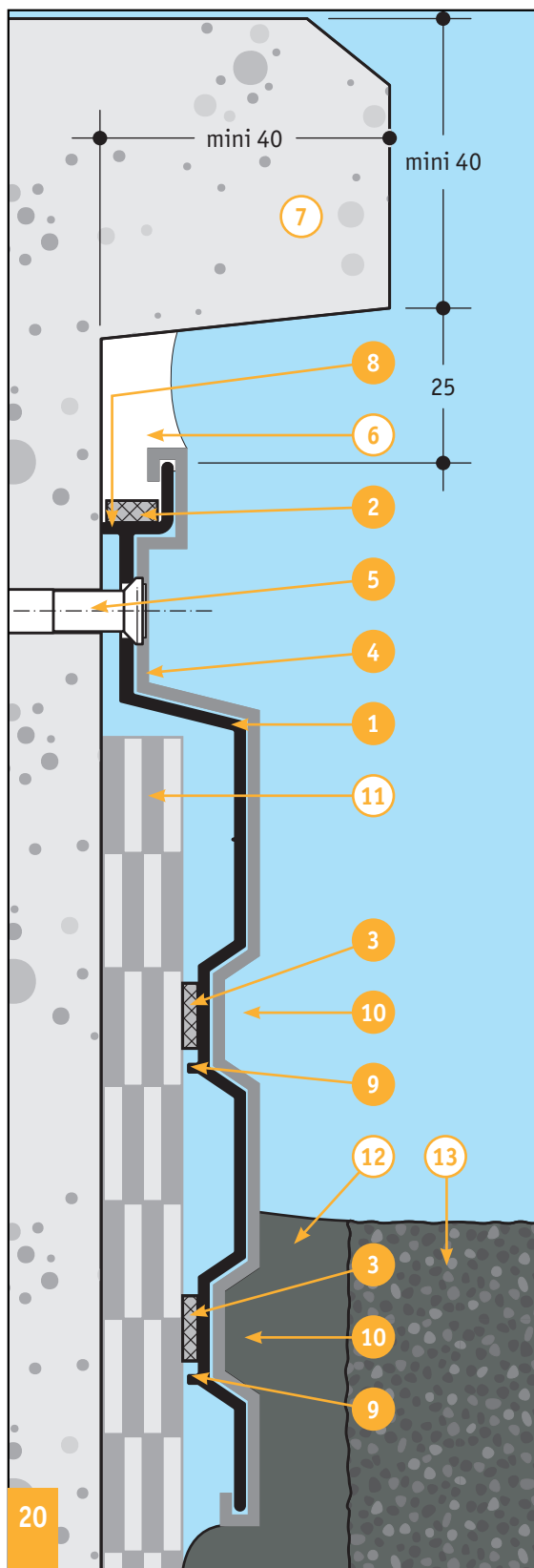




- private accessible flat roof
- public accessible flat roof (with aluminium protection)
- car park

This product has been developed together with the state organisation SETRA (Service d'étude sur les transports, les routes et leurs aménagements) specifically for the use on bridges, car parks and other vehicle accessed areas.

Solinet® Special bridge and car park



This device has been designed especially to deal with roof covering upstands in:

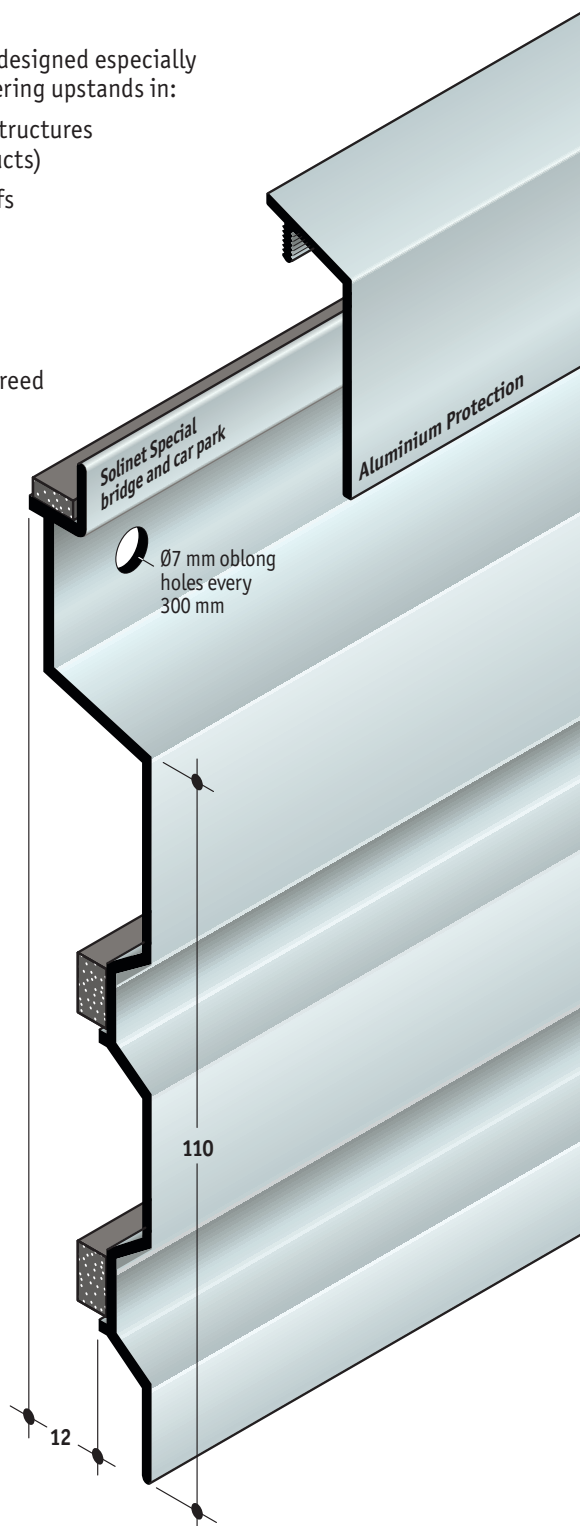
- civil engineering structures (bridges and viaducts)
- trafficable flat roofs
- car parks

Example of use

Solinet bridge

Outline sketch of a screed upstand with Solinet Special bridge
Scale: 1:1

- 1 Solinet Special bridge and car park
- 2 Joint backing
- 3 Compression joint
- 4 Junction sleeve
- 5 Danivit stainless steel fixing $\varnothing 6$
- 6 Silicone sealant
- 7 This protective „nosing“ will only be necessary if there is a risk of contact with traffic
- 8 Lifting stud
- 9 Compression studs
- 10 Stiffeners
- 11 Roof covering
- 12 Protective facing
- 13 Paving





Solinet®

Special bridge and car park

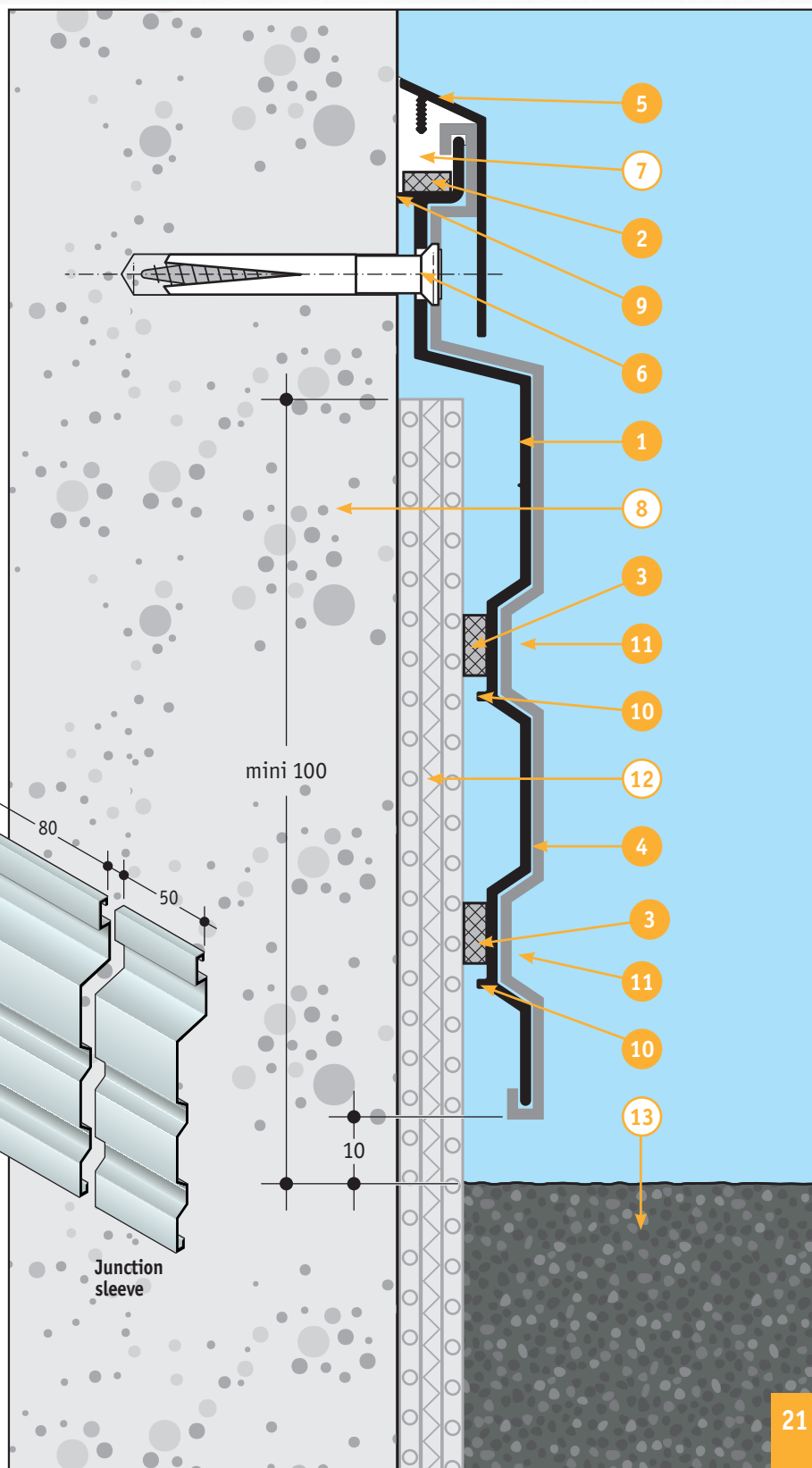
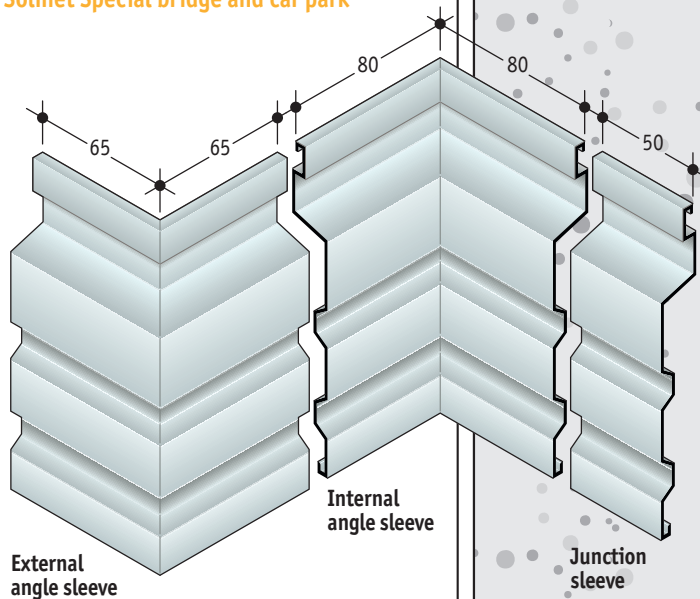
Example of use

Solinet car park

Scale: 1:1

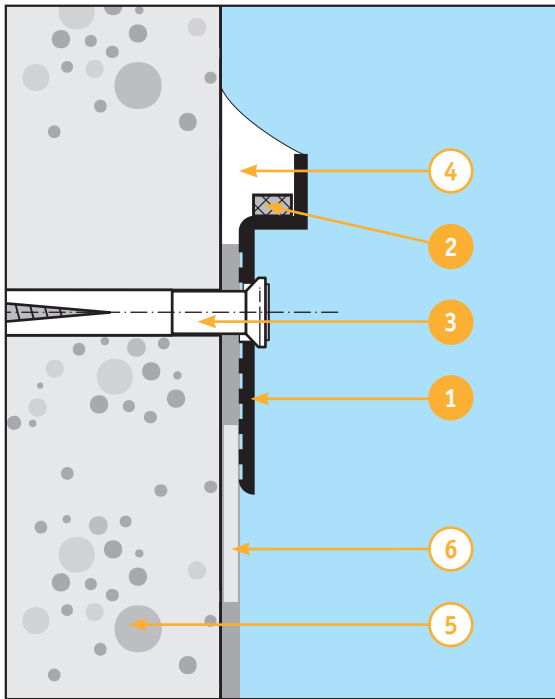
- 1 Solinet Special bridge and car park
- 2 Joint backing
- 3 Compression joint
- 4 Junction sleeve
- 5 Aluminium protection
- 6 Danivit stainless steel fixing Ø 6
- 7 Silicone sealant
- 8 Structure
- 9 Lifting stud
- 10 Compression studs
- 11 Stiffeners
- 12 Roof covering
- 13 Paving

Accessories for Solinet Special bridge and car park



Fixnet®

Mechanical fixing of roof covering membranes



The Fixnet series is used for the mechanical fixing of roof covering membranes.

Bendable

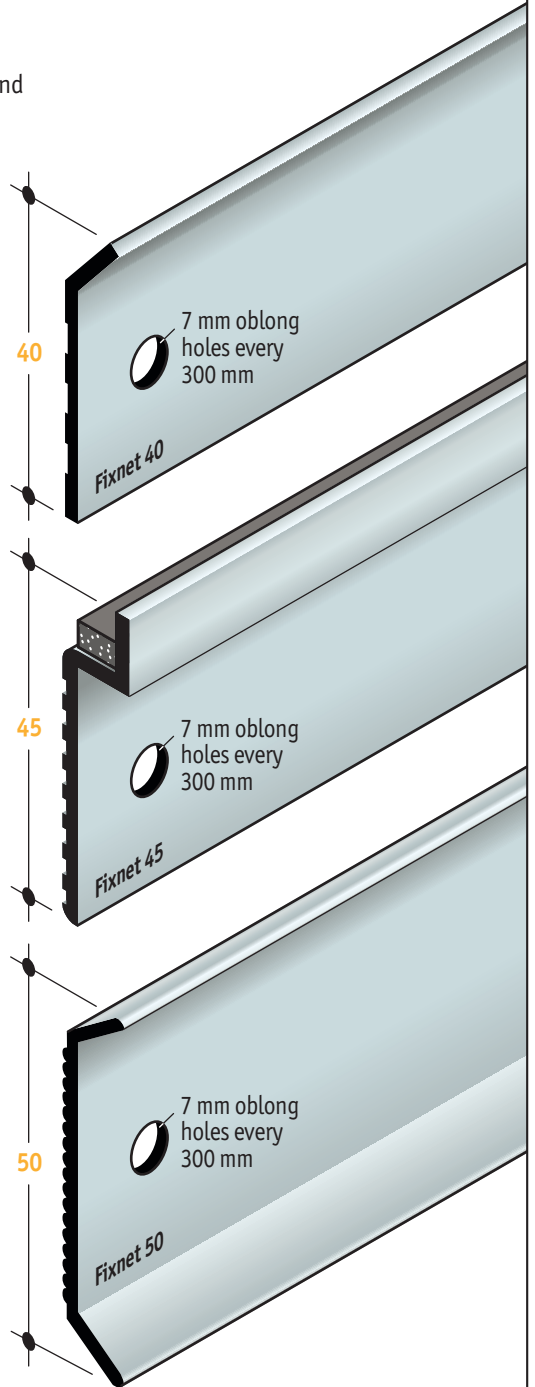
Example of use

Fixnet 45

As protection for the upstand with joint backing

Scale: 1:1

- 1 Fixnet 45
- 2 Joint backing
- 3 Danivit stainless steel fixing $\varnothing 6$
- 4 Silicone sealant
- 5 Structure
- 6 Roof covering upstand

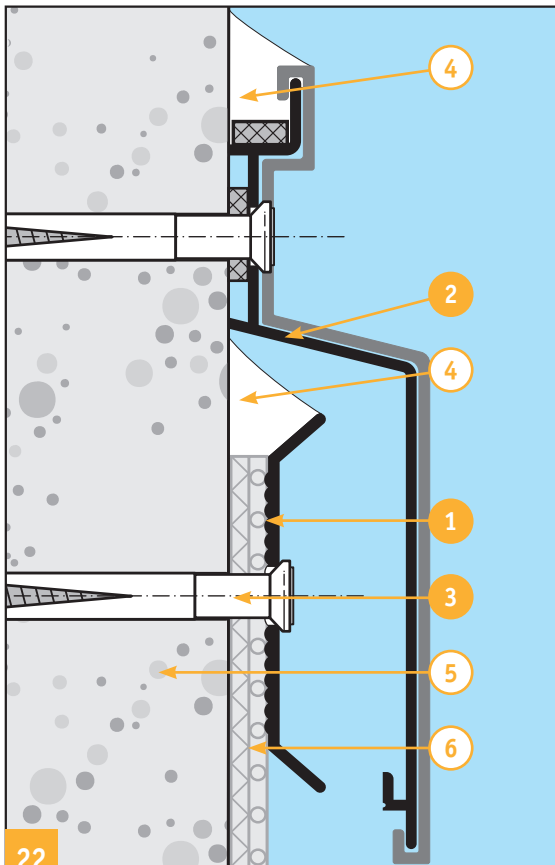


Fixnet 50

For mechanical fixing

Scale: 1:1

- 1 Fixnet 50
- 2 Solinet 20/60
- 3 Danivit stainless steel fixing $\varnothing 6$
- 4 Silicone sealant
- 5 Structure
- 6 Roof covering upstand



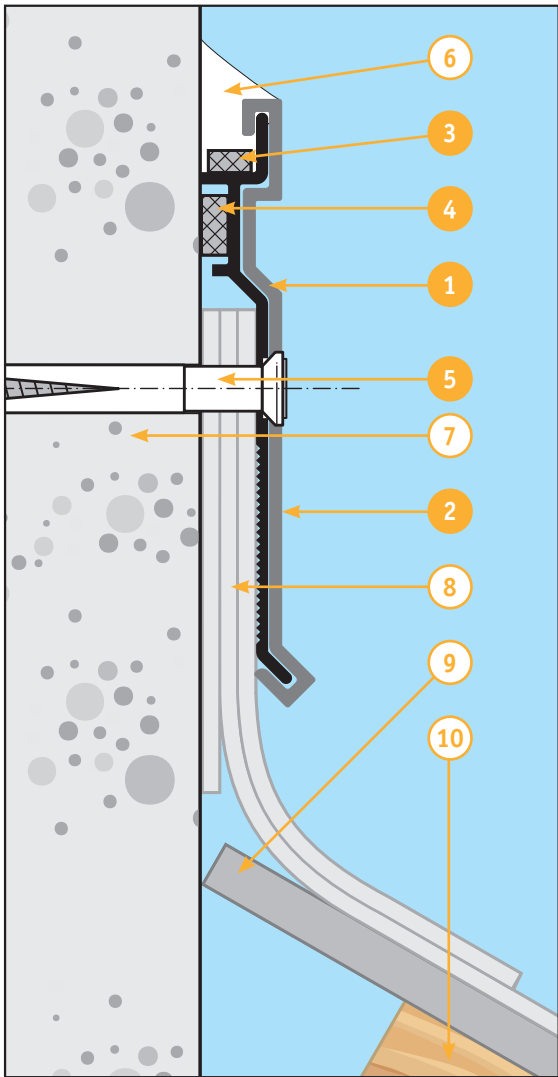
Solinet 70 is used for the protection and making good of weatherproofing upstands in pitched roofing.

Bendable



Solinet® 70

Traditional pitched roof covering



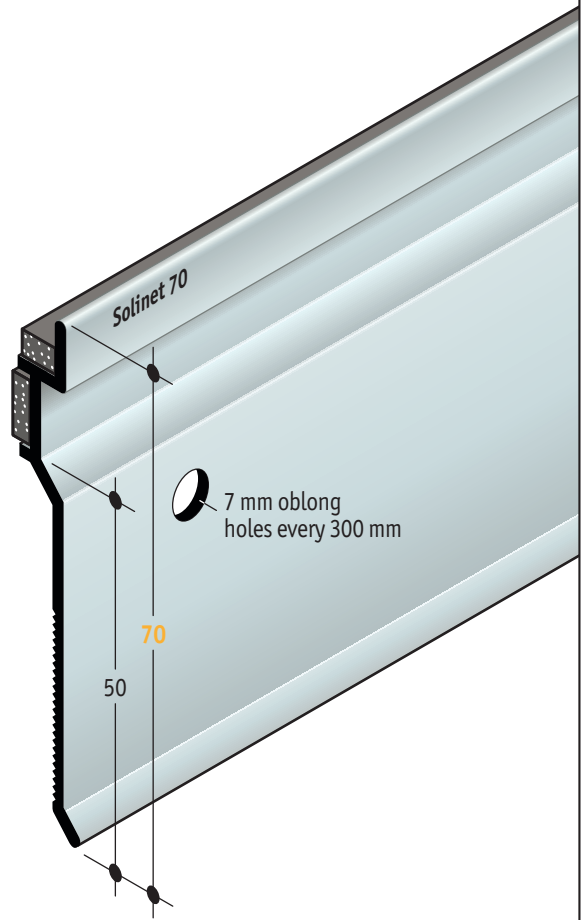
Example of use

Solinet 70

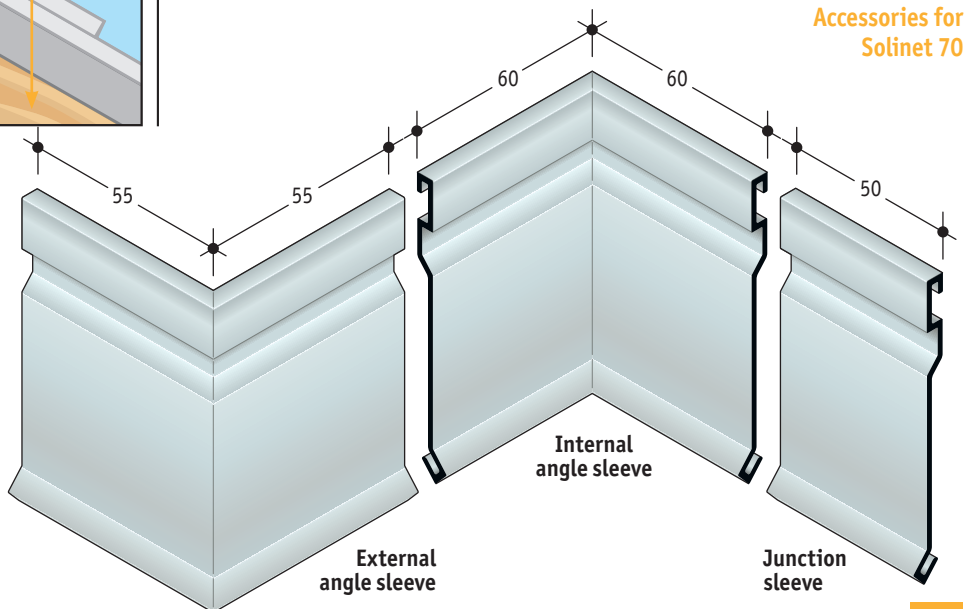
Making good at side and front eaves using Solinet on pitched roofing of bitumen strips or interlocking tiles

Scale: 1:1

- 1 Solinet 70
- 2 Junction sleeve
- 3 Fond de joint
- 4 Gasket at rear
- 5 Danivit stainless steel fixing Ø 6
- 6 Silicone sealant
- 7 Structure
- 8 Overlap strip
- 9 Pitched roof covering
- 10 Roof construction



Accessories for Solinet 70





Solinet® Request for quotation

Date: _____

dani alu UK Ltd.
Hexagon House, Avenue Four
Witney, Oxfordshire, OX28 4BN
Phone: 01865 595160
Fax: 01865 595161
E-mail: contact@danialu.co.uk
www.danialu.com

Company: _____

Address: _____

Mr/Mrs: _____

Telephone: _____ Direct line tel.: _____

Fax: _____ Mobile: _____

Request ref.: _____ e-mail: _____

Your company stamp:

Tick the options required in your quotation:

estimate job on site an order from stock

Pattern	Page	Linear metres	Junctions	External angles	Internal angles	Pair of end pieces	Aluminium protection	Mill finish aluminium	Danilac powder coating to RAL colour
Inaccessible flat roof or technical platforms (or private accessible flat roof)									
<input type="checkbox"/> Solinet Contour 125	16	_____	_____	_____	_____	_____	<input type="checkbox"/>	<input type="checkbox"/>	<input type="checkbox"/>
<input type="checkbox"/> Solinet Contour 150	16	_____	_____	_____	_____	_____	<input type="checkbox"/>	<input type="checkbox"/>	<input type="checkbox"/>
<input type="checkbox"/> Solinet Contour 175	16	_____	_____	_____	_____	_____	<input type="checkbox"/>	<input type="checkbox"/>	<input type="checkbox"/>
<input type="checkbox"/> Solinet Contour 200	16	_____	_____	_____	_____	_____	<input type="checkbox"/>	<input type="checkbox"/>	<input type="checkbox"/>
Private accessible flat roof (or inaccessible flat roof or technical platforms, green roof or garden)									
<input type="checkbox"/> Solinet 10/50 (bendable)	8/9	_____	_____	_____	_____	_____	<input type="checkbox"/>	<input type="checkbox"/>	<input type="checkbox"/>
<input type="checkbox"/> Solinet 15/40	7	_____	_____	_____	_____	_____	<input type="checkbox"/>	<input type="checkbox"/>	<input type="checkbox"/>
<input type="checkbox"/> Solinet 15/50	12/13	_____	_____	_____	_____	_____	<input type="checkbox"/>	<input type="checkbox"/>	<input type="checkbox"/>
<input type="checkbox"/> Solinet 20/60	10/11	_____	_____	_____	_____	_____	<input type="checkbox"/>	<input type="checkbox"/>	<input type="checkbox"/>
Public accessible flat roof* (or inaccessible flat roof or technical platforms, private accessible flat roof, green roof or garden) *with aluminium protection									
<input type="checkbox"/> Solinet 10/110 (bendable)	8/9	_____	_____	_____	_____	_____	<input type="checkbox"/>	<input type="checkbox"/>	<input type="checkbox"/>
<input type="checkbox"/> Solinet 20/100	10/11	_____	_____	_____	_____	_____	<input type="checkbox"/>	<input type="checkbox"/>	<input type="checkbox"/>
<input type="checkbox"/> Solinet 40/50	12/13	_____	_____	_____	_____	_____	<input type="checkbox"/>	<input type="checkbox"/>	<input type="checkbox"/>
<input type="checkbox"/> Solinet 60/50	12/13	_____	_____	_____	_____	_____	<input type="checkbox"/>	<input type="checkbox"/>	<input type="checkbox"/>
<input type="checkbox"/> Solinet 100/50	12/13	_____	_____	_____	_____	_____	<input type="checkbox"/>	<input type="checkbox"/>	<input type="checkbox"/>
<input type="checkbox"/> Solinet 160/50	12/13	_____	_____	_____	_____	_____	<input type="checkbox"/>	<input type="checkbox"/>	<input type="checkbox"/>
<input type="checkbox"/> Solinet 25/150	11	_____	_____	_____	_____	_____	<input type="checkbox"/>	<input type="checkbox"/>	<input type="checkbox"/>
<input type="checkbox"/> Solinet 160	15	_____	_____	_____	_____	_____	<input type="checkbox"/>	<input type="checkbox"/>	<input type="checkbox"/>
Flat roof with paving slabs on pads									
<input type="checkbox"/> Solinet slab-support	8/9	_____	_____	_____	_____	_____	<input type="checkbox"/>	<input type="checkbox"/>	<input type="checkbox"/>
Public works									
<input type="checkbox"/> Solinet Special bridge and car park	20/21	_____	_____	_____	_____	_____	<input type="checkbox"/>	<input type="checkbox"/>	<input type="checkbox"/>
Mechanical fixing of membranes									
<input type="checkbox"/> Fixnet 40	22	_____	_____	_____	_____	_____	<input type="checkbox"/>	<input type="checkbox"/>	<input type="checkbox"/>
<input type="checkbox"/> Fixnet 45	22	_____	_____	_____	_____	_____	<input type="checkbox"/>	<input type="checkbox"/>	<input type="checkbox"/>
<input type="checkbox"/> Fixnet 50	22	_____	_____	_____	_____	_____	<input type="checkbox"/>	<input type="checkbox"/>	<input type="checkbox"/>
Traditional pitched roof covering									
<input type="checkbox"/> Solinet 70	23	_____	_____	_____	_____	_____	<input type="checkbox"/>	<input type="checkbox"/>	<input type="checkbox"/>