

direct flush

infrared urinal control valve

the cost effective solution to maximise
urinal hygiene and water economy



- Designed for urinals flushing directly from cold water supply
- No cistern required
- Only flushes urinal bowl after use
- Vandal-resistant – valve totally concealed
- Hygiene flush for periods of non-use
- Adjustable flush duration and range
- Mains and battery powered options included
- Ensures compliance with Water Regulations
- BREEAM Wat1 compatible product
- On DEFRA's ECA Water Technology List.
Purchase and installation are tax deductible



direct flush is an infrared sensor controlled urinal valve.

The **direct flush** automatically flushes the individual urinal after use, ensuring the highest level of hygiene from the minimum volume of water supplied directly from the mains. **direct flush** removes the need for the auto-flush cistern and associated plumbing used in traditional urinal installations which flush all urinals intermittently even if they have not all been used.



how it works

The **direct flush** infrared sensor detects the user at the urinal bowl and flushes after a 2 second delay once the user departs. The LED flashes green every 3 seconds whilst a user is detected.

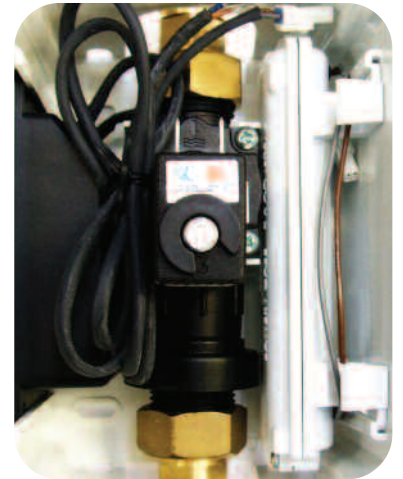
If a user is detected whilst the water is flushing, the flush is automatically arrested to prevent splashing and wastage. During the flush, the LED flashes green once a second.

The flush duration is adjustable which ensures that only the minimum amount of water necessary is used.

If there has been no use of the urinal for 12 hours, the **direct flush** automatically runs a hygiene flush to prevent odours and the build up of uric acid in the pipework.

product description

- **direct flush** includes an integral DC pipe interrupter (air gap) enabling the installer to connect it directly to the mains water supply. This provides fluid category 5 back-siphonage protection, without the need for any additional backflow prevention or check valves.
- **direct flush** can be powered by either mains electricity via the DC transformer or batteries: both options are included as standard. When batteries are fitted the **direct flush** provides a low battery warning indicator.
- A mains power supply unit (PSUC) which powers up to 20 **direct flush** urinal valves is also available. Only 1 fused spur is required when using this product.
- Additional customised washroom settings are obtainable via a hand held remote control Infrared Configuration Unit (ICU) which is available as an optional extra. The remote controller enables rapid automatic range configuration to the specific washroom dimensions, deactivation of the hygiene flush function and where a siphonic trap has been fitted, activation of the trap refill function.



reducing water wastage and costs; ensuring hygiene

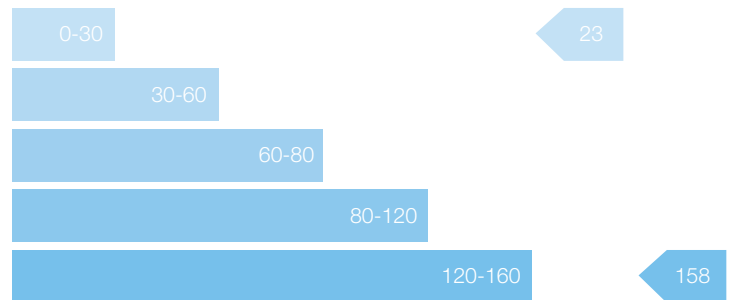
Uncontrolled urinals may flush constantly regardless of use; wasting thousands of litres of water per year and costing hundreds of pounds per year.

The **direct flush** is activated after every use of the urinal but only flushes 0.5 litres at a time. Cistermiser has calculated savings of 134,000 litres and up to £313.42 per year where a **direct flush** has been installed.



Water Efficiency Rating

very water efficient



not water efficient

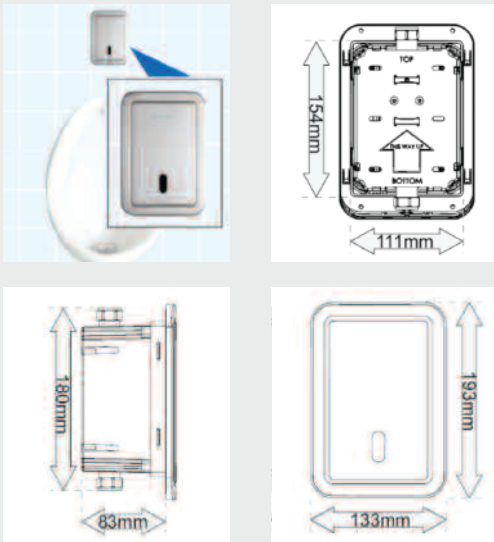
Note: in 1,000s of litres

	Uncontrolled Urinal	Direct Flush 7.5 ltrs per hour	Direct Flush 10 ltrs per hour
Litres per flush	4.5	0.5	0.5
Flushes per hour	4	15	20
Hours per day	24	12	12
Days per year	365	260	260
Water usage per year (ltrs)	157,680	23,400	31,200
Water saving per year (ltrs)	0	134,280	126,480
Water costs per m ³ (£)	2.33	2.33	2.33
Annual water cost (£)	367.94	54.52	72.70
Annual water cost saving (£)	0	313.42	295.24

installation options

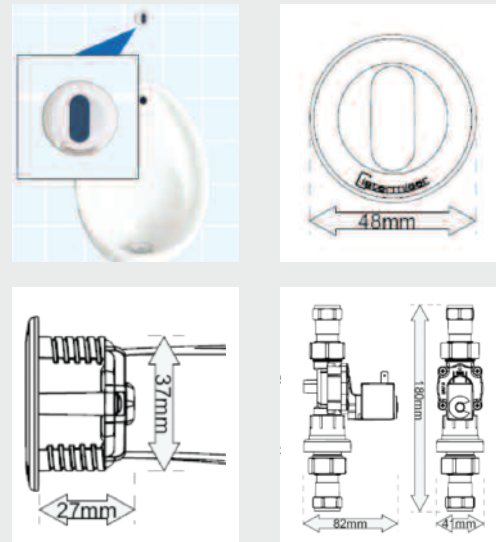
direct flush 'accessible' infrared sensor

The **direct flush 'accessible'** incorporates the valve and the power options as well as the sensor in a single compact box housing. It can be installed onto either a concealed structural wall / frame or onto the exposed wall panel. It is ideal where access cannot be gained to the wall cavity. The sensor plate can be removed to enable servicing of the valve or battery replacement (if battery powered) in the installed position without the need to remove the panel.



direct flush 'discreet' infrared sensor

The **direct flush 'discreet'** unit is an alternative installation option where rear access can be gained to the wall cavity for servicing and inspection. The valve is mounted onto the pipework behind the panel or wall together with either the mains supply unit or batteries, while the unobtrusive infrared sensor is installed directly above the urinal bowl.



specification wording

direct flush discreet

The mechanical contractor shall supply and install a urinal flushing device of the Cistermiser DFD type for concealed installation where service access is provided externally. A Cistermiser DFD is to be fitted to each individual urinal.

The flushing control device is to consist of a PIR sensor remotely mounted above of the urinal and controlling a solenoid valve c/w integral DC pipe interrupter to comply with Water Regulations.

direct flush accessible

The mechanical contractor shall supply and install a urinal flushing device of the Cistermiser DFA type for installation where service access is not provided. A Cistermiser DFA is to be fitted to each individual urinal.

The flushing control device is to consist of a PIR sensor controlling a solenoid valve c/w integral DC pipe interrupter to comply with water regulations. The sensor, valve and integral power supply are to be contained within a mounting unit with removable face plate to allow service access once installed. The unit is to be mounted above the urinal so that the removable face plate is flush with the finished wall surface.

direct flush discreet & direct flush accessible

The flushing control device is to be fully configurable for flush time and duration, sensing distance, flush arrest and is to be programmable either manually or by use of the ICU (remote control) where supplied. The unit should also have a programmable periodic hygiene flush function for periods of low use and a cleaner's function to conserve water during routine cleaning and maintenance.

The flushing control device is to be suitable for connection to either 230v 50Hz AC single phase supply or from 4 x 1.5v alkaline batteries of type LR6. For multiple product installations the device is to have the option of being installed with a common power supply unit PSUC capable of powering several units from one 230v fused spur.

The unit should be the Cistermiser Direct Flush as manufactured by: Cistermiser Limited
Unit 1, Woodley Park Estate, 59 – 69 Reading Road,
Woodley, Reading, RG5 3AN Tel: 0118 969 1611

product codes

direct flush discreet
direct flush accessible

DFD
DFA