



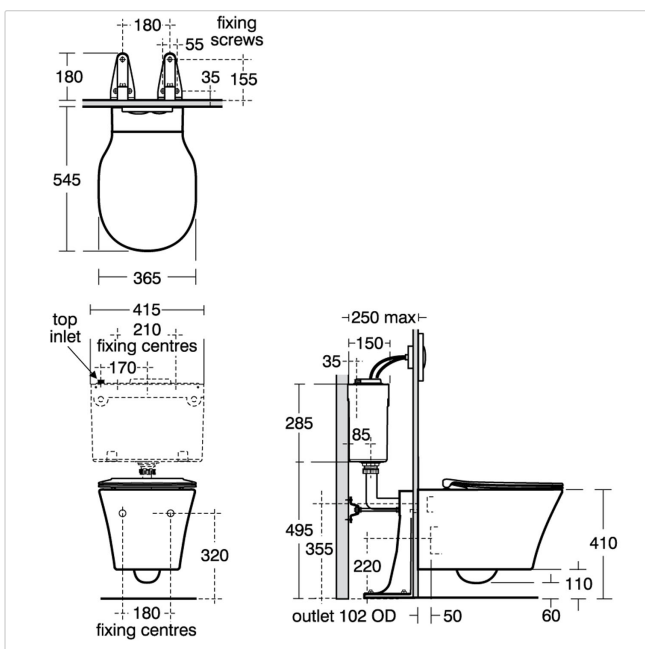
Concept Air Wall Mounted WC Pan

Illustrated

- E0796** Concept Air wall mounted wc pan with Aquablade technology
- S3643** Conceala 2 cistern 4.5/3 or 4/2.6 litre dual flush valve side supply and internal overflow, alternative height plastic flushbends, no flushplate
- E0811** Concept Air slim toilet seat and cover, slow close
- E4465** Karisma flush plate dual flush, branded for Conceala 2 cisterns, chrome
- E0060** Support frame with bolts for wall hung WC pans

Configuration options

- S3617** Conceala 2 cistern 4.5 or 6 litre single flush syphon side supply and internal overflow plastic flushbend, long CP lever
- E0809** Concept Air slim toilet seat and cover normal close
- E0812** Concept Air wrap style toilet seat and cover, normal close
- E0814** Concept Air wrap style toilet seat and cover, slow close



Material

Vitreous China

Weights

E0796	22.36KG
S3643	2.60KG
E0811	2.10KG
E4465	0.50KG
E0060	4.28KG

Colours

White (01)

Standards

Vitreous china to BS3402. WC pan to BS EN 997 and BS EN 33

Special Notes

E0060 support brackets secured to floor within the duct. WC fixed to support brackets with bolts supplied and hidden fixation set provided. Joint sealed with waterproof sealant (not supplied). Can be used with Concept Air furniture WC units, support brackets E0060 required.

Designer

Robin Levien, RDI

Frequently used applications

Hotels	Office
Public Building	Pubs and Clubs
Residential	Retail
Social Housing	Sports and Leisure
Student Accommodation	

Features

Water Saving



Email: info@idealspec.co.uk
 Tel: 0870 122 8822
 Fax: 0870 122 8282
 Web: www.idealspec.co.uk

Ideal Standard (UK) Ltd. makes every effort to ensure that the information provided on its website is accurate. However, we cannot guarantee this, and accept no liability for any information or advice given via its website.



Date created:08/03/2016