



Hillrom™



TruPort® Ceiling Supply Unit

Break free to move forward.



BREAK FREE FROM YESTERDAY'S ICU

In the Intensive Care Unit (ICU), adaptability is essential. Your care teams need to flex and shift on a moment's notice—and they need equipment that can help them do it. Yet too often, their choices are limited by complex and costly infrastructure considerations.

Break free from yesterday and adapt your equipment to care for your most critical patients today. With the TruPort® Pendant from Hillrom, it's simple.

The TruPort® Ceiling Supply Unit is designed for today's evolving ICUs.

MODULAR

Choose the low-voltage, electrical and medical gas modules or services you want, where you want them. Then upgrade or exchange them any time—no downtime required.

FLEXIBLE

Take advantage of all four sides of the pendant to attach the components you need. We offer a wide range of accessories to support your workflow.

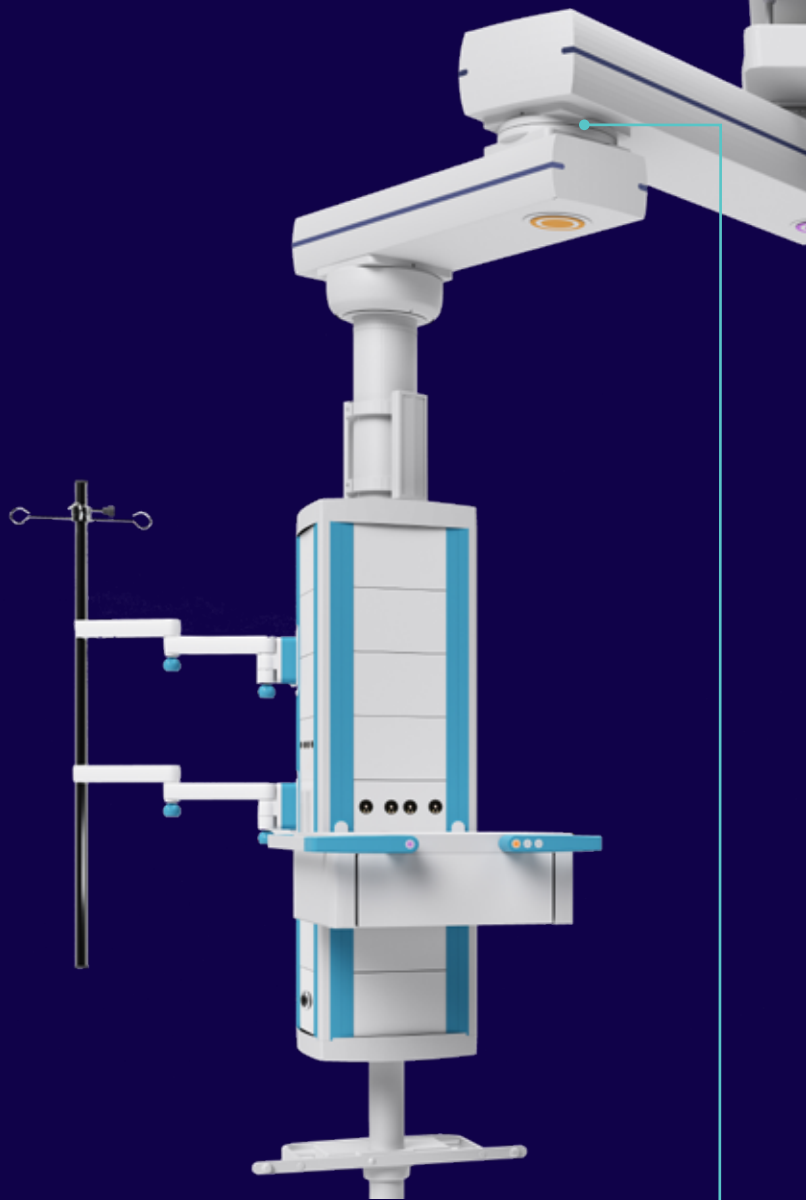
CONVERTIBLE

Quickly reconfigure your workstation without complex tools or external service support to eliminate downtime.



ADAPTABLE FOR TODAY AND READY FOR TOMORROW

Choose the setup you need today, and reconfigure as your needs change. The ceiling-mounted TruPort® Pendant's modular design lets you interchange all low-voltage, electrical and medical gas modules any time—even after installation. So it can adapt as often as you do.



Quiet Electromagnetic Brake System

Our color-coded eBrake system locks the unit quietly into place. Better yet, it does not require a secondary gas line—or the costs that come along with it.



The Right Components for Any Application

Attach control handles, IV poles, equipment rails, suction canister slides, LED lights, shelves, drawers and more to the Mounting (M) rail or Mounting Power and Communication (MPC) rail. Any height. Every side. No tools required.



A Freely Configurable Support Head

Remove services from the head wall for greater patient access (e.g., improving airway access by delivering services from the patient's side). The design makes it easy to arrange and reposition service modules such as gas, electric and nurse call systems even after installation.

SPECIFICATIONS

The TruPort® Pendant is designed for ICUs of all specialties and acuties.

SUPPORT ARMS

Support arm reach	Dual arm system: up to 3200 mm (126")
Brake system	Electro-magnetic Electro-pneumatic Pneumatic Friction
Height adjustment	Available
Payload	Up to 340 kg (750 lb)

SUPPORT HEAD

Dimensions	L 310 x 310 mm (12" x 12") M 310 x 220 mm (12" x 9")
Lengths	Vertical: 1750 mm (up to 69") Horizontal: 500 or 750 mm (19" or 29")

SUPPLY MODULES

Data module reorganization	Available
Gas module reorganization	Available
Electric power module reorganization	Available

WORKPLACE COMPONENTS

Tool-free mounting mechanism	Available
AmbientLine modules	Ambient Line Ceiling, Ambient Line Floor

SHELVES AND DRAWERS

Load capacity	HL: 80 kg ML: 50 kg
Shelf dimensions (W x D)	430, 530, 630, 730 x 480 mm (17", 21", 25", 29" x 19")
Depth extension kit	70 mm (3") available
Number of drawers per shelf	HL: Max 4 per shelf ML: Max 2 per shelf



BUILDING A SMARTER FUTURE

Building a new ICU, or renovating your existing space? Turn to the Hillrom Construction Solutions team to help you deliver on clinical, design and financial objectives throughout the planning and construction process.

Our team engages early with clinical teams, architects and equipment planners to bring your vision to life using:

- Revit® software with family editor
- CAD files, cut sheets and bid specs
- Mock room setups—either physical or virtual

Our Construction Solutions team can help you be confident you are choosing the right equipment and the right setup—so you are equipped on day one and prepared for the future.

A COMPLETE ICU OFFERING

It takes a lot of planning to outfit an ICU. What if you could turn to a single provider for all your equipment needs—ensuring connectivity and a seamless workflow?

At Hillrom, we offer a full ICU solution consisting of:

- Smart beds, frames and surfaces
- Lights and pendants
- Safe patient handling systems
- Clinical programs, including mobility support
- Nurse call and other clinical communication platforms*
- Design consultation

With connectivity built into many of these solutions, you can easily act on all the data they collect and generate. Ask your Hillrom representative how we can help you bring it all together in the ICU.

**Not available in all countries. Please check availability with your local Hillrom representative.*



Hillrom™

**Break free from yesterday's restrictions. Prepare for tomorrow's possibilities.
Start today at hillrom.com.**

ABOUT HILLROM

Hillrom is a global medical technology leader whose 10,000 employees have a single purpose: enhancing outcomes for patients and their caregivers by advancing connected care. Around the world, our innovations touch over 7 million patients each day. They help enable earlier diagnosis and treatment, optimize surgical efficiency and accelerate patient recovery while simplifying clinical communication and shifting care closer to home. We make these outcomes possible through connected smart beds, patient lifts, patient assessment and monitoring technologies, caregiver collaboration tools, respiratory care devices, advanced operating room equipment and more, delivering actionable, real-time insights at the point of care. Learn more at hillrom.com.

hillrom.eu

Hillrom
Amerika Building (7th Floor),
Hoogoorddreef 15
1101 BA Amsterdam, The Netherlands

TruPort naming corresponds to the following CE registered products according to MDD: TruPort 5000; TruPort 5500; TruPort 7000; TruPort 7500; Pre-Install Set - 4036100

The TruPort is intended to be used by clinicians and medically qualified personnel. Class IIb Notified Body: TÜV Rheinland LGA Products GmbH (CE0197), legal manufacturer TRUMPF Medizin Systeme GmbH + Co. KG, Carl-Zeiss-Straße 7-9, 07318 Saalfeld, Germany). This medical device is a regulated healthcare product which, pursuant to such regulation bears a CE mark. Hill-Rom recommends that you carefully read the detailed instructions for safe and proper use included in the documents accompanying the medical devices. The personnel of healthcare establishments are responsible for the proper use and maintenance of these medical devices. Hill-Rom reserves the right to make changes without notice in design, specifications and models. The only warranty Hill-Rom makes is the express written warranty extended on the sale or rental of its products. TRUMPF Medizin Systeme GmbH + Co. KG is a subsidiary of Hill-Rom Holdings, Inc.