

# IMEATEC

RELIABLE, BARRIER-FREE PROTECTION  
AGAINST MOISTURE ON FAÇADES



**DRAINAGE SYSTEM FOR TERRACES, ROOF GARDENS AND BALCONIES**

COMPLETE DRAINAGE SYSTEM IN GALVANISED OR STAINLESS STEEL



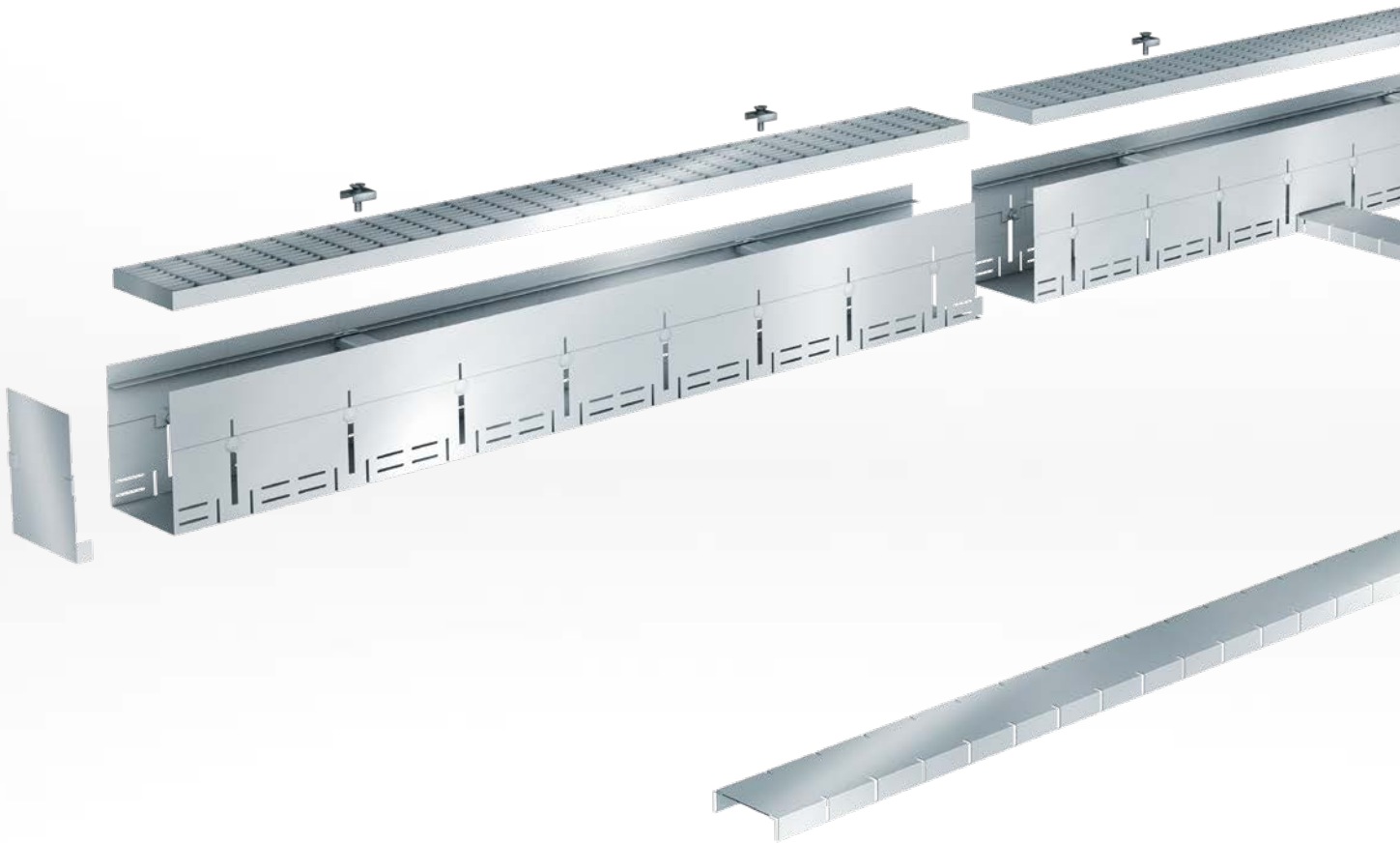
# MEATEC RELIABLE SAFE AND ELEGANT

## ADVANTAGES

- > Optimally matched components
- > Easy to install thanks to the MEATEC 'insert and connect' system
- > Branch and drainage channels connected together optimally
- > Can be shortened to the required length with no loss of functionality
- > Height-adjustable, even when already installed
- > Installation in accordance with flat roof regulations and DIN 18195-5
- > Enables barrier-free constructions according to EN 18040 (part 1 and 2)
- > Barrier-free installation
- > Optimal rear ventilation of the façade
- > Increased run-off rate
- > Integrated gravel borders
- > Aesthetically pleasing design
- > Cross bracing as a standard feature adds stability to the drainage channels
- > Eco-friendly and a sound investment



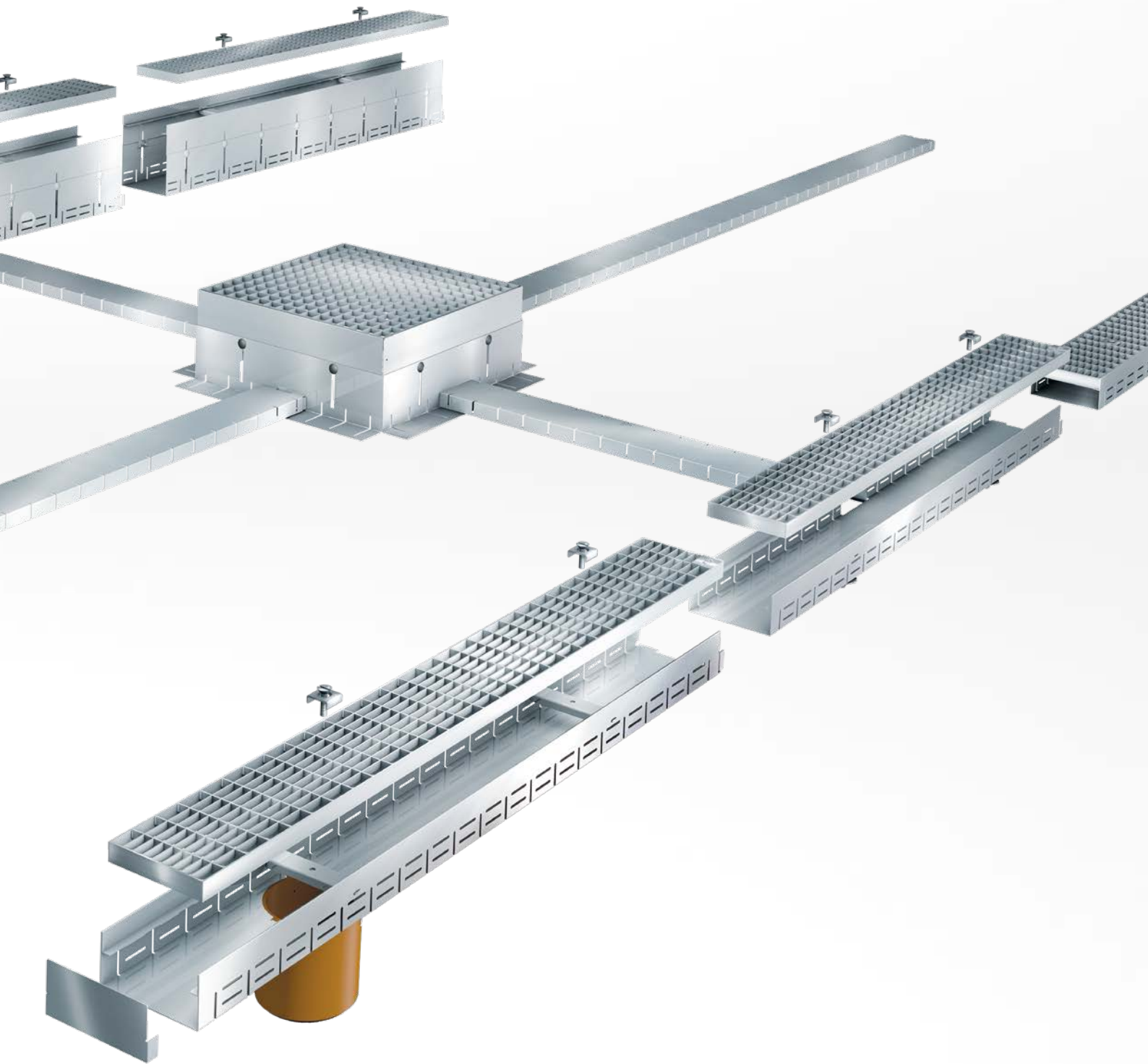
# MEATEC SYSTEM OVERVIEW



## COORDINATED SYSTEM

The MEATEC system consists of perfectly matched elements:

- > Latitudes: 100, 130, 160, 200, 250 mm
- > Lengths: 500, 1000 and 2000 mm
- > Fixed heights: 55, 70 and 90 mm
- > Variable heights: from 55 up to 90 and from 90 up to 150 mm
- > End caps, branch channel, attachment for point drains, channel covers as a standard or design version
- > The entire system is available in galvanised steel or stainless steel
- > The application possibilities are almost unlimited



# MEATEC QUICK INSERTATION PERFECT INSTALLATION

## MEATEC – THE FASTER WAY TO ACHIEVE YOUR GOALS

The MEATEC 'insert and connect' system helps professional users install drainage channel elements quickly and easily.

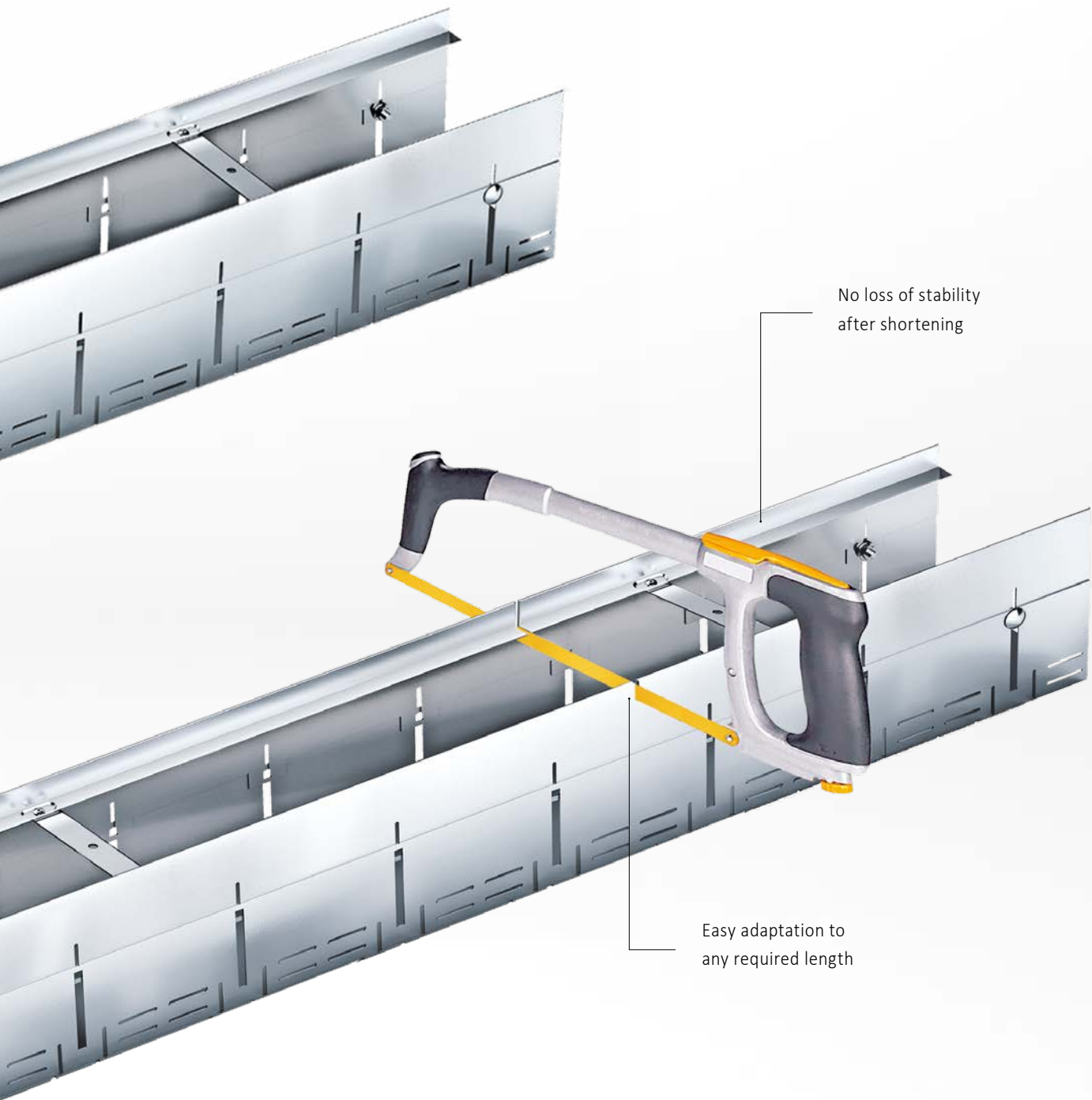
- > 'Insert and connect' system simplifies installation: your drainage channel elements create a perfect visual impression
- > 2 m channel lengths allow rapid installation of the drainage channel system



'Insert and connect' system for quick and precise connection of drainage channel elements



Just turn the height-adjusting screws into the next possible position

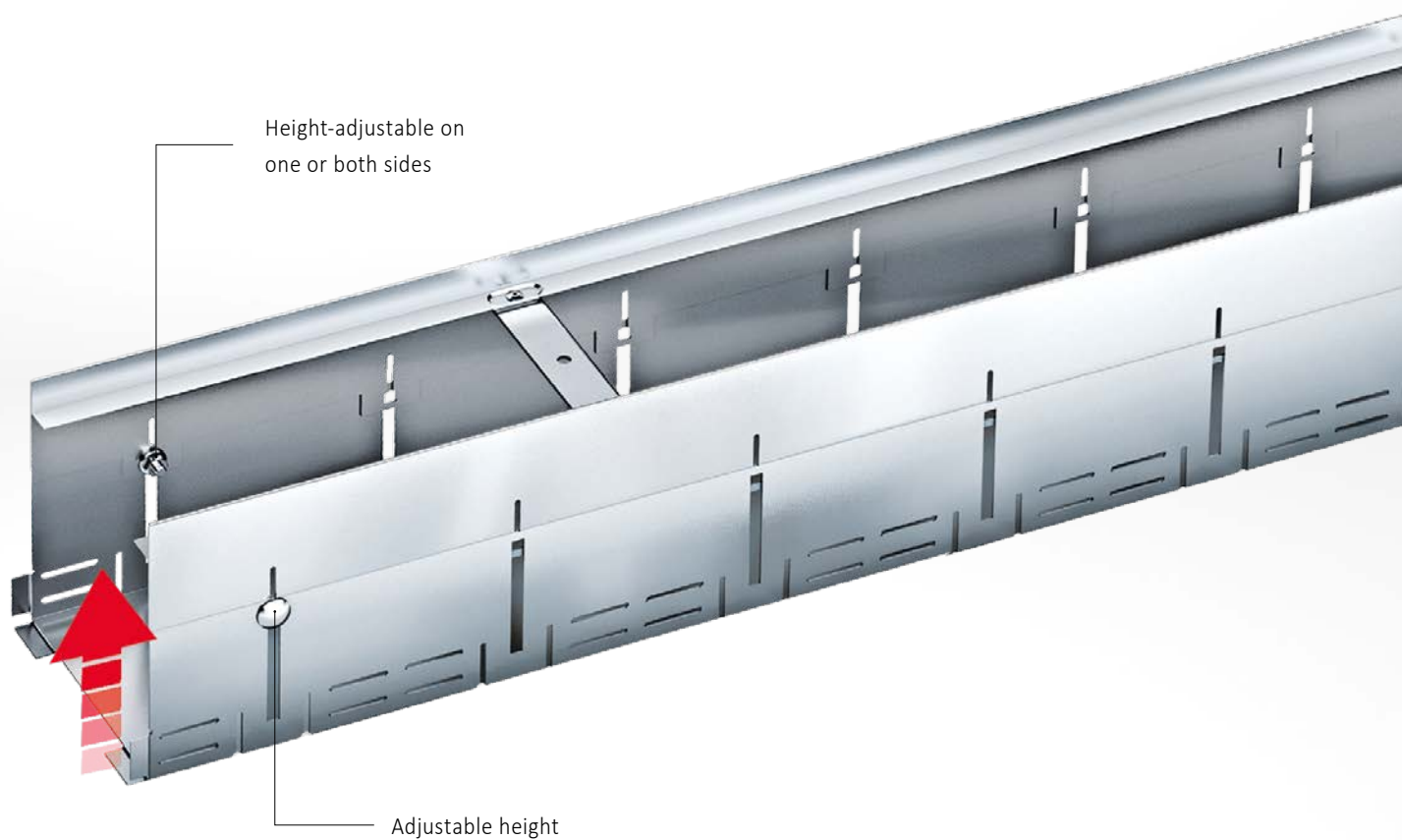


No loss of stability  
after shortening

Easy adaptation to  
any required length

## EASY TO SHORTEN WITH NO LOSS OF FUNCTIONALITY

- > Drainage channel elements with a fixed or adjustable height can be shortened to any required length
- > Screws on the sides of the height-adjustable version can be positioned at 125 mm intervals



## MEATEC HEIGHT-ADJUSTABLE EVEN WHEN ALREADY INSTALLED

### MEATEC HEIGHT ADJUSTMENT

One big advantage of the MEATEC system is that you can adjust the height:

- > MEATEC covers almost any installation scenario from 55 to 150 mm, giving you maximum design freedom and performance
- > If the gravel bed subsides, you can adjust the height of the drainage channel accordingly without any problems, even though it is already installed.
- > The option of adjusting the height on one side only provides an effective solution to the design challenges of barrier-free drainage channel construction.



# MEATEC BRANCH CHANNEL

## THE RIGHT CONNECTION

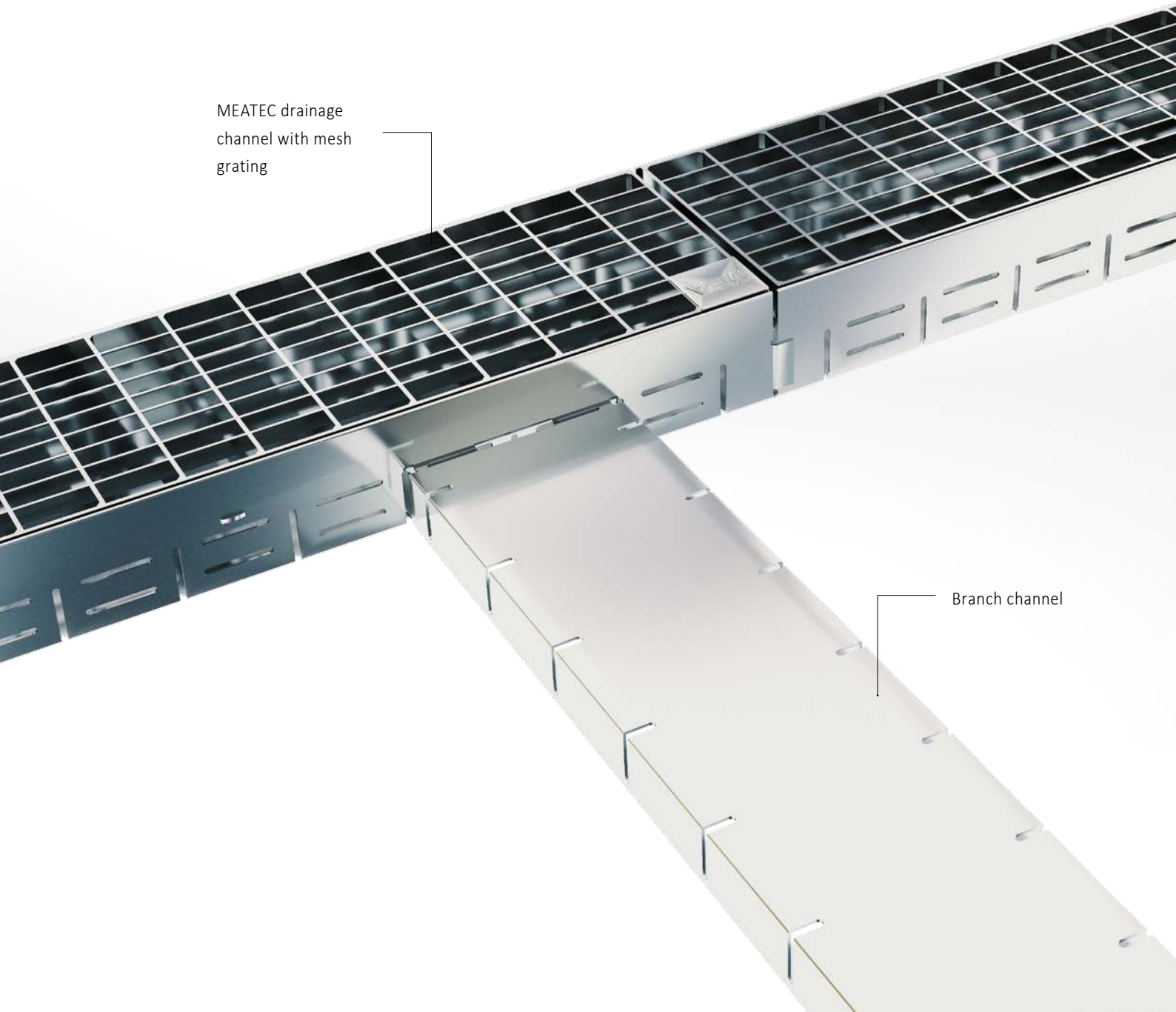
### BRANCH CHANNEL OPTIMALLY CONNECTED

The branch channel connects the drainage channel elements to the emergency gully attachments and is a key system component. Any rainwater or melt water which collects is drained off reliably.

- > Branch channels installed underneath the paving slabs as drainage elements
- > Branch channel dimensions match the slot geometry on both sides of the drainage channel elements
- > Simply open the side of the drainage channel and insert the branch channel; it is then locked in position while you place the gravel bed

MEATEC drainage  
channel with mesh  
grating

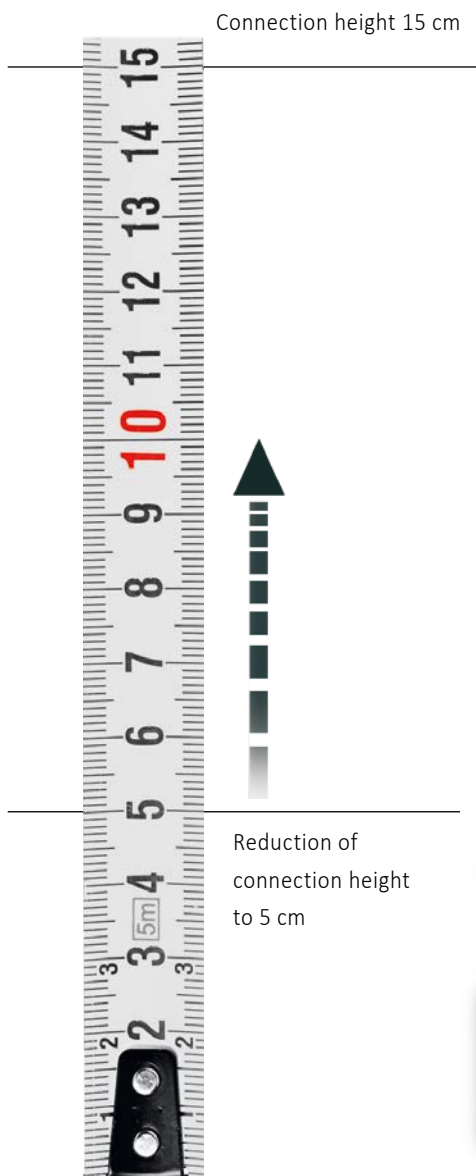
Branch channel



# MEATEC LOW CONNECTION HEIGHT

## INSTALLATION IN ACCORDANCE WITH FLAT ROOF REGULATIONS AND DIN 18195-5

With MEATEC, the connection height can be reduced from 15 cm to 5 cm



### Installation in accordance with flat roof regulations and DIN 18195-5

In combination with various additional measures, e.g.:

- > Drainage channel widths from 200 to 250 mm
- > Canopies
- > Deep reveals
- > Doors with multiple seals as protection against driving rain
- > Weatherboards, etc.
- > Channel heights from 5,5 cm to 15 cm

**you can achieve a barrier-free transition in accordance with DIN 18040, Parts 1 and 2**





## MEATEC BARRIER-FREE INSTALLATION

### BARRIER-FREE INSTALLATION

The MEATEC drainage system enables barrier-free construction and provides permanent protection against moisture damage on a building's façade.

- > MEATEC system prevents moisture penetration in sensitive door and window areas in accordance with flat roof regulations as well as DIN 18195-5 and DIN 18040, Parts 1 and 2
- > Enables barrier-free constructions
- > Level access from living areas to rooftop terraces, balconies or loggias and step-free entrance areas – including to public buildings – are generally laid down today by planning regulations
- > Barrier-free accessibility for the disabled or elderly is a requirement for both new and refurbished buildings
- > Barrier-free access for pushchairs, small children, shopping trolleys, etc. is also a tremendous help in everyday life

# MEATEC IMPROVED VENTILATION OF FAÇADES



## **OPTIMAL REAR VENTILATION OF THE FAÇADE**

- > Newly designed MEATEC system helps improve your façade's rear ventilation and protects it from moisture damage
- > Problem-free evaporation prevents waterlogged façades

**MEATEC protects the building fabric permanently and puts a stop to expensive structural damage.**

# MEATEC QUICK AND RELIABLE WATER DRAINAGE



## DRY AGAIN FASTER THANKS TO MEATEC

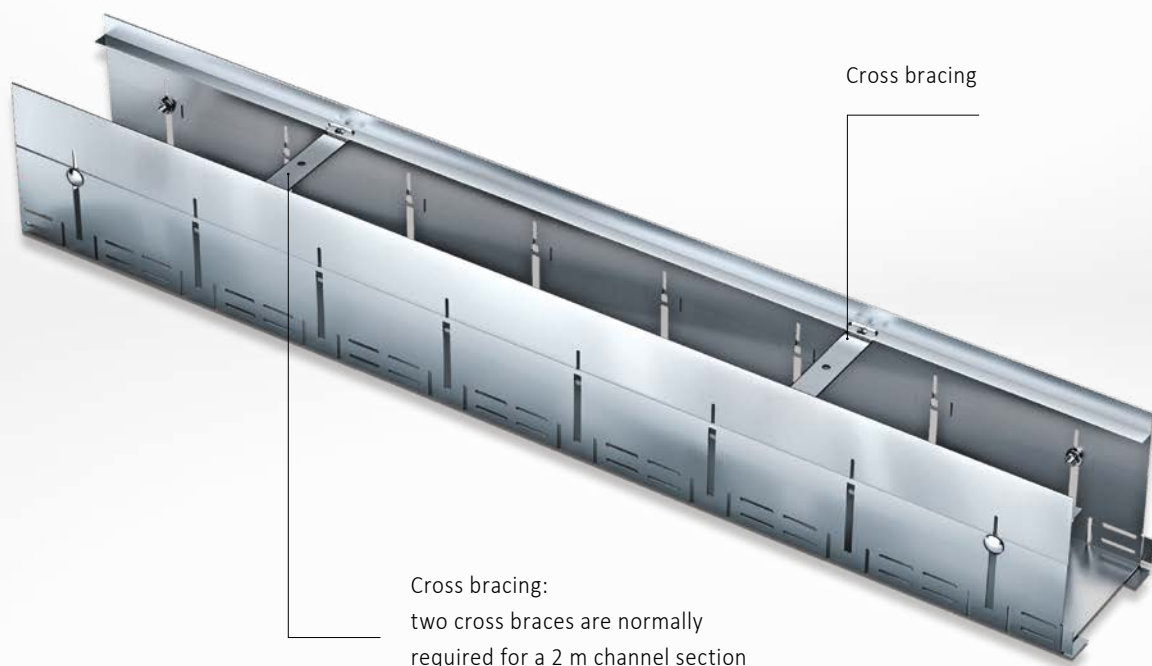
- > Owing to the large number of slots on both sides and the intelligent slot geometry, you can achieve any run-off rate calculated or required by
- > DIN EN 12056-3 and DIN 1986-100
- > Hydraulic calculations can be generated free of charge by our applications engineers
- > The large number of slots on both sides guarantees rapid water drainage.



## PROTECTION AGAINST GRAVEL PENETRATION

The integrated gravel border permits quick and easy installation because there are no loose parts.

- > 3 mm wide slots on both sides for permanently reliable drainage
- > No gravel gets into the water drainage channel



## IMEATEC LIGHTNESS COUPLED WITH EXTREME STABILITY

### **CROSS BRACING AS A STANDARD FEATURE ADDS STABILITY TO DRAINAGE CHANNELS**

Drainage systems are subjected to heavy loads: they must therefore be built to last for several decades with virtually no maintenance.

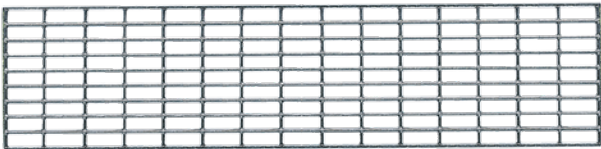
- > Permanently installed cross bracing prevents loss of stability even when the grating covers are removed for cleaning
- > High lateral pressure due to gravel and paving has no effect on the original nominal width

# MEATEC CHANNEL COVERS – ELEGANT AND VERSATILE

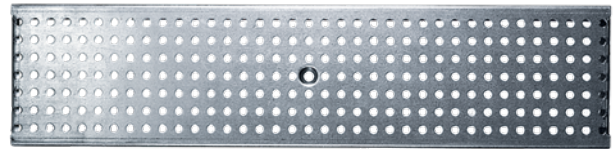
## DESIGN FOLLOWS FUNCTION

“Form follows function” is a well-known design principle – and the MEATEC system is no exception. All components were designed with optimal drainage in mind – at the point where façades meet terraces, roof gardens, balconies and many other kinds of surface. This basic idea runs through the entire MEATEC range:

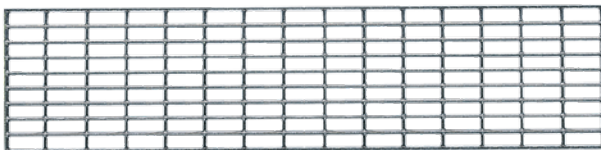
- > Permanently installed cross bracing prevents loss of stability even when the grating covers are removed for cleaning
- > High lateral pressure due to gravel and paving has no effect on the original nominal width



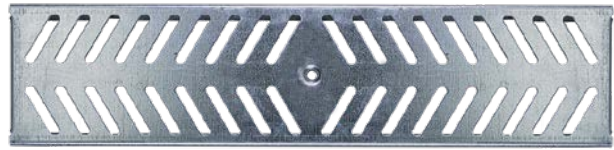
Standard grating: mesh grating in galvanised or stainless steel



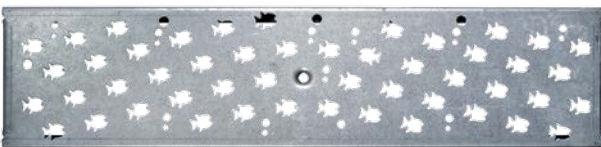
Standard grating: perforated grating for 130 mm nominal width in galvanised or stainless steel



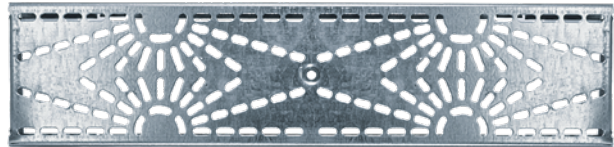
Standard grating: Longitudinal bar grating in galvanised or stainless steel



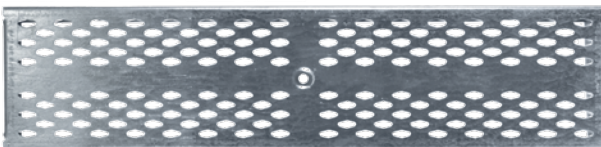
Design grating: RALLYE for 130 mm nominal width in galvanised or stainless steel



Design grating: FISH for 130 mm nominal width in galvanised or stainless steel



Design grating: RAYS for 130 mm nominal width in galvanised or stainless steel

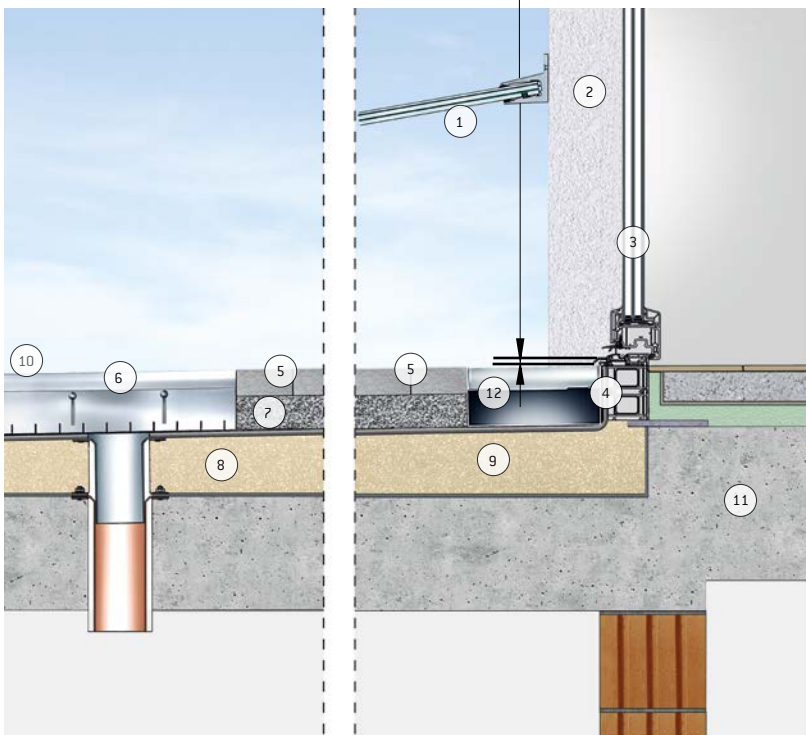


Design grating: LOZENGE for 130 mm nominal width in galvanised or stainless steel

# MEATEC INSTALLATION INSTRUCTIONS

MEATEC installation example: barrier-free construction in accordance with DIN 18040, Parts 1 & 2 and flat roof regulations, section 4.4 (3), Warm roof

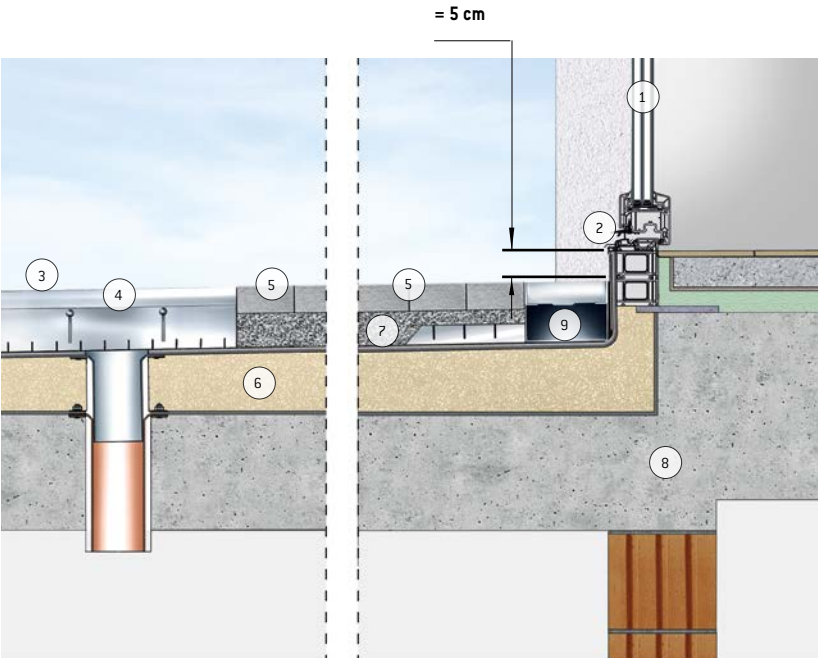
= max. 20 mm threshold acc. to DIN 18040



- 1- Canopy
- 2- Deep reveals
- 3- Terrace door, resistant to driving rain, with weather board, multiple seals
- 4- Seal against water infiltration
- 5- 2% fall
- 6- MEA attachment for roof gullies
- 7- Elevated paving surface or drainage mat
- 8- Sealing layer (with additional protective layer acc. to flat roof regulations)
- 9- Insulation (with built-in fall)
- 10- Emergency drainage according to standard
- 11- Reinforced concrete floor
- 12- **MEATEC 200 - 250**  
MEATEC drainage system, width = 200/250 mm, with hydraulic verification (slotted on both sides to prevent waterlogging)

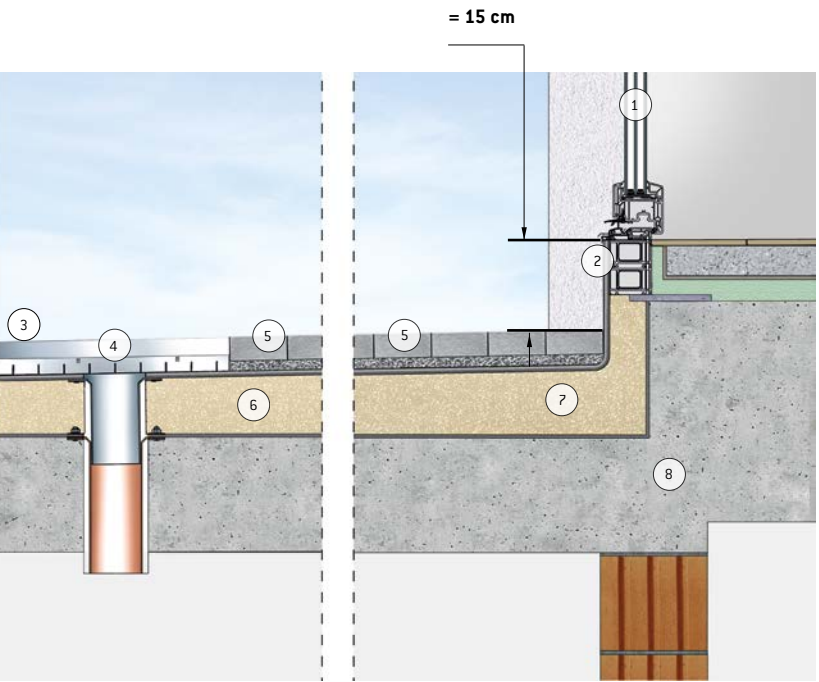


**MEATEC installation example: connection height 5 cm above paving surface in accordance with flat roof regulations, Section 4.4 (2), Warm roof**

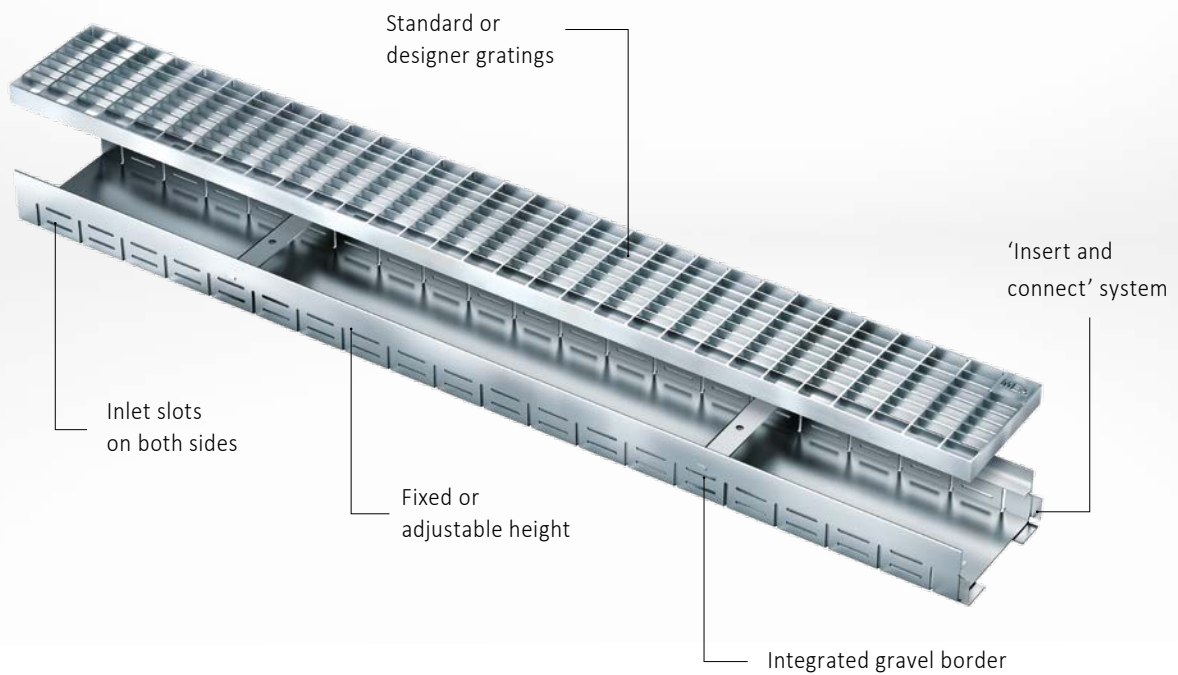


- 1- Terrace door, resistant to driving rain, with weather board, multiple seals
- 2- Seal against water infiltration
- 3- Emergency drainage according to standard
- 4- MEA attachment for roof gullies
- 5- 2% fall
- 6- Sealing layer (with additional protective layer according to flat roof regulations)
- 7- Elevated paving surface, drainage mat or branch channel
- 8- Reinforced concrete floor
- 9- **MEATEC 130**  
MEATEC drainage system, width = 130 mm, with hydraulic verification (slotted on both sides to prevent waterlogging)

**MEATEC installation example (without drainage channel): connection height 15 cm above paving surface in accordance with flat roof regulations, Section 4.4 (2), Warm roof**



- 1- Terrace door, resistant to driving rain, with weather board, multiple seals
- 2- Seal against water infiltration
- 3- Emergency drainage according to standard
- 4- MEA attachment for roof gullies
- 5- 2% fall
- 6- Sealing layer (with additional protective layer according to flat roof regulations)
- 7- Insulation (with built-in fall)
- 8- Reinforced concrete floor



### System versions at a glance

#### MEATEC

- > Fixed heights for  
**MEATEC 100/130/160/200/250 mm nominal width**  
**Heights: 55/70/90/100 mm**  
**Lengths: 2000/1000/500 mm**
- > Adjustable heights for  
**MEATEC 100/130/160/200/250 mm nominal width**  
**Heights: 55 to 90/90 to 150 mm**  
**Lengths: 2000/1000/500 mm**

#### Accessories and gratings for MEATEC

##### 100/130/160/200/250 mm nominal widths at a glance

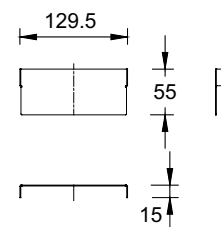
- > End caps in galvanised or stainless steel
- > Branch channel in galvanised or stainless steel
- > Attachment in galvanised or stainless steel
- > 30/10 mesh in galvanised or stainless steel
- > Longitudinal ductile iron grating in galvanised or stainless steel

##### MEATEC 130 mm nominal width only

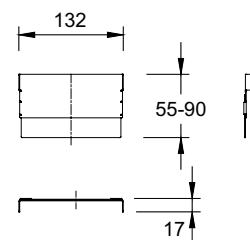
- > Slotted grating in galvanised or stainless steel
- > Perforated grating in galvanised or stainless steel
- > Designer gratings in galvanised or stainless steel

#### Accessories

MEATEC V/E 130 end cap  
with fixed height 55 mm

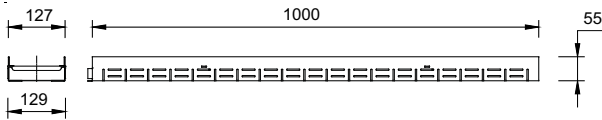


MEATEC V/E 130 end cap  
with adjustable height from 55 to 90 mm

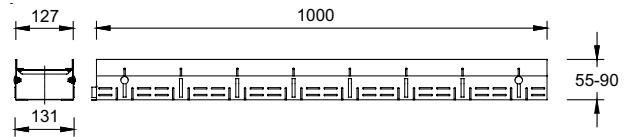


# MEATEC TECHNICAL DETAILS

**MEATEC V / E 130 with fixed height**

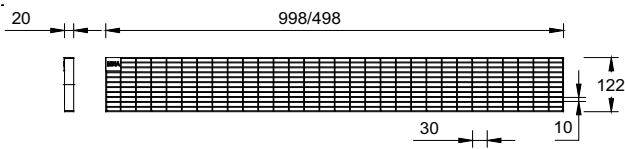


**MEATEC V / E 130 with variable height**

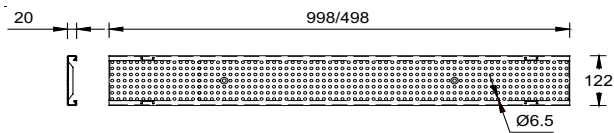


**Channel covers for MEATEC V/E 130**

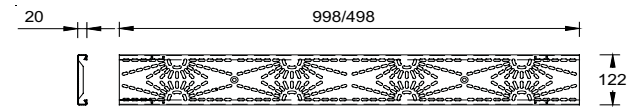
Longitudinal bar grating, loading class A 15, galvanised or stainless steel



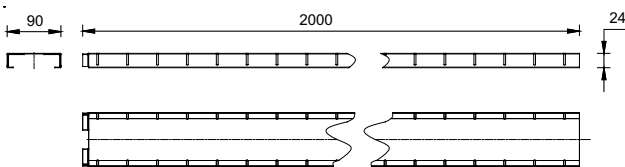
Perforated grating, loading class A 15, galvanised or stainless steel



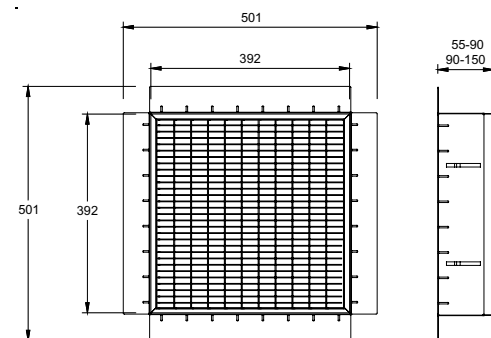
"RAYS" designer grating, loading class A 15, galvanised or stainless steel



MEATEC V/ E 90/24 branch channel, galvanised or stainless steel



400 x 400 attachment, galvanised or stainless steel





# **I**MEATEC ECO-FRIENDLY AND DURABLE

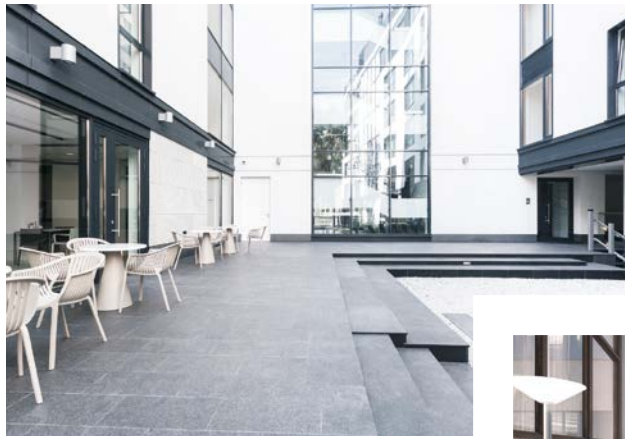
## **ECO-FRIENDLY**

The complete system is manufactured from high-quality galvanised or stainless steel.

- > Fully recyclable system
- > Temperature-resistant and therefore dimensionally stable
- > Non-wearing

**MEATEC – a durable drainage solution and a sound long-term investment.**





INNER COURTYARDS



PENTHOUSES AND GREEN ROOFS



BALCONIES AND TERRACES

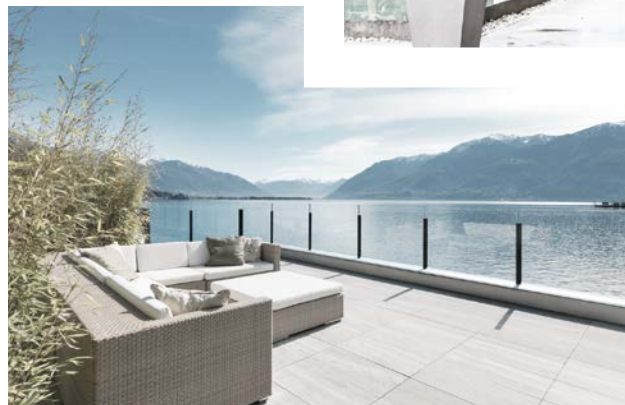
# IMEATEC APPLICATION AREAS



AESTHETIC

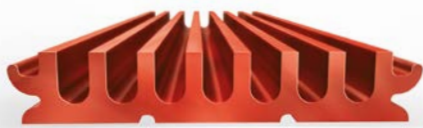


BARRIER-FREE CONSTRUCTION



ROOFTOPS

# THE ADDITIONAL PRODUCT PORTFOLIO OF MEA WATER MANAGEMENT



**MEARIN PG EVO**  
Drainage solutions for  
underground car parks and  
multi-storey car parks



**MEARIN**  
Professional drainage system  
for façades and terraces



**MEADRAIN**  
Ultra light-weight and durable  
professional drainage channels  
made of GRP (up to E 600)



**MEADRAIN TRAFFIC**  
Professional drainage  
systems for the streets  
and motorways



**BUILDING SUCCESS**

MEA Bautechnik GmbH ■ Sudetenstraße 1 ■ D-86551 Aichach ■ [www.mea-group.com](http://www.mea-group.com)  
Business unit MEA Water Management