

FERN.



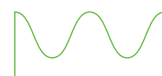
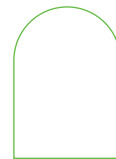
furnitures
shaping outdoor spaces


MADE IN
BRITAIN



FERN.

**Freestanding. Economical.
Robust. No-fuss**



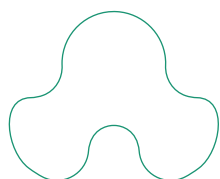
**FERN is all about the form
and even more about function.**

With its slick geometry and clean finish, FERN is freestanding and durable. You can choose from 3 different styles in an array of standard sizes (bespoke also available) to green grey areas of any scheme or project. Above all, FERN will coordinate seamlessly with other products to reach your vision.



FERN, in a nutshell

- Made from 3mm thick recycled steel
- Circular, rectangular or square
- Triple process PPC (to RAL), Stainless steel or Unweathered Corten
- 2 standard heights
- Adjustable feet and drainage pipe supplied
- Forklift or standard base
- Fast lead times



Easy to specify

- 1. Choose your shape**
- 2. Choose your base**
- 3. Choose a standard size or enquire for bespoke**
- 4. Choose your finish**
- 5. Get in touch at sales@furnitubes.com**

Our finishes

FERN comes in **3** types of finishes.

1. Triple process Polyester powder coating (TP)



Unlike galvanising, our TP coating offers smooth coverage of complex shapes and better adhesion - whilst also offering the flexibility of choosing any standard RAL colour.

2. Corten

With its warm finish, Corten is often popular on schemes to soften the landscape; we offer this finish in a preweathered or natural state.



3. Mild steel

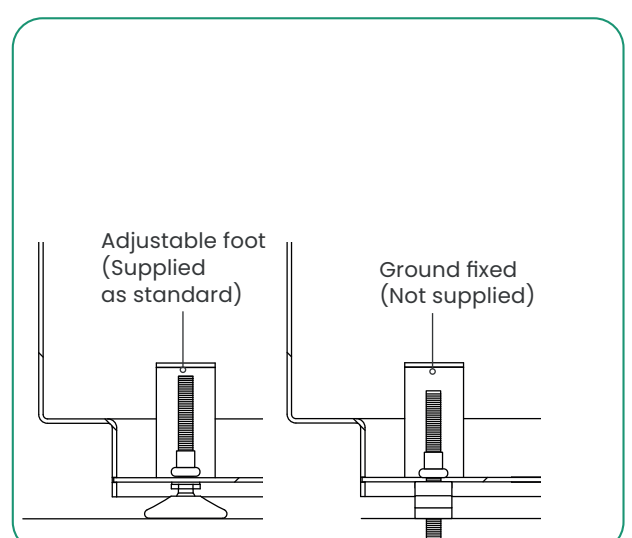
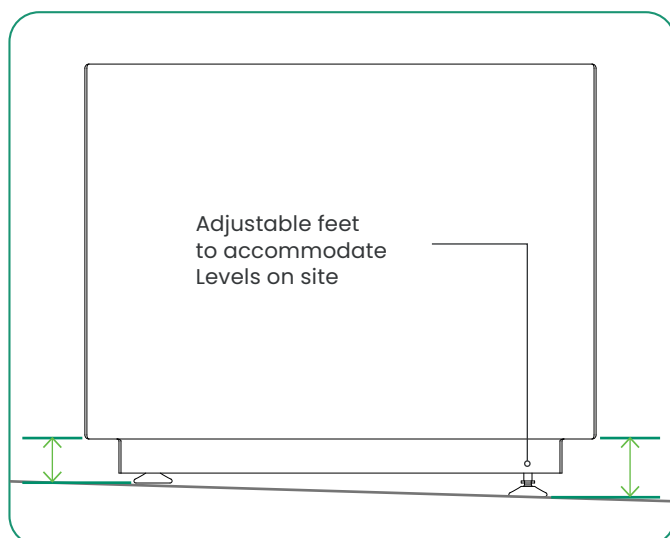
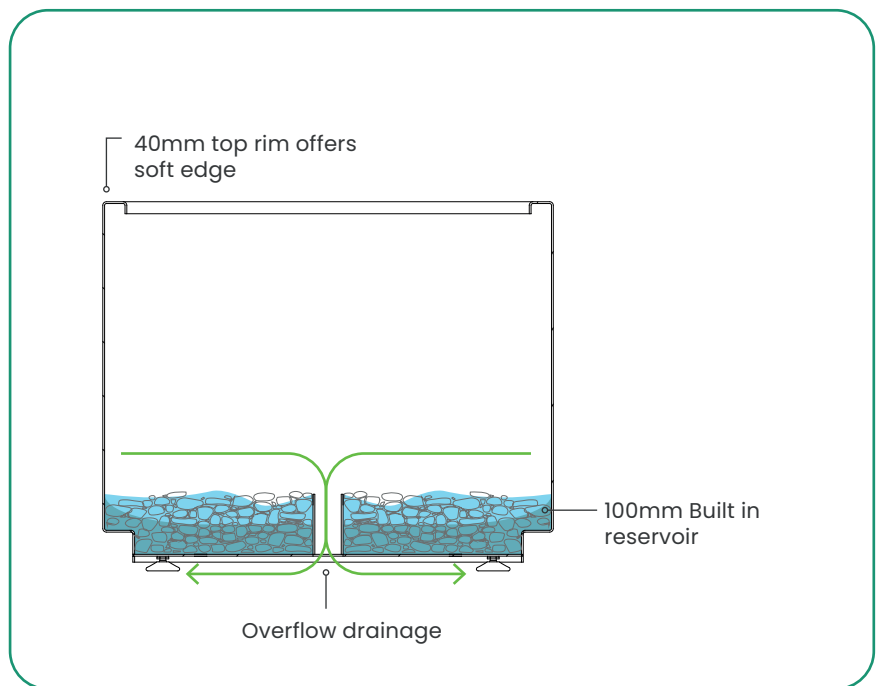
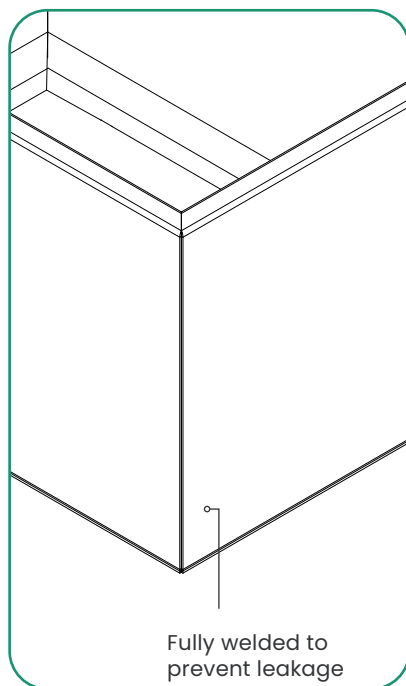
Add a modern touch to any scheme with our stainless steel finish, offering a premium feel to the planter walling.

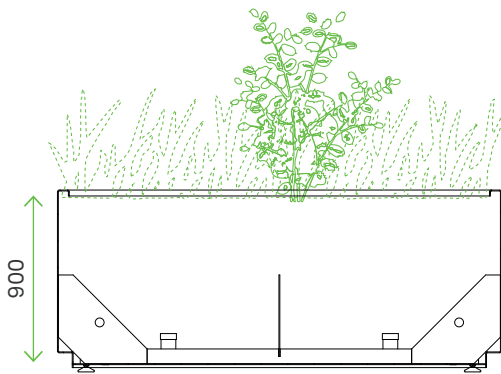


The technical details.

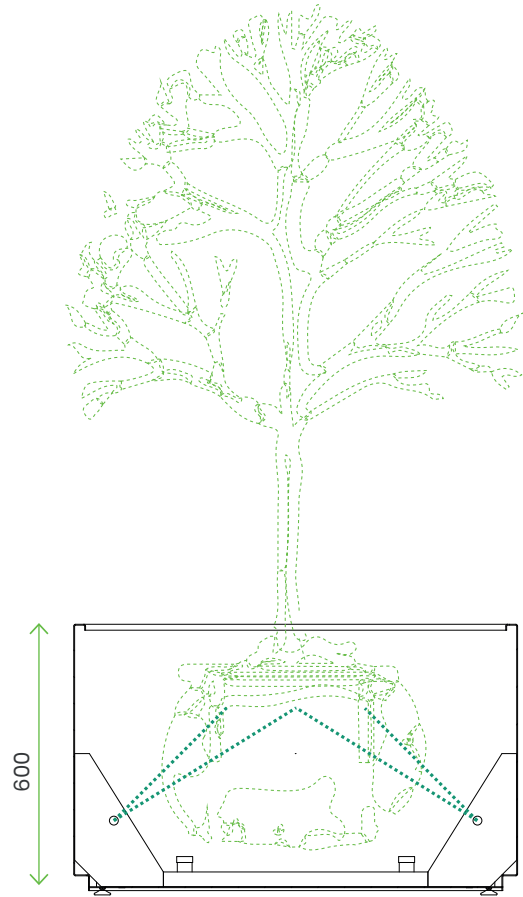
Manufactured from recycled steel, FERN is made from a folded steel plate and comes fully welded for top of the range watertight performance. Simple yet bold, we offer FERN in 3 finishes including triple process PPC to a whole host of RAL colours for even more versatility.

Choose from square, rectangular and circular styles in a standard or forklift base – put the finishes touches on your scheme with these versatile planters. All the technical bits are below.





Low planter
 Suitable for shrubs
 and general planting



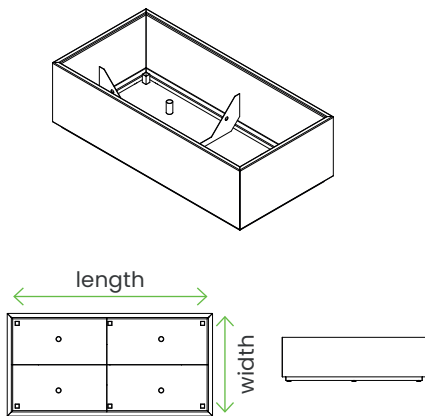
High planter
 Suitable for plants and trees
 with anchor points for the root ball



Standard base.

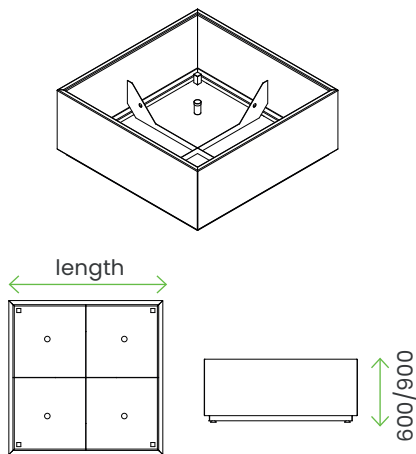
As standard, we produce the FERN planter with a 50mm recess at the bottom, which can also be inset below the paving level to give the planter a sturdier look and clean finish.

RECTANGULAR



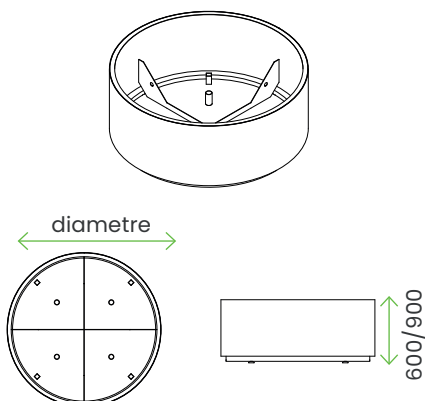
	LENGTH (MM)	WIDTH (MM)	VOLUME (L)	WEIGHT (KG-EMPTY)	CODE
600 - LOW	1000	500	300	60	FRN-1050L
	1000	750	450	70	FRN-1075L
	2000	500	600	100	FRN-2050L
	2000	750	900	125	FRN-2075L
	2000	1000	1200	145	FRN-2010L
900 - HIGH	1000	750	670	95	FRN-1075H
	2000	750	1350	160	FRN-2075H
	2000	1000	1800	190	FRN-2010H

SQUARE



	LENGTH (MM)	VOLUME (L)	WEIGHT (KG-EMPTY)	CODE
600 LOW	1000	600	90	FRN-S10L
900 HIGH	1000	900	120	FRN-S10H
	1500	2020	200	FRN-S15H

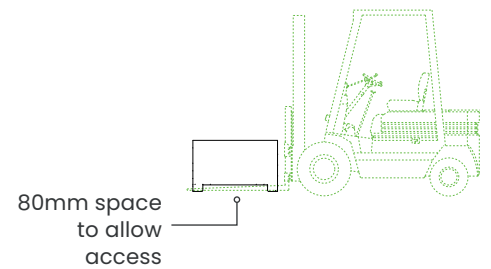
CIRCULAR



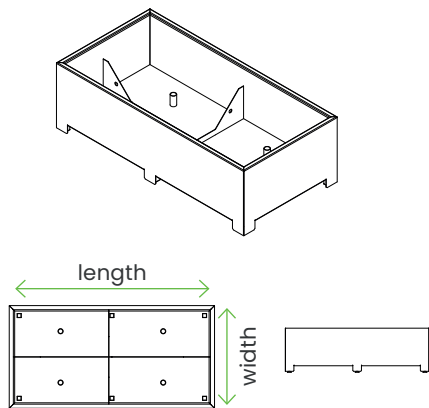
	DIAMETRE (MM)	VOLUME (L)	WEIGHT (KG-EMPTY)	CODE
600 LOW	Ø1000	470	75	FRN-D10L
900 HIGH	Ø1000	700	100	FRN-D10H
	Ø1500	1590	160	FRN-D15H

Forklift base.

We also offer FERN with a forklift base, allowing you to move and place your planters as you wish, all the while providing a more dynamic visual that will add a touch of class to any scheme. Please note, appropriate lifting equipment will be needed.

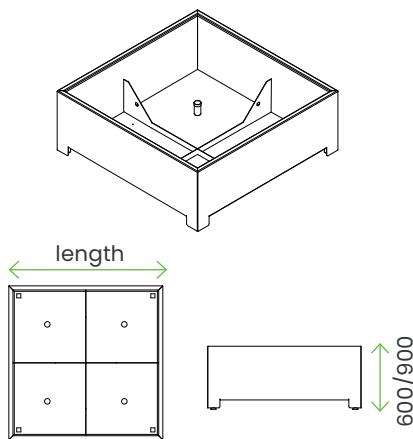


RECTANGULAR



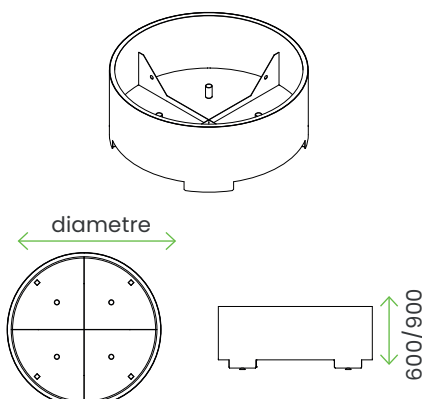
	LENGTH (MM)	WIDTH (MM)	VOLUME (L)	WEIGHT (KG-EMPTY)	CODE
600 - LOW	1000	500	260	80	FRNF-1050L
	1000	750	390	90	FRNF-1075L
	2000	500	520	120	FRNF-2050L
	2000	750	780	160	FRNF-2075L
	2000	1000	1040	170	FRNF-2010L
900 - HIGH	1000	750	670	115	FRNF-1075H
	2000	750	1350	185	FRNF-2075H
	2000	1000	1800	218	FRNF-2010H

SQUARE



	LENGTH (MM)	VOLUME (L)	WEIGHT (KG-EMPTY)	CODE
600 LOW	1000	520	105	FRNF-S10L
900 HIGH	1000	820	135	FRNF-S10H
	1500	1840	230	FRNF-S15H

CIRCULAR



	DIAMETRE (MM)	VOLUME (L)	WEIGHT (KG-EMPTY)	CODE
600 LOW	Ø1000	410	85	FRNF-D10L
900 HIGH	Ø1000	700	110	FRNF-D10H
	Ø1500	1590	185	FRNF-D15H

Why Furnitubes.

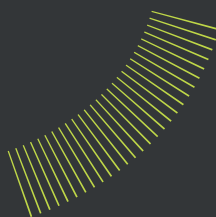
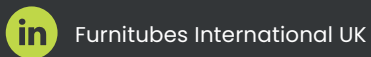
- **Made in the UK**
our factory is based in Kent, so expect faster leadtimes and no supply chain delays
- **Easy to maintain + low labour costs**
we make sure that fixing points are easily accessible so slats and brackets can be changed easily when damaged
- **Modular solutions**
our ranges are modular and customisable, seating and planters can be easily combined, be creative without blowing the budget
- **Our approach**
we take a considered approach to design, it's not just about the end product. We take everything in the process into consideration, we are collaborative and we are committed to producing products that improve our environment & keep people safe.



Our Process.

- **Get in touch** – it's as simple as that, give us a call or drop us an email, we're happy to help whatever the medium!
- **Collaborate** – Depending on your needs, you might not actually need us at this stage, that's the beauty of our modular ranges – they're designed with you in mind, so you can specify with ease. Nevertheless, we are here for you if you do – our design team are always on hand to discuss the nitty gritty of your project.
- **Specification** – This is where our team of experts take the wheel and help you with sketches, CADs and more to help you specify our products as easily as possible.
- **Production + delivery** – all of our products are designed and manufactured in the UK allowing us to give you shorter lead times. With a dedicated project manager keeping you in the loop, you can trust everything is in hand.





furnitubes
shaping outdoor spaces

The Leather Market, Unit 9.1.1, Weston St, London SE1 3ER
T: +44 (0)20 8378 3200
sales@furnitubes.com www.furnitubes.com