

Maximum reliability. Minimum fuss.



# FarBo System

---

Rainwater Outlets

**Product Focus**

# About us

We design, manufacture and supply specialist fasteners and components for the walls and roofs of industrial, commercial and larger residential buildings.

**Over more than four decades we've established a reputation for high quality solutions and above-and-beyond customer support. We have achieved this by adhering to a simple set of aims.**

## **Reliability**

We strive to ensure a reliable service to customers; we supply what you need exactly when you need it. We understand that simplicity is essential regardless of project type or size. That's why we are always searching for ways to make your jobs easier. Our team works closely with everyone involved in the build to ensure the best possible results and help solve any problems quickly and efficiently.

## **Support when you need it**

Whether it's via email, over the phone or on-site our team strive to deliver the support and service you need. We provide advice, training, technical calculations and testing to make specification and installation as straightforward as possible.



### Quality built in

Our products are manufactured to the highest standards, either in our production facility in Kent or at one of our approved manufacturing sites which are factory production controlled in accordance with CE marking and European Technical Approval.

The highest levels of quality and best practice are at the core of our approach. We have achieved accreditation to ISO 9001 - 2015 standard for quality assurance, ISO 14001 standard for environmental management and BS OHSAS 18001 for occupational health and safety.

Our aim is to constantly be evolving and always ready to respond to the changing demands of the industry – meeting the needs and exceeding the expectations of our customers.

### Simply delivered

A fast, accurate delivery is part of our commitment to providing the best customer service in the business.

We have built a delivery service that is responsive and reliable to ensure the components you need are in the right place at the right time.



## FarBo system

### Flow control in water management

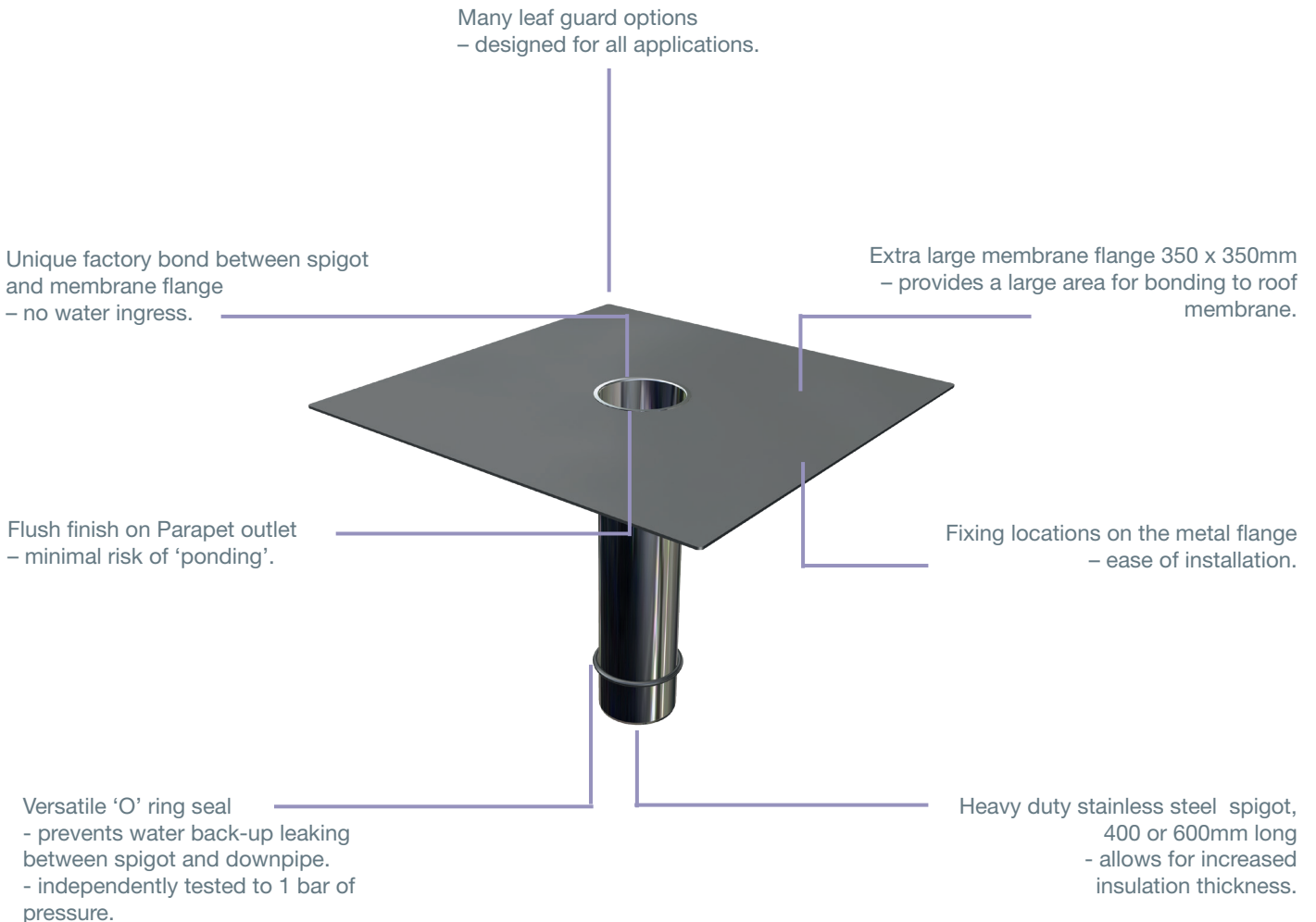
Efficient water management is critical to the longevity of a building. Rainfall onto flat roofs needs to be correctly managed to protect the structure against ingress of water.

The efficiency of water management is greatly enhanced with the use of proven, reliable drainage products. The range of FarBo roof drainage systems from Fixfast is market leading with products covering most applications.

Fixfast are market leaders and we have the expertise and ability on hand in flat roof drainage systems to meet and service the industry requirements. Our range of FarBo drainage outlets are manufactured from high grade, corrosion resistant stainless steel and are available with different membranes to suit the waterproofing membrane used on the roof.

The factory engineered interface between the flange and the spigot provides a proven and effective seal against water ingress.

For more information on these products please refer to the Fixfast Product Directory and datasheets. We also have a service that provides rainwater calculations - please enquire for details on this.



## Proven & tested

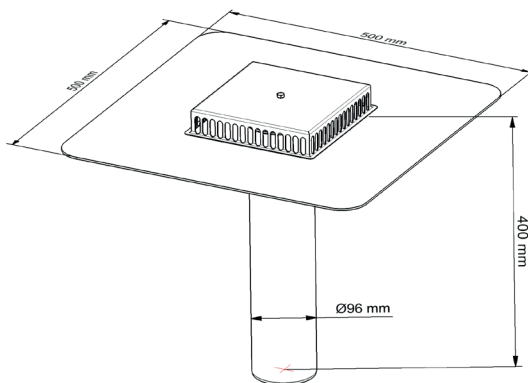
FarBo outlets are manufactured from high grade stainless steel and their robust construction ensures they are durable and long lasting. The factory engineered interface between outlet body and membrane flange provides a proven and effective seal against water ingress.

## Versatile & durable

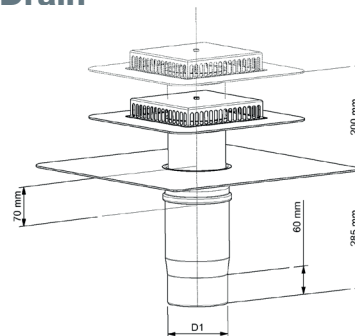
FarBo rainwater outlets are versatile and can be fitted into tight spaces and locations, which allows them to be used in most applications. The outlets are supplied with the versatile 'O' ring seal which reduces the risk of water ingress into the building. The outlet has a very flush finish which minimises the risk of any 'ponding' of the surface water.

## Dimensions and specifications

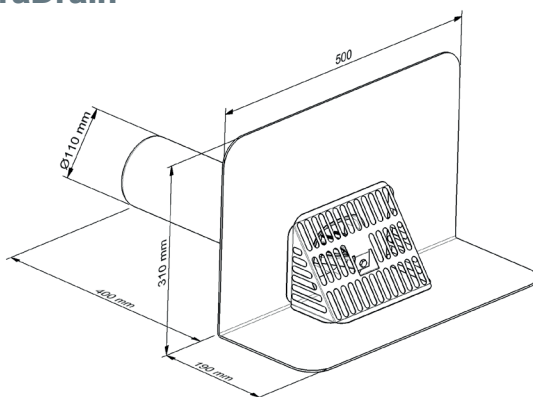
### FloDrain



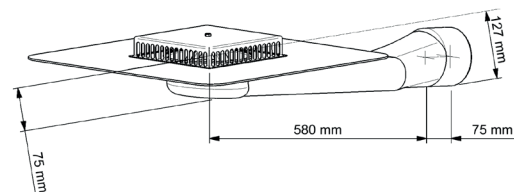
### DuoDrain



### ParaDrain



### SumpDrain



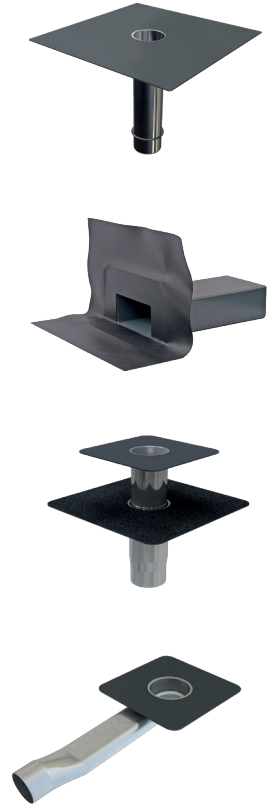
## FarBo Products

**The FloDrain** outlet is a versatile unit that is available in a large range of sizes for both new build and refurbishment applications. The large flange provides excellent coverage and is available in various waterproofing membranes to suit the relevant roof covering

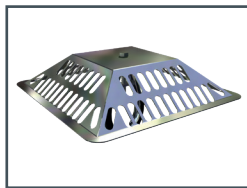
**The ParaDrain** outlet is designed for use in through-wall applications or parapets and is available in three standard pipe sizes from 50mm to 110mm. The flange is available in various waterproofing membranes to suit the relevant roof covering and provides excellent coverage. There is no 'lip' at the entrance to the spigot, reducing the risk of 'ponding' or standing water.

**The DuoDrain** outlet consists of two parts. The lower outlet connects to the VCL to create an effective seal at this crucial interface. The upper outlet is a standard FloDrain which is fitted through the insulation and into the lower outlet creating a watertight connection.

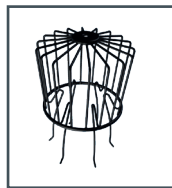
**The SumpDrain** outlet is used for the same application as the ParaDrain, but it is a much more efficient and powerful product. It creates a suction effect to transfer water from the roof using a sump that the water flows into before entering the spigot. This results in greatly enhanced flow rates and efficiency.



## FarBo leaf guards



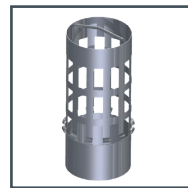
Universal



Wire Ball



Monsoon



Cylindrical



Click



Balcony



Parapet



Cascade

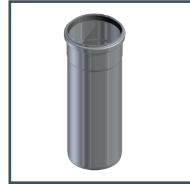


Click-PARA

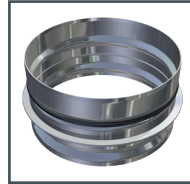
## FarBo Accessories



Reducer Pipe



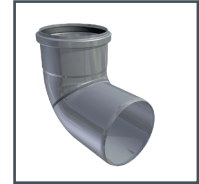
Extension Pipe



Overflow



Flexi Pipe



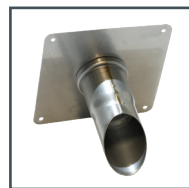
Angle Pipe



Pipe coupling



Pipe insulation



Downspout



Ballast guard



Whether you're at the feasibility design stage or through to final specification and tender, our comprehensive service and technical support is designed to help you.

### **Technical support**

Our technical support team can supply various data depending on your specific requirements. We provide detailed technical reports on request, including rainwater flow rate calculations to BS EN 12056:3-2000.

### **Fixfast reliability**

We have over 40 years of experience, earning the reputation as a supplier our customers can rely on. We also work closely with all the main industry associations, including the NFRC, SPRA, LWRA and GRO. As a result, our drainage systems give you what you need to quickly and confidently deliver long-lasting flat roofs for your clients.

### **Reliable delivery, simplified installation**

Products are shipped from our UK warehouse, which means we can offer a quick delivery on almost everything, including the tools and drill bits your team needs to get the job done properly.





You can contact us at any stage of your project. The earlier you involve our technical team, the more we can help.

### **What to do next**

If you wish to make use of any of our free technical services then you will need to logon to the Fixfast website where you can find our wind load and rainwater calculation forms and site visit request forms.

Using the information you provide and our extensive test data, our expert team will undertake the relevant calculations to determine the optimal flat roof drainage system for your application.

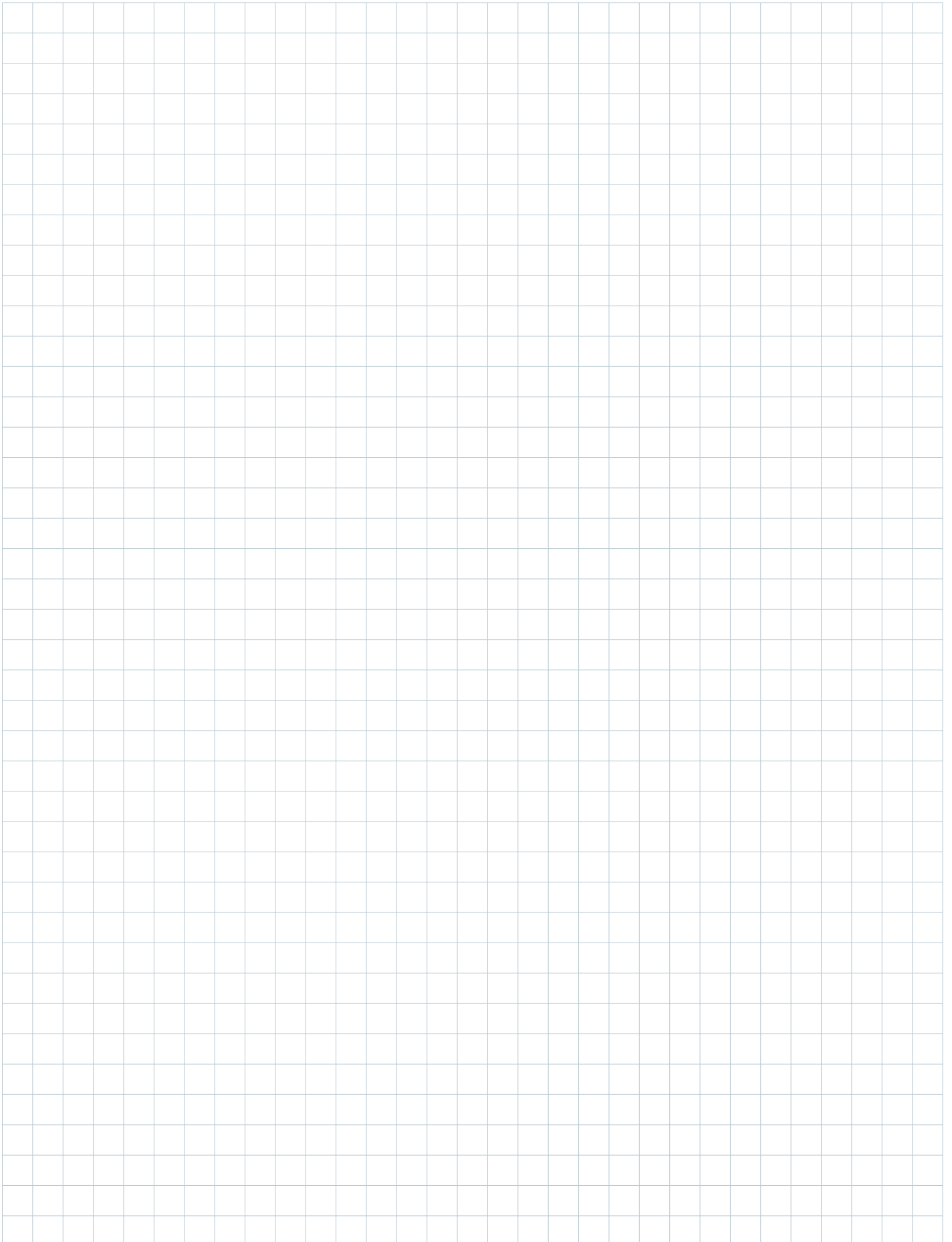
### **Speak with us about your project today:**

By email: [sales@fixfast.com](mailto:sales@fixfast.com)

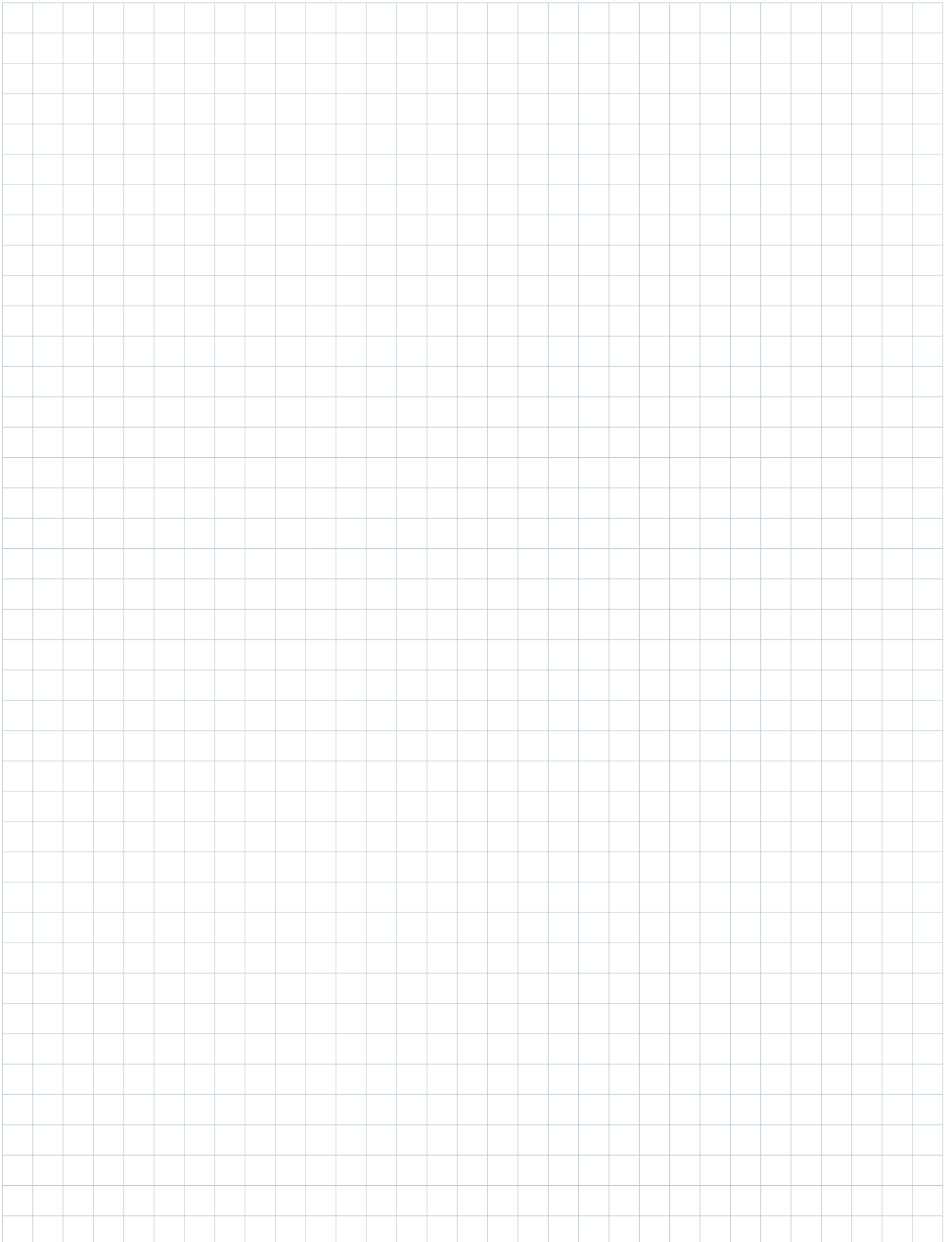
By telephone: 0800 304 7616



# NOTES



# NOTES





Merlin House  
Seven Mile Lane  
Borough Green  
Sevenoaks  
Kent  
TN15 8QY

**Enquiries**  
0800 304 7616  
**International**  
+44 (0) 1732 882387  
**Email**  
info@fixfast.com



Certificate number 10905  
ISO 9001, ISO 14001  
OHSAS 18001