

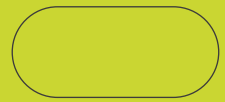
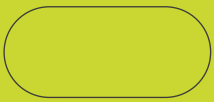
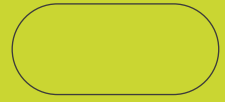
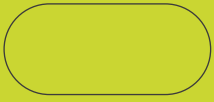
Litter bins.



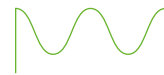
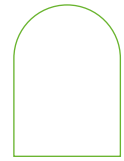
furnitures
shaping outdoor spaces



MADE IN
BRITAIN



Litter bins.



It is estimated 30,000 tonnes of litter are collected from England's streets each year – enough to fill Wembley stadium 4 times over.

Litter bins are essential to keeping a clean, safe, attractive and sustainable environment for residents and visitors of an area. Correct and sufficient placement of litter bins in highstreets, cities and parks encourages use and is vital to keeping areas rubbish free. Choosing a suitable litter bins for your public space can be a minefield, our range of high-quality and functional outdoor litterbins ensures you choose the best model for your scheme or site.

Browse our Litter bin range to find the best suited bin for your scheme. Need help choosing? We offer professional advice to assist your product selection. We also have CAD blocks readily available to easily specify.

Why choose a Furnitubes litter bin?

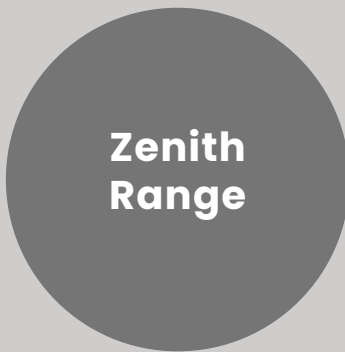
- **Made in the UK** – we design and manufacture in-house
- **Sustainable** – recycled steel for most of our steelwork
- **Easy to maintain** – hardwearing & high-quality products
- **Cost effective** – a litter bin solution to suit all budgets

A litter bin for all sites.



ARCA Range

- Interchangeable components can be **easily replaced** if damaged
- Choose from **4 stunning styles**
- Optional all-steel or with **timber-clad panels**
- Choice of **materials** and **finishes**
- **Features slam lock** and **door restraints** to prevent over-opening
- A range of convenient **customisable** options
- Tailor to **suit your budget**
- Designed and **made by us** in the **UK**



Zenith Range

- 3 sizes to choose from
- Choice of **materials** and **finishes**
- Customise with **vinyl logos, laser cut wording, cigarette stubbers** and **bird-proof flaps**
- **Freestanding, bolt-down** and **pedestal-mounted** installation
- Part of a **coordinated suite** of products
- Designed and made by us in the **UK**



Timber Range

- **2 styles** to choose from
- **Bolt-down** or **in-ground** options
- Complete with **steel liner**
- Made in the **UK**



Dog Bin Range

- Ideal for **parks and open spaces**
- **2 colour options**
- Choice of **fixing options**
- Customise with **vinyl logos**
- Made in the **UK**

ARCA

Litter bins.

Arca is designed so that individual components that may suffer wear or damage over time (such as the lid, lock set, door rims, and body panels) can be easily replaced, therefore avoiding the need to replace the whole bin.

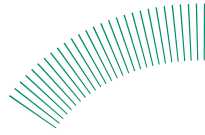
Interchangeable litter bins to suit every scheme

The choice of size, shape, material options, and the bolt-together assembly principles of the Arca range, allows you to specify the combination that best suits your scheme.

All-steel Arca litter bins are ideal for high profile developments, whilst timber-panelled versions are ideal for parks and more rural settings.

Whichever your chosen combination, we can guarantee robust construction, a stylish appearance and interchangeable parts as standard.

Choose your shape.



Circular



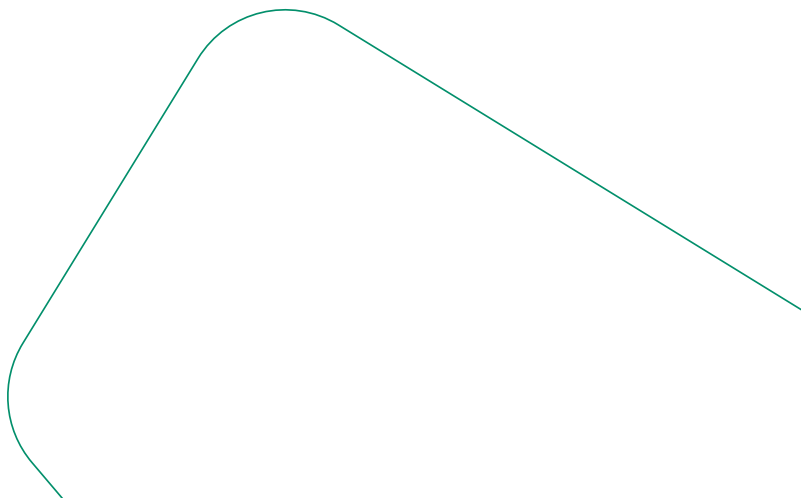
Circular fronted with square back



Square



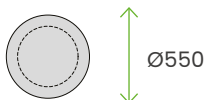
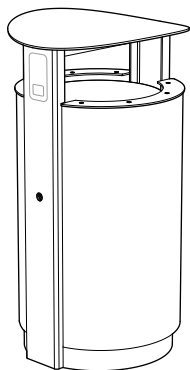
Dual compartment



ARCA Circular litter bin.

All-steel, side-opening door and steel liner

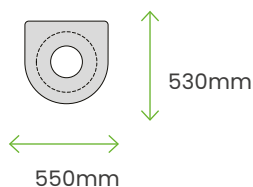
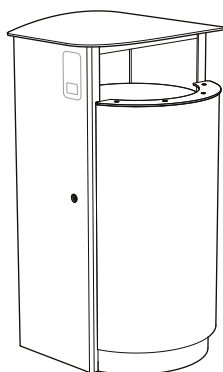
Circular litter bin, standard base for surface-mounted installation



Ø550MM X 1040MM HIGH

ARC5

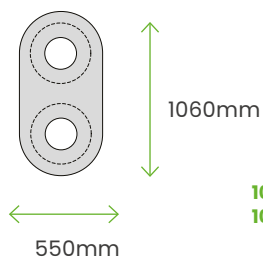
Circular litter bin with square-faced rear, standard base for surface-mounted installation



550MM WIDE X 530MM DEEP X 1040MM HIGH

ARC5F

Dual compartment round-ended litter bin, standard base for surface-mounted installation



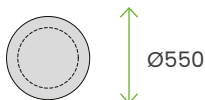
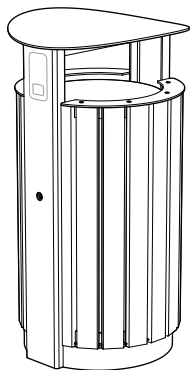
1060MM LONG X 550MM WIDE X 1040MM HIGH

ARC5D

ARCA Circular litter bin.

steel with timber slats, side-opening and steel liner

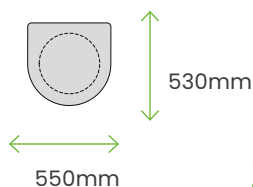
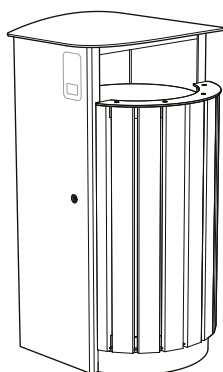
Circular litter bin, standard base for surface-mounted installation



Ø550MM X 1040MM HIGH

ARC5T

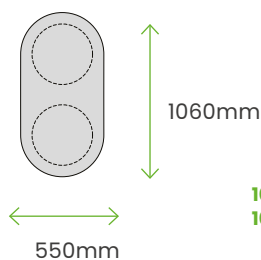
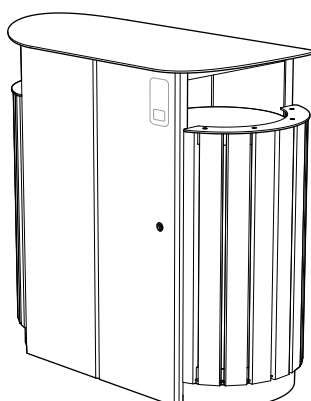
Circular litter bin with square-faced rear, standard base for surface-mounted installation



550MM WIDE X 530MM DEEP X
1040MM HIGH

ARC5FT

Dual compartment round-ended litter bin, standard base for surface-mounted installation



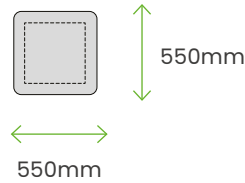
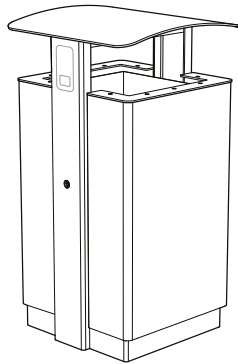
1060MM LONG X 550MM WIDE X
1040MM HIGH

ARC5DT

ARCA Square litter bin.

all-steel, side-opening and steel liner

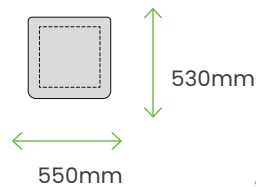
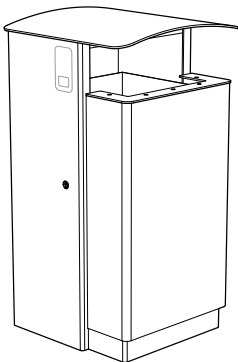
**Square litter bin with apertures to both sides,
standard base for surface-mounted installation**



550MM SQUARE X 1040MM HIGH

ARC8

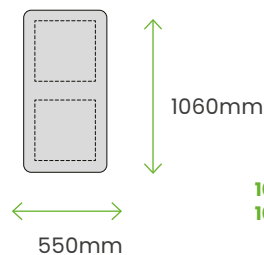
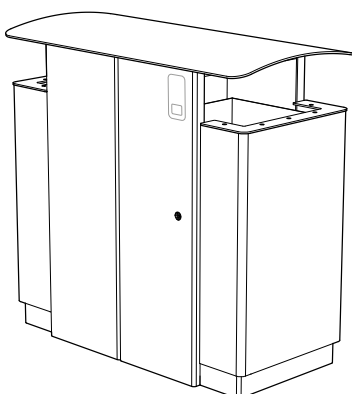
**Square litter bin with front face aperture only,
standard base for surface-mounted installation**



550MM WIDE X 530MM DEEP X
1040MM HIGH

ARC8F

**Dual compartment square-ended litter bin,
standard base for surface-mounted installation**



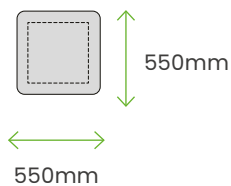
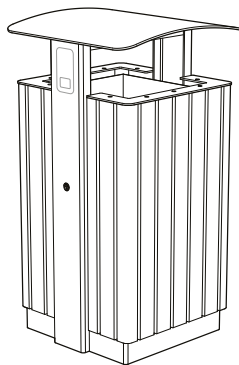
1060MM LONG X 550MM WIDE X
1040MM HIGH

ARC8D

ARCA Circular litter bin.

steel with timber slats, side-opening with lid

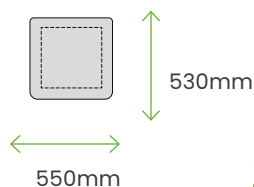
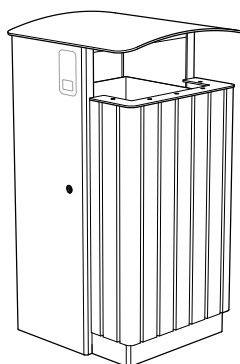
**Square litter bin with apertures to both sides,
standard base for surface-mounted installation**



550MM SQUARE X 840MM HIGH

ARC8T

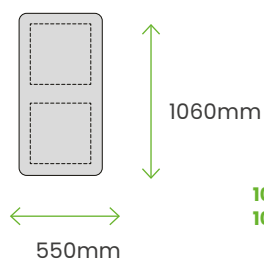
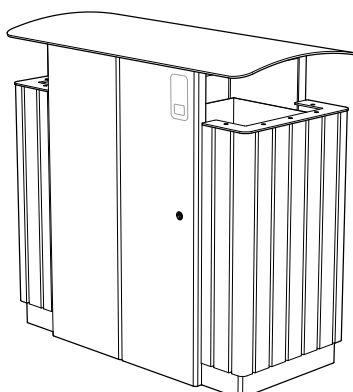
**Square litter bin with front face aperture only,
standard base for surface-mounted installation**



550MM WIDE X 530MM DEEP X
1040MM HIGH

ARC8FT

**Dual compartment square-ended litter bin,
standard base for surface-mounted installation**



1060MM LONG X 550MM WIDE X
1040MM HIGH

ARC8DT

Extras.

- Cigarette stubber and ash waster liner
- Rodent bait base
- Vinyl logo (steel version)
- Timber clad body
- Door rims in different colours

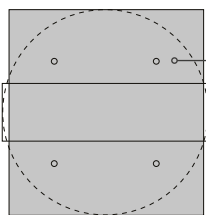
Materials & finishes

- Steel – polyester powder coated finish to standard RAL colour
- Steel liner
- Iroko timber slats with the option to add a UV protective finish

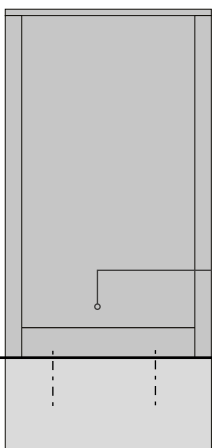
Installation.

Surface mounted

Where the ground onto which the litter bin is to be installed is reasonably level and offers a good base into which to fix ground anchors, we recommend using the standard version of the bin which has a wide base plate built into its base. Bins should be bolted down using the 4 fixing holes in the base for M10 or M12 ground fixings (not supplied).



Indicative positions of fixings holes in base of square and circular bins



Where the bin cannot be bolted to a suitable existing substrate, an independent concrete foundation block should at least match the plan dimensions of the bin and approximately 300mm deep.

Lower edge of door

80mm typical clearance between underside of door and base of bin

Zenith Litter bins.

There's a litter bin suitable for every site with the Zenith® range. A choice of sizes, materials, finishes and installation types are offered to create a range of standard product combinations.

Stylish, strong and durable

As standard all bins feature an integral lid to prevent rainwater ingress, and a side-opening door fitted with a positive engagement slam lock and operated by a simple tri-lock.

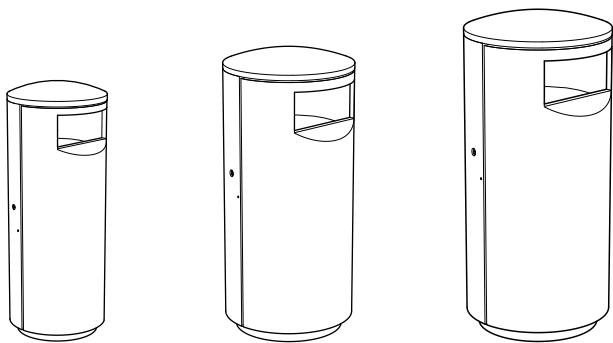
Zenith bins are offered in 3 standard sizes; a surface-mounted version for level sites or fitted to a short pedestal for below ground fixing that suits sloped sites.

The entire range is available in a steel construction with a polyester powder coated finish, in grades 304 or 316 stainless steel in a satin or bright polished finish.

On surface-mounted versions a rodent bait tray is a standard feature and further options across the range include cigarette stubber plates, independent ash waste liners, and a variety of options for graphic displays of the bin's function and / or corporate branding.

Zenith Litter bin range.

ZENITH bolt-down for surface mounting



Ø375MM X 980MM HIGH
LINER CAPACITY 45 LITRES

ZEN555

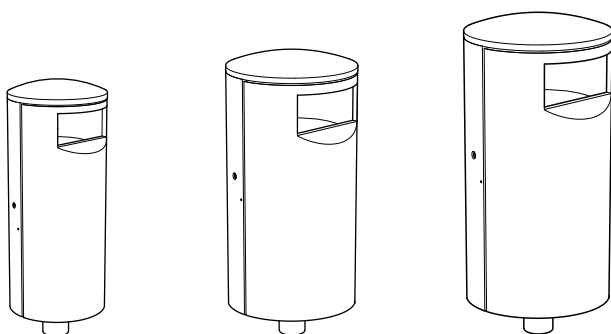
Ø500MM X 1100MM HIGH
LINER CAPACITY 90 LITRES

ZEN500

Ø540MM X 1240MM HIGH
LINER CAPACITY 125 LITRES

ZEN520

ZENITH pedestal for IN-ground installation



Ø375MM X 980MM HIGH
LINER CAPACITY 45 LITRES

ZEN555

Ø500MM X 1100MM HIGH
LINER CAPACITY 90 LITRES

ZEN500

Ø540MM X 1240MM HIGH
LINER CAPACITY 125 LITRES

ZEN520

Extras.

- Bird-proof flaps
- Cigarette stubber and ash waste liner
- Laser cut words / graphics
- Vinyl logos

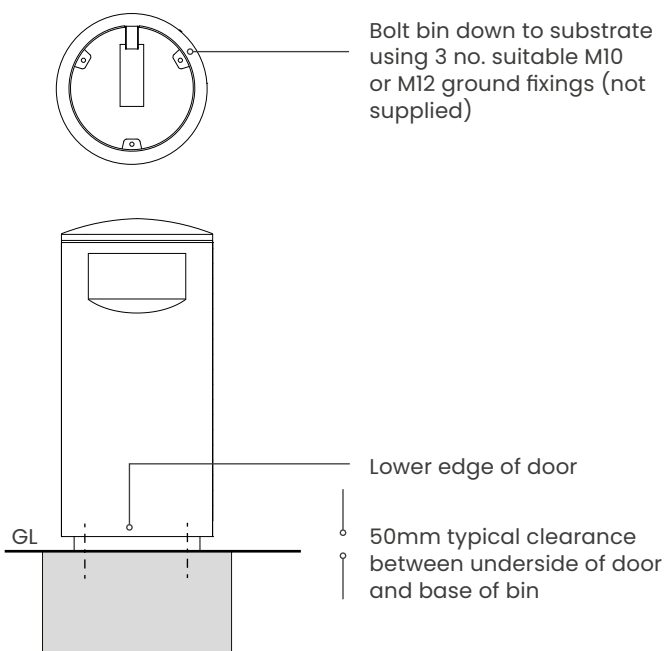
Materials & finishes

- Steel - Triple Process powder coated finish to any RAL colour
- Stainless steel - G304 satin polished
- Stainless steel - G316 satin polished

Installation.

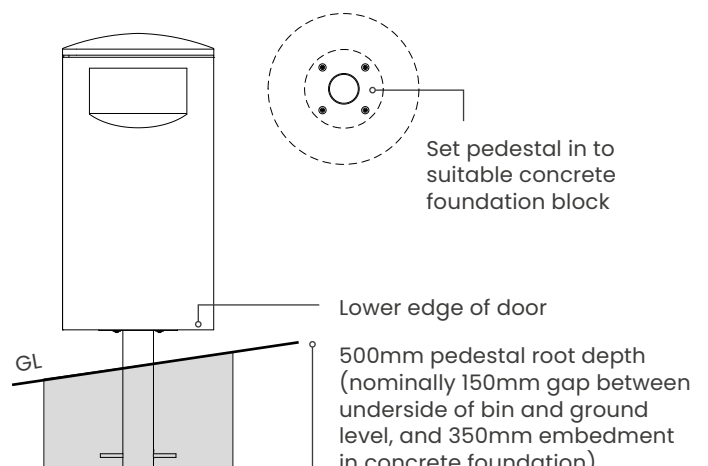
Surface mounted

The solid base version of this Zenith litter bin is best suited to installation on truly level ground and offers the benefit of inclusion of a rodent bait tray as standard. Where the ground is sloping, the pedestal-mounted version is the better solution, as it is installed to a below ground foundation pad which allows for the bin to be installed upright, so that the door opens in a horizontal plane.



Pedestal mounted

Where the ground onto which the litter bin is to be installed is not level, we recommend using the pedestal-mounted versions of the Zenith litter bin. The pedestal should be firmly secured in a suitable concrete foundation block, ensuring that there is adequate clearance (recommended 25mm minimum) above the ground at its highest point to allow free passage of the door. Extra-long pedestals can be supplied if necessary, or with a baseplate for bolting to a below ground level foundation.



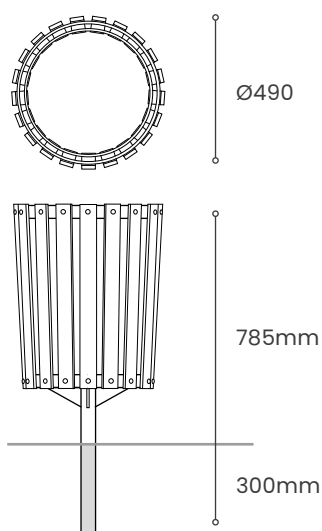
Timber Litter bins.

Natural, economical waste solutions

Timber litter bins are designed ideally for rural and urban public spaces like parks, residential areas and playgrounds. The range is of simple construction and all options offer a 80 litre capacity and come complete with a hard-wearing all steel liner.

Timber Litter bins.

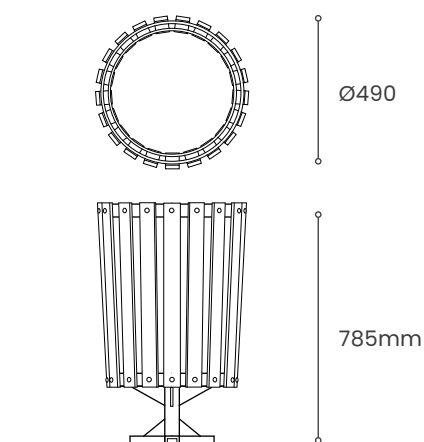
Boston in-ground



Ø490MM X 785MM (A/G)
CAPACITY 80 LITRES

BOS 490 T

Boston bolt-down



Ø490MM X 785MM
CAPACITY 80L

BOS490 TB

Materials.

- Steel – frame in black plastic coated finish
- Steel – galvanised finish
- Iroko timber slats with Sadolin stain
- All steel

Installation.

In-ground

Set in concrete block, 300 x 300mm plan x 350mm deep

Bolt-down

- Boston – 4 no. fixing holes for M8 ground anchors (not supplied)

Dog waste Bins.

The hygienic way to clean up after your pet

The Lucky dog waste bin is designed for ease of use and hygiene. The bin features a stainless steel handle and hinges, and the easylift lid with an integral metal chute conceals the bin's contents and reduces odours. The steel liner is removable to allow regular cleaning.

Dog bins.

Lucky dog bin (root fixed)



410MM X 350MM
CAPACITY 45 LITRES

LUK 745 F

Lucky dog bin (post-mounted)



410MM X 350MM
CAPACITY 45L

LUK 745 P

Lucky dog bin (wall-mounted)



410MM X 350MM
CAPACITY 45L

LUK 745 W

Installation.

Root fixed

- Prepare a Foundation hole with a minimum size of 350 x 350 x 500mm deep
- Securely attach the dog waste bin to the post
- Backfill the excavated foundation with concrete mix to 25 newtons
- Ensure the dog waste bin and post are vertical
- Finish surface to suit local site requirement

Post mounted

- Bin is supplied with brackets to suit banding on to existing post
- Post and banding are not supplied
- Jubilee style clips are supplied as an alternative

Wall mounted

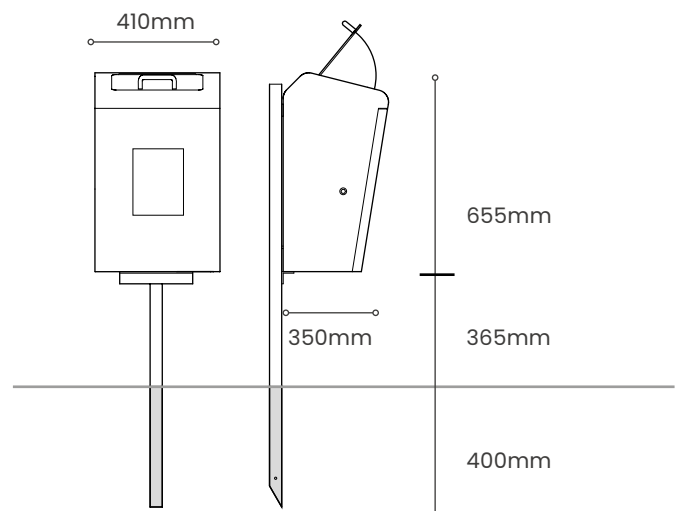
- Bin is supplied with pre-drilled holes for wall fixings (not supplied)

Extras.

- Vinyl logos

Materials & finishes

- Steel - galvanised finish post
- Steel - galvanised and powder coated red, black or green colour



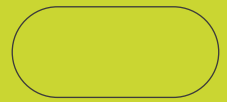
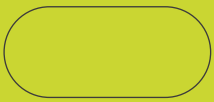
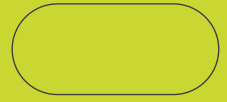
Why Furnitubes.

- **Made in the UK**
our factory is based in Kent, so expect faster leadtimes and no supply chain delays
- **Easy to maintain + low labour costs**
we make sure that fixing points are easily accessible so slats and brackets can be changed easily when damaged
- **Modular solutions**
our ranges are modular and customisable, seating and planters can be easily combined, be creative without blowing the budget
- **Our approach**
we take a considered approach to design, it's not just about the end product. We take everything in the process into consideration, we are collaborative and we are committed to producing products that improve our environment & keep people safe.



Our Process.

- **Get in touch** – it's as simple as that, give us a call or drop us an email, we're happy to help whatever the medium!
- **Collaborate** – Depending on your needs, you might not actually need us at this stage, that's the beauty of our modular ranges – they're designed with you in mind, so you can specify with ease. Nevertheless, we are here for you if you do – our design team are always on hand to discuss the nitty gritty of your project.
- **Specification** – This is where our team of experts take the wheel and help you with sketches, CADs and more to help you specify our products as easily as possible.
- **Production + delivery** – all of our products are designed and manufactured in the UK allowing us to give you shorter lead times. With a dedicated project manager keeping you in the loop, you can trust everything is in hand.





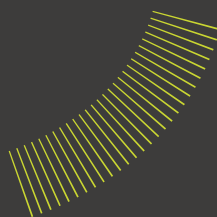
Furnitubes



Furnitubes



Furnitubes International UK



furnitubes
shaping outdoor spaces

T: +44 (0)20 8378 3200
E: sales@furnitubes.com
www.furnitubes.com