

**MATERIAL CHARACTERISTICS**

<b>FIBERGLASS COMPOSITE</b>	glass-fibre-reinforced polyester, mineral fillers, additives
<b>TENSILE STRENGTH</b>	65 N/mm <sup>2</sup> (ISO 527)
<b>BENDING STRENGTH</b>	120 N/mm <sup>2</sup> (ISO 14125)
<b>ELASTICITY MODULE</b>	10.000 N/mm <sup>2</sup> (ISO 14125)
<b>DENSITY</b>	2,0 g/cm <sup>3</sup> (ISO 1172)
<b>COEFFICIENT OF LINEAR EXPANSION</b>	1,5 - 2,0 x 10 <sup>-5</sup> 1/K
<b>HEAT RESISTANCE</b>	100°C continuous load, up to 240°C with a load duration up to 110 min.
<b>FROST RESISTANCE</b>	-35°C
<b>WATER PENETRATION LEVEL</b>	0 mm
<b>WATER ABSORPTION</b>	0,078 % (EN ISO 62:2008-05 Procedure 1)
<b>MATERIAL STRUCTURE</b>	Capillary free

**PURPOSE OF USE**

Component for the line drainage of surfaces in order to collect, transport and discharge rainwater from adjacent fixed surfaces.

**DESIGNS**

- / Length 1000 mm
- / Length 500 mm
- / Length 500 mm as a change of flow direction
- / Constructive height 242 mm
- / Constructive height 100 mm (flat channel)
- / Flat channel with Ø 110 mm connector
- / In grey and black

**ACCESSORIES**

- / Inlet box
- / End cap closed
- / End cap with drain socket Ø 160 mm
- End cap for the lateral connection with connection piece Ø 160 mm
- / Adapter for lateral channel connection (corner, T and cross connections)
- / Vertical drain socket Ø 160 mm
- / Odour trap including dirt filter and dirt trap

**EDGE PROTECTION**

- / Glass-fibre-reinforced composite

\*\* Not suitable for the diagonal or transverse travel of motorways and highways.

# MEARIN PLUS 200 / -PLUS F 200 / -BLACK

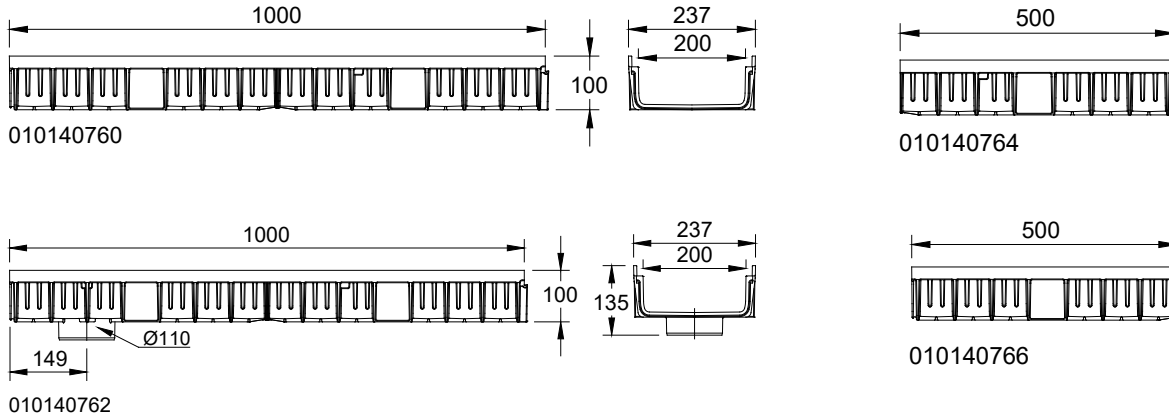
A 15, B 125, C 250, D 400\*\*

nominal width 200

## MEARIN PLUS F 200 / MEARIN PLUS F 200 BLACK SHALLOW DRAINAGE CHANNEL WITH A GLASS-FIBRE COMPOSITE EDGE AND SEALING JOINT ACCORDING TO EN 1433

Drainage channel made of glass-fibre-reinforced material. Clear width 200 mm, constructive width 237 mm.

Suitable for drainage channel covers **MEA 200 CLIPFIX** and **MEA TSH 200 TOPSLOT**. For the realization of water level slopes. Load capacity according to specification, when installed according to the MEA installation information.



## MEARIN PLUS F 200 / MEARIN PLUS F 200 BLACK DRAINAGE CHANNEL WITHOUT FALL, LOADING CLASSES A 15 TO D 400\*\* ACCORDING TO EN 1433

Designation	Ord. No.	Length [mm]	Height [mm]	kg/unit
MEARIN PLUS F 200.0/100 drainage channel body	010140760	1000	100	3,38
MEARIN PLUS F 200.0 A/100 drainage channel body with Ø 110 mm connector <sup>8)</sup>	010140762	1000	100	3,38
MEARIN PLUS F 200.1/100 drainage channel body	010140764	500	100	1,69
MEARIN PLUS F 200.1 RW/100 drainage channel body <sup>15)</sup>	010140766	500	100	1,69
MEARIN PLUS F 200.0/100 BLACK drainage channel body	010140763	1000	100	3,38
MEARIN PLUS F 200.0 A/100 BLACK drainage channel body with Ø 110 mm connector <sup>8)</sup>	010140765	1000	100	3,38
MEARIN PLUS F 200.1/100 BLACK drainage channel body	010140767	500	100	1,69
MEARIN PLUS F 200.1 RW/100 BLACK drainage channel body <sup>15)</sup>	010140769	500	100	1,69

\*\* Not suitable for the diagonal or transverse travel of motorways and highways.

8) With tight formed-in drain socket Ø 110 mm.

15) Utilization option as a flow direction change.

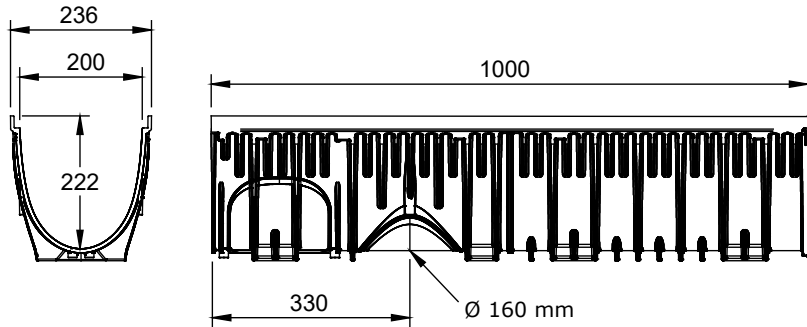
# MEARIN PLUS 200 / -PLUS F 200 / -BLACK

A 15, B 125, C 250, D 400\*\*

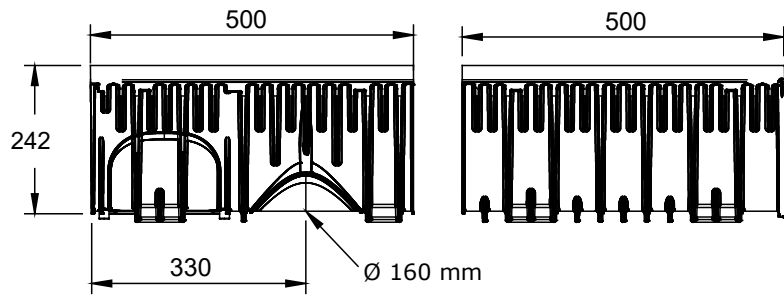
nominal width 200

## MEARIN PLUS 200 DRAINAGE CHANNEL WITH A GLASS-FIBRE COMPOSITE EDGE AND SEALING JOINT ACCORDING TO EN 1433

Drainage channel made of glass-fibre-reinforced material. Clear width 200 mm, constructive width 236 mm. Suitable for drainage channel covers **MEA 200 CLIPFIX** and **MEA TSH 200 TOPSLOT**. For the realization of water level slopes. Load capacity according to specification, when installed according to the MEA installation information.



012140034



012140038

012140036

## MEARIN PLUS 200 DRAINAGE CHANNEL BODY WITHOUT FALL, LOADING CLASSES A 15 TO D 400\*\* ACCORDING TO EN 1433

Designation	Ord. No.	Length [mm]	Height [mm]	kg/unit
MEARIN PLUS 200.0 drainage channel body <sup>5) 14)</sup>	012140034	1000	242	6,00
MEARIN PLUS 200.1 drainage channel body <sup>3)</sup>	012140036	500	242	3,35
MEARIN PLUS 200.1 RW drainage channel for change if waterflow direction <sup>5) 14) 15)</sup>	012140038	500	242	3,35

\*\* Not suitable for the diagonal or transverse travel of motorways and highways.

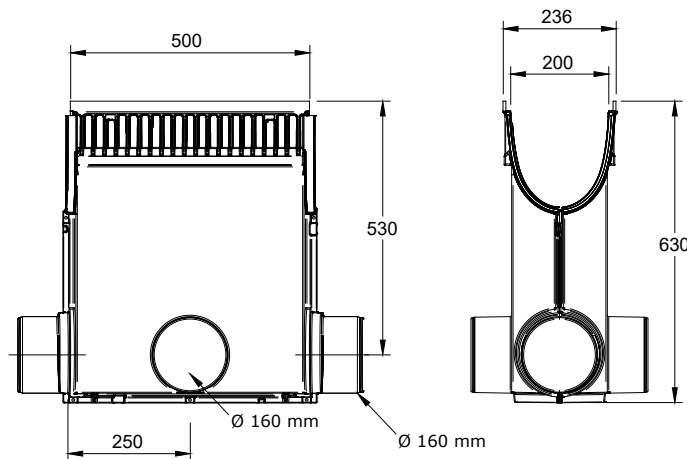
3) Connection option for end caps with nozzle or gully.

5) Connection option for vertical drain Ø 160 mm (drainage deformation), end caps with connector or to gullies/silt boxes

14) Connection option for corner-, t- and cross- connections.

15) Utilization option as a flow direction change.

**MEARIN PLUS 200 / MEARIN PLUS F 200 / MEARIN PLUS F 200 BLACK ACCESSORIES**



012140040

**MEARIN PLUS 200 GULLY WITH DRAINAGE CHANNEL COVER, WITH SEDIMENT BUCKET\*\***

Designation	Ord. No.	Length [mm]	Height [mm]	kg/unit
MEARIN PLUS 200.0 gully + C 250 ductile iron slotted grating 0,5 m CXL + sediment bucket	012140794	500	630	11,65

**MEARIN PLUS 200 GULLY WITHOUT DRAINAGE CHANNEL COVER, WITH SEDIMENT BUCKET\*\***

Designation	Ord. No.	Length [mm]	Height [mm]	kg/unit
MEARIN PLUS 200.EK Gully with pipe connector Ø 160 mm, incl. sediment bucket	012140040	500	630	7,60
MEARIN PLUS / EXPERT 200 sediment bucket	010710067	-	-	0,70

\*\* Not suitable for the diagonal or transverse travel of motorways and highways.

# MEARIN PLUS 200 / -PLUS F 200 / -BLACK

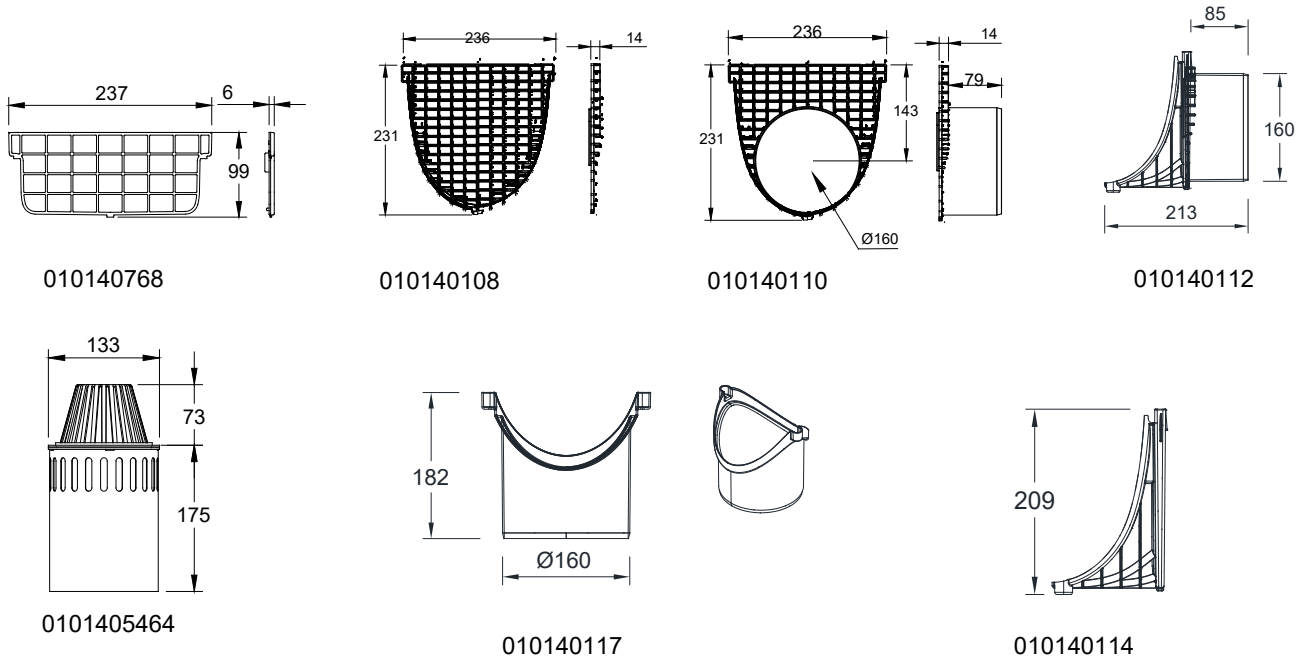
A 15, B 125, C 250, D 400\*\*

nominal width 200



BUILDING SUCCESS

## MEARIN PLUS 200 / MEARIN PLUS F 200 / MEARIN PLUS F 200 BLACK ACCESSORIES



## MEARIN PLUS 200 / MEARIN PLUS F 200 / MEARIN PLUS F 200 BLACK END CAPS AND CONNECTION ACCESSORIES

Designation	Ord. No.	Material	kg/unit
MEARIN PLUS F 200.SE End cap closed for channel start/end	010140768	PC	0,04
MEARIN PLUS F 200.SE BLACK End cap closed for channel start/end	010140771	PC	0,04
MEARIN PLUS/EXPERT 200 End cap closed for channel start/end	010140108	PP	0,18
MEARIN PLUS/EXPERT 200 End cap with pipe socket Ø 160 mm for channel end	010140110	PP	0,19
MEARIN PLUS/EXPERT 200 End cap with pipe socket Ø 160 mm for lateral channel connector	010140112	PP	0,24
MEARIN PLUS/EXPERT 200 Adapter for lateral channel connector, to corner, t and cross connections	010140114	PP	0,09
MEARIN PLUS/EXPERT 150 & 200 Vertical outlet connection Ø 160 mm	010140117	PP	0,14
MEARIN PLUS/EXPERT 200 Odour trap with dirt filter and dirt trap	010140546	PP/ Galv. steel	2,00

\*\* Not suitable for the diagonal or transverse travel of motorways and highways.

**JOINTING COMPOUNDS FOR STANDARD APPLICATIONS\*\*\***

Designation	Ord. No.	Material	kg/unit
SABA MS Floor GREY sealant 600 ml in a bag, stable	010152708	MS Polymer basis	0,84
SABA MS Floor BLACK sealant 600 ml in a bag, stable	010152700	MS Polymer basis	0,84
SABA Primer 9102 for undercoat, 1 litre	010155803	Silane basis	0,92
Joint Cleaner solvent 48, 1 litre, Cleaner for adhesive flanks	010155807	-	0,84
Dispensing gun for 600 ml bags	010152707	-	0,63

\*\* Not suitable for the diagonal or transverse travel of motorways and highways.

\*\*\* For watertight mounting of drainage channels (only for channels transporting rainwater). Not suitable for installation in LAU facilities, gas stations or similar constructions.

This edition of the technical data sheet shall be valid from September 2021 until a revised version is published and replaces any previous publications. The respectively current version is available for download at [www.mea-group.com](http://www.mea-group.com).

MEA Bautechnik GmbH  
 Business Unit MEA Water Management  
 Sudetenstraße 1  
 86551 Aichach  
 Tel.: +49 (0) 82 51. 91 0  
 Fax: +49 (0) 82 51. 91 13 06  
 E-Mail: [info@mea-group.com](mailto:info@mea-group.com)  
[www.mea-group.com](http://www.mea-group.com)