



GEZE PACE

Pedestrian Access
Control Equipment







Contents.

SB range Turnstiles with blades	5
SW range Turnstiles with a sweeper system	8
SG range Turnstiles with swing gates	12
TT range Turnstiles with tripod arms	15
RT range Turnstiles with a rotor system	21
ST range Full height turnstiles	23
Additional Equipment	24



PACE Pedestrian Access Control Equipment.

GEZE, in partnership with TiSO, introduces PACE Pedestrian Access Control Equipment – a range of pedestrian traffic control products that complements our automatic door control systems to offer a complete solution of building entrances providing safety and security.

The range includes tripod turnstiles, swing gates, rotor turnstiles, speed gates, full height turnstiles as well as associated products such as emergency gates, platforms, card readers and card collectors.

From the simplest, easy to install, tripod system for use in buildings such as leisure centres to the most stylish, highly sophisticated, security system with anti-tailgating sensors designed for the most demanding government buildings or banking institutions, there is a system to perfectly fit.

JUST SOME OF THE OPTIONS AVAILABLE INCLUDE:

- Bi-directional flow of traffic
- Standard or wide lanes
- Anti-tailgating sensors
- Illuminated glass panels or wings
- Range of housing finishes – brushed stainless steel, polished stainless steel, RAL powder coating
- Option to operate with card readers
- Suitable for disability access
- Full technical support, cad drawings, technical data sheets
- Warranty 12-24 months.

All products are manufactured in strict compliance with international standards and meet all modern, quality, safety, design and usability requirements. That is proved by such certificates as Certificate of Conformity No. OSE –12-1017/02; Certificate of Conformity of Quality Control System to requirements of the standard ISO 9001:2008; SK certificate of constancy of performance of essential characteristics of product according to STN EN 16034:2015 No. SK01-ZSV-0340; Certificate UL No. 20150713-R27834; Certificate DSTU ISO 9001:2009; Certificate of Conformity, according to EU Directives: 2006/42/EC; 2014/30/EU; 2014/35/EU; Certificate of passed barrier testing program ASTM F2656-07; Certificate of passed barrier testing program ASTM F2656/F2656M-15; Certificate of passed barrier testing program IWA 14-1:2013.

GEZE's PACE range of pedestrian access control combines perfectly with GEZE automatic door systems to give specifiers and building owners the complete package to control the flow of people in and around a building ensuring safety and security at all times for those using it.

 Passage width, mm	 Access control system
 Opening/closing, sec	 Push button
 Free access, pers/min	 Motorised
 Single pass, pers/min	 Bi-directional
 Protection level*	 Anti-tailgating
 Version for disabled available	 Drop-arm

* First figure is standard, all other available upon request.

Product specifications and complete sets may differ from that shown on the photo. Drawings in catalog are placed for reference. Dimensions may vary depending on configuration.



SB 100 & SB 100 Telescopic

THE SB 100 AND SB 100 TELESCOPIC ARE MOTORISED TURNSTILES FEATURING SLIDING BLADES.

The housing material and lightweight cabinet shape make the SB 100 and SB 100 Telescopic turnstiles suitable for a large variety of facilities, especially those with a requirement for aesthetically attractive equipment. In addition, the SB 100 and SB 100 Telescopic include an anti-tailgating function. The sliding blades are made of glass, with polycarbonate an option. Turnstiles can be controlled by push button or via an access control system.

When power goes OFF both directions are free.

Controlled by:  Access control system  Push button



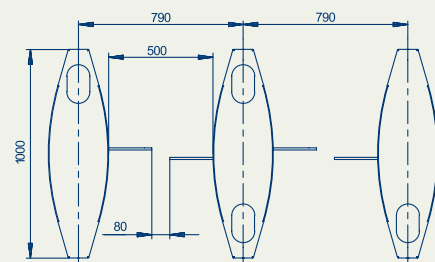
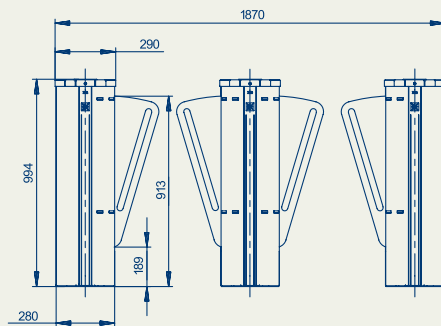
 Passage width 900 mm for disabled (telescopic)

TECHNICAL SPECS:

Width, mm	Single pass (500) - 1080 Two-pass (500 + 500) - 1870
Length, mm	1000
Height, mm	994
Weight, kg (not more)	Single pass - 202 Two-pass - 324
Mechanism	Motorised
Standard housing	Brushed SS AISI 304
Available housing	Brushed SS AISI 316 Polished SS AISI 304 Polished SS AISI 316 Powder coated RAL

ELECTRICAL SPECS:

- Voltage:
 - from the AC (100-240)V, 50/60Hz;
 - from a DC source 12 V
- Maximum power consumption 155 W per pass





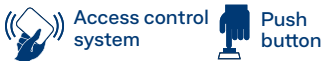
SB 200

THE SB 200 TURNSTILE COMBINES PROTECTION WITH AESTHETICS.

The SB 200 provides both effective protection of the building, similar to full height turnstiles, but at the same time offers a more graceful solution for stylish lobbies of office centres, banks, and other public facilities. High panels prevent items being carried over the turnstile. In addition the SB 200 can be printed with a customer's own logo on the sliding glass blades. An anti-tailgating function and back-up battery connection are provided.

When power goes OFF both directions are free.

Controlled by:

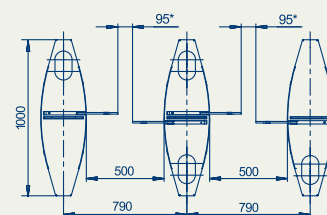
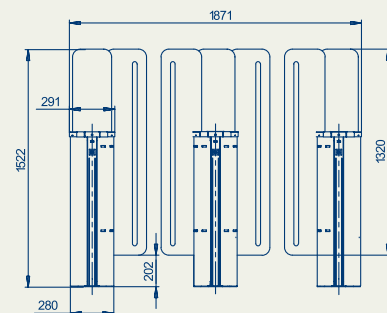


TECHNICAL SPECS:

Width, mm	Single pass (500) – 1082 Two – pass (500 + 500) – 1873
Length, mm	1000
Height, mm	1522
Weight, kg (not more)	Single pass – 288 Two – pass – 469
Mechanism	Motorised
Standard housing	Brushed SS AISI 304
Available housing	Brushed SS AISI 316 Polished SS AISI 304 Polished SS AISI 316 Powder coated RAL

ELECTRICAL SPECS:

- Voltage:
 - from the AC (100-240)V, 50/60Hz;
 - from a DC source 12 V
- Maximum power consumption 155 W per pass





SB 250

THE SB 250 IS PERFECT FOR PROVIDING ACCESSIBLE BUT CONTROLLED PASSAGE.

With a 900 mm passage, the SB 250 is specially designed to ensure access for all. One of its main features is the possibility of placing TV screens for any type information on the top of the housing. Advertising light boxes are also available for installation on the top and front parts of the housing. The combination of the above features with 1.6m high glass blades, short opening/closing time, high traffic capacity, reliability and contemporary design makes the SB 250 a perfect solution for installation in banks, office buildings, business centres, private and public enterprises. The turnstile is controlled manually or by an access control system.

When power goes OFF both directions are free.

Controlled by:

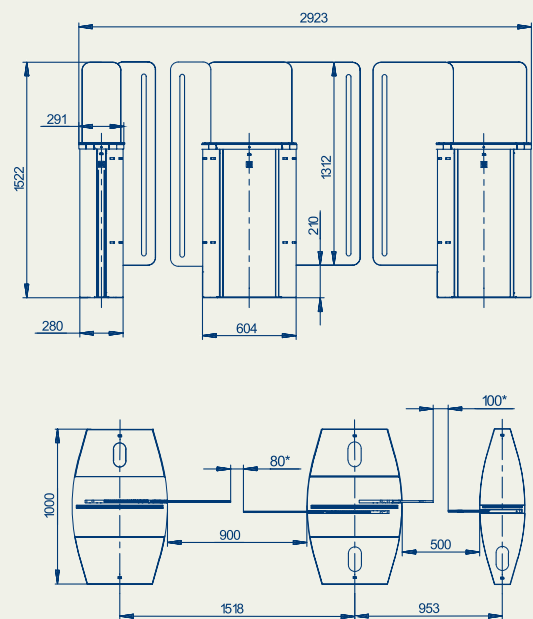


TECHNICAL SPECS:

Width, mm	2128
Length, mm	1000
Height, mm	1708
Weight, kg (not more)	350
Mechanism	Motorised
Standard housing	Brushed SS AISI 304
Available housing	Brushed SS AISI 316 Polished SS AISI 304 Polished SS AISI 316 Powder coated RAL

ELECTRICAL SPECS:

- Voltage:
 - from the AC (100–240)V, 50/60Hz;
 - from a DC source 12 V
- Maximum power consumption 155 W per pass





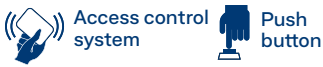
SW 100

THE SW 100 TURNSTILE IS A GOOD CHOICE FOR PROJECTS WHERE SOPHISTICATED DESIGN IS KEY.

Glass top and side panels, as well as this turnstile's appearance in general, provide a feeling of transparency and make it a suitable solution for the most demanding and stylish interiors. The SW 100 turnstile's operation principle, together with the swinging wings, enables wide lanes to be established. This type of a turnstile can be controlled using a push button or interfaced with variety of access control system solutions and provides an anti-tailgating function. In case of power failure, the option of a back-up battery is available.

When power goes OFF both directions are free.

Controlled by:

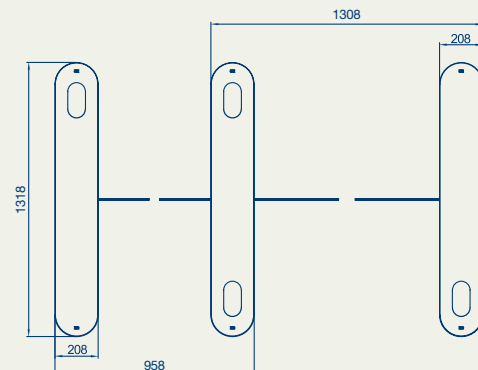
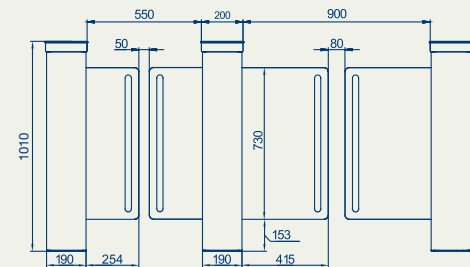


TECHNICAL SPECS:

Width, mm	Single pass (550) – 958 Two – pass (550 + 550) – 1708
Length, mm	1318
Height, mm	1010
Weight, kg (not more)	Single pass – 180 Two – pass – 260
Mechanism	Motorised
Standard housing	Brushed SS AISI 304
Available housing	Brushed SS AISI 316 Polished SS AISI 304 Polished SS AISI 316 Powder coated RAL

ELECTRICAL SPECS:

- Voltage:
 - from the AC (100-240)V, 50/60Hz;
 - from a DC source 12 V
- Maximum power consumption 155 W per pass





SW 100 Slim

THE SW 100 SLIM MODEL IS THE SLIM VERSION OF THE STYLISH SW 100.

It combines all the advantages of the popular SW 100 in a new re-designed housing offering a class leading footprint. Each cabinet is only 110mm wide making the SW 100 Slim suitable for any building. Standard operation uses two modes, normally open, and normally closed along with a host of operational modes when linked to an access control system. An option for shoulder height wings is available on request. Standard black or white glass tops incorporate card reader mountings and LED displays.

When power goes OFF both directions are free.

Controlled by:  Access control system  Push button

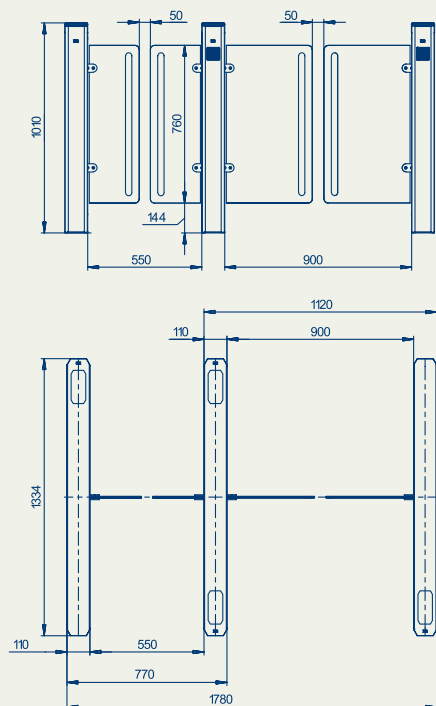


TECHNICAL SPECS:

Width, mm	Single pass (550) – 770 Two – pass (550 + 550) – 1430
Length, mm	1334
Height, mm	1010
Weight, kg (not more)	Single pass – 170 Two – pass – 280
Mechanism	Motorised
Standard housing	Brushed SS AISI 304
Available housing	Brushed SS AISI 316 Polished SS AISI 304 Polished SS AISI 316 Powder coated RAL

ELECTRICAL SPECS:

- Voltage:
 - from the AC (100–240)V, 50/60Hz;
 - from a DC source 12 V
- Maximum power consumption 155 W per pass





SW 100 High Glass

THE SW 100 HIGH GLASS IS A SPECIAL VERSION OF THE SW 100 WITH TALL GLASS WINGS.

The tall glass wings of the SW 100 High Glass increases security by minimising the risk of people climbing over the barrier. Its special design allows up to 900 mm wide passage which can be used for people with special needs. At the same time, both dimensions (height of wings and passage width) can be tailored according to the customer's needs. The wings are made from safety tempered glass, but can be also made of polycarbonate or metal tube (to provide vandal resistant features).

When power goes OFF both directions are free.

Controlled by:  Access control system  Push button

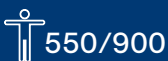
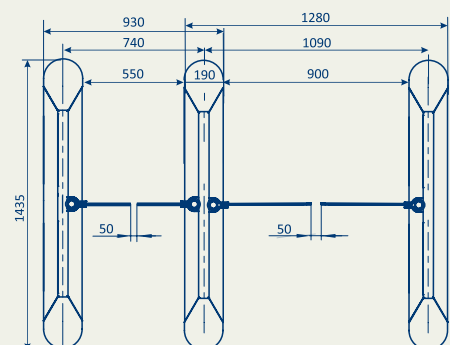
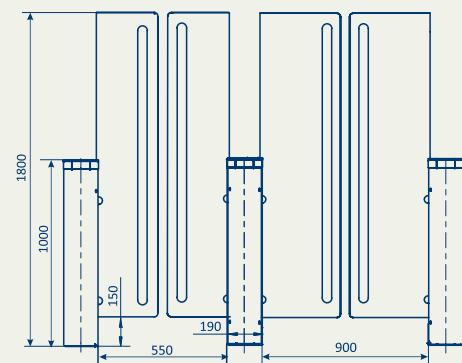


TECHNICAL SPECS:

Width, mm	930
Length, mm	1435
Height, mm	1800
Weight, kg (not more)	450
Mechanism	Motorised
Standard housing	Brushed SS AISI 304
Available housing	Brushed SS AISI 316 Polished SS AISI 304 Polished SS AISI 316 Powder coated RAL

ELECTRICAL SPECS:

- Voltage:
 - from the AC (100-240)V, 50/60Hz;
 - from a DC source 12 V
- Maximum power consumption 155 W per pass





SW 200

THE SW 200 IS A “DOUBLE-IDENTIFICATION STAGE” OR “MIGRATION” SYSTEM.

Based on the SW 100 and SW 100 High Glass models, the SW 200 is a bespoke system enabling you to order the system you need: two waist-height glass blades or two full-height glass blades or one of each. Also there is plenty of space for additional equipment such as access control systems or identification devices, which can be situated at the start and in the middle of the whole system. Also, additional post or holder for identification devices (IRIS reader, finger-print, face-recognition etc) can be ordered. It can be single-passage only or multi-passage. The SW 200 is ideally suited for use at airports.

When power goes OFF both directions are free.

Controlled by:

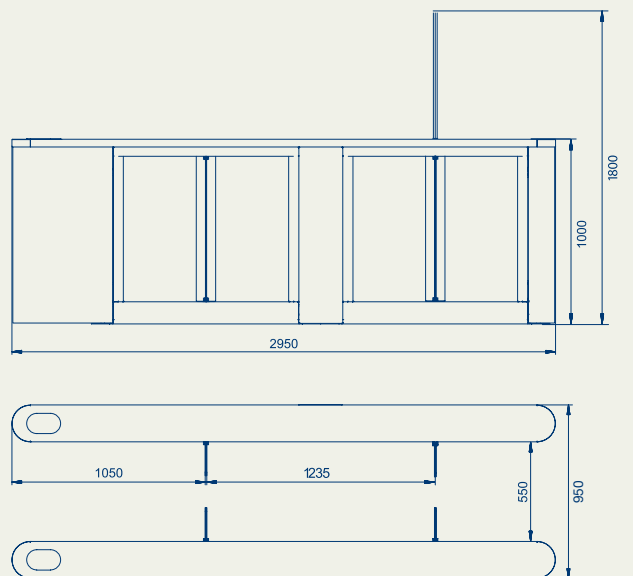


TECHNICAL SPECS:

Width, mm	950
Length, mm	2950
Height, mm	1800
Weight, kg (not more)	277
Mechanism	Motorised
Standard housing	Brushed SS AISI 304
Available housing	Brushed SS AISI 316 Polished SS AISI 304 Polished SS AISI 316 Powder coated RAL

ELECTRICAL SPECS:

- Voltage:
 - from the AC (100-240)V, 50/60Hz;
 - from a DC source 12 V
- Maximum power consumption 310 W per pass





SG 100 & SG 100 Telescopic

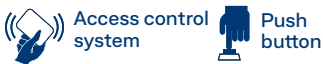
THE SG 100 AND SG 100 TELESCOPIC OFFER FLEXIBILITY AND ARE SUITABLE FOR ALL BUILDINGS AND INTERIORS.

The SG 100 and SG 100 Telescopic swing gates have a motorised drive. Swing gates offer a variety of different dimensions making them a useful solution to provide access control to people with special needs or are disabled. This type of access control equipment can be controlled manually both by push button or interfaced with wide variety of access control systems. Mostly, these solutions are used together with other turnstiles to provide wide lanes of up to 1000 mm. The design and operation of these swing gates enables individuals to pass freely, which is not possible with some other waist height turnstiles.

Modification to allow for wall mounting is an option.

When power goes OFF both directions are free.

Controlled by:



SG 100



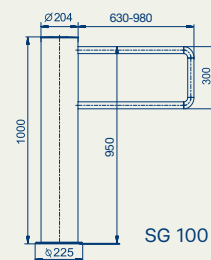
SG 100 Telescopic

TECHNICAL SPECS:

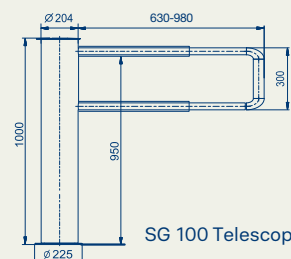
Model	SG 100	SG 100 Telescopic	SG 100 Tall
Width, mm	834/1184	834-1195	834/1184
Diameter, mm	204	204	204
Height, mm	1000	1000	2000
Weight, kg (not more)	43	45	51
Mechanism	Motorised		
Standard housing	Brushed SS AISI 304		
Available housing	Brushed SS AISI 316 Polished SS AISI 304 Polished SS AISI 316 Powder coated RAL		

ELECTRICAL SPECS:

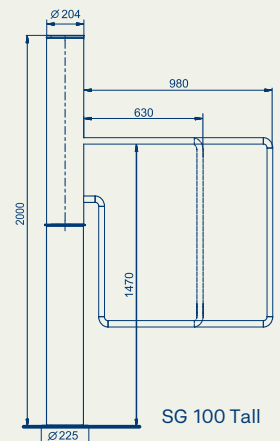
- Voltage:
 - from the AC (100-240)V, 50/60Hz;
 - from a DC source 12 V
- Maximum power consumption 50W



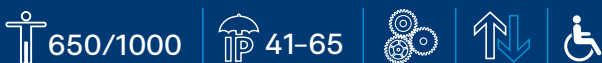
SG 100



SG 100 Telescopic



SG 100 Tall





SG 200, SG 200 Slim & SG 200 High Glass

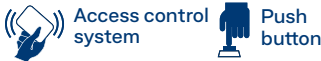
SG 200, SG 200 SLIM AND SG 200 HIGH GLASS OFFER SINGLE OR DUAL DIRECTION CONTROL OF PEDESTRIAN ACCESS.

The primary purpose of the servo-type swing gate is single or dual direction control of pedestrian access for industrial premises, administrative establishments, banks, offices, shops, stations and other sites. Due to its unique shape and variety of models, it can suit any interior. The SG 200 range is easy to use, compact in size and feature a blade of glass in the swing gate. When receiving a command to permit passage the drive bar turns 90°, and after passage returns to its original position.

Modification to allow for wall mounting is an option.

When power goes OFF both directions are free.

Controlled by:



SG 200

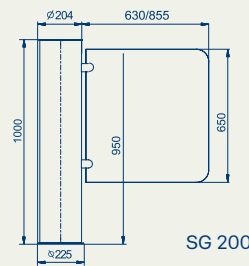
SG 200 Slim

TECHNICAL SPECS:

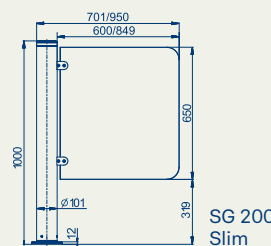
Model	SG 200	SG 200 Slim	SG 200 High Glass
Width, mm	950	834/1059	834/1059
Diameter, mm	101	204	204
Height, mm	1000	1000	1450
Weight, kg (not more)	50	50	95
Mechanism	Motorised Mechanical		
Standard housing	Brushed SS AISI 304		
Available housing	Brushed SS AISI 316 Polished SS AISI 304 Polished SS AISI 316 Powder coated RAL		

ELECTRICAL SPECS:

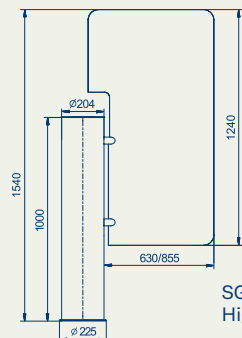
- Voltage:
 - from the AC (100-240)V, 50/60Hz;
 - from a DC source 12 V
- Maximum power consumption 55 W



SG 200



SG 200 Slim



SG 200 High Glass



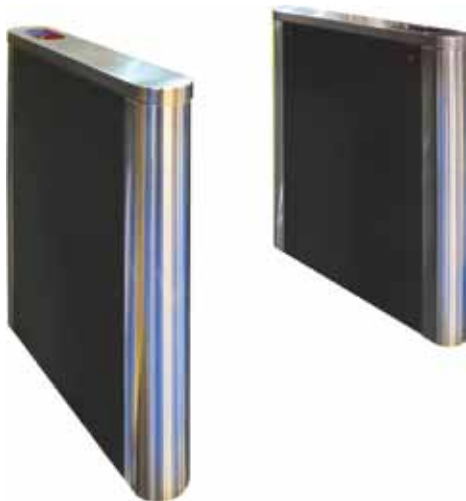


SG 500

THE SG 500 IS AN OPTICAL TURNSTILE DESIGNED TO CREATE A SEAMLESS TRANSITION FROM EXTERNAL TO INTERNAL SPACE.

The housing is equipped with a card reader, LED display and access sensors that allow controlled access. In case of unauthorised access, the mounted alarm function will sound an audible alarm. The turnstile body is made from stainless steel that makes this model reliable and suitable for every environmental condition. Optical turnstiles are perfect for elegant and impressive entrance solutions such as museums, offices, entertainment centres, administrative facilities, shops etc.

Controlled by:  Access control system  Push button

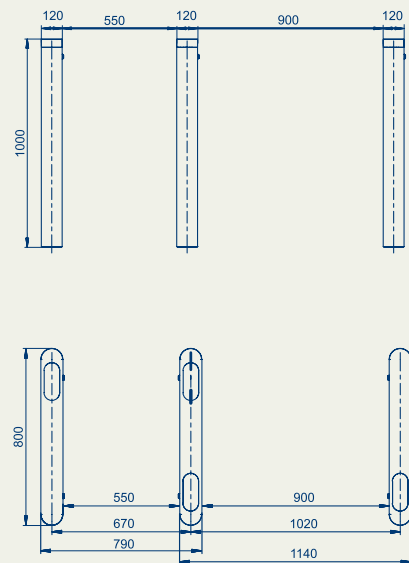


TECHNICAL SPECS:

Width, mm	Single pass (550) – 790 Two – pass (550 + 550) – 1460
Length, mm	800
Height, mm	1000
Weight, kg (not more)	Single pass – 50 Two – pass – 75
Standard housing	Brushed SS AISI 304
Available housing	Brushed SS AISI 316 Polished SS AISI 304 Polished SS AISI 316 Powder coated RAL

ELECTRICAL SPECS:

- Voltage:
 - from the AC (100-240)V, 50/60Hz;
 - from a DC source 12 V
- Maximum power consumption 155 W per pass





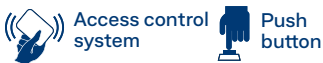
TT 100

THE TT 100 IS A WALL-MOUNTED TURNSTILE WITH DOUBLE LED INDICATION AND ANTI-PANIC FUNCTION.

TT 100 is a wall-mounted modification of the TT 300 turnstile. The TT 100 turnstile has a double LED indication - on the side and on top. A variety of housing finishing types enables this turnstile to be fitted to a range of installation sites, both indoors and outdoors. It includes an anti-panic function (to prevent injury in the case of people panicking by allowing fast and easy egress to the people in the building).

When power goes OFF both directions are free.

Controlled by:

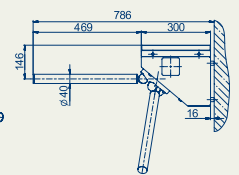
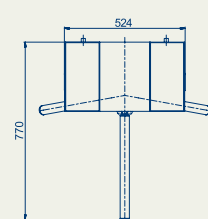
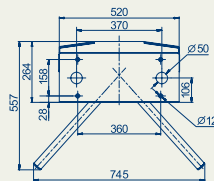


TECHNICAL SPECS:

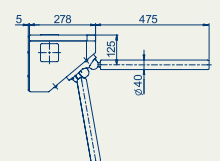
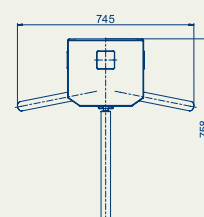
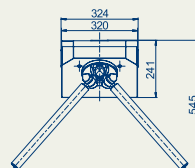
Width, mm	770
Length, mm	745
Weight, kg (not more)	43
Mechanism	Motorised
Standard housing	Brushed SS AISI 304
Available housing	Brushed SS AISI 316 Polished SS AISI 304 Polished SS AISI 316 Powder coated RAL
Tripod hub	Cast aluminium with painted grey finishing
Tripod rods	Polished stainless steel

ELECTRICAL SPECS:

- Voltage:
 - from the AC (100-240)V, 50/60Hz;
 - from a DC source 12 V
- Maximum power consumption 55 W per pass



TT 100



TT 100-BUS



TT 200

THE TT 200 IS ONE OF THE MOST POPULAR OF THE TRIPOD STYLE TURNSTILES.

Taking minimum space and giving maximum efficiency the fast responding motor and quick operation will eliminate crowding at the entrance. The drop arm function efficiently enables free passage in case of emergency. A brushed or polished stainless steel finish will suit any interior (powder coated version available). The enclosure design means it is suitable for outdoor installation without an additional canopy or extensive alterations. As with other turnstiles in the tripod series, The TT 200 is available with a back-up battery connection.

TT 200 Twin modification is available (double sided).

When power goes OFF both directions are free.

Controlled by:  Access control system  Push button

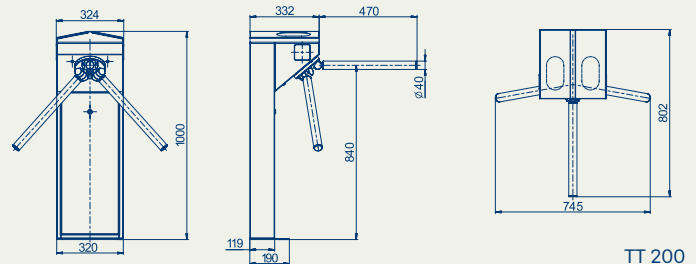


TECHNICAL SPECS:

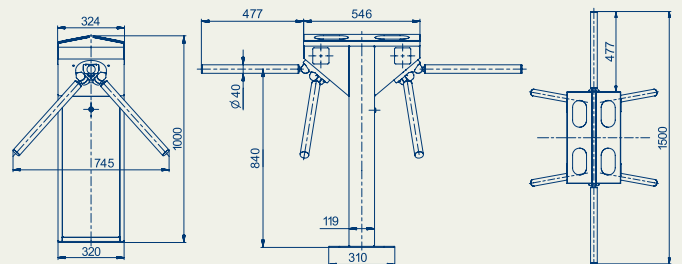
Width, mm	802
Length, mm	745
Height, mm	1000
Weight, kg (not more)	34
Mechanism	Motorised
Standard housing	Brushed SS AISI 304
Available housing	Brushed SS AISI 316 Polished SS AISI 304 Polished SS AISI 316 Powder coated RAL
Tripod hub	Cast aluminium with painted grey finishing
Tripod rods	Polished stainless steel

ELECTRICAL SPECS:

- Voltage:
 - from the AC (100-240)V, 50/60Hz;
 - from a DC source 12 V
- Maximum power consumption 55 W per pass



TT 200



TT 200 Twin



TT 300

THE TT 300 FEATURES THE BEST OF TT 400 AND TT 200 TURNSTILES.

Designed as a hybrid of the TT 400 and TT 200 turnstiles, the TT 300 features reliable and solid housing, and as with other tripods it has reader mounting brackets under the top. The TT 300 turnstile has a double LED indication – on the side and on top. The TT 300 is available with a back-up battery connection. A variety of housing finishing types enables this turnstile to be fitted to a range of buildings, both indoors and outdoors. A drop arm function is available.

TT 300 Twin modification is available (double sided)

When power goes OFF both directions are free.

Controlled by:

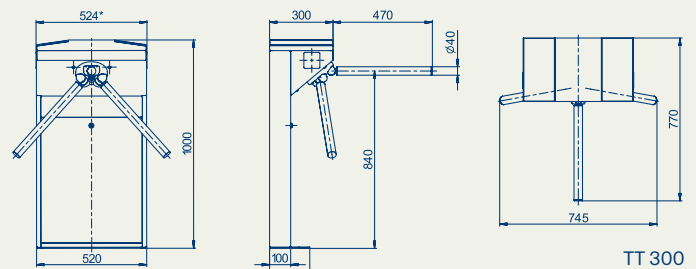


TECHNICAL SPECS:

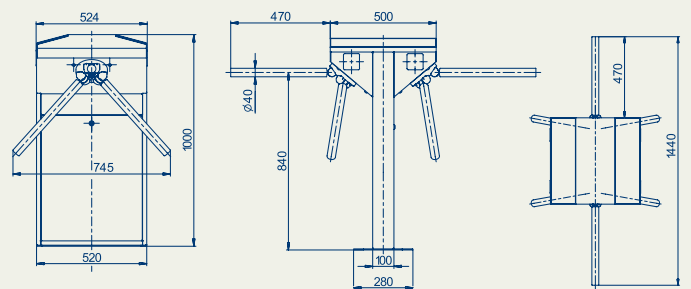
Width, mm	770
Length, mm	745
Height, mm	1000
Weight, kg (not more)	43
Mechanism	Motorised
Standard housing	Brushed SS AISI 304
Available housing	Brushed SS AISI 316 Polished SS AISI 304 Polished SS AISI 316 Powder coated RAL
Tripod hub	Cast aluminium with painted grey finishing
Tripod rods	Polished stainless steel

ELECTRICAL SPECS:

- Voltage:
 - from the AC (100-240)V, 50/60Hz;
 - from a DC source 12 V
- Maximum power consumption 55 W per pass



TT 300



TT 300 Twin



TT 400

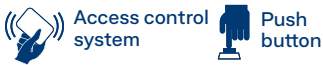
THE TT 400 TURNSTILE IS A ROBUST AND RELIABLE MODEL OF THE TRIPOD TURNSTILE SERIES.

This model will efficiently control the entrance even in intensive pedestrian flow mode, making it suitable for heavily used sites like stadiums, industrial plants or factories. The TT 400 design is sleek and elegant, with a choice of housing finishing options it will fit perfectly in both modest interiors as well elegant office buildings. Robust design and high quality materials will ensure reliable operation for years. To overcome the potential problem of crowding in an emergency the TT 400 turnstile has a drop arm function.

TT 400 Twin modification is available (double sided).

When power goes OFF both directions are free.

Controlled by:

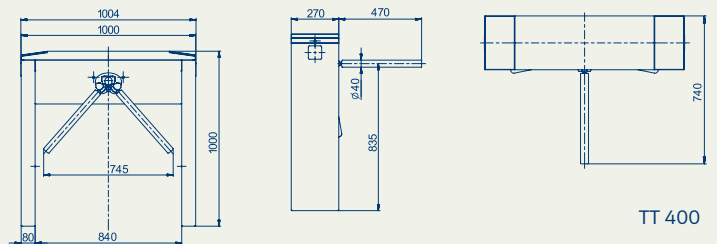


TECHNICAL SPECS:

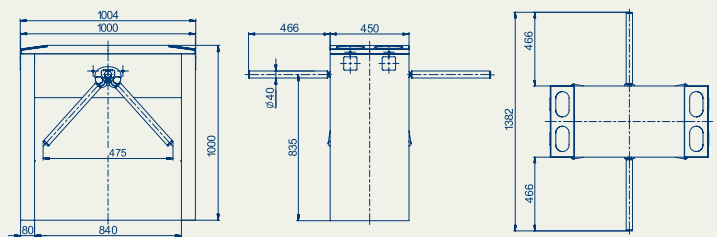
Width, mm	740
Length, mm	1000
Height, mm	1000
Weight, kg (not more)	46
Mechanism	Motorised
Standard housing	Brushed SS AISI 304
Available housing	Brushed SS AISI 316 Polished SS AISI 304 Polished SS AISI 316 Powder coated RAL
Tripod hub	Cast aluminium with painted grey finishing
Tripod rods	Polished stainless steel

ELECTRICAL SPECS:

- Voltage:
 - from the AC (100-240)V, 50/60Hz;
 - from a DC source 12 V
- Maximum power consumption 50 W per pass



TT 400



TT 400 Twin





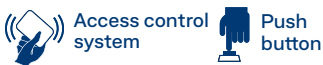
TT 450

THE ELEGANT TT 450 TURNSTILE CAN BE MADE IN DIFFERENT MATERIALS.

This allows you to choose the modification that will perfectly suit the building whether a bold, modern contemporary business centre or a simple interior access of an industrial facility. The TT 450 makes it easy to include the turnstile accessories - controllers, barcode scanners / fingerprint, coin acceptors, card reader, ticket printers and checks. Turnstile also has a place for advertising. The TT 450 is equipped with an anti-panic function to allow free access in an emergency. Mounting brackets for card readers are placed under the top by default.

When power goes OFF both directions are free.

Controlled by:

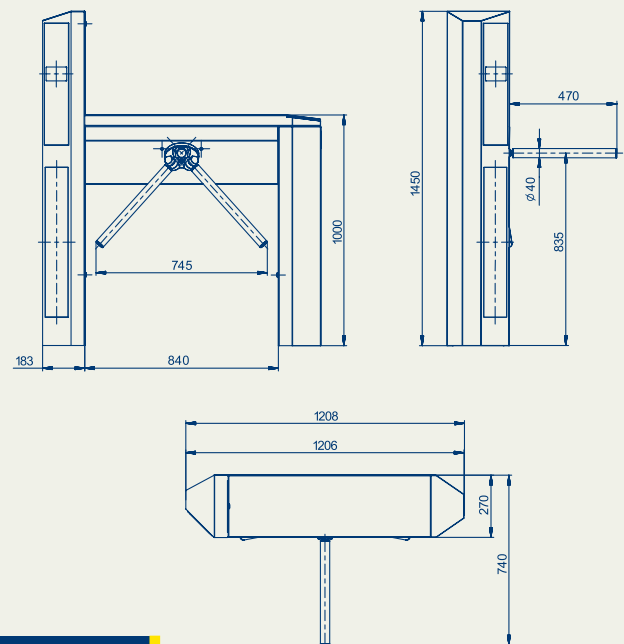


TECHNICAL SPECS:

Width, mm	740
Length, mm	1208
Height, mm	1450
Weight, kg (not more)	57
Mechanism	Motorised
Standard housing	Brushed SS AISI 304
Available housing	Brushed SS AISI 316 Polished SS AISI 304 Polished SS AISI 316 Powder coated RAL
Tripod hub	Cast aluminium with painted grey finishing
Tripod rods	Polished stainless steel

ELECTRICAL SPECS:

- Voltage:
 - from the AC (100-240)V, 50/60Hz;
 - from a DC source 12 V
- Maximum power consumption 55 W per pass





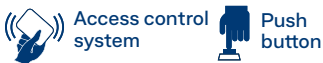
TT 500

THE TT 500 TURNSTILE COMBINES THE FUNCTIONAL TT 400 AND STYLISH SW 100.

The contemporary design of the cabinet is a stylish addition to the range. While the housing is manufactured from stainless steel, a number of finishes are available, polished, brushed etc. The TT 500 turnstile consists of transparent glass framed by high strength steel. The glass is equipped with LED indicators that change colour depending on the entrance mode. On the top of the TT 500 turnstile is a card reader and LED display. One of the advantages of the TT 500 is the ability to change the design according to the client's request. High routing speed provides huge traffic flow capacity.

When power goes OFF both directions are free.

Controlled by:

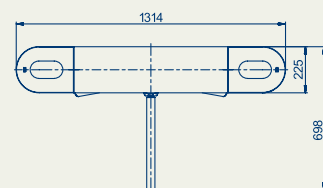
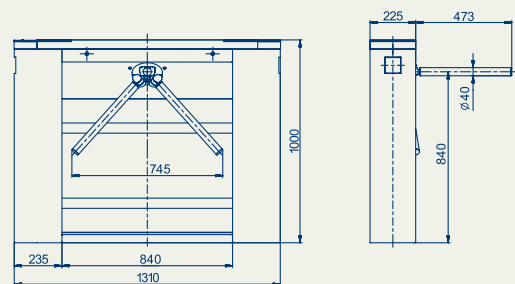


TECHNICAL SPECS:

Width, mm	698
Length, mm	1314
Height, mm	1000
Weight, kg (not more)	75
Mechanism	Motorised
Standard housing	Brushed SS AISI 304
Available housing	Brushed SS AISI 316 Polished SS AISI 304 Polished SS AISI 316 Powder coated RAL
Tripod hub	Cast aluminium with painted grey finishing
Tripod rods	Polished stainless steel

ELECTRICAL SPECS:

- Voltage:
 - from the AC (100-240)V, 50/60Hz;
 - from a DC source 12 V
- Maximum power consumption 55 W per pass





RT 100

THE RT 100 IS PERFECT FOR FACILITIES WITH HIGH PEDESTRIAN FLOW AND CONTROLLED ACCESS IS REQUIRED.

The RT 100 is a waist-high rotor turnstile with stainless steel enclosure, it has an elegant design which makes it an ideal solution for controlled access in various facilities from shopping malls and residential buildings to business centres and government establishments. The RT 100 turnstile has a Y-shaped (120°) rotor but it is also available with X-rotor (90°) modification with 4 blades. This turnstile is available in brushed and polished stainless steel and RAL powder coated. The RT 100 has a stable and solid construction, there are no glass elements like the RT 200 Glass model which makes the RT 100 unbreakable.

Modification with X-type (90°) rotor is available.

When power goes OFF both directions are free.

Controlled by:  Access control system  Push button

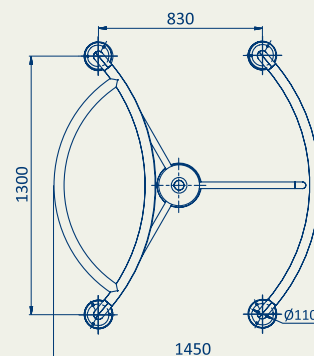
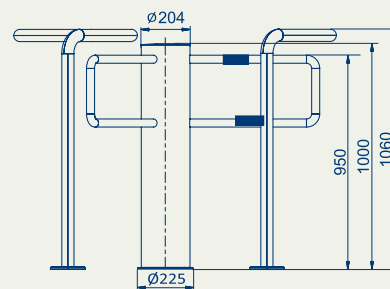


TECHNICAL SPECS:

Width, mm	1450
Length, mm	1300
Height, mm	1060
Weight, kg (not more)	70
Mechanism	Motorised
Standard housing	Brushed SS AISI 304
Available housing	Brushed SS AISI 316 Polished SS AISI 304 Polished SS AISI 316 Powder coated RAL Wooden cover

ELECTRICAL SPECS:

- Voltage:
 - from the AC (100-240)V, 50/60Hz;
 - from a DC source 12 V
- Maximum power consumption 50 W per pass





RT 200 Glass

THE RT 200 GLASS IS A STYLISH TURNSTILE FOR EVEN THE MOST PRESTIGIOUS ENTRANCES.

The RT 200 Glass has a stylish housing enabling it to be used for access control even at VIP entrances of banks, business centres and others facilities where interior design is major consideration. Different modifications of this turnstile are available: a wide range of glass shading options, different finishes to the metal elements, a variety of options relating to timber fitting pieces (wood types, texture, colour etc.). The RT 200 Glass turnstile allows a pedestrian control system to be installed according to your design preferences and interior concepts.

Modification with X-type (90°) rotor is available.

When power goes OFF both directions are free.

Controlled by:



Access control system



Push button

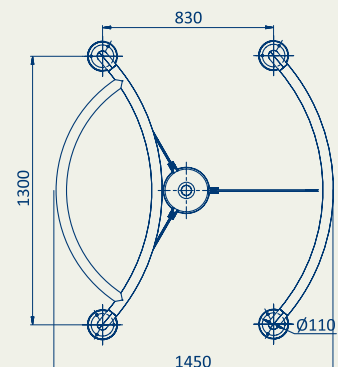
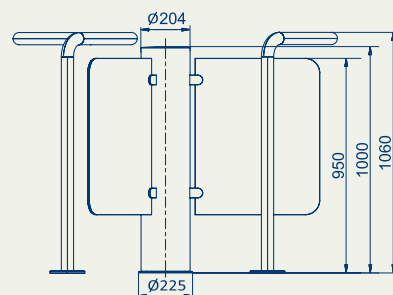


TECHNICAL SPECS:

Width, mm	1450
Length, mm	1300
Height, mm	1060
Weight, kg (not more)	70
Mechanism	Motorised
Standard housing	Brushed SS AISI 304
Available housing	Brushed SS AISI 316 Polished SS AISI 304 Polished SS AISI 316 Powder coated RAL Wooden cover

ELECTRICAL SPECS:

- Voltage:
 - from the AC (100-240)V, 50/60Hz;
 - from a DC source 12 V
- Maximum power consumption 50 W per pass



60



20



580



41-65





ST 100 Full Height

THE ST 100 FULL HEIGHT IS AN IDEAL SOLUTION FOR AN INTERNAL SECURITY DOOR.

The operating principal is similar to a full height turnstile with the main difference being the glass blades and stainless-steel canopy, which provide a more aesthetically pleasing solution for security access within a building. The ST 100 Full Height can be controlled by various access control methods including bio metrics, card readers or via the manual control panel. Other options include full height glass blades making the ST 100 Full Height a great low-cost alternative to portals and security revolving doors.

When power goes OFF both directions are closed. Manual unlocking in case of unavailable power.

Controlled by:

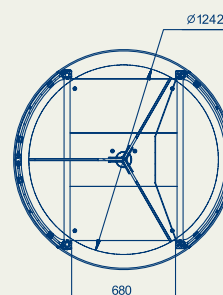
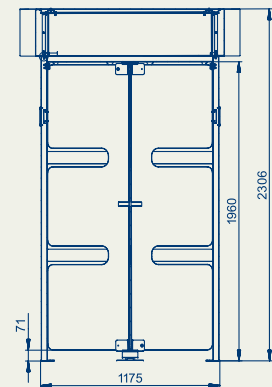
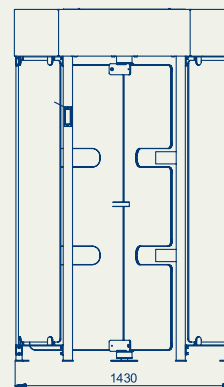


TECHNICAL SPECS:

Width, mm	1430
Length, mm	1175
Height, mm	2306
Weight, kg (not more)	450
Standard mechanism	Servo-drive (Motorised)
Standard housing	Brushed SS AISI 304
Available housing	Brushed SS AISI 316 Polished SS AISI 304 Polished SS AISI 316 Hot dip galvanised Powder coated RAL

ELECTRICAL SPECS:

- Voltage:
 - from the AC (100-240)V, 50/60Hz;
 - from a DC source 12 V
- Maximum power consumption 155 W per pass





Enclosure

The stylish balustrade Enclosure is an integral accessory to any of our turnstiles. Its design is very simple but very efficient and easy to install. Any combination of side and middle posts can be used with different widths of glass.



Emergency gate

The Emergency gate is designed to be installed at the entry points in all kinds of buildings but especially administrative buildings and banks where a free exit in an emergency is needed or for allowing large items to be moved through the area.



Frame-M

The mobile platform Frame-M consists of a landing, enclosure and can have any tripod turnstile attached to it. The main purpose of the platform is to ensure quick and easy placement of installed tripod turnstile to a place of temporary use.



TECHNICAL SPECS*:

Width, mm	1010
Height, mm	942
Standard housing	Brushed SS AISI 304
Available housing	Polished AISI 304 Stainless Steel Powder coated RAL AISI 316 Stainless Steel

* technical specifications may vary depending on the turnstile used.

Card Reader

The card reader post is designed for installation as part of an access control system for banks, administrative buildings etc. Elegance, lightness and simplicity make this model very popular as part of an access control system.



MODIFICATIONS

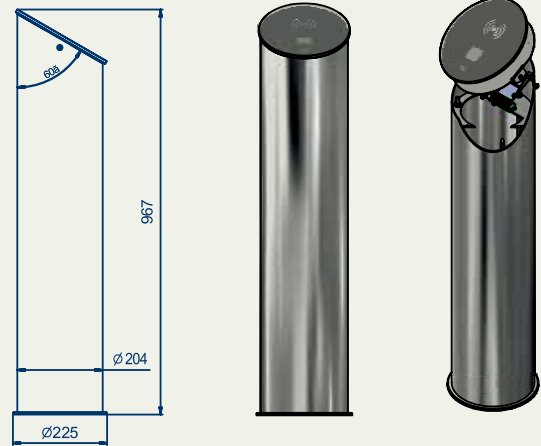
- Unique design manufactured from 51mm diameter steel tube.
- Model with diameter of 154 mm including LED display. It allows visual access control by means of bi-colour LED displays.

MATERIALS

- Model Prestige – polished stainless steel.
- Model Classic – structural steel with polymeric coating.
- Basic colours: Silver antic.

OPTIONAL

- Painting in any RAL colour.
- Stainless steel with structured surface Satin.



Card Collector

Card-collector is an efficient and effective solution to organise the collection of temporary visitor cards.

The sleek and modern design enables the simple and easy to use collection of cards, as well as encashment of these cards.

The LED indication under the beautiful glass top lid shows the status of the system (access denied or granted).

A built-in card-reader for permanent staff is available upon request.

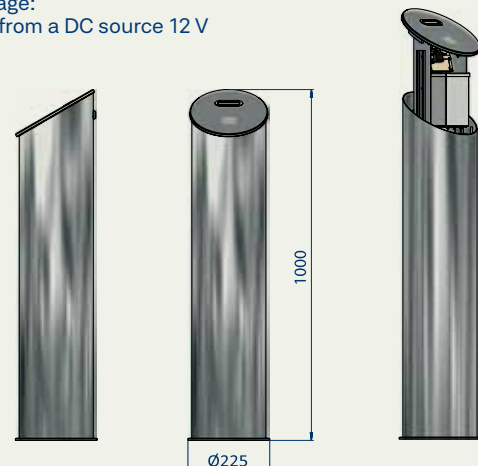


TECHNICAL SPECS:

Card capacity, pcs/pass	100 – 200
Diameter, mm	225
Height, mm	1000
Weight, kg (not more)	22
Standard housing	Brushed SS AISI 304
Available housing	Brushed SS AISI 316 Polished SS AISI 304 Polished SS AISI 316 Hot dip galvanised Powder coated RAL

ELECTRICAL SPECS:

- Voltage:
– from a DC source 12 V



UK Headquarters

GEZE UK Ltd. Blenheim Way, Fradley Park,
Lichfield, Staffordshire WS13 8SY

Tel: +44 (0) 1543 443000 **Fax:** +44 (0) 1543 443001

Email: info.uk@geze.com **Web:** www.geze.co.uk

Connecting expertise –
building solutions.

