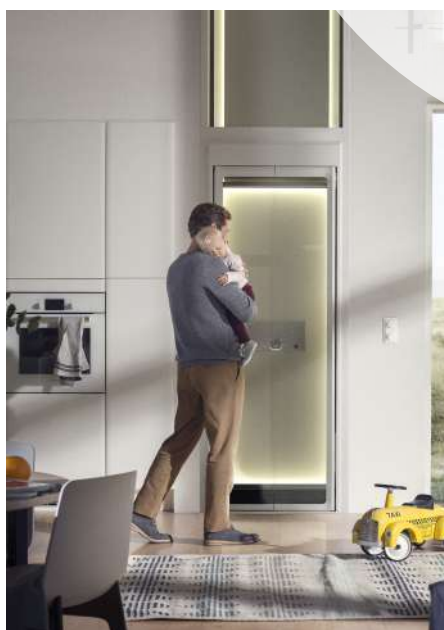
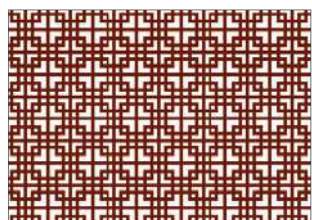
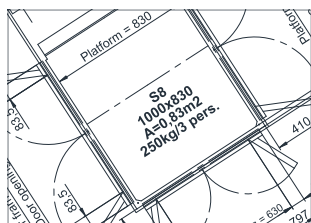


Welcome  
to Modern Living

# HomeLift

by Gartec Home



# GARTEC

*home*

# Welcome Home

## GARTEC HOME PLATFORM LIFTS

Gartec Home are sister company to Gartec, our commercial side. Gartec Home offer a more refined domestic service, with every lift bespoke to your needs.

Founded in 1994, Gartec is one of the longest established platform lift companies in the UK. Through installing more platform lifts than any other company to date, our experience means we have almost certainly worked on a project like yours before.

When it comes to making your property more versatile, Gartec Home Lifts are a stylish and practical addition to any home, with the perfect meeting of design and functionality that allows everyone to access your whole home forever.



## CONTACT GARTEC HOME

Need advice about lifts? Want to book a trip to our show rooms? Want a free home visit, quote or drawing? Just give our friendly team a call.

Gartec Home  
Unit 6, Midshires Business Park  
Smeaton Close  
Aylesbury  
Buckinghamshire  
HP19 8HL

01296 397100  
sales@gartec.com

## OPENING TIMES

Open from 8.30am - 5pm, Monday to Friday  
24hr emergency breakdown line: 01296 397100

## SHOWROOMS

[Aylesbury Showroom](#)  
Midshires Business Park  
Smeaton Close  
Aylesbury  
Buckinghamshire  
HP19 8HL

01296 397100  
sales@gartec.com

## [SkyHouse Design Centre](#)

Raans Road  
Amersham  
Buckinghamshire  
HP6 6JQ

01494 722880  
info@skyhousedesigncentre.com

# Gartec Home

*"Gartecs team were friendly and knowledgeable, kept me informed and even tidied everything up at the end!"*

*Mary Jones, Abingdon*



*"I would like to say that all at Gartec have been very helpful. The lift is my lifeline and enables me to live here"*

*Barbara, Stourbridge*

*"It took just 2 days to install and was far smoother and simpler than I ever imagined"*

*George Davidson, SW London*



# How It Works

Platform lifts are a very simple and safe way to travel between floors. All Gartec Home lifts use patented screw & nut technology to drive the platform using a reliable, quiet and efficient motor. There is no requirement for a separate machine room, hydraulic oil or pump box

Two guide rails run from top to bottom on the back of the lift. The platform is connected to the guide rails ensuring a smooth ride is provided.

## Emergency Battery Lowering

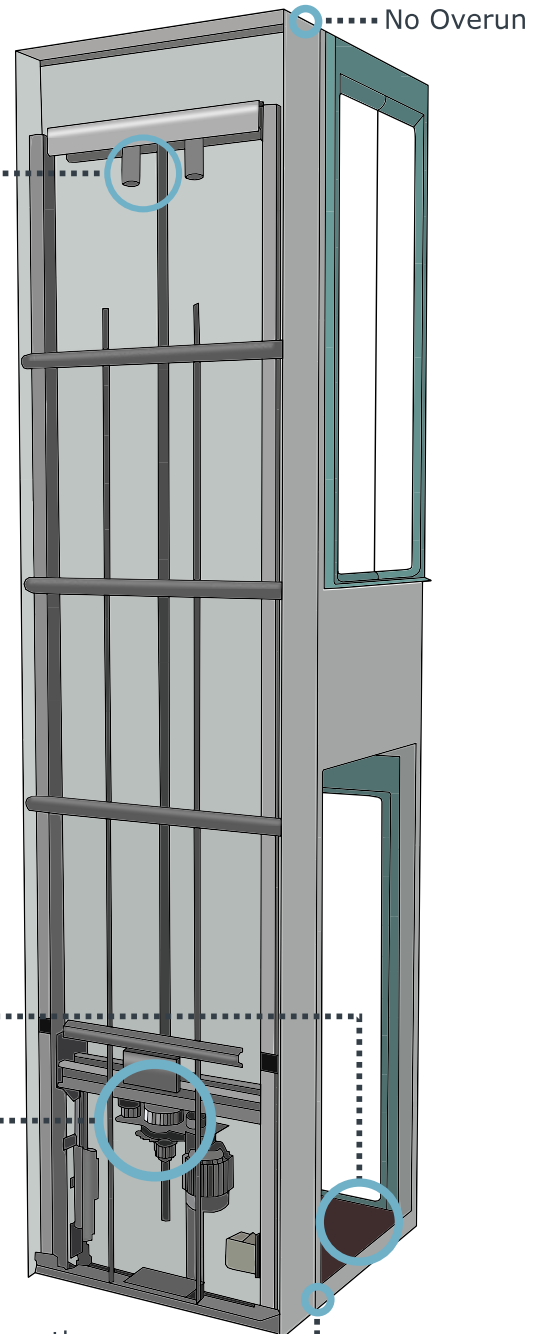
A secondary motor is fitted to the lift and connected to a battery source. In the event of a power failure the lift switches to battery operation and allows the user to return to the floor below and exit the lift without any external assistance.

## Platform & Travel

The platform that you stand on and the DesignWall are the only parts that move as you travel up and down. The walls are static and you see these move past as you travel.

To start moving, you hold down the button on the control panel. When you let go, the lift stops moving, meaning you can change direction mid-travel.

Around the perimeter of the platform is a safety edge which stops the lift from moving when pressed down due to an obstruction.



## Screw & Nut Technology

Our patented screw and nut technology drives the lift up and down. A threaded bar runs up the back of the platform to the top of the shaft, and a nut, which is attached to the platform, is driven up and down by a quiet and reliable motor.

Automatic lubrication of the screw is included as standard. It is connected to a sensor and timer so an indicator advises when levels are running low.

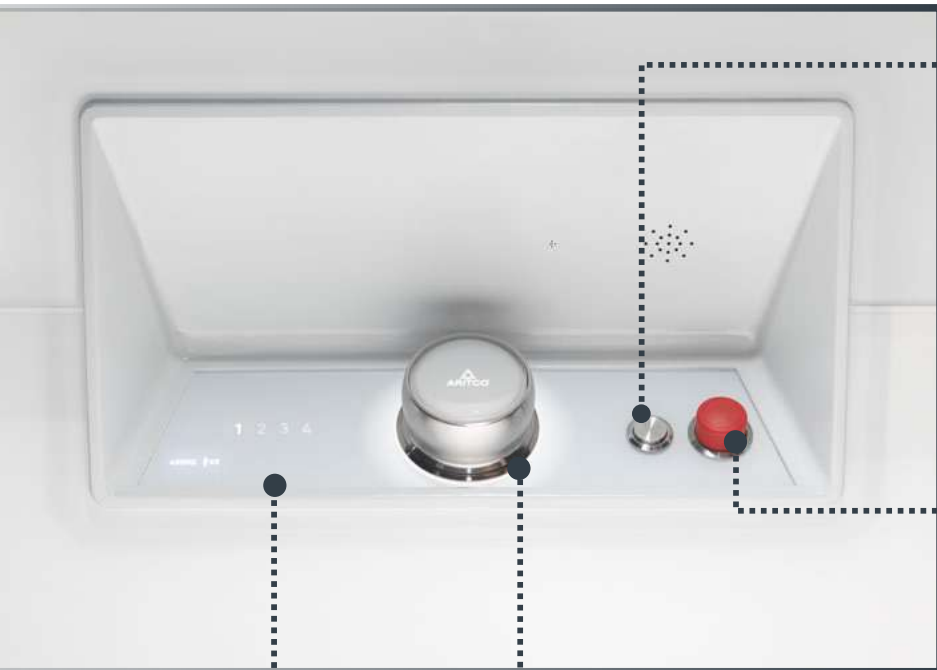




# Control Panel

The controls on the Aritco HomeLift have been carefully selected to enhance the luxury feel and stylish finish, whilst being easy and comfortable to use.

From the landing, a small illuminated button opens the doors with a smooth motion, and inside the circular dial controller lets you select a floor and begin your journey. All beautifully lit, the HomeLift is the perfect meeting of style and substance.



## Alarm Button & Emergency Calls

To comply with regulations an autodialler is fitted providing two way communication. The autodialler is programmed with up to 5 numbers provided by the customer.

In an emergency, pressing the alarm button for 10 seconds activates the autodialler which then automatically calls the programmed numbers.

## Emergency Stop

The emergency stop button is for use in emergencies. Once pressed the lift stops. Reset by twisting the button.

## Landing Indicator

The landing indicator lights up the number of the floor you are on, and lights up your floor selection when turning the signature controller button.

## Signature Controller

The signature controller on the platform system works like an i-Drive system. Turn the dial to select the floor, and press the button to travel.



## SmartLift App

Install the Aritco SmartLift app on your phone or tablet to control the lights in the lift. You can change the colour and brightness to suit your mood, and set standby time.

Being a Smart Lift, we have added a GSM module which feeds data on the lift to the app about servicing and maintenance.

# Colour Your Lift

We know that every home looks different, and understand you want to design your lift so it matches all of your home.

Choose where there should be glass or solid walls, where the doors will be placed and what colours you want.

The glazing can be clear or tinted. The walls, frames and doors can be painted in different colours to match your personal style.

You can easily see how your lift will look by using our online configurator to build your lift - just visit [www.gartechome.com](http://www.gartechome.com)

## WALLS & DOORS

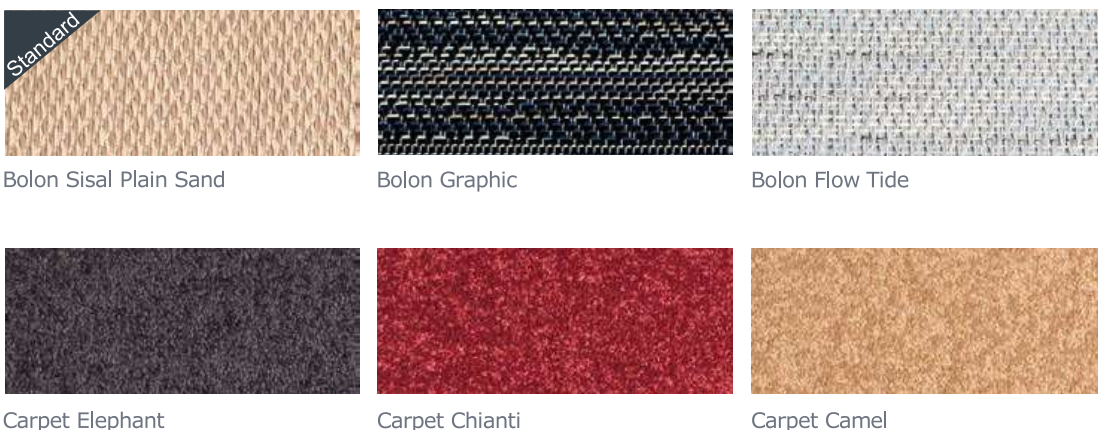
As standard, the lift is painted in Traffic White (RAL 9016). The whole lift can be painted in an optional colour from below, or you can choose to paint the doors in an alternative colour.



## FLOORING & CARPETS

The floor of the lift adds an extra touch to the design. You have a number of quality handpicked floors to choose from that match the colours and the DesignWall options of the lift.

Your own personal choice is also possible if you wish to match the flooring perfectly with your home design.



# Colour Your Lift

*"Now the art wall is fitted, it really adds to the lift as a feature"*

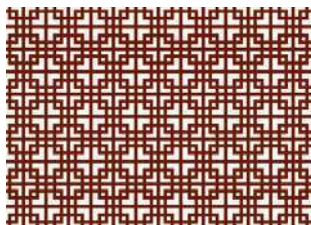
*Kevin, Godalming*

DESIGNWALL™

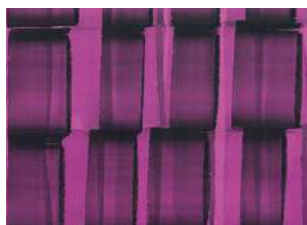
The DesignWall is a key feature of the HomeLift, making each lift unique and perfectly tailored to the style of your home.

In addition to the standard white DesignWall, the following patterns and pictures are available as options.

We can also provide advice and ideas if you would like to use your own print, pattern or photograph for the back wall.



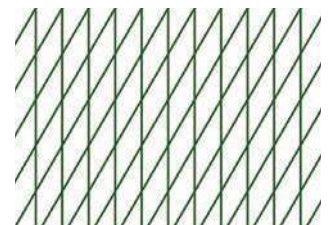
*Orientalic by Alexander Lervik*



*Pink by Lotta Ingman*



*Orange by Lotta Ingman*



*Diagonal by Alexander Lervik*



*Sheets by Rikard Lilja*



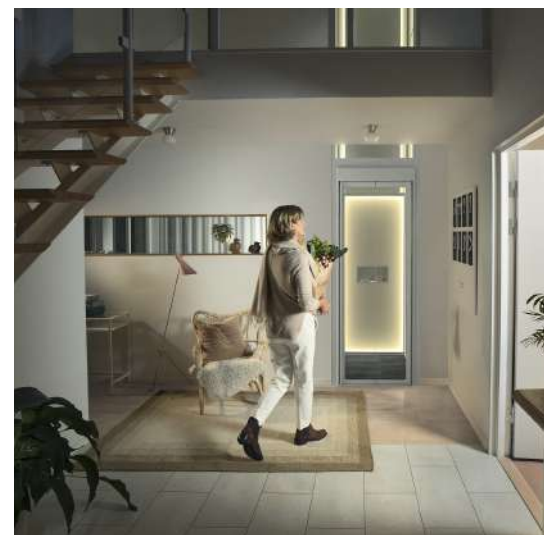
*Structure by Rikard Lilja*



*by Erik Undéhn*



*Skyline by Erik Undéhn*



# Technical Details

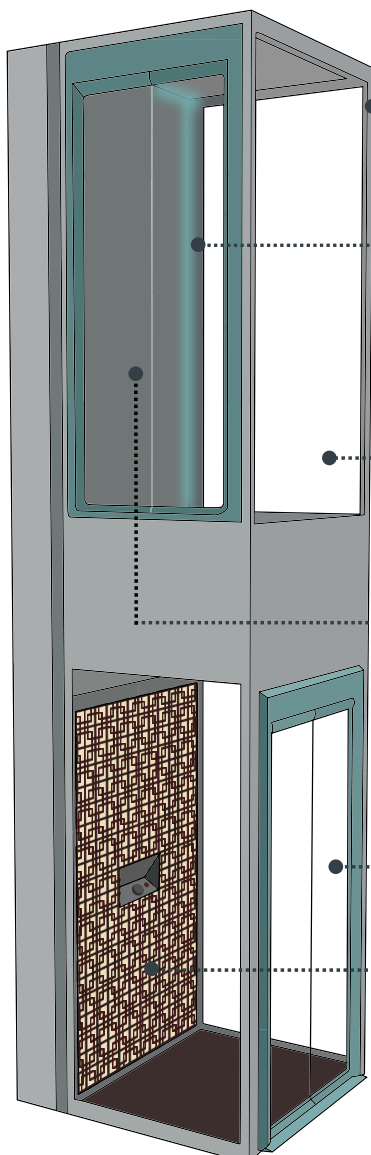
The technical specifications for the Aritco HomeLift are listed below. We take around 2-3 days to install the lift using a modular system which means no building works or scaffolding on site. If you need more information, please just get in touch.

## TECHNICAL INFORMATION

Type of Lift	Aritco HomeLift intended for installation in private homes
Technical Compliance	European Machine Directive 2006/42/EC European Standard EN81-41
Drive System	Screw & Nut System
Installation Environment	Internal
Installation	Recess Installation Pit: 40mm below floor Install Direct on Floor: 40mm ramp
Rated Speed	Max 0.15m/s
Power Source	1ph 230V 20A

## MEASUREMENTS

Travel Height	250 - 15,000mm	
Top Height	Minimum 2225mm	
No. of Floors	2 to 6 floors	
Call Button Controls	One touch operation	
Carrier Control Panel	Hold to Run (continuous pressure)	
Carrier Sizes & Rated Load	<b>S5</b>	600 x 830 mm 250kg / 2 person
	<b>S8</b>	1000 x 830 mm 250kg / 3 person
	<b>S9</b>	1100 x 830 mm 250kg / 3 person
	<b>S12</b>	1000 x 1200 mm 300kg / 4 person
	<b>S15</b>	1100 x 1400 mm 400kg / 5 person



### Lift Colour

The shaft panels and doors come in white (RAL 9016) as standard

### DesignLight™

Change the colour and brightness of the lift lights to suit your mood via the SmartLift app on your mobile or tablet

### Lift Walls

Choose between either glass or solid panels

### Doors

Doors are fitted in the lift walls on each floor. The doors are double doors (two leaves with central opening). The door leaves are made of glass with painted profiles.

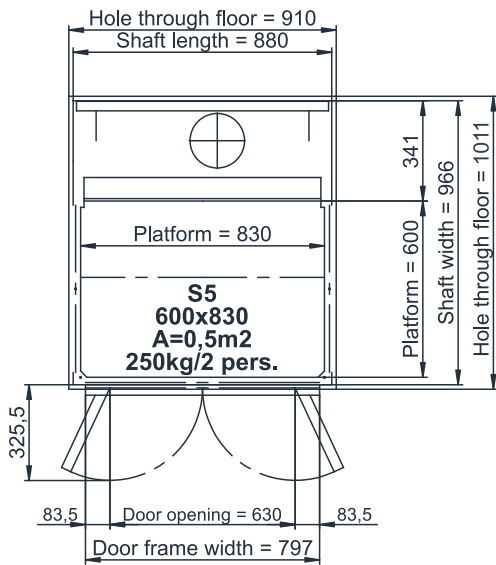
The doors automatically open and close, and are fitted with small sensors to detect obstruction.

### Carrier & Control Panel

The carrier consists of the L-shaped platform and a DesignWall that moves up and down when you travel in the lift. The lift is controlled from the panel in the middle of the DesignWall. By turning and pushing the unique SmartControl on the panel, you choose the floor and start the journey.



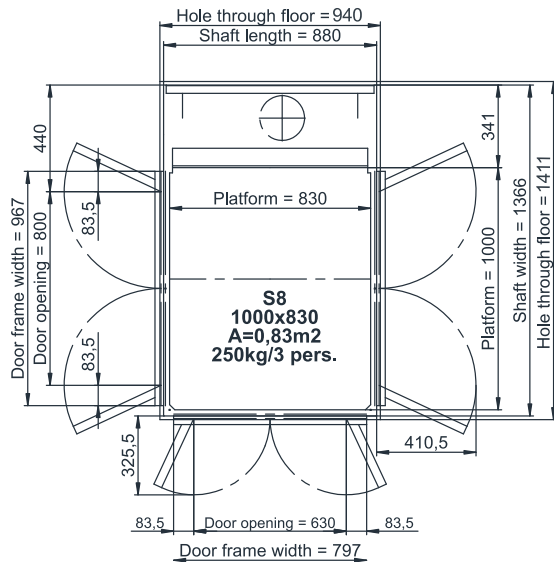
S5



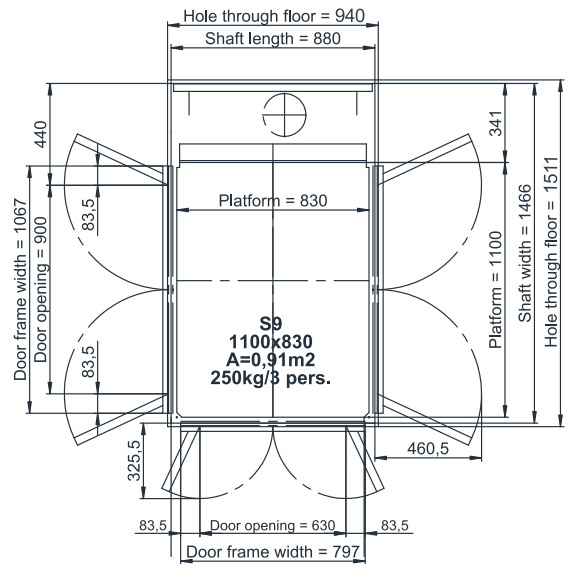
# Plan Views

Our 5 platform sizes are shown below with a range of layouts. If you need a specific drawing, just let us know and we'll send one out free of charge as part of our design service.

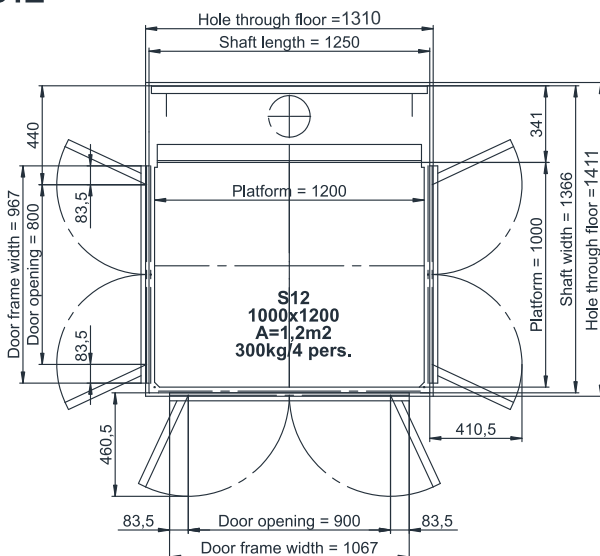
S8



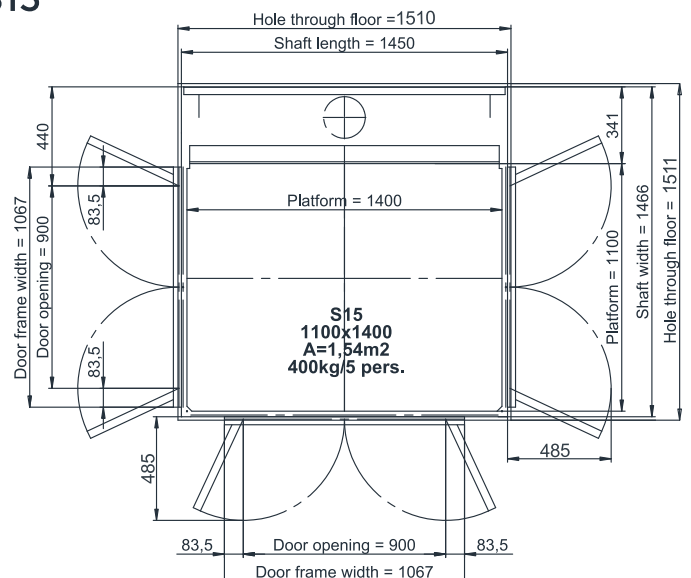
S9



S12



S15

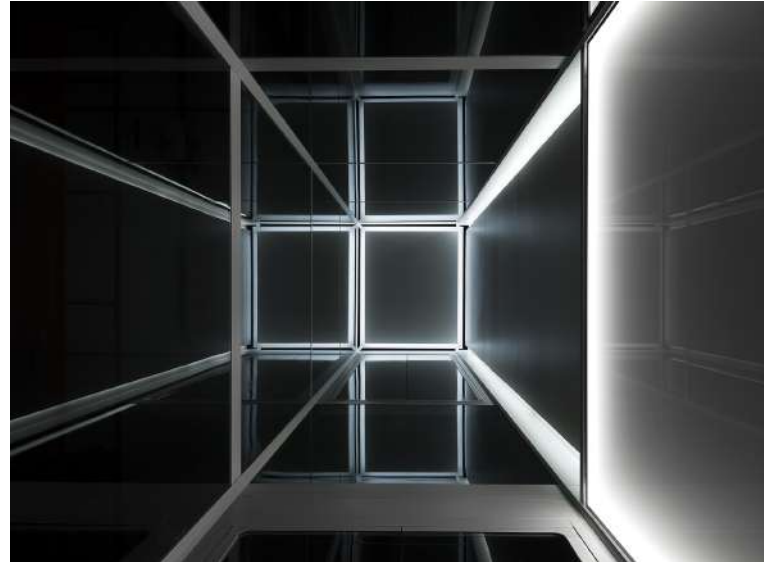


# HomeLift Gallery

Aritco, our Swedish parent company, designs, develops and creates our lifts with care and attention, making sure they are stylish, smart and safe for any home.

## Design

Aritco has collaborated with some of Scandinavia's most outstanding designers and artists to make the Aritco HomeLift a true piece of art that you can be proud to have in your home.



## Technology

The Aritco HomeLift is the world's first connected home lift and comes bundled with an app called SmartLift.

Create and control lighting schedules, and get notifications when maintenance or repairs are needed.

## Safety

Aritco has developed its SmartSafety system to make the whole family feel completely safe. This includes smart doors that know if something is in the way, and if so, automatically opens again.

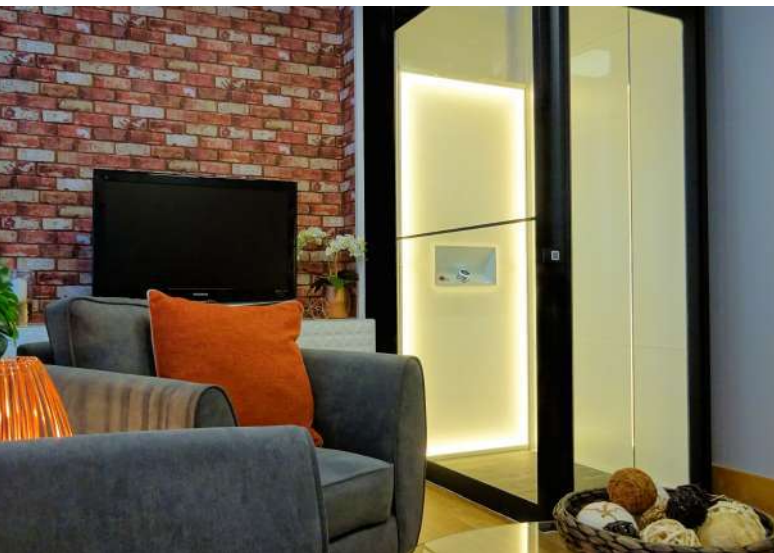
It is also possible to lock the lift, preventing children or anyone else from using it.



# HomeLift Gallery

Gartec Home have installed lifts in a vast range of homes, all with their own individual style.

We take pride in the lifts we install, and love to share inspiration. Take a look at these great ideas to make your lift a stylish addition to your home.



# GARTEC

*home*



+44 (0)1296 397100



sales@gartec.com



www.gartechome.com

---

Gartec are the UK's leading supplier and installer of platform lifts, utilising over 20 years' experience to bring you the very best.

The Gartec Home division has been created specifically to give you the extra care and attention required. Our lifts are tailored to home life to give you the most from your lift, and created with you in mind.

We are wholly owned by our manufacturer, Aritco Group, who are based in Kungsängen, Sweden. All the research and development is completed in Sweden, bringing both form and function to the highest quality, from design to installation in your home.