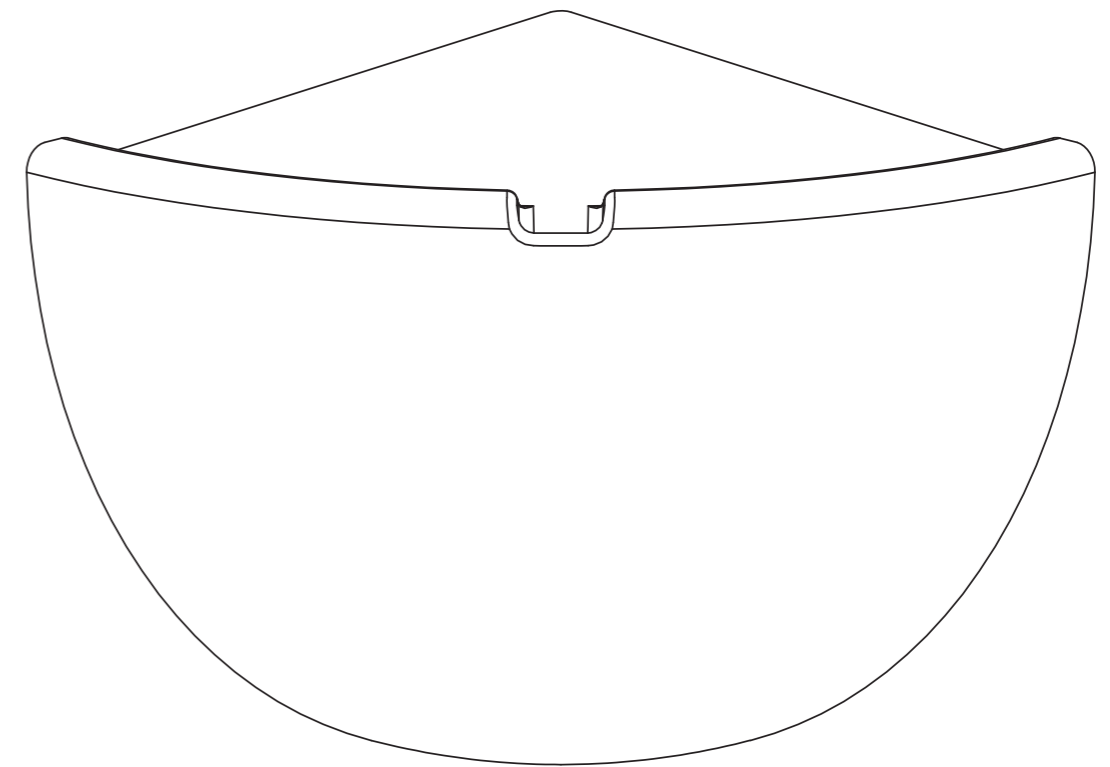


High Security Corner Soap Dish

Model: D800/SD



Tel: +44 (0) 1803 529021
Fax: +44 (0) 1803 559016
www.dartvalley.co.uk

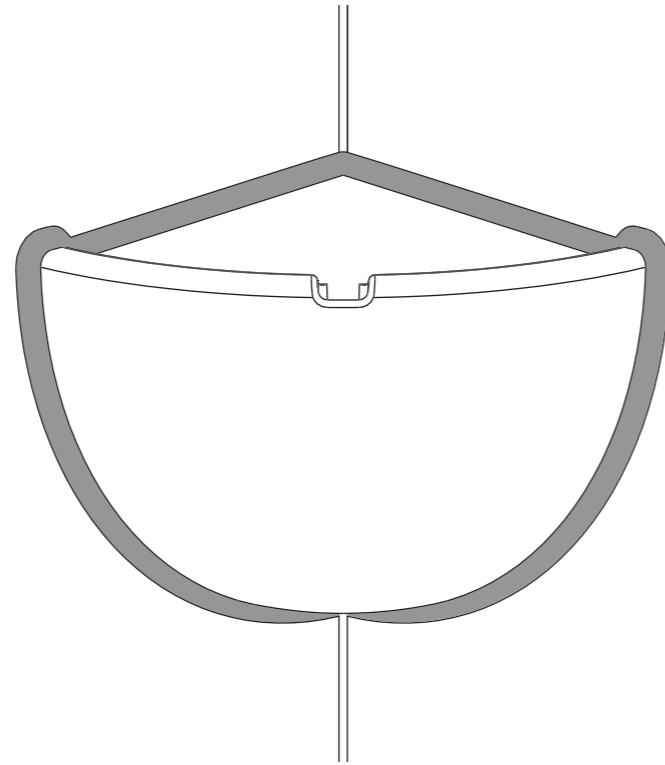
6

Applying the anti-pick

Once the adhesive is dry, complete the installation by finishing with anti-pick sealant around the full perimeter of the dish (as illustrated in diagram opposite).

This ensures no ligature gaps and adds extra support strength.

NOTE: At the time of drafting these instructions we believe all anti-pick sealants are either cream or grey, but a new white version will be available very soon.



Head Office

Dart Valley Systems Ltd
Kemings Close,
Long Road,
Paignton, Devon
TQ4 7TW
UK

Contact Details

T: +44 (0) 1803 529021
F: +44 (0) 1803 559016
E: sales@dartvalley.co.uk
W: www.dartvalley.co.uk



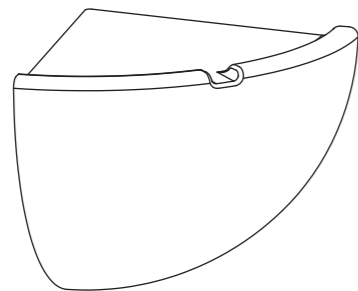
Contact

1

Safety first

These instructions relate to the installation of the 'High Security Corner Soap Dish' only.

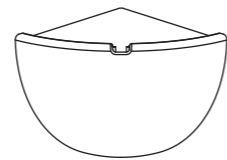
IMPORTANT: Please read these instructions carefully and follow each stage in order!



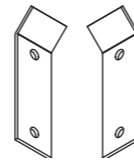
2

Kit contents

Your kit will include the following items:



Soap dish



Wall fixings x 2

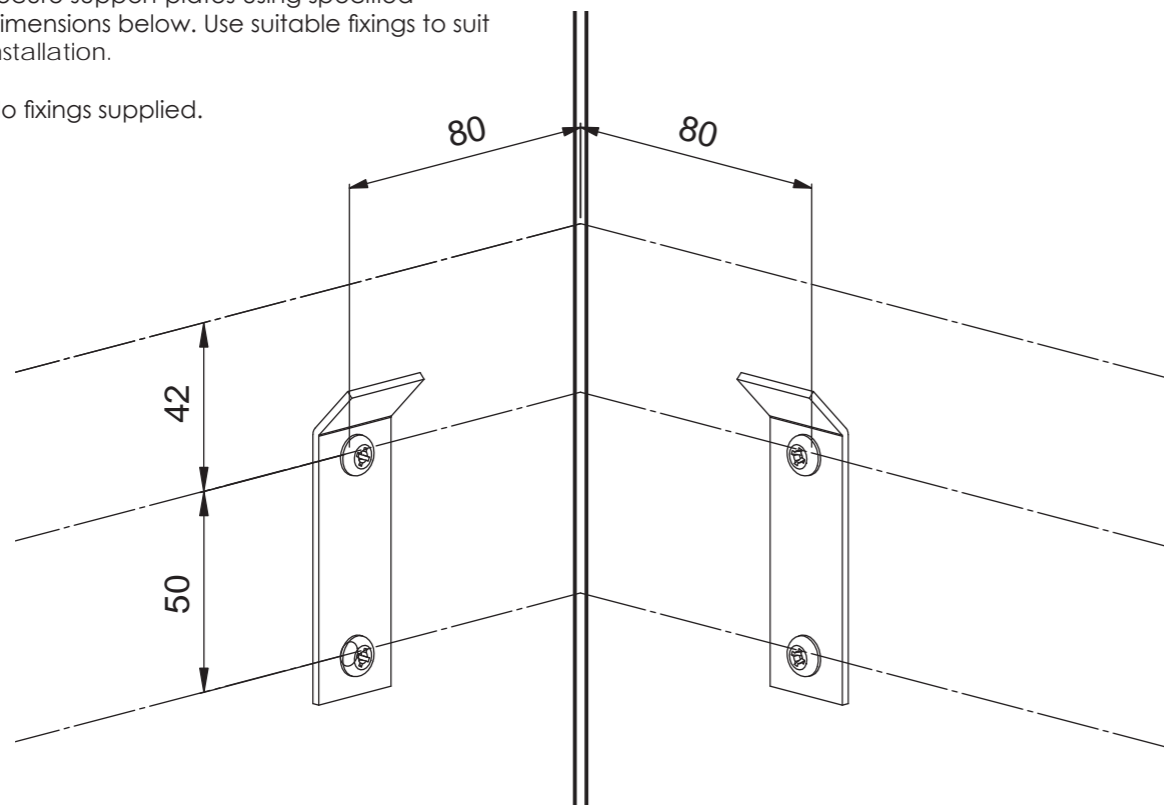
NOTE: Fixing screws are not supplied. These need to be selected to suite the structure that the brackets are being fixed to.

3

Mounting the wall fixings

Secure support plates using specified dimensions below. Use suitable fixings to suit installation.

No fixings supplied.



4

Applying the adhesive

A structural adhesive is required which is the main securing means for this product.

It may be that certain anti-pick adhesives have sufficient bonding characteristics to use as adhesive and sealant.

Plexus adhesive MA300 is used on some applications and suits the following plastics:

- ABS Acrylics (PMMA)
- Polyester (PBT, PET)
- Vinyls (PVC)
- Polyurethanes

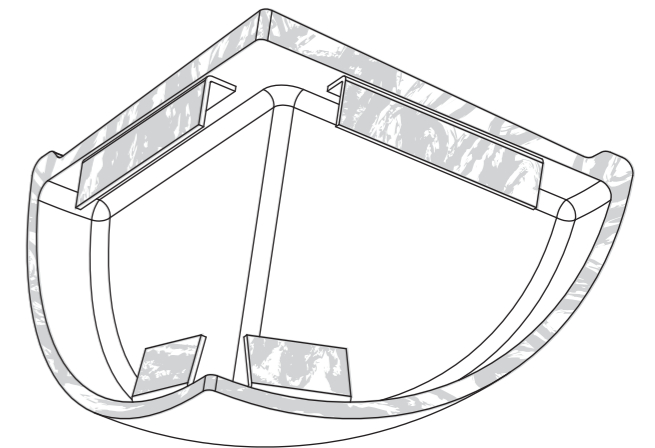
And the following composites:

- Fibreglass
- Gelcoats
- SMC Phenoucs
- Laminates RTM.

Apply adhesive to the complete edge and all the stainless steel brackets (as illustrated in diagram opposite).

Plexus MA300 working time: 4-6 mins

Plexus MA300 fixture time: 15 mins



Adhesive

5

Mounting the soap dish

Push the soap dish into the corner and drop down to hook onto the 2 support plates.

To provide a suitable bond, the gap depth of bonding material should be 1mm to 2mm after compressing.

Immediately clean the excess adhesive off the wall. Make sure the dish is level and leave to dry.

