


Hygiene Lavanda™ LED

A recessed modular luminaire for use in Ecophon Hygiene ceilings. Hygiene Lavanda LED is equipped with a high frequency ballast, is flush mounted in the ceiling to avoid pockets that could accumulate dirt and dust and can withstand low pressure washing.



Centre Hospitalier Universitaire de Lille, Lille, France

SYSTEM RANGE

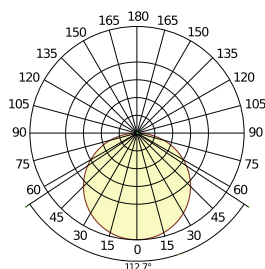
 Size, mm	600x600
T24	•
Thickness	75
Inst. Diag.	M429



Hygiene Lavanda LED



Lighting performance



System effect: 49,8 W
Light source: LED
Luminous flux: 4189 lm
Light efficiency: 84 lm/W
Colour temperature: 4000K
Color rendering index: Ra >80
Colour tolerance: MacAdam 3 SDCM
Light output ratio (LOR): 100%
Light distribution up/down: 0/100
Expected lifespan: L80 >60000 h



Electrical data

230-240V, 50 Hz, power factor $\cos \phi > 0,95$. Electronic HF ballast.



Connection

Delivered without any cables. Can be installed for on/off, SwitchDIM or DALI.



Electrical approvals



Cleanability

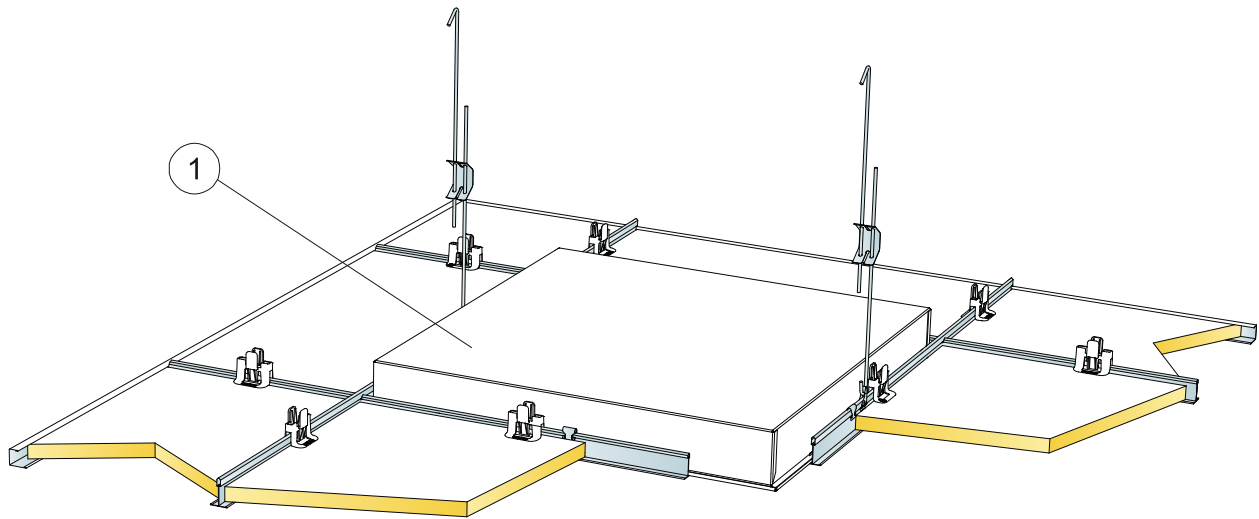
Daily dusting, vacuum cleaning, manual wet cleaning and low-pressure washing. Water temperature max. 70°C. Can withstand the use of common disinfecting chemicals.



Installation

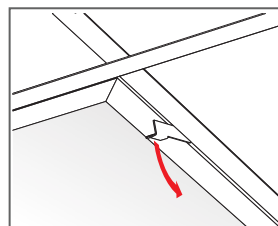
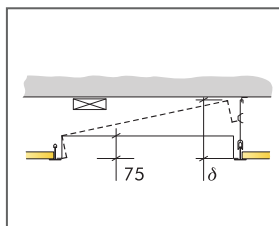
Installed according to installation diagrams, installation guides and drawing aid. For information regarding minimum overall depth of system see quantity specification.

INSTALLATION DIAGRAM (M429) FOR ECOPHON HYGIENE LAVANDA™ LED



QUANTITY SPECIFICATION (EXCL. WASTAGE)

		Size, mm
		600x600
1	Hygiene Lavanda LED	as required
δ Min. demounting depth: 300 mm		-



Opening of the frame, which is secured with a snaplock device

Size, mm	Max live load (N)	Min load bearing capacity (N)
600x600x75	0	160

Live load/load bearing capacity