

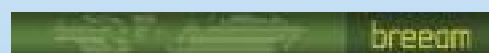
infrared taps

novatap, novaspout and vectaspout

save water, promote hygiene and
reduce maintenance costs



- Hands-free infrared basin spouts
- Automatic shut-off: no drips or taps left running
- Improve water and energy efficiency
- Easy to use: ideal for less-abled or elderly
- Hygienic: reduce risk of cross-contamination
- Available in 5 litres per minute and 3.5 litres per minute models
- Mains and battery powered options included
- Vandal resistant
- Easy to fit in new installations or retrofits



The **novatap** is a contemporary deck-mounted chrome basin spout with an infrared sensor, control unit and valve integral in its body making it extremely simple to install.

The **novaspout** and **vectaspout** are elegant panel-mounted polished stainless steel basin spouts supplied with an infrared sensor control unit and valve.

The Water Regulations require that the flow rate of a spout does not exceed 3.6 litres per minute where basins have no plug. The 3.5 litres per minute model therefore ensures that this spout is compliant in such applications.



how it works

The flow of water from the **spouts** is turned on when the user presents their hands to the infrared sensor which is located on the lower section of the **novatap** body or is positioned below the **novaspout** and **vectaspout**. No contact is required. When the user's hands are moved away the flow of water stops after a 2 second delay.

product description

- Robust design and build quality make the **spouts** ideal for hard use environments where the less-abled or elderly may find it difficult to operate conventional spouts.
- The **spouts** are particularly useful where hygiene issues coupled with water and energy efficiency are paramount.
- Both the water flow run-on time and the sensor range between the spout and the user's hands are fully adjustable.
- The **spouts** automatically switch off after 60 seconds of continuous flow, preventing any water wastage if there is attempted vandalism.
- To prevent the potential build up of stagnant water, which can create legionella bacteria growth, the spout incorporates a hygiene rinse option which operates 12 hours after the last use of the spout.
- Additional spout lengths are available. Please contact Cistermiser directly for further information.

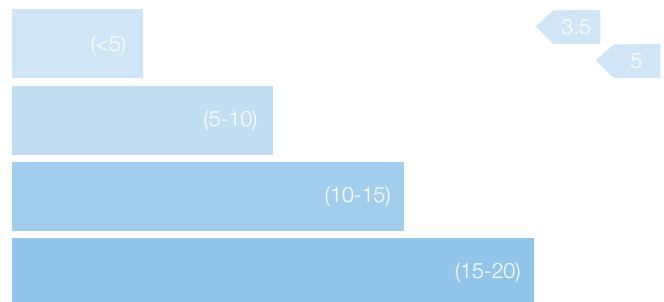


reducing water wastage

On average, basin spouts deliver 8 litres of water per minute (BMA). Installing Cistermiser 3.5 litre per minute **spouts** can save up to 6 litres per use, saving over 80% during a 12 month period.

Water Efficiency Rating

very water efficient

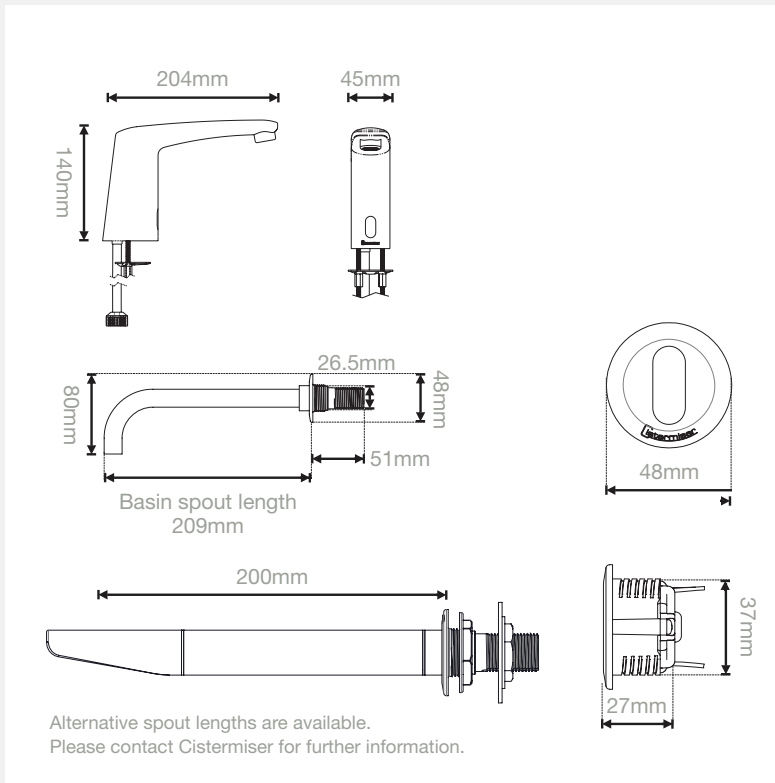


not water efficient

Note: in 1,000s of litres



installing spouts



- The **spouts** can be powered by either mains or batteries with both options included as standard. Where batteries are fitted the **spouts** have a low battery warning indicator. When battery power fails the spout defaults to the off position.
- Also available is a multi product power supply unit (PSUC) which provides power for up to 20 spouts (Only 1 fused spur required).
- Additional customised settings are obtainable via a hand held remote control Infrared Configuration Unit (ICU) which is available as an optional extra. The remote controller enables rapid automatic configuration to the specific washroom dimensions and deactivation of the hygiene rinse function.

technical information

3.5 litres per minute

The Water Regulations require that the flow rate of a spout does not exceed 3.6 litres per minute where basins have no plug. Therefore the 3.5 litres per minute limit means that this spout ensures compliance in such applications. This spout is non-aerated and thus suitable for high risk applications such as medical facilities and care homes where the risk to users of Legionella and other water carried respiratory contracted viruses/bacteria is high.

aerators / nozzles

Novaspout and Vectaspout are provided with both nozzles and a nozzle changeover tool

The 5 litres per minute spouts are supplied with a high tech Neoperl® Caché® Perlator® Honeycomb aerator as standard.

- Unique single piece outlet design inhibits lime scale build up.
- Integral anti-clogging dome screen filters sediment & particles.
- Patented design provides well aerated, soft to touch splash free stream.
- Pressure compensating flow limited to 5 litres per minute.

The 3.5 litres per minute spouts are supplied with a Neoperl® Caché® Perlator® Honeycomb laminar nozzle.

- Spray aerators are particularly suitable for low flow conditions and reducing water consumption in public areas.
- Non-aerated non-splashing laminar stream.
- Pressure compensating flow limited to 3.5 litres per minute.
- External battery pack or transformer mounted below deck.

specification wording

novatap, novaspout or vectaspout – 5 and 3.5 litres per minute

The mechanical contractor shall supply and install hands-free, infrared activated deck-mounted (**novatap**) or panel-mounted (**novaspout** or **vectaspout**) to all wash hand basin outlets. The units shall be for single water supply; either cold or temperature controlled hot water and will incorporate a pressure compensated flow regulator.

The unit will be programmable for sensing range and run on duration. The unit will also have a periodic hygiene rinse function to minimize bacterial infection such as Legionellae and have a cleaners function for routine janitorial servicing.

The touch free basin spout is to be suitable for connection to either 230V 50Hz AC single phase supply or from 4 x 1.5V alkaline batteries of type LR6. For multiple product installations

the device is to have the option of being installed with a common power supply unit PSUC capable of powering several units from one 230V fused spur.

novatap, novaspout or vectaspout – 5 litres per minute

A flow of 5 litres per minute for compliance with BREEAM Wat1.

novatap, novaspout or vectaspout – 3.5 litres per minute (BREEAM Healthcare Wat 1 compliant)

A flow of 3.5 litres per minute for compliance with BREEAM Wat1 for use with open waste basins in healthcare applications.

The unit should be the Novatap, Novaspout or Vectaspout as manufactured by: Cistermiser Limited Unit 1, Woodley Park Estate, 59 – 69 Reading Road, Woodley, Reading, RG5 3AN
Tel: 0118 969 1611