



SINGLE ACTION DOORS

FIRE DOORS

ACOUSTIC DOORS

X-RAY DOORS

DOUBLE ACTION DOORS

SLIDING DOORS

ANTIMICROBIAL DOORS

OTHER PRODUCTS

LAMI DOORS group has been manufacturing high quality specialist Glass Reinforced Polyester (GRP) doors since 1966. During the years we have successfully delivered hundreds of thousands of LAMI door sets worldwide. This places LAMI DOORS group as one of the largest and most experienced manufacturers of GRP doors in Europe. The range of LAMI doors can be seen in Laboratories, Cleanrooms, Hospitals, Food Factories, Pharmaceutical and Electronic Manufacturing Facilities, Leisure Centres, Swimming Halls, Schools and Supermarkets. About 50% of our production is exported and LAMI doors have been supplied to projects in Great Britain, Ireland, Sweden, Norway, Denmark, Russia, Spain, Portugal and other countries.

We have been in the front line of developing and testing our specialist GRP doors for decades. We continually strive to improve our comprehensive products in quality, service and safety for our clients for an even better future sustainability.

LAMI doors are all manufactured to the exacting standards of quality and design in our modern purpose built factory. Our manufacturing methods take into consideration future production needs and environmental issues. LAMI products are made from the highest quality raw materials and our in-house product development constantly follows the latest information on raw materials and production methods to adopt the latest technology.

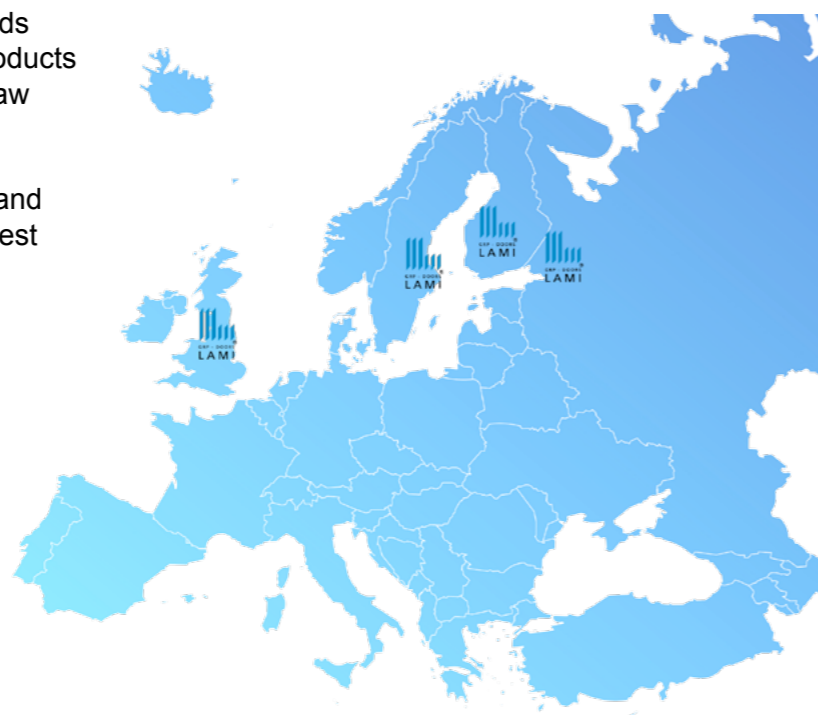
LAMI DOORS group values are Customer Satisfaction, Flexibility, Fast Response, Positivity, Openness and Profitability.

Our in-house testing and commitment to product development ensures the doors remain at the leading edge of their class. Correct Specification, High Standard of Product and On-Time Deliveries are some of the key features to a successful project that we can achieve.

We hope this comprehensive product catalogue will help you in specifying the right LAMI product for each application.



Jaana Aho
Managing Director



0.01	Benefits of LAMI doors.....	4
0.02	Comprehensive care.....	5
0.03	Product range.....	6
0.04	Structure of a LAMI doors.....	7
0.05	Colour Chart.....	8
0.11	Product certification, CE marking.....	10
0.12	Company values, Environmental Policy ja Good Manufacturing Practice (GMP).....	12

SINGLE ACTION DOORS

1.01	KAS Single Action Doors, Adjustable Aluminium Frame.....	14
1.02	KMS Single Action Doors, GRP Frame.....	18
1.04	KRS Single Action Doors, Stainless Steel Frame.....	22
1.05	JK Single Action Doors, Aluminium Frame with Thermal Stop.....	26
1.11	F30/F60/F120/F240/KMS Single Action Fire Rated Doors, GRP Fire Frame.....	30
1.12	F30/F60/KRS Single Action Fire Rated Doors, Stainless Steel Fire Frame.....	34
1.21	dB25/KAS Single Action Acoustic Doors, Adjustable Aluminium Frame.....	38
1.22	dB30/KMS Single Action Acoustic Doors, GRP Frame.....	42
1.31	RTG/KMS Single Action X-Ray Doors, GRP Frame.....	46
1.41	KSR Stainless Steel covered doors, Stainless Steel Frame.....	50

DOUBLE ACTION DOORS

2.01	KKH Double Action Doors, Adjustable Aluminium Frame.....	54
2.02	KH Double Action Doors, Aluminium Frame for Insulated Panel Walls.....	58
2.11	KMH Double Action Doors, GRP Frame.....	62
2.12	KRH Double Action Doors, Adjustable Aluminium Frame.....	66
2.21	SV Double Action Goods Traffic Doors, Adjustable Aluminium Frame.....	70
2.31	PK Double Action Polycarbonate Doors, Adjustable Aluminium Frame.....	74

SLIDING DOORS

3.01	Manual KL Sliding Doors, Adjustable Aluminium Frame.....	78
3.02	Automatic KLA Sliding Doors.....	82
3.11	Manual RTG/KL X-Ray Sliding Doors.....	84
3.12	Automatic RTG/KLA X-Ray Sliding Doors.....	86

OTHER PRODUCTS

4.01	LAMI Strip Curtains.....	88
4.02	Antimicrobial LAMI Doors.....	90
4.03	LAMI Electric Cable Consoles.....	92

ACCESSORIES & GUIDES

5.01	Door Closers and Automatic Opening Devices.....	94
5.02	Non-standard LAMI doors.....	96
5.03	Handing.....	97
5.04	Accessibility.....	98
5.11	Hinges.....	100
5.12	Thresholds.....	101
5.13	Vision Panels.....	102
5.14	Protection Plates and Design Plates.....	104
5.15	Other Accessories.....	107
5.21	Installation, Maintenance and Recycling.....	108



WATERPROOF

The pressure moulded encapsulated sandwich-structure of LAMI doors is built to be completely waterproof. LAMI doors will not rot, rust, swell or warp. LAMI doors will stay unaffected by continuous water and moisture even after decades of use. LAMI doors are free of timber or other organic materials that promote bacterial growth. [Extended 25-Year Guarantee against water and moisture in normal usage.](#)

CHEMICAL RESISTANCE – HYGIENIC

The non-porous smooth surfaces of LAMI doors make them extremely easy to clean. LAMI doors have excellent resistance to most detergents, solvents and other strong chemicals.

CORROSION FREE

LAMI doors will not rust. The excellent surface material of glass reinforced polyester will tolerate tough operational conditions.

LONG LIFE EXPECTANCY

LAMI doors are extremely strong and durable. They can withstand impact and heavy usage without denting. The results from the Hard Body Impact test have shown that LAMI doors belong to the best impact resistance test class.

LIGHT WEIGHT AND SAFE TO USE

LAMI doors weighs ca. 9 kg/m² - this is less than half compared to a conventional door. The light weight nature makes LAMI doors safe and easy to use – even with larger sizes.

FIRE SAFETY

Fire rated LAMI doors are tested according to the newest European fire door standard BS EN 1634-1:2008 or according to the British Standard BS 476: Part 22. LAMI fire doors also have approvals and certificates in various other countries.

EASY INSTALLATION WITH CHOICE OF FRAME SYSTEMS

A wide range of frame systems are available to suit various wall constructions and jamb conditions. All frames compliment the features and benefits of the door in terms of hygiene, durability and aesthetics. Choices include our unique aluminium wrap around frame (which eliminates the need for sealant and architrave's), pressure moulded GRP frames and a range of stainless steel frames to suit the wall thickness.

CO-ORDINATED LOOK

LAMI doors are available in a wide range of colours and accessories. All doors have the same visual characteristics providing a co-ordinated look for building design.

SUSTAINABILITY AND USER SAFETY

LAMI doors have been classified in the best surface material emission class M1. LAMI doors are the First CE marked hygienic doors in Europe. [Read more about certification on page 0.11.](#)

COMPREHENSIVE CARE

LAMI DOORS group offers its clients comprehensive care, from product advice and specification writing, right through to on-site installation and after-sales support. We are continually developing installation, maintenance, guarantees and recycling.

INSTALLATION

Every delivery of LAMI GRP doors includes comprehensive fitting instructions to assist installers in their correct installation. However, we recommend that installation of our doors should be carried out by our own fully trained installers who have long-term experience and are familiar with varying on site conditions. Further assistance can always be gained by calling your LAMI representative.

MAINTENANCE

Even in severe conditions, LAMI GRP doors will provide decades of trouble-free operation under normal use. LAMI GRP door leaves are practically maintenance free, however regular care and attention will ensure that the life of the door is extended to its optimum by predominately concentrating on fittings, locking arrangement and accessories. The correct tightness of fixing screws and the general condition of accessories should be inspected annually. In heavy use it is recommended to make more regular inspections.

Download Maintenance, Installation and Cleaning Instructions on our website:

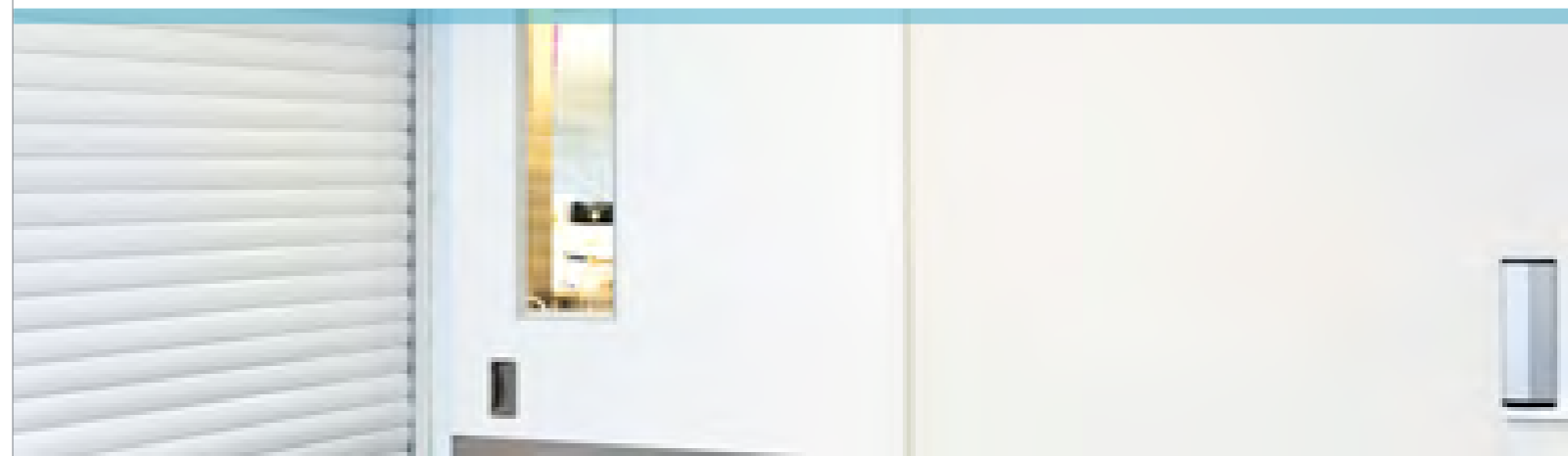
<http://www.lamidoors.com/en/products/maintenance>

25 YEAR GUARANTEE AGAINST WATER

LAMI DOORS group guarantees the quality of their products and this guarantee is extended for a period of 2 years from the date of delivery for all their products under normal usage. In respect of water and moisture resistance, starting from 1st January 2012 we extended the guarantee for a period of 25 years from the date of delivery for LAMI GRP door leaves and frames excluding any accessories under normal usage. Details available on request.



OUR DOOR SPECIALISTS WILL HELP YOU TO FIND THE RIGHT KIND OF LAMI DOOR IN ALL APPLICATIONS



Each LAMI doorset is manufactured to order. Door sizes, colours, ironmongery and other accessories are determined by client specification and manufacturer's recommendations.

LAMI product range includes Single Action Doors, Double Action Doors and Sliding Doors with performance options of Fire resistance, Acoustic insulation and Radiation protection. Our range compliments the features and benefits of the standard LAMI doors in terms of hygiene, durability and aesthetics.

The product codes of LAMI doors are defined by frame material, special properties required and by the door type. For example the product code 'F60/KMS Fire Doors, GRP Fire Frame' indicates that the door is 60 minutes fire rated, 'KMS' indicates the door to be a traditional single action door and 'GRP fire frame' indicates that the frame is made of glass reinforced polyester including fire rated core material.

MATERIAL OPTIONS FOR FRAMES



LAMI STEEL FRAMES

- Powder Coated Steel in RAL Colours
- S/S Stainless Steel (AISI 304)
- S/S Acid Proof Steel (AISI 316)

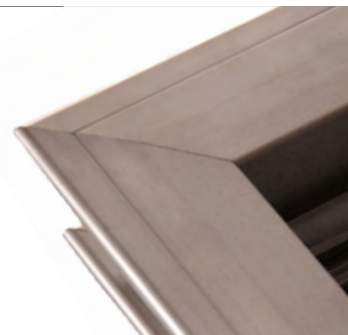
The high quality materials and finishing of LAMI steel frames – welded and polished corner joints – make the frames ideal and extremely hygienic for demanding environments.



LAMI GRP FRAMES

- Standard Colour RAL 9016
- Over 1600 colour options from RAL-, NCS-, BS- ja Monicolor Colour Charts

Durable and extremely hygienic for demanding environments. The high quality materials and finishing.



LAMI ALUMINIUM FRAMES

- Natural Anodised Aluminium

Adjustable aluminium frame for wall thickness from 68 to 256 mm, integral adjustable packers at fixing points to ease the installation. Integral white clip-on trim fully concealing the frame fixings.



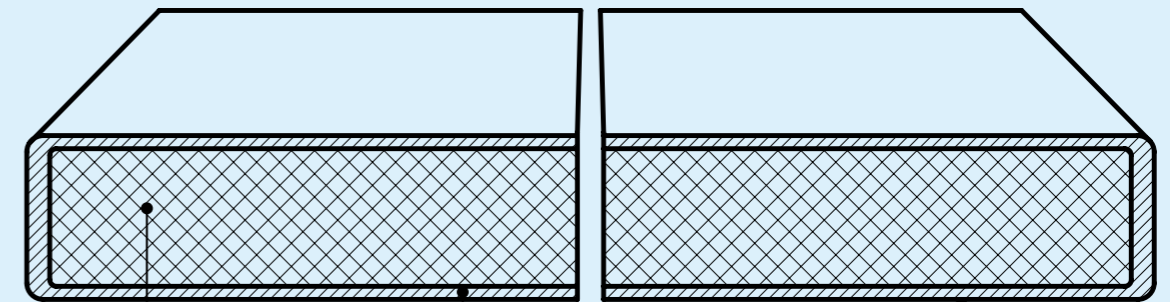
LAMI ALUMINIUM FRAMES

- Standard Colour: Powder Coated RAL 9016
- Over 1600 colour options from RAL-, NCS-, BS- ja Monicolor Colour Charts

Adjustable aluminium frame for wall thickness from 68 to 256 mm, integral adjustable packers at fixing points to ease the installation. Integral white clip-on trim fully concealing the frame fixings.



THE CROSS SECTION OF PRESSURE MOULDED LAMI GLASS REINFORCED POLYESTER DOOR



HCFC-free closed cell polyurethane or fire resisting core material.

The 2.5 mm reinforced plastic laminate forms a completely seamless cover, even at the edges.

Non-porous, hard and smooth 0.5 mm moulded gelcoat surface.

LAMI doors are manufactured using a pressure moulding process. This process produces a door leaf that is completely seamless and has no joints or lippings.

The smooth and easy to clean surfaces of LAMI doors will not harbour dirt or bacteria which are transmitted by touch or by airborne particles. The non-porous smooth gelcoat surfaces of LAMI doors can also withstand the strongest disinfectants and cleaning agents.



In addition to this colour chart there are 1600 No. colours available according to RAL, BS and NCS colour charts. Standard colours for LAMI GRP doors are according to RAL colour chart below:

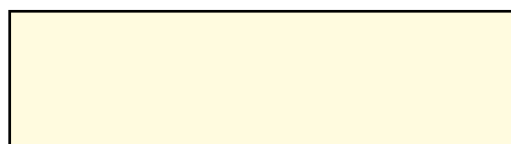
The colour tones seen below may differ from actual RAL colours due to printing / screen quality. LAMI products will have accurate RAL colour finish.



RAL 1002 YELLOW



RAL 6019 LIGHT GREEN



RAL 1013 OFF WHITE



RAL 6033 TURQUOISE



RAL 3000 RED



RAL 7035 GREY



RAL 5012 BLUE



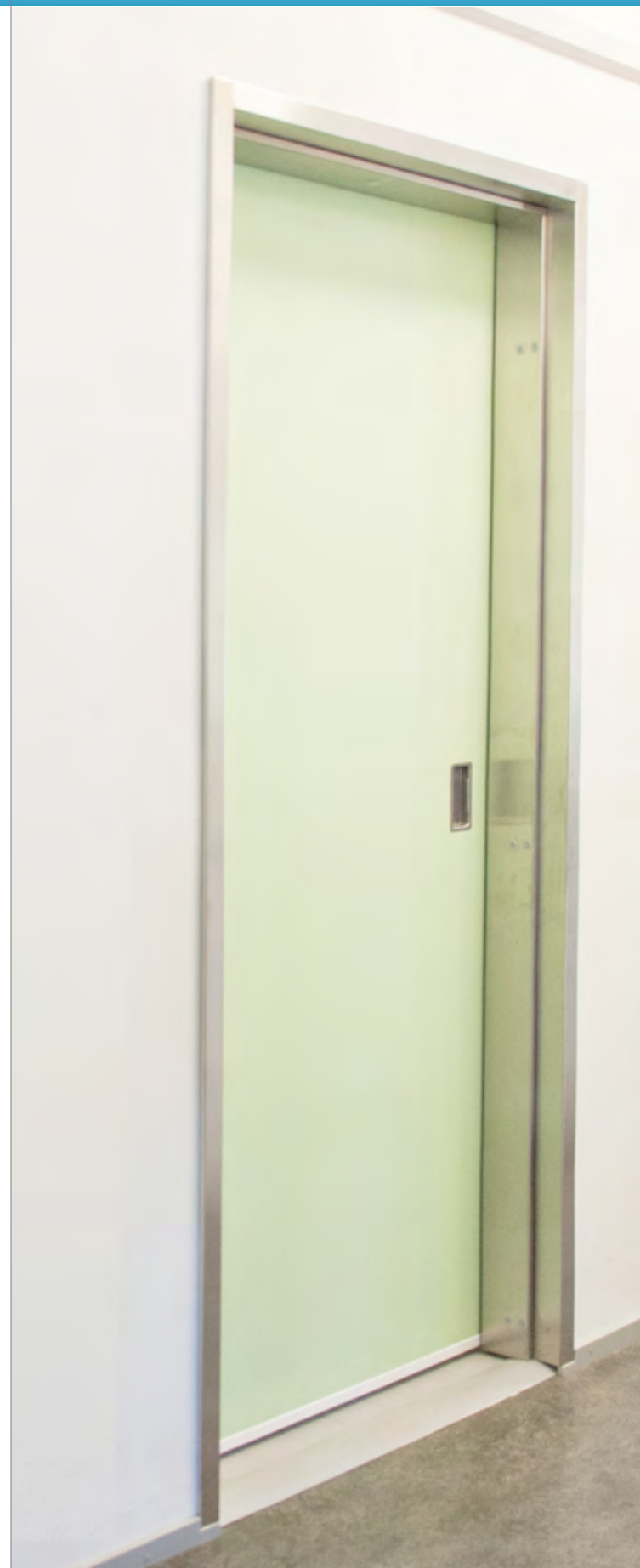
RAL 8023 BROWN



RAL 230 80 20 LIGHT BLUE



RAL 9016 WHITE



Choice of colours with LAMI doors and frames

Doors and frames no longer have to be just white or grey. You can choose the most suitable colour tone for your premises from 1600 No. colours available. The doors can be supplied with the same visual characteristics but provide a co-ordinated look for the building design, regardless of the special properties of the doors.





LAMI doors have the European Technical Approval, ETA-13/0625, issued by EOTA and VTT Expert Services Ltd.



LAMI doors are the first CE marked internal doors and internal fire doors for hygienic and clean rooms.

Further Information:
Tel. +358 20 728 1828
lamidoors@lamidoors.com

We are continually testing LAMI doors and frames to be able to provide even better quality, safety and comprehensive products for our clients. We only use testing laboratories approved by the EU Directives.

Standards and Certificates

During the years LAMI doors and their accessories have been developed and tested constantly (VTT Building Technology Certificate). It is of the utmost importance to us to provide high quality and maintenance-free products to our clients.

LAMI F30/F60/F120/F240 fire rated door systems have been tested to BS EN 1634-1:2008 or BS 476:Part 22. In addition all LAMI GRP doors are certified by VTT Building Technology.

LAMI doors' Product Certificates

LAMI GRP doors VTT-C-7149-11

The best surface material emission class M1

LAMI doors have been classified in the best surface material emission class M1. Finnish Building Control has granted LAMI doors the best M1 Emission Classification of Building Materials. M1 stands for low emissions. The aim of the classification is to enhance the development and use of low-emitting building materials.

Chemical Resistance/Cleanability and Influence of Moisture Tests

VTT Building Technology has tested LAMI doors according to 'Chemical Resistance/cleanability' (DIN 68861-1/EN 14688) and 'Influence of moisture' (EN 317).

LAMI DOORS group continues to research and test properties such as sound reduction, fire rating, x-ray protection, hygiene as well as resistance to chemicals for even better sustainability.

The CE marking indicates a product's compliance with EU legislation and so enables the free movement of products within the European market. By marking the product, manufacturer declares, on his sole responsibility, that the product meets all the legal requirements for the CE marking.

External pedestrian doorsets must have been CE marked since 01.07.2013 at the latest. However, the CE marking is based on harmonized product standard (hEN) and not all products must bear the CE marking if the harmonized product standard is still missing. The CE marking is required for product categories mentioned in specific EU directives on the CE marking.

If a product does not fall within the scope of a harmonised product standard (hEN), it is not required to have a CE marking. The manufacturer may still acquire a CE marking for the product through the European Technical Approval (ETA) like LAMI doors has done.

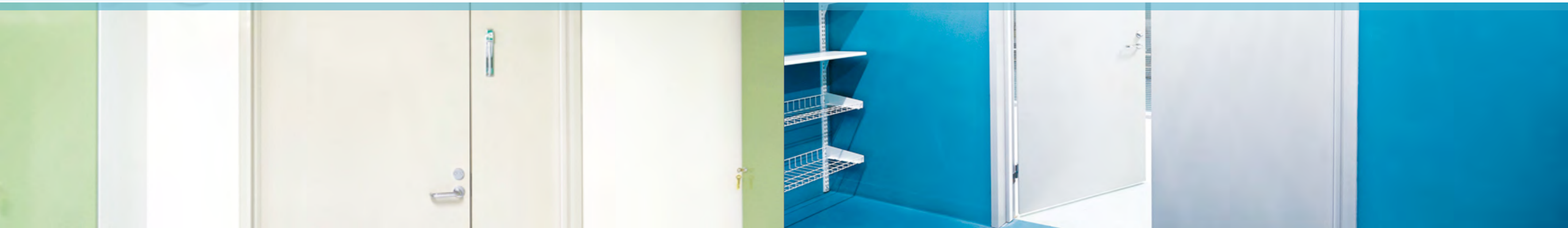
The Declaration of Performance (DoP) is a requirement for obtaining a CE marking for a product. The manufacturer draws up the Declaration of Performance according to an European Technical Approval (ETA). The Declaration of Performance lists all values regarding product properties that are required to meet the official regulations.



Download DoP documents and ETA-13/0625:

<http://lamidoors.com/en/products/technical/ce-marking-eta/>

LAMI doors are the first CE marked internal doors and internal fire doors for hygienic and clean rooms



The operations of LAMI DOORS group are based on company values and vision as well as on quality. For maintaining and creating long-term client relationships, we will provide and develop the quality of our products and services at all levels of the organisation. We offer comprehensive, high quality and flexible solutions for our clients.

COMPANY VALUES ARE:

- Customer Satisfaction
- Positivity
- Flexibility
- Profitability
- Job Satisfaction
- Openness
- Fast Response

ENVIRONMENTAL POLICY

LAMI DOORS group contributes to protect the environment by developing and producing innovative and sustainable door solutions. Even in severe conditions, LAMI GRP doors will provide decades of trouble-free operation under normal use. All the products manufactured by LAMI DOORS group are packaged in eco-friendly and recyclable materials.

LAMI DOORS group is committed to enhance awareness of European environmental legislation, regulations, British Standards and Good Manufacturing Practice. We are proud to acknowledge that the VERY FIRST LAMI door manufactured in 1966 is still in use today.

RESPONSIBLE CARE- PROGRAM

LAMI DOORS group are participating in a voluntary 'Responsible Care' program of the chemical industry – global initiative in health, safety and environmental issues. The aim of this program is to ensure that operations comply with the guidelines of sustainable development in terms of the environment, health and safety. LAMI DOORS group and other companies participating in this program are committed to improving their operations on a continuous basis so that issues relating to the environment, safety and health receive due attention. The companies are also committed to developing their products and processes in a way that enhances the well-being of the whole society. The basis of Responsible Care program lies in stakeholder-level cooperation and openness.

Further information on Responsible Care program is available on our website lamidoors.com and <http://www.chemind.fi>

LAMI DOORS group follows various legislations and regulations as well as Good Manufacturing Practise requirements having approvals and certificates in a variety of Countries.

During the years LAMI doors and their accessories have been developed and tested constantly (VTT Building Technology Certificate). It is of the utmost importance to us to provide high quality and maintenance-free products to our clients.

Good Manufacturing Practice (GMP) requirements

LAMI DOORS group follows the Good Manufacturing Practice (GMP) requirements on all products as detailed in EudraLex - Volume 4 Good Manufacturing Practice (GMP) Guidelines and in its Annex 1 chapter 46 of Manufacture of Sterile Medicinal Products.

LAMI doors are free of timber or other organic materials that promote the bacterial growth. The encapsulated door structure and smooth surfaces of LAMI doors make them extremely easy to clean and will not harbor dirt or bacteria. The surfaces can also withstand the strongest disinfectants and cleaning agents.

The best surface material emission class M1

LAMI doors have been classified in the best surface material emission class M1. Finnish Building Control has granted LAMI doors the best M1 Emission Classification of Building Materials. M1 stands for low emissions. The aim of the classification is to enhance the development and use of low-emitting building materials.

Further information on Emission Classification is available on website <https://www.rakennustiето.fi/index/english/emissionclassificationofbuildingmaterials.html>

LAMI F30/F60/F120/F240 fire rated door systems have been tested to BS EN 1634-1:2008 or BS 476:Part 22. In addition all LAMI GRP doors are certified by VTT Building Technology.

For more information about standards and certificates, please do not hesitate to contact us.





- SEAMLESS STRUCTURE
- CHEMICAL RESISTANCE
- HYGIENIC
- WATERPROOF
- CORROSION PROOF
- LIGHT WEIGHT
- SAFE TO USE
- LONG LIFE EXPECTANCY
- YOUR OWN DESIGN

The KAS single action hinged doorset consists of a polyurethane foam filled pressure moulded Glass Reinforced Polyester (GRP) doorleaf hung on a fully adjustable aluminium frame system. Designed for non-fire rated applications. Ideal for fitting to insulated panels, partitioning systems and plasterboard walls. Can also be fitted to brick or block openings.

Typical Applications:

- Hospitals and Animal Clinics
- Pharmaceuticals, Laboratories and Cleanrooms
- University Research Facilities
- Schools, Nurseries and Care Homes
- Spas, Swimming Pools and Leisure Centres
- Hotels, Restaurants and all Commercial Kitchens
- Supermarkets and all Food Preparation Areas
- Chemical and Electrical Industry and Warehouses
- Water Treatment and Agricultural Buildings



CE marking, certifications and approvals of LAMI doors
Read more on page 0.11 or contact us!

lamidoors@lamidoors.com
www.lamidoors.com

Download KAS Specifications: www.lamidoors.com



Editable
PDF File

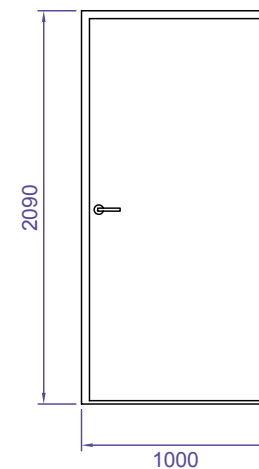


WORD File



TXT File

Door Ref. NO	
Handing Right	
Handing Left	
Handing Total	
Door Type	KAS / LAMI GRP DOORS / LAMI DOORS UK LTD.
Structural Opening	Width (mm) x Height (mm)
Wall Thickness	
Wall Construction	
Colour - Doorleaf	
Colour - Frame	
Vision Panel	Size (mm)
Threshold	
Kick Plate	Height (mm) Side Material
Bumper	Height (mm) Side Quantity
Edge Protection	
Centre Rebate	



IRONMONGERY	
Latch + lever handles	
Sashlock + lever handles	
Deadlock	
Pull Handle	
Push Plate	
Closer	

For a comprehensive list of all options and ironmongery please consult our technical department.

We are dedicated in providing the best possible service and technical support to our clients at all times. Please find your nearest representative on www.lamidoors.com.

STANDARD SIZES

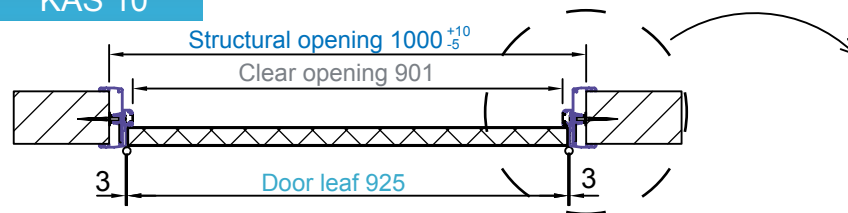
SPECIAL SIZES AVAILABLE

Door Type	Door leaf	Clear Opening	Structural Opening
Single Doors			
KAS 7	625x2040	601x2035	700x2090
KAS 8	725x2040	701x2035	800x2090
KAS 8/27	725x2640	701x2635	800x2690
KAS 9	825x2040	801x2045	900x2090
KAS 9/25	825x2440	801x2435	900x2490
KAS 9/27	825x2640	801x2635	900x2690
KAS 9 X	860x2040	836x2035	935x2090
KAS 10	925x2040	901x2035	1000x2090
KAS 10/25	925x2440	901x2435	1000x2490
KAS 10/27	925x2640	901x2635	1000x2690
KAS 11	1025x2040	1001x2035	1100x2090
KAS 11/25	1025x2440	1001x2435	1100x2490
KAS 12	1125x2040	1101x2035	1200x2090
KAS 12/25	1125x2440	1101x2435	1200x2490
KAS 13	1225x2040	1201x2035	1300x2090
KAS 13/28	1225x2700	1201x2695	1300x2750
Double Doors			
KAS 14 P	625+625x2040	1229x2035	1330x2090
KAS 16 P	725+725x2040	1429x2035	1530x2090
KAS 16/27 P	725+725x2640	1429x2635	1530x2690
KAS 18 P	825+825x2040	1629x2035	1730x2090
KAS 18/25 P	825+825x2440	1629x2435	1730x2490
KAS 18/27 P	825+825x2640	1629x2635	1730x2690
KAS 18 X P	860+860x2040	1699x2035	1800x2090
KAS 20 P	925+925x2040	1829x2035	1930x2090
KAS 20/25 P	925+925x2440	1829x2435	1930x2490
KAS 20/27 P	925+925x2640	1829x2635	1930x2690
KAS 22 P	1025+1025x2040	2029x2035	2130x2090
KAS 22/25 P	1025+1025x2440	2029x2435	2130x2490
KAS 24 P	1125+1125x2040	2229x2035	2330x2090
KAS 24/25 P	1125+1125x2440	2229x2435	2330x2490
KAS 26 P	1225+1225x2040	2429x2035	2530x2090
KAS 26/28 P	1225+1225x2700	2429x2695	2530x2750

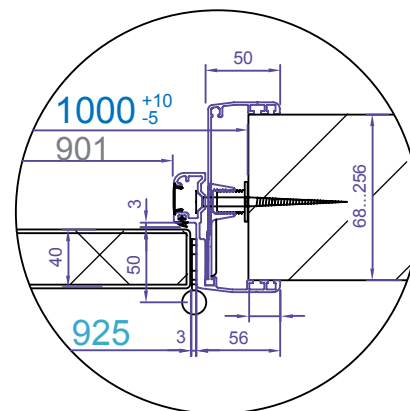
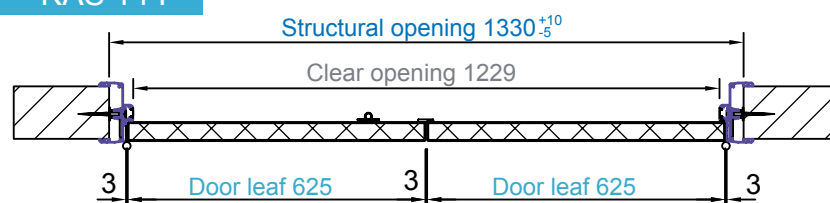


Non-standard sizes also available. To produce a leaf and a half doorsets the door leaf sizes 295x2040, 395x2040 and 495x2040 are also available. LAMI electric cable consoles shown in part 'Other Products'.

KAS 10



KAS 14 P



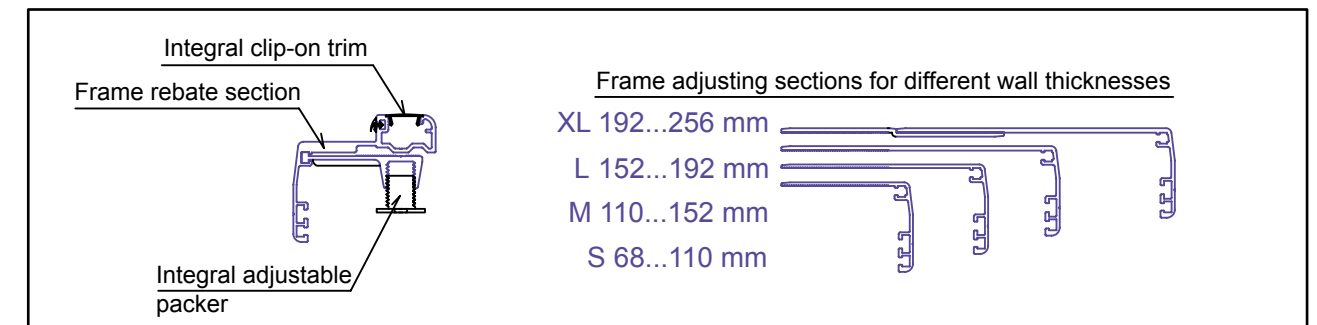
TECHNICAL DETAILS

DOOR LEAF

- 40 mm thick pressure moulded Glass Reinforced Polyester doorblade. Seamless with no lippings or laminations. Waterproof and lightweight.
- HCFC-free PU rigid foam core material. Free of timber or other organic materials.
- Sound insulation 24 dB, water absorption 0 %.

FRAME

- Adjustable aluminium frame for wall thickness from 68 to 256 mm, integral adjustable packers at fixing points to ease the installation.
- Integral white clip-on trim fully concealing the frame fixings.



All frame sections are protected by registration of design

KAS STANDARD OPTIONS AND ACCESSORIES

DOOR LEAF COLOUR

RAL 9016 white or other standard colour; see section 0.05 (1600 No. colours available to special order)

FRAME COLOUR

White powder coated aluminium or anodised aluminium (Other colour options to special order)

HINGES

Corrosion and acid proof stainless steel lift-off hinges 120x34

IRONMONGERY

Client specified ironmongery or selection from our standard range

SEALS

Integral silicon seal in the frame

DOUBLE DOORS

Flush bolts Roca 849 in leading edge
Aluminium or stainless steel centre rebate with rubber seal

LAMI GRP door set is a 'design' product; please add & specify your choice of vision panels, threshold, ironmongery etc. See guidance in "ACCESSORIES & MORE".



- SEAMLESS STRUCTURE
- CHEMICAL RESISTANCE
- HYGIENIC
- WATER PROOF
- CORROSION PROOF
- LIGHT WEIGHT
- SAFE TO USE
- LONG LIFE EXPECTANCY
- YOUR OWN DESIGN

The KMS single action hinged doorset consists of a polyurethane foam filled pressure moulded Glass Reinforced Polyester (GRP) door leaf hung on a GRP frame. Designed for non-fire rated applications. Suitable for fitting to brick or block openings. Can also be fitted to insulated panels, partitioning systems and plasterboard walls.

Typical Applications:

- Hospitals and Animal Clinics
- Pharmaceuticals, Laboratories and Cleanrooms
- University Research Facilities
- Schools, Nurseries and Care Homes
- Spas, Swimming Pools and Leisure Centres
- Hotels, Restaurants and all Commercial Kitchens
- Supermarkets and all Food Preparation Areas
- Chemical and Electrical Industry and Warehouses
- Water Treatment and Agricultural Buildings



CE marking, certifications and approvals of LAMI doors
Read more on page 0.11 or contact us!

lamidoors@lamidoors.com
www.lamidoors.com

Download KMS Specifications: www.lamidoors.com



Editable
PDF File

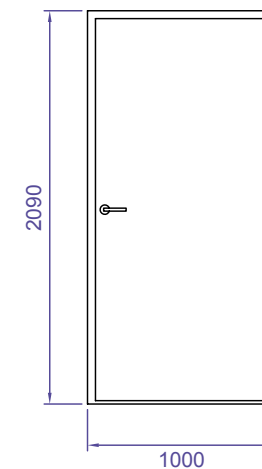


WORD File



TXT File

Door Ref. NO	
Handing Right	
Handing Left	
Handing Total	
Door Type	KMS / LAMI GRP DOORS / LAMI DOORS UK LTD.
Structural Opening	Width (mm) x Height (mm)
Wall Thickness	
Wall Construction	
Colour - Doorleaf	
Colour - Frame	
Vision Panel	Size (mm)
Threshold	
Kick Plate	Height (mm) Side Material
Bumper	Height (mm) Side Quantity
Edge Protection	
Centre Rebate	



IRONMONGERY

Latch + lever handles	
Sashlock + lever handles	
Deadlock	
Pull Handle	
Push Plate	
Closer	

For a comprehensive list of all options and ironmongery please consult our technical department.

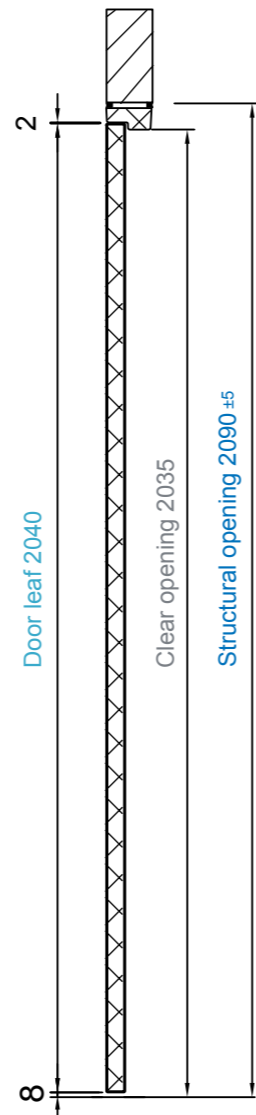
We are dedicated in providing the best possible service and technical support to our clients at all times.
Please find your nearest representative on www.lamidoors.com.

STANDARD SIZES

SPECIAL SIZES AVAILABLE

TECHNICAL DETAILS

Door Type	Doorleaf	Clear Opening	Structural Opening	
			+10 -5	±5
Single Doors				
KMS 7	625x2040	601x2035	700x2090	
KMS 8	725x2040	701x2035	800x2090	
KMS 8/27	725x2640	701x2635	800x2690	
KMS 9	825x2040	801x2035	900x2090	
KMS 9/25	825x2440	801x2435	900x2490	
KMS 9/27	825x2640	801x2635	900x2690	
KMS 9 X	860x2040	836x2035	935x2090	
KMS 10	925x2040	901x2035	1000x2090	
KMS 10/25	925x2440	901x2435	1000x2490	
KMS 10/27	925x2640	901x2635	1000x2690	
KMS 11	1025x2040	1001x2035	1100x2090	
KMS 11/25	1025x2440	1001x2435	1100x2490	
KMS 12	1125x2040	1101x2035	1200x2090	
KMS 12/25	1125x2440	1101x2435	1200x2490	
KMS 13	1225x2040	1201x2035	1300x2090	
KMS 13/28	1225x2700	1201x2695	1300x2750	
Double Doors				
KMS 14 P	625+625x2040	1229x2035	1330x2090	
KMS 16 P	725+725x2040	1429x2035	1530x2090	
KMS 16/27 P	725+725x2640	1429x2635	1530x2690	
KMS 18 P	825+825x2040	1629x2035	1730x2090	
KMS 18/25 P	825+825x2440	1629x2435	1730x2490	
KMS 18/27 P	825+825x2640	1629x2635	1730x2690	
KMS 18 X P	860+860x2040	1699x2035	1800x2090	
KMS 20 P	925+925x2040	1829x2035	1930x2090	
KMS 20/25 P	925+925x2440	1829x2435	1930x2490	
KMS 20/27 P	925+925x2640	1829x2635	1930x2690	
KMS 22 P	1025+1025x2040	2029x2035	2130x2090	
KMS 22/25 P	1025+1025x2440	2029x2435	2130x2490	
KMS 24 P	1125+1125x2040	2229x2035	2330x2090	
KMS 24/25 P	1125+1125x2440	2229x2435	2330x2490	
KMS 26 P	1225+1225x2040	2429x2035	2530x2090	
KMS 26/28 P	1225+1225x2700	2429x2695	2530x2750	

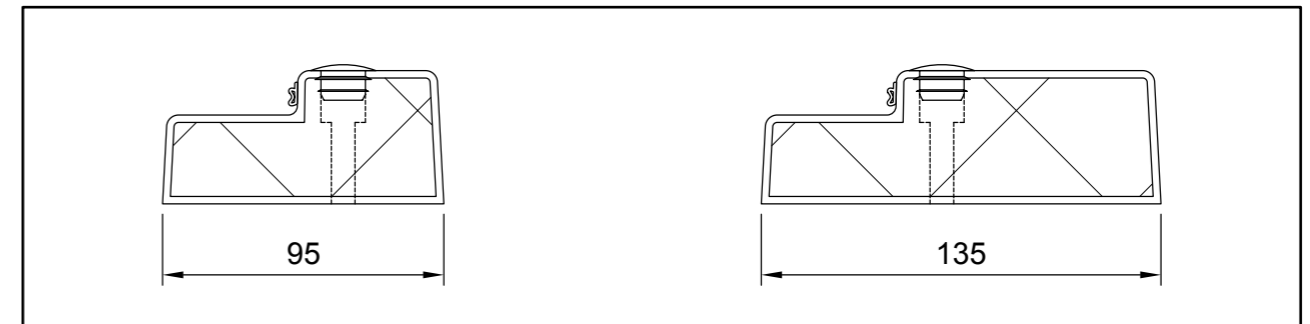


DOOR LEAF

- 40 mm thick pressure moulded Glass Reinforced Polyester doorblade. Seamless with no lippings or laminations. Waterproof and lightweight.
- HCFC-free PU rigid foam core material. Free of timber or other organic materials.
- Sound insulation 24 dB, water absorption 0 %.

FRAME

- Pressure moulded GRP construction with internal reinforcement, factory prepared mitred corner joints, fitted hinges and pre-drilled fixing points.
- Choice of two frame depths 95 mm or 135 mm.



Non-standard sizes also available. To produce a leaf and a half doorsets the door leaf sizes 295x2040, 395x2040 and 495x2040 are also available. LAMI electric cable consoles shown in part 'Other Products'.

KMS STANDARD OPTIONS AND ACCESSORIES

DOORLEAF COLOUR

RAL 9016 white or other standard colour; see section 0.05 (1600 No. colours available to special order)

FRAME COLOUR

RAL 9016 white or other standard colour; see section 0.05 (1600 No. colours available to special order)

HINGES

Corrosion and acid proof stainless steel lift-off hinges 120x34

IRONMONGERY

Client specified ironmongery or selection from our standard range

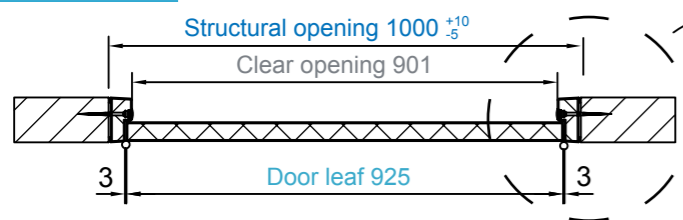
SEALS

Silicon seal in the frame

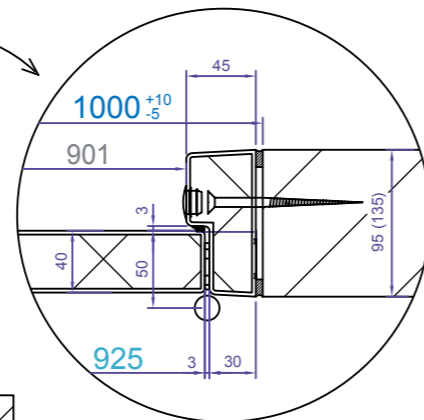
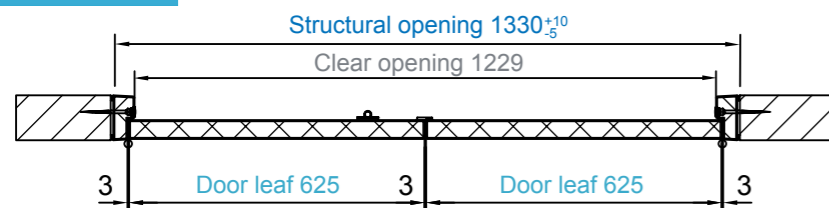
DOUBLE DOORS

Flush bolts Roca 849 in leading edge
Aluminium or stainless steel centre rebate with rubber seal

KMS 10



KMS 14 P



LAMI GRP door set is a 'design' product; please add & specify your choice of vision panels, threshold, ironmongery etc. See guidance in "ACCESSORIES & MORE".



- SEAMLESS STRUCTURE
- CHEMICAL RESISTANCE
- HYGIENIC
- WATER PROOF
- CORROSION PROOF
- LIGHT WEIGHT
- SAFE TO USE
- LONG LIFE EXPECTANCY
- YOUR OWN DESIGN

The KRS single action hinged doorset consists of a polyurethane foam filled pressure moulded Glass Reinforced Polyester (GRP) door leaf hung on a Stainless Steel Frame. Designed for non-fire rated applications. Suitable for fitting to brick or block openings. Can also be fitted to insulated panels, partitioning systems and plasterboard walls.

Typical Applications:

- Hospitals and Animal Clinics
- Pharmaceuticals, Laboratories and Cleanrooms
- University Research Facilities
- Schools, Nurseries and Care Homes
- Spas, Swimming Pools and Leisure Centres
- Hotels, Restaurants and all Commercial Kitchens
- Supermarkets and all Food Preparation Areas
- Chemical and Electrical Industry and Warehouses
- Water Treatment and Agricultural Buildings



CE marking, certifications and approvals of LAMI doors
Read more on page 0.11 or contact us!

lamidoors@lamidoors.com
www.lamidoors.com

Download KRS Specifications: www.lamidoors.com



Editable
PDF File

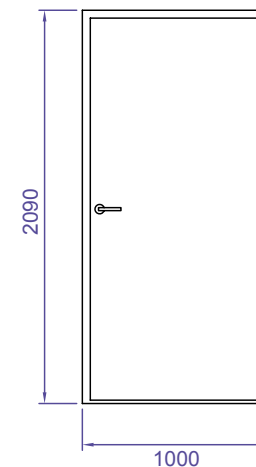


WORD File



TXT File

Door Ref. NO			
Handing Right			
Handing Left			
Handing Total			
Door Type	KRS / LAMI GRP DOORS / LAMI DOORS UK LTD.		
Structural Opening	Width (mm)	x Height (mm)	
Wall Thickness			
Wall Construction			
Colour - Doorleaf			
Colour - Frame			
Vision Panel	Size (mm)		
Threshold			
Kick Plate	Height (mm)	Side	Material
Bumper	Height (mm)	Side	Quantity
Edge Protection			
Centre Rebate			



IRONMONGERY

Latch + lever handles	
Sashlock + lever handles	
Deadlock	
Pull Handle	
Push Plate	
Closer	

For a comprehensive list of all options and ironmongery please consult our technical department.

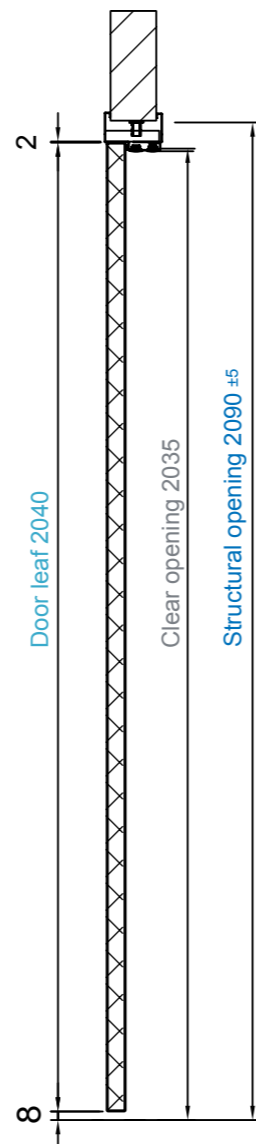
We are dedicated in providing the best possible service and technical support to our clients at all times. Please find your nearest representative on www.lamidoors.com.

STANDARD SIZES

SPECIAL SIZES AVAILABLE

TECHNICAL DETAILS

Door Type	Doorleaf	Clear Opening	Structural Opening
Single Doors			
KRS 7	625x2040	601x2035	700x2090
KRS 8	725x2040	701x2035	800x2090
KRS 8/27	725x2640	701x2635	800x2690
KRS 9	825x2040	801x2035	900x2090
KRS 9/25	825x2440	801x2435	900x2490
KRS 9/27	825x2640	801x2635	900x2690
KRS 9 X	860x2040	836x2035	935x2090
KRS 10	925x2040	901x2035	1000x2090
KRS 10/25	925x2440	901x2435	1000x2490
KRS 10/27	925x2640	901x2635	1000x2690
KRS 11	1025x2040	1001x2035	1100x2090
KRS 11/25	1025x2440	1001x2435	1100x2490
KRS 12	1125x2040	1101x2035	1200x2090
KRS 12/25	1125x2440	1101x2435	1200x2490
KRS 13	1225x2040	1201x2035	1300x2090
KRS 13/28	1225x2700	1201x2695	1300x2750
Double Doors			
KRS 14 P	625+625x2040	1229x2035	1330x2090
KRS 16 P	725+725x2040	1429x2035	1530x2090
KRS 16/27 P	725+725x2640	1429x2635	1530x2690
KRS 18 P	825+825x2040	1629x2035	1730x2090
KRS 18/25 P	825+825x2440	1629x2435	1730x2490
KRS 18/27 P	825+825x2640	1629x2635	1730x2690
KRS 18 X P	860+860x2040	1699x2035	1800x2090
KRS 20 P	925+925x2040	1829x2035	1930x2090
KRS 20/25 P	925+925x2440	1829x2435	1930x2490
KRS 20/27 P	925+925x2640	1829x2635	1930x2690
KRS 22 P	1025+1025x2040	2029x2035	2130x2090
KRS 22/25 P	1025+1025x2440	2029x2435	2130x2490
KRS 24 P	1125+1125x2040	2229x2035	2330x2090
KRS 24/25 P	1125+1125x2440	2229x2435	2330x2490
KRS 26 P	1225+1225x2040	2429x2035	2530x2090
KRS 26/28 P	1225+1225x2700	2429x2695	2530x2750

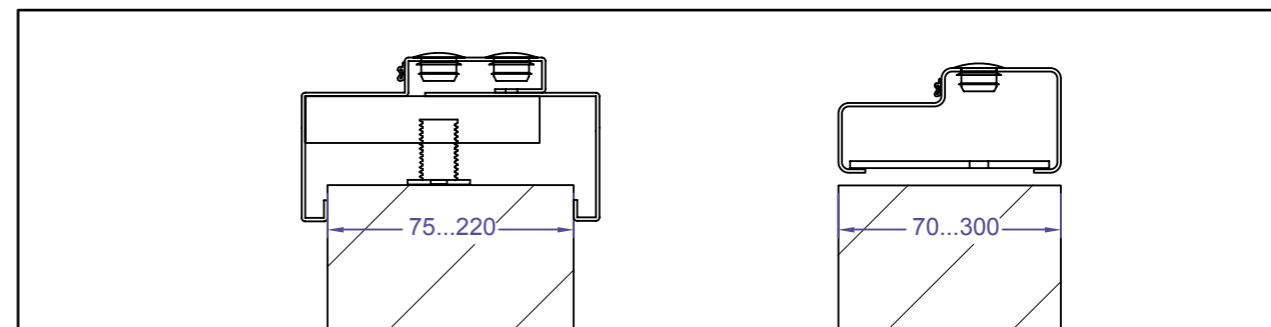


DOOR LEAF

- 40 mm thick pressure moulded Glass Reinforced Polyester doorblade. Seamless with no lippings or laminations. Waterproof and lightweight.
- HCFC-free PU rigid foam core material. Free of timber or other organic materials.
- Sound insulation 24 dB, water absorption 0 %.

FRAME

- Adjustable wrap around frame for wall thickness from 75 to 220 mm or non-adjustable stainless steel frame for wall thickness from 70 to 300 mm. Welded and polished corner joints. Material thickness 1.5 mm.
- Other frame depths and profiles available on request.

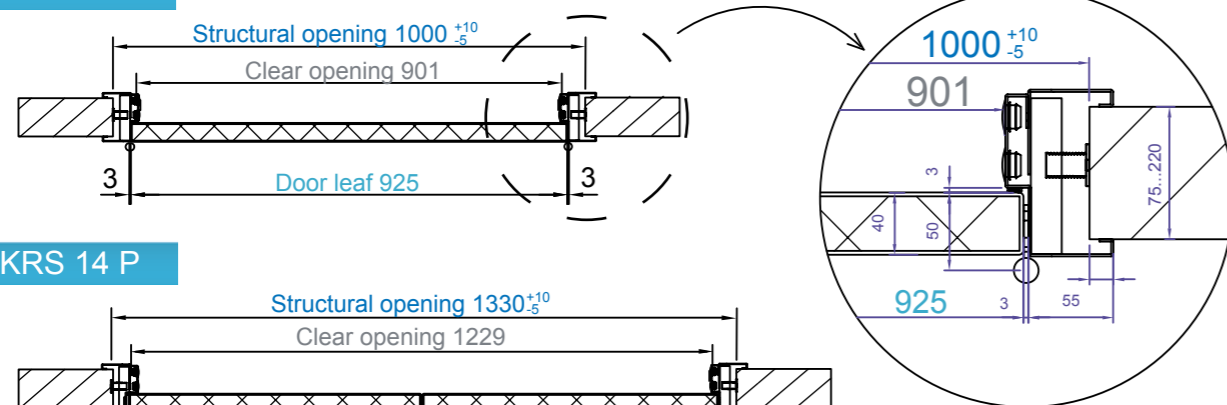


Non-standard sizes also available. To produce a leaf and a half doorsets the door leaf sizes 295x2040, 395x2040 and 495x2040 are also available. LAMI electric cable consoles shown in part 'Other Products'.

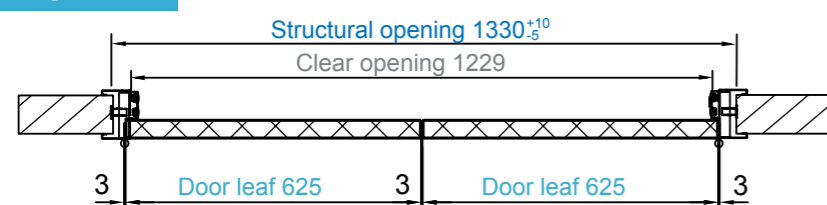
KRS STANDARD OPTIONS AND ACCESSORIES

- DOOR LEAF COLOUR** RAL 9016 white or other standard colour; see section 0.05 (1600 No. colours available to special order)
- FRAME COLOUR** Brushed finish stainless steel (304), acid proof stainless steel (316) or powder coated steel
- HINGES** Corrosion and acid proof stainless steel lift-off hinges 120x34
- IRONMONGERY** Client specified ironmongery or selection from our standard range
- SEALS** Silicon seal in the frame
- DOUBLE DOORS** Flush bolts Roca 849 in leading edge
Stainless steel centre rebate with rubber seal

KRS 10



KRS 14 P



LAMI GRP door set is a 'design' product; please add & specify your choice of vision panels, threshold, ironmongery etc. See guidance in "ACCESSORIES & MORE".



- SEAMLESS STRUCTURE
- CHEMICAL RESISTANCE
- HYGIENIC
- WATERPROOF
- CORROSION PROOF
- LIGHT WEIGHT
- SAFE TO USE
- LONG LIFE EXPECTANCY
- YOUR OWN DESIGN

JK Chill Room doors; Aluminium frames with thermal stop are ideal for premises where the requirements for standards of hygiene are high. The doors are required to be water and moisture proof, hygienic, durable as well as light weight and safe to use. JK Chill Room doors are suitable for temperatures between +10°C and +2°C. K-value 0,43 W/h m² C.

Typical Applications:

- Chill rooms in supermarkets, restaurants and commercial kitchens
- Chill rooms in food industry
- Other chill rooms



Certifications and approvals of LAMI doors
Read more on page 0.11 or contact us!

Download JK Specifications: www.lamidoors.com



Editable
PDF File

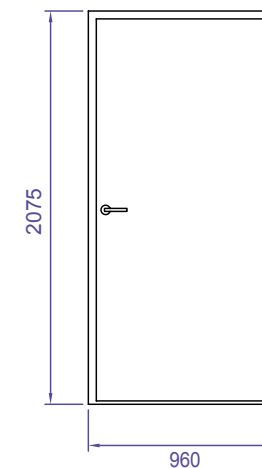


WORD File



TXT File

Door Ref. NO	
Handing Right	
Handing Left	
Handing Total	
Door Type	JK / LAMI GRP DOORS / LAMI DOORS UK LTD.
Structural Opening	Width (mm) x Height (mm)
Wall Thickness	
Wall Construction	
Colour - Doorleaf	
Colour - Frame	
Vision Panel	Size (mm)
Threshold	
Kick Plate	Height (mm) Side Material
Bumper	Height (mm) Side Quantity
Edge Protection	
Centre Rebate	



IRONMONGERY

Latch + lever handles

Sashlock + lever handles

Deadlock

Pull Handle

Push Plate

Closer

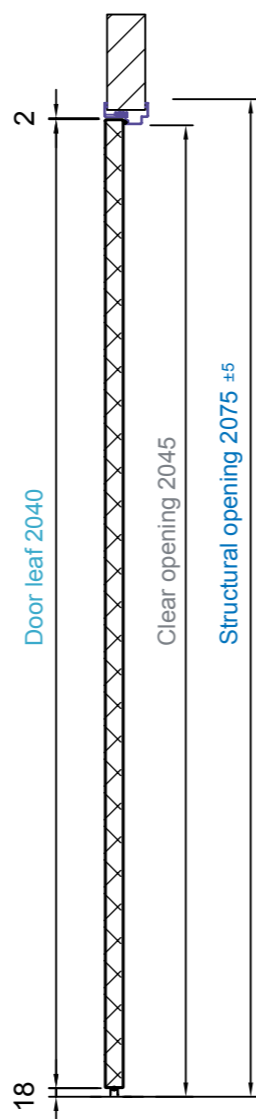
For a comprehensive list of all options and ironmongery please consult our technical department.

We are dedicated in providing the best possible service and technical support to our clients at all times.
Please find your nearest representative on www.lamidoors.com.

STANDARD SIZES

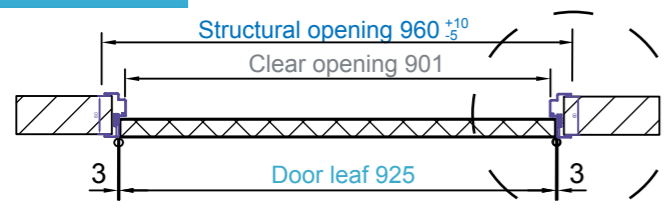
SPECIAL SIZES AVAILABLE

Door Type	Door leaf	Clear Opening	Structural Opening
Single Doors			
JK 7	625x2040	601x2045	660x2075
JK 8	725x2040	701x2045	760x2075
JK 8/27	725x2640	701x2645	760x2675
JK 9	825x2040	801x2045	860x2075
JK 9/25	825x2440	801x2445	860x2475
JK 9/27	825x2640	801x2645	860x2675
JK 9 X	860x2040	836x2045	935x2075
JK 10	925x2040	901x2045	960x2075
JK 10/25	925x2440	901x2445	960x2475
JK 10/27	925x2640	901x2645	960x2675
JK 11	1025x2040	1001x2045	1060x2075
JK 11/25	1025x2440	1001x2445	1060x2475
JK 12	1125x2040	1101x2045	1160x2075
JK 12/25	1125x2440	1101x2445	1160x2475
JK 13	1225x2040	1201x2045	1260x2075
JK 13/28	1225x2700	1201x2705	1260x2735
Double Doors			
JK 14 P	625+625x2040	1229x2045	1290x2075
JK 16 P	725+725x2040	1429x2045	1490x2075
JK 16/27 P	725+725x2640	1429x2645	1490x2675
JK 18 P	825+825x2040	1629x2045	1690x2075
JK 18/25 P	825+825x2440	1629x2445	1690x2475
JK 18/27 P	825+825x2640	1629x2645	1690x2675
JK 18 X P	860+860x2040	1699x2045	1790x2075
JK 20 P	925+925x2040	1829x2045	1890x2075
JK 20/25 P	925+925x2440	1829x2445	1890x2475
JK 20/27 P	925+925x2640	1829x2645	1890x2675
JK 22 P	1025+1025x2040	2029x2045	2090x2075
JK 22/25 P	1025+1025x2440	2029x2445	2090x2475
JK 24 P	1125+1125x2040	2229x2045	2290x2075
JK 24/25 P	1125+1125x2440	2229x2445	2290x2475
JK 26 P	1225+1225x2040	2429x2045	2490x2075
JK 26/28 P	1225+1225x2700	2429x2705	2490x2735

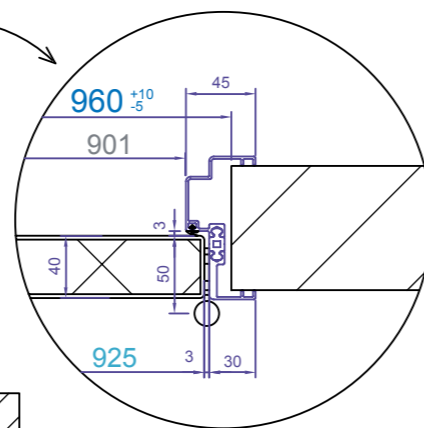
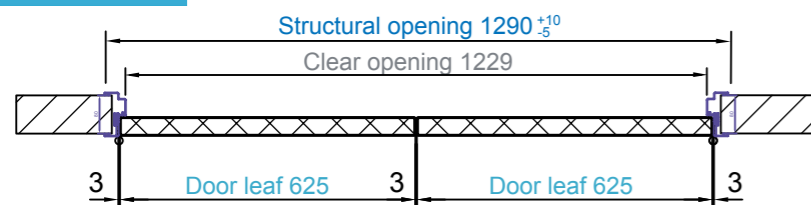


Non-standard sizes also available. To produce a leaf and a half doorsets the door leaf sizes 295x2040, 395x2040 and 495x2040 are also available. LAMI electric cable consoles shown in part 'Other Products'.

JK 10



JK 14 P



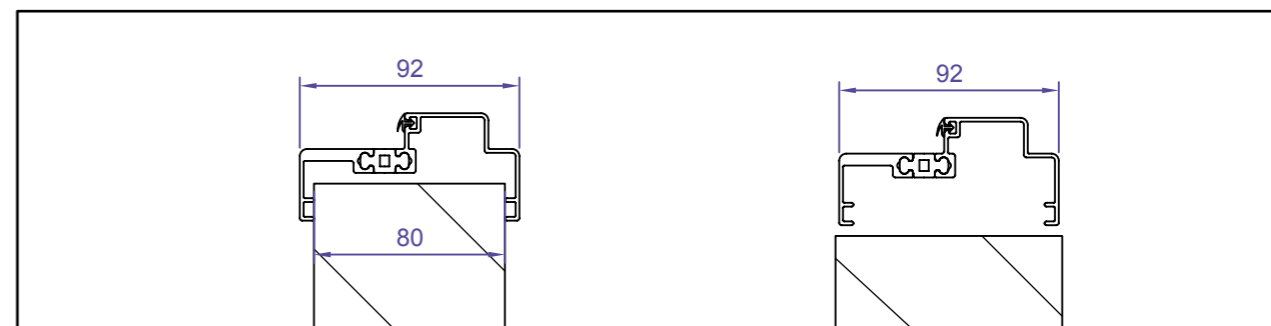
TECHNICAL DETAILS

DOOR LEAF

- 40 mm thick pressure moulded Glass Reinforced Polyester doorblade. Seamless with no lippings or laminations. Waterproof and lightweight.
- HCFC-free PU rigid foam core material. Free of timber or other organic materials.
- Sound insulation 24 dB, water absorption 0 %.

FRAME

- Non-adjustable aluminium frame with thermal stop for wall thickness 80 and > 90 mm.



JK STANDARD OPTIONS AND ACCESSORIES

DOOR LEAF COLOUR	RAL 9016 white or other standard colour; see section 0.05 (1600 No. colours available to special order)
FRAME COLOUR	Natural anodised aluminium
HINGES	Corrosion and acid proof stainless steel lift-off hinges 120x34
IRONMONGERY	Client specified ironmongery or selection from our standard range
SEALS	Integral silicon seal in the frame
DOUBLE DOORS	Flush bolts Roca 849 in leading edge Aluminium or stainless steel centre rebate with rubber seal
WIPE SEALS	Double silicon seal fitted to the bottom of door leaf

LAMI GRP door set is a 'design' product; please add & specify your choice of vision panels, threshold, ironmongery etc. See guidance in "ACCESSORIES & MORE".



- SEAMLESS STRUCTURE
- CHEMICAL RESISTANCE
- HYGIENIC
- WATERPROOF
- CORROSION PROOF
- LIGHT WEIGHT
- SAFE TO USE
- LONG LIFE EXPECTANCY
- YOUR OWN DESIGN

The F30/F60/F120/F240/KMS single action hinged fire rated doorsets consist of a pressure moulded Glass Reinforced Polyester (GRP) doorleaf with a fire resisting core material, hung on a GRP frame. Designed and tested for fire rated applications up to 240 minutes fire resistance. Suitable for fitting to brick or block openings. Can also be fitted to insulated panels, partitioning systems and plasterboard walls.

Typical Applications:

- Hospitals and Animal Clinics
- Pharmaceuticals, Laboratories and Cleanrooms
- University Research Facilities
- Schools, Nurseries and Care Homes
- Spas, Swimming Pools and Leisure Centres
- Hotels, Restaurants and all Commercial Kitchens
- Supermarkets and all Food Preparation Areas
- Chemical and Electrical Industry and Warehouses
- Water Treatment and Agricultural Buildings



CE marking, certifications and approvals of LAMI doors
Read more on page 0.11 or contact us!

lamidoors@lamidoors.com
www.lamidoors.com

Download F/KMS Specifications: www.lamidoors.com



Editable PDF File

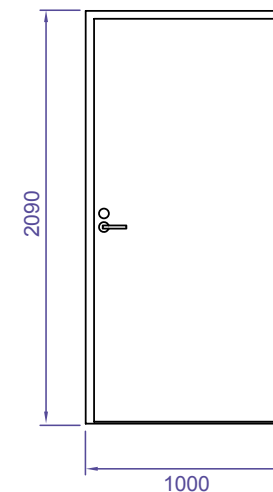


WORD File



TXT File

Door Ref. NO			
Handing Right			
Handing Left			
Handing Total			
Door Type	F/KMS / LAMI GRP DOORS / LAMI DOORS UK LTD.		
Structural Opening	Width (mm)	x Height (mm)	
Wall Thickness			
Wall Construction			
Colour - Doorleaf			
Colour - Frame			
Vision Panel	Size (mm)		
Threshold			
Kick Plate	Height (mm)	Side	Material
Bumper	Height (mm)	Side	Quantity
Edge Protection			
Centre Rebate			



IRONMONGERY

Latch + lever handles	
Sashlock + lever handles	
Deadlock	
Pull Handle	
Push Plate	
Closer	

For a comprehensive list of all options and ironmongery please consult our technical department.

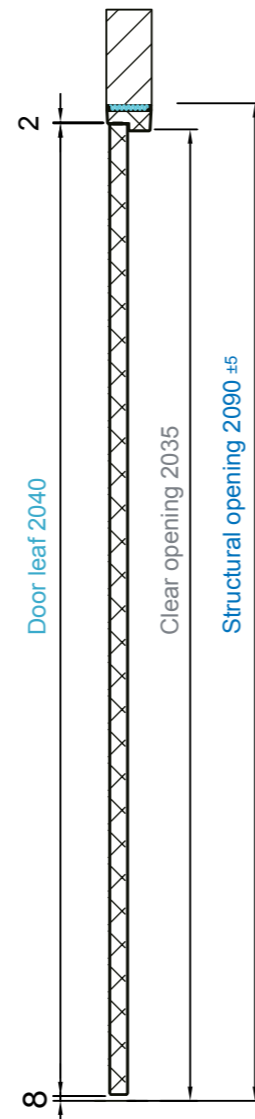
We are dedicated in providing the best possible service and technical support to our clients at all times. Please find your nearest representative on www.lamidoors.com.

STANDARD SIZES

SPECIAL SIZES AVAILABLE

TECHNICAL DETAILS

Door Type	Door leaf	Clear Opening	Structural Opening
Single Doors			⁺¹⁰ / ₋₅ ±5
F/KMS 7	625x2040	601x2035	700x2090
F/KMS 8	725x2040	701x2035	800x2090
F/KMS 8/27	725x2640	701x2635	800x2690
F/KMS 9	825x2040	801x2035	900x2090
F/KMS 9/25	825x2440	801x2435	900x2490
F/KMS 9/27	825x2640	801x2635	900x2690
F/KMS 9 X	860x2040	836x2035	935x2090
F/KMS 10	925x2040	901x2035	1000x2090
F/KMS 10/25	925x2440	901x2435	1000x2490
F/KMS 10/27	925x2640	901x2635	1000x2690
F/KMS 11	1025x2040	1001x2035	1100x2090
F/KMS 11/25	1025x2440	1001x2435	1100x2490
F/KMS 12	1125x2040	1101x2035	1200x2090
F/KMS 12/25	1125x2440	1101x2435	1200x2490
F/KMS 13	1225x2040	1201x2035	1300x2090
F/KMS 13/28	1225x2700	1201x2695	1300x2750
Double Doors			
F/KMS 14 P	625+625x2040	1229x2035	1330x2090
F/KMS 16 P	725+725x2040	1429x2035	1530x2090
F/KMS 16/27 P	725+725x2640	1429x2635	1530x2690
F/KMS 18 P	825+825x2040	1629x2035	1730x2090
F/KMS 18/25 P	825+825x2440	1629x2435	1730x2490
F/KMS 18/27 P	825+825x2640	1629x2635	1730x2690
F/KMS 18 X P	860+860x2040	1699x2035	1800x2090
F/KMS 20 P	925+925x2040	1829x2035	1930x2090
F/KMS 20/25 P	925+925x2440	1829x2435	1930x2490
F/KMS 20/27 P	925+925x2640	1829x2635	1930x2690
F/KMS 22 P	1025+1025x2040	2029x2035	2130x2090
F/KMS 22/25 P	1025+1025x2440	2029x2435	2130x2490
F/KMS 24 P	1125+1125x2040	2229x2035	2330x2090
F/KMS 24/25 P	1125+1125x2440	2229x2435	2330x2490
F/KMS 26 P	1225+1225x2040	2429x2035	2530x2090
F/KMS 26/28 P	1225+1225x2700	2429x2695	2530x2750

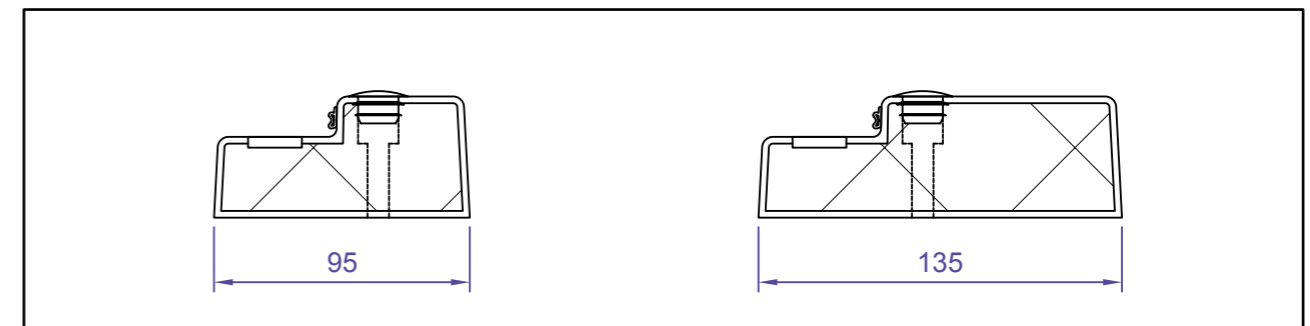


DOOR LEAF

- 40 mm thick pressure moulded Glass Reinforced Polyester doorblade. Seamless with no lippings or laminations. Waterproof and durable.
- Fire resisting core material. Free of timber or other organic materials.
- Fire resistance up to 240 minutes, water absorption 0 %.

FRAME

- Pressure moulded GRP construction with integral intumescent and cold smoke seals. Factory prepared mitred corner joints, fitted hinges and pre-drilled fixing points.
- Choice of two frame depths 95 mm or 135 mm.



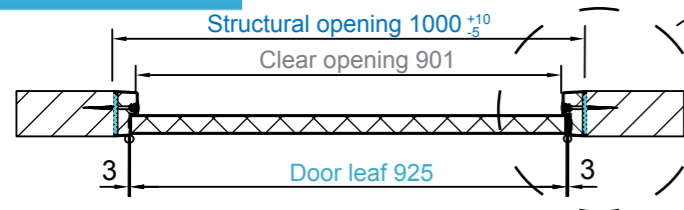
Non-standard sizes also available. To produce a leaf and a half doorsets the door leaf sizes 295x2040, 395x2040 and 495x2040 are also available. LAMI electric cable consoles shown in part 'Other Products'.

F/KMS STANDARD OPTIONS AND ACCESSORIES

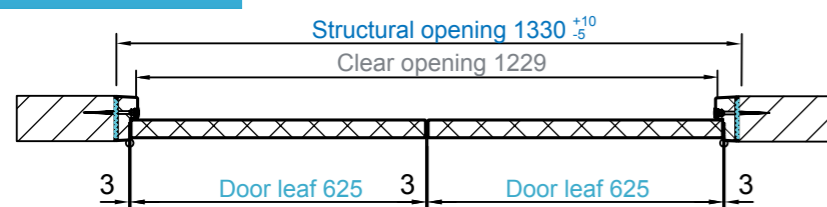
- DOORLEAF COLOUR** RAL 9016 white or other standard colour; see section 0.05 (1600 No. colours available to special order)
- FRAME COLOUR** RAL 9016 white or other standard colour; see section 0.05 (1600 No. colours available to special order)
- HINGES** Corrosion and acid proof stainless steel lift-off hinges LAMI 110x34
- IRONMONGERY** Client specified ironmongery or selection from our standard range
- SEALS** Cold smoke silicon seal and flush fitted intumescent seal in the frame
- DOUBLE DOORS** Acid proof stainless steel bolt
Stainless steel centre rebate with rubber seal

LAMI GRP door set is a 'design' product; please add & specify your choice of vision panels, threshold, ironmongery etc. See guidance in "ACCESSORIES & MORE".

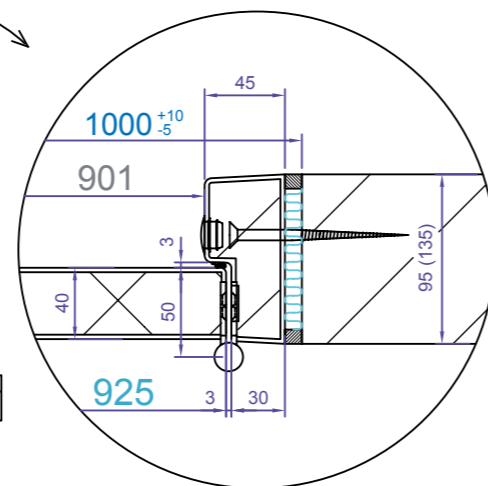
F/KMS 10



F/KMS 14 P



Mineral wool or non-combustible material to be installed between frame and wall





- SEAMLESS STRUCTURE
- CHEMICAL RESISTANCE
- HYGIENIC
- WATERPROOF
- CORROSION PROOF
- LIGHT WEIGHT
- SAFE TO USE
- LONG LIFE EXPECTANCY
- YOUR OWN DESIGN

The F30/F60/KRS single action hinged fire rated doorsets consist of a pressure moulded Glass Reinforced Polyester (GRP) doorleaf with a fire resisting core material, hung on a highly durable stainless steel frame. Designed for use in harsh environmental and operational conditions demanding strength combined with hygienic properties. Tested for fire rated applications up to 60 minutes fire resistance. Suitable for fitting to brick or block openings. Can also be fitted to insulated panels, partitioning systems and plasterboard walls.

Typical Applications:

- Hospitals and Animal Clinics
- Pharmaceuticals, Laboratories and Cleanrooms
- University Research Facilities
- Schools, Nurseries and Care Homes
- Spas, Swimming Pools and Leisure Centres
- Hotels, Restaurants and all Commercial Kitchens
- Supermarkets and all Food Preparation Areas
- Chemical and Electrical Industry and Warehouses
- Water Treatment and Agricultural Buildings



CE marking, certifications and approvals of LAMI doors
Read more on page 0.11 or contact us!

Download F/KRS Specifications: www.lamidoors.com



Editable
PDF File

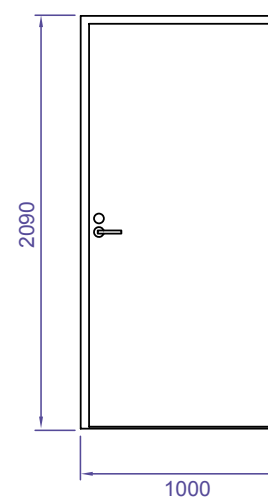


WORD File



TXT File

Door Ref. NO			
Handing Right			
Handing Left			
Handing Total			
Door Type	F/KRS / LAMI GRP DOORS / LAMI DOORS UK LTD.		
Structural Opening	Width (mm)	x Height (mm)	
Wall Thickness			
Wall Construction			
Colour - Doorleaf			
Colour - Frame			
Vision Panel	Size (mm)		
Threshold			
Kick Plate	Height (mm)	Side	Material
Bumper	Height (mm)	Side	Quantity
Edge Protection			
Centre Rebate			



IRONMONGERY

Latch + lever handles	
Sashlock + lever handles	
Deadlock	
Pull Handle	
Push Plate	
Closer	

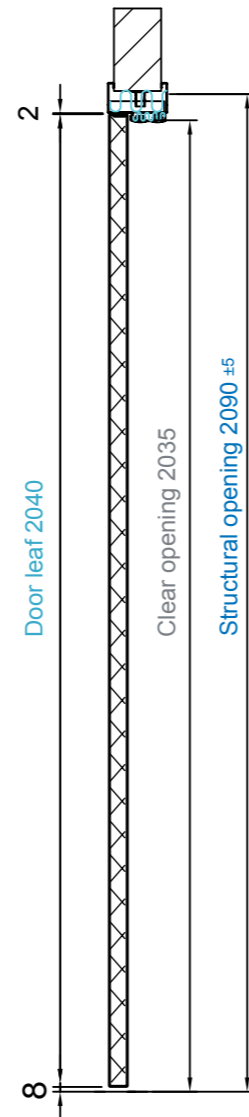
For a comprehensive list of all options and ironmongery please consult our technical department.

We are dedicated in providing the best possible service and technical support to our clients at all times.
Please find your nearest representative on www.lamidoors.com.

STANDARD SIZES

SPECIAL SIZES AVAILABLE

Door Type	Door leaf	Clear Opening	Structural Opening
Single Doors			
F/KRS 7	625x2040	601x2035	700x2090
F/KRS 8	725x2040	701x2035	800x2090
F/KRS 8/27	725x2640	701x2635	800x2690
F/KRS 9	825x2040	801x2035	900x2090
F/KRS 9/25	825x2440	801x2435	900x2490
F/KRS 9/27	825x2640	801x2635	900x2690
F/KRS 9 X	860x2040	836x2035	935x2090
F/KRS 10	925x2040	901x2035	1000x2090
F/KRS 10/25	925x2440	901x2435	1000x2490
F/KRS 10/27	925x2640	901x2635	1000x2690
F/KRS 11	1025x2040	1001x2035	1100x2090
F/KRS 11/25	1025x2440	1001x2435	1100x2490
F/KRS 12	1125x2040	1101x2035	1200x2090
F/KRS 12/25	1125x2440	1101x2435	1200x2490
F/KRS 13	1225x2040	1201x2035	1300x2090
F/KRS 13/28	1225x2700	1201x2695	1300x2750
Double Doors			
F/KRS 14 P	625+625x2040	1229x2035	1330x2090
F/KRS 16 P	725+725x2040	1429x2035	1530x2090
F/KRS 16/27 P	725+725x2640	1429x2635	1530x2690
F/KRS 18 P	825+825x2040	1629x2035	1730x2090
F/KRS 18/25 P	825+825x2440	1629x2435	1730x2490
F/KRS 18/27 P	825+825x2640	1629x2635	1730x2690
F/KRS 18 X P	860+860x2040	1699x2035	1800x2090
F/KRS 20 P	925+925x2040	1829x2035	1930x2090
F/KRS 20/25 P	925+925x2440	1829x2435	1930x2490
F/KRS 20/27 P	925+925x2640	1829x2635	1930x2690
F/KRS 22 P	1025+1025x2040	2029x2035	2130x2090
F/KRS 22/25 P	1025+1025x2440	2029x2435	2130x2490
F/KRS 24 P	1125+1125x2040	2229x2035	2330x2090
F/KRS 24/25 P	1125+1125x2440	2229x2435	2330x2490
F/KRS 26 P	1225+1225x2040	2429x2035	2530x2090
F/KRS 26/28 P	1225+1225x2700	2429x2695	2530x2750



Non-standard sizes also available. To produce a leaf and a half doorsets the door leaf sizes 295x2040, 395x2040 and 495x2040 are also available.

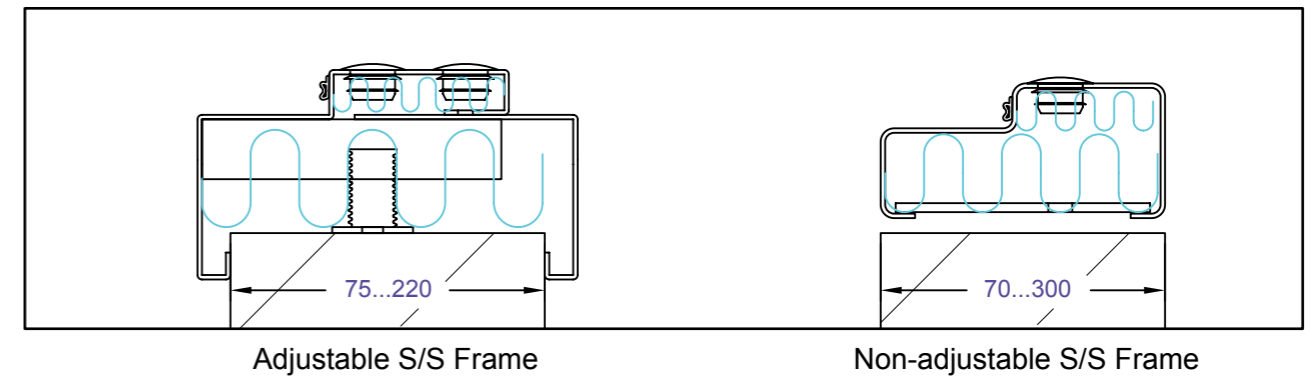
TECHNICAL DETAILS

DOOR LEAF

- 40 mm thick pressure moulded Glass Reinforced Polyester doorblade. Seamless with no lippings or laminations. Waterproof and durable.
- Fire resisting core material. Free of timber or other organic materials and steel. Integral intumescent fire seal in the doorleaf edge.
- Fire resistance up to 60 minutes, water absorption 0 %

FRAME

- Adjustable wrap around frame for wall thickness from 75 to 220 mm or non-adjustable stainless steel frame for wall thickness from 70 to 300 mm. Welded and polished corner joints. Cold smoke seal in the frame. Material thickness 1.5 mm.
- Other frame depths and profiles available on request.

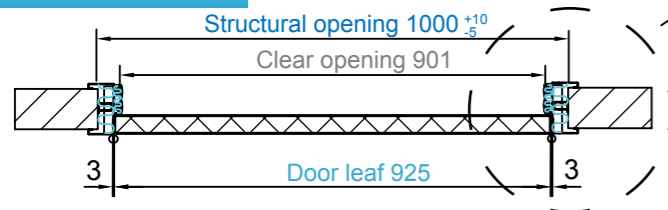


F/KRS STANDARD OPTIONS AND ACCESSORIES

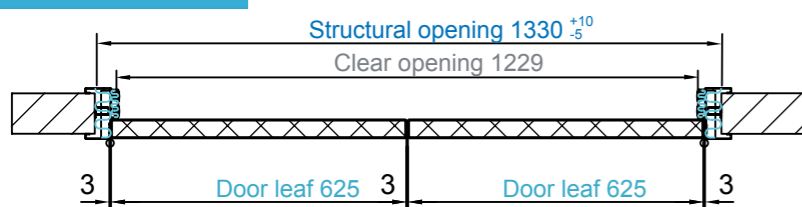
DOORLEAF COLOUR	RAL 9016 white or other standard colour; see section 0.05 (1600 No. colours available to special order)
FRAME COLOUR	Brushed finish stainless steel (304), acid proof stainless steel (316) or powder coated steel
HINGES	Corrosion and acid proof stainless steel lift-off hinges 120x34
IRONMONGERY	Client specified ironmongery or selection from our standard range
SEALS	Cold smoke silicon seal in the frame and flush fitted intumescent seal in the door leaf edge
DOUBLE DOORS	Acid proof stainless steel bolt Stainless steel centre rebate with rubber seal

LAMI GRP door set is a 'design' product; please add & specify your choice of vision panels, threshold, ironmongery etc. See guidance in "ACCESSORIES & MORE".

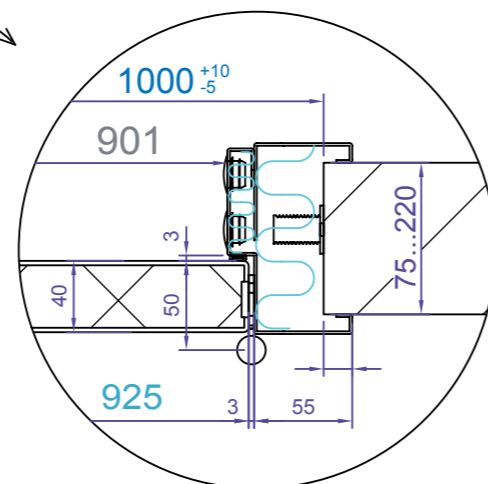
F/KRS 10



F/KRS 14 P



Mineral wool or non-combustible material to be installed between frame and wall





- SEAMLESS STRUCTURE
- CHEMICAL RESISTANCE
- HYGIENIC
- WATERPROOF
- CORROSION PROOF
- LIGHT WEIGHT
- SAFE TO USE
- LONG LIFE EXPECTANCY
- YOUR OWN DESIGN

The dB25/KAS single action hinged doorset consists of a pressure moulded Glass Reinforced Polyester (GRP) doorleaf with a sound absorbing core material hung on an adjustable aluminium frame. Designed for non-fire rated applications where noise transmission needs to be minimised. Suitable for fitting to brick or block openings. Can also be fitted to insulated panels, partitioning systems and plasterboard walls.

Typical Applications:

- Hospitals and Animal Clinics
- Pharmaceuticals, Laboratories and Cleanrooms
- University Research Facilities
- Schools, Nurseries and Care Homes
- Spas, Swimming Pools and Leisure Centres
- Hotels, Restaurants and all Commercial Kitchens
- Supermarkets and all Food Preparation Areas
- Chemical and Electrical Industry and Warehouses
- Water Treatment and Agricultural Buildings



CE marking, certifications and approvals of LAMI doors
Read more on page 0.11 or contact us!

Download dB25/KAS Specifications: www.lamidoors.com



Editable
PDF File

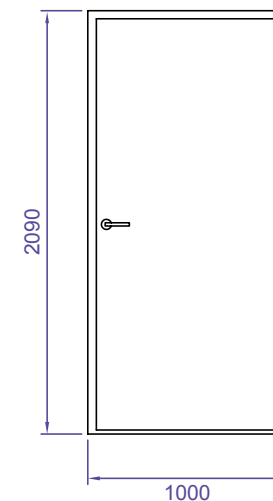


WORD File



TXT File

Door Ref. NO	
Handing Right	
Handing Left	
Handing Total	
Door Type	dB25/KAS / LAMI GRP DOORS / LAMI DOORS UK LTD.
Structural Opening	Width (mm) x Height (mm)
Wall Thickness	
Wall Construction	
Colour - Doorleaf	
Colour - Frame	
Vision Panel	Size (mm)
Threshold	
Kick Plate	Height (mm) Side Material
Bumper	Height (mm) Side Quantity
Edge Protection	
Centre Rebate	



IRONMONGERY

Latch + lever handles	
Sashlock + lever handles	
Deadlock	
Pull Handle	
Push Plate	
Closer	

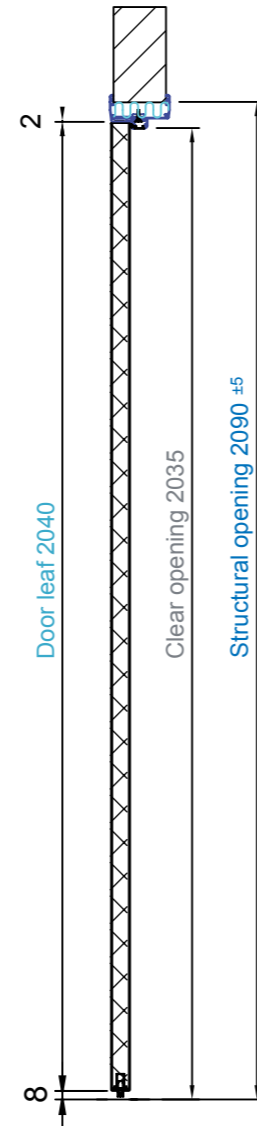
For a comprehensive list of all options and ironmongery please consult our technical department.

We are dedicated in providing the best possible service and technical support to our clients at all times.
Please find your nearest representative on www.lamidoors.com.

STANDARD SIZES

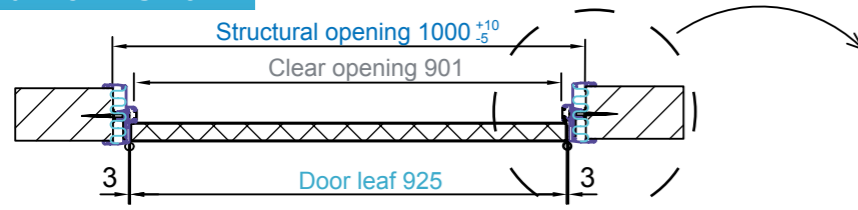
SPECIAL SIZES AVAILABLE

Door Type	Doorleaf	Clear Opening	Structural Opening
Single Doors			
dB25/KAS 7	625x2040	601x2035	700x2090
dB25/KAS 8	725x2040	701x2035	800x2090
dB25/KAS 8/27	725x2640	701x2635	800x2690
dB25/KAS 9	825x2040	801x2035	900x2090
dB25/KAS 9/25	825x2440	801x2435	900x2490
dB25/KAS 9/27	825x2640	801x2635	900x2690
dB25/KAS 9 X	860x2040	836x2035	935x2090
dB25/KAS 10	925x2040	901x2035	1000x2090
dB25/KAS 10/25	925x2440	901x2435	1000x2490
dB25/KAS 10/27	925x2640	901x2635	1000x2690
dB25/KAS 11	1025x2040	1001x2035	1100x2090
dB25/KAS 11/25	1025x2440	1001x2435	1100x2490
dB25/KAS 12	1125x2040	1101x2035	1200x2090
dB25/KAS 12/25	1125x2440	1101x2435	1200x2490
dB25/KAS 13	1225x2040	1201x2035	1300x2090
dB25/KAS 13/28	1225x2700	1201x2695	1300x2750
Double Doors			
dB25/KAS 14 P	625+625x2040	1229x2035	1330x2090
dB25/KAS 16 P	725+725x2040	1429x2035	1530x2090
dB25/KAS 16/27P	725+725x2640	1429x2635	1530x2690
dB25/KAS 18 P	825+825x2040	1629x2035	1730x2090
dB25/KAS 18/25P	825+825x2440	1629x2435	1730x2490
dB25/KAS 18/27P	825+825x2640	1629x2635	1730x2690
dB25/KAS 18 X P	860+860x2040	1699x2035	1800x2090
dB25/KAS 20 P	925+925x2040	1829x2035	1930x2090
dB25/KAS 20/25P	925+925x2440	1829x2435	1930x2490
dB25/KAS 20/27P	925+925x2640	1829x2635	1930x2690
dB25/KAS 22 P	1025+1025x2040	2029x2035	2130x2090
dB25/KAS 22/25P	1025+1025x2440	2029x2435	2130x2490
dB25/KAS 24 P	1125+1125x2040	2229x2035	2330x2090
dB25/KAS 24/25P	1125+1125x2440	2229x2435	2330x2490
dB25/KAS 26 P	1225+1225x2040	2429x2035	2530x2090
dB25/KAS 26/28P	1225+1225x2700	2429x2695	2530x2750

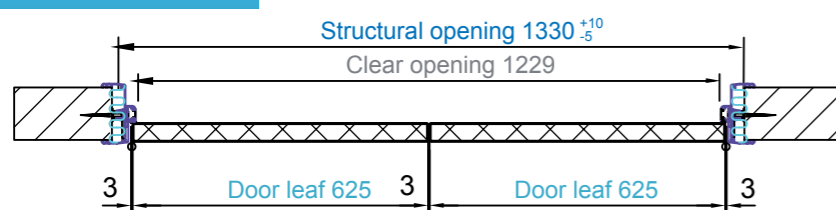


Non-standard sizes also available. To produce a leaf and a half doorsets the door leaf sizes 295x2040, 395x2040 and 495x2040 are also available. LAMI electric cable consoles shown in part 'Other Products'.

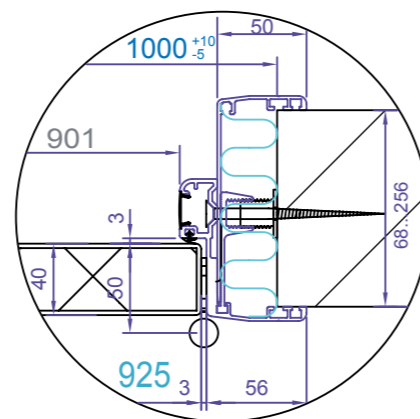
dB25/KAS 10



dB25/KAS 14 P



Mineral wool to be installed between frame and wall



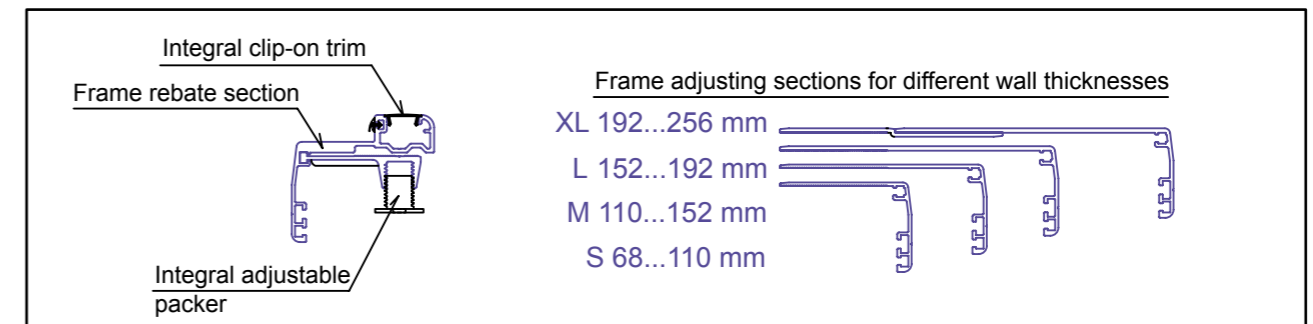
TECHNICAL DETAILS

DOOR LEAF

- 40 mm thick pressure moulded Glass Reinforced Polyester doorblade. Seamless with no lippings or laminations. Waterproof and durable.
- Sound absorbing acoustic core material. Free of timber or other organic materials.
- Sound reduction index $R_w = 29$ dB, water absorption 0 %.

FRAME

- Adjustable aluminium frame for wall thickness from 68 to 256 mm, integral adjustable packers at fixing points to ease the installation.
- Integral white clip-on trim fully concealing the frame fixings.



All frame sections are protected by registration of design

dB25/KAS STANDARD OPTIONS AND ACCESSORIES

DOORLEAF COLOUR	RAL 9016 white or other standard colour; see section 0.05 (1600 No. colours available to special order)
FRAME COLOUR	White powder coated aluminium or anodised aluminium (Other colour options to special order)
HINGES	Corrosion and acid proof stainless steel lift-off hinges 120x34
IRONMONGERY	Client specified ironmongery or selection from our standard range
SEALS	Integral silicon seal in the frame
THRESHOLD SEAL	Automatic threshold seal dB30/F30
DOUBLE DOORS	Flush bolts Roca 849 in leading edge Aluminium centre rebate with rubber seal

LAMI GRP door set is a 'design' product; please add & specify your choice of vision panels, threshold, ironmongery etc. See guidance in "ACCESSORIES & MORE".



- SEAMLESS STRUCTURE
- CHEMICAL RESISTANCE
- HYGIENIC
- WATERPROOF
- CORROSION PROOF
- LIGHT WEIGHT
- SAFE TO USE
- LONG LIFE EXPECTANCY
- YOUR OWN DESIGN

The dB30/KMS single action hinged doorset consists of a pressure moulded Glass Reinforced Polyester (GRP) doorleaf with a sound absorbing core material hung on a GRP frame. Designed for non-fire rated applications where noise transmission needs to be minimised. Suitable for fitting to brick or block openings. Can also be fitted to insulated panels, partitioning systems and plasterboard walls.

Typical Applications:

- Hospitals and Animal Clinics
- Pharmaceuticals, Laboratories and Cleanrooms
- University Research Facilities
- Schools, Nurseries and Care Homes
- Spas, Swimming Pools and Leisure Centres
- Hotels, Restaurants and all Commercial Kitchens
- Supermarkets and all Food Preparation Areas
- Chemical and Electrical Industry and Warehouses
- Water Treatment and Agricultural Buildings



CE marking, certifications and approvals of LAMI doors
Read more on page 0.11 or contact us!

Download dB30/KMS Specifications: www.lamidoors.com



Editable
PDF File

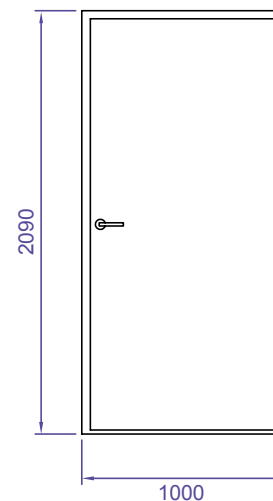


WORD File



TXT File

Door Ref. NO			
Handing Right			
Handing Left			
Handing Total			
Door Type	dB30/KMS / LAMI GRP DOORS / LAMI DOORS UK LTD.		
Structural Opening	Width (mm)	x Height (mm)	
Wall Thickness			
Wall Construction			
Colour - Doorleaf			
Colour - Frame			
Vision Panel	Size (mm)		
Threshold			
Kick Plate	Height (mm)	Side	Material
Bumper	Height (mm)	Side	Quantity
Edge Protection			
Centre Rebate			



IRONMONGERY

Latch + lever handles	
Sashlock + lever handles	
Deadlock	
Pull Handle	
Push Plate	
Closer	

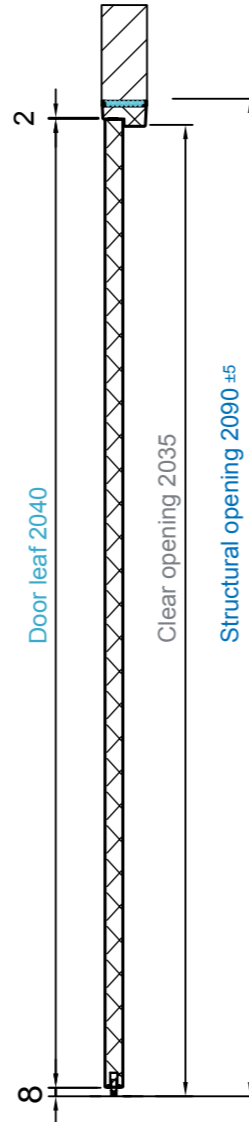
For a comprehensive list of all options and ironmongery please consult our technical department.

We are dedicated in providing the best possible service and technical support to our clients at all times.
Please find your nearest representative on www.lamidoors.com.

STANDARD SIZES

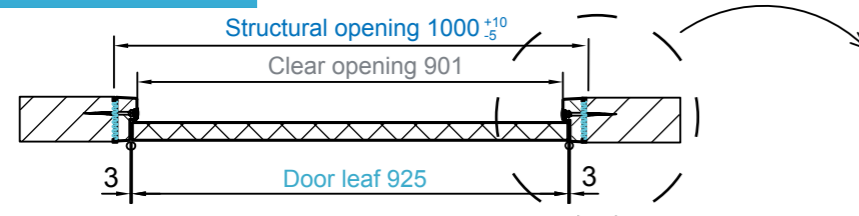
SPECIAL SIZES AVAILABLE

Door Type	Doorleaf	Clear Opening	Structural Opening
Single Doors			
dB30/KMS 7	625x2040	601x2035	700 ⁺¹⁰ ₋₅ x2090 ^{±5}
dB30/KMS 8	725x2040	701x2035	800x2090
dB30/KMS 8/27	725x2640	701x2635	800x2690
dB30/KMS 9	825x2040	801x2035	900x2090
dB30/KMS 9/25	825x2440	801x2435	900x2490
dB30/KMS 9/27	825x2640	801x2635	900x2690
dB30/KMS 9 X	860x2040	836x2035	935x2090
dB30/KMS 10	925x2040	901x2035	1000x2090
dB30/KMS 10/25	925x2440	901x2435	1000x2490
dB30/KMS 10/27	925x2640	901x2635	1000x2690
dB30/KMS 11	1025x2040	1001x2035	1100x2090
dB30/KMS 11/25	1025x2440	1001x2435	1100x2490
dB30/KMS 12	1125x2040	1101x2035	1200x2090
dB30/KMS 12/25	1125x2440	1101x2435	1200x2490
dB30/KMS 13	1225x2040	1201x2035	1300x2090
dB30/KMS 13/28	1225x2700	1201x2695	1300x2750
Double Doors			
dB30/KMS 14 P	625+625x2040	1229x2035	1330x2090
dB30/KMS 16 P	725+725x2040	1429x2035	1530x2090
dB30/KMS 16/27P	725+725x2640	1429x2635	1530x2690
dB30/KMS 18 P	825+825x2040	1629x2035	1730x2090
dB30/KMS 18/25P	825+825x2440	1629x2435	1730x2490
dB30/KMS 18/27P	825+825x2640	1629x2635	1730x2690
dB30/KMS 18 X P	860+860x2040	1699x2035	1800x2090
dB30/KMS 20 P	925+925x2040	1829x2035	1930x2090
dB30/KMS 20/25P	925+925x2440	1829x2435	1930x2490
dB30/KMS 20/27P	925+925x2640	1829x2635	1930x2690
dB30/KMS 22 P	1025+1025x2040	2029x2035	2130x2090
dB30/KMS 22/25P	1025+1025x2440	2029x2435	2130x2490
dB30/KMS 24 P	1125+1125x2040	2229x2035	2330x2090
dB30/KMS 24/25P	1125+1125x2440	2229x2435	2330x2490
dB30/KMS 26 P	1225+1225x2040	2429x2035	2530x2090
dB30/KMS 26/28P	1225+1225x2700	2429x2695	2530x2750

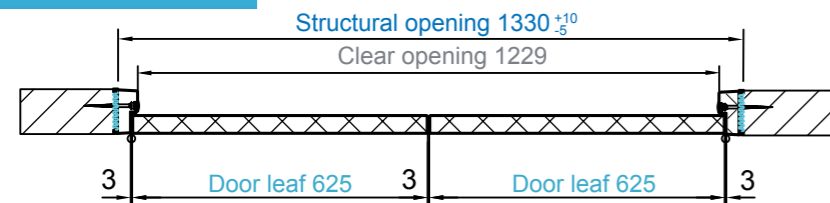


Non-standard sizes also available. To produce a leaf and a half doorsets the door leaf sizes 295x2040, 395x2040 and 495x2040 are also available. LAMI electric cable consoles shown in part 'Other Products'.

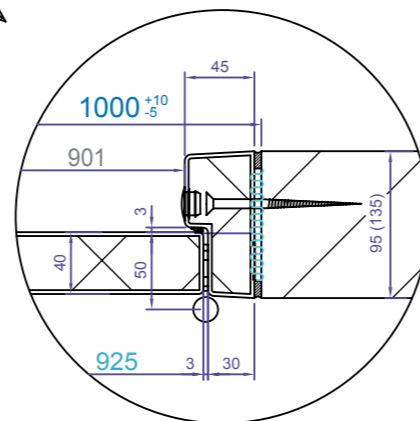
dB30/KMS 10



dB30/KMS 14 P



Mineral wool to be installed between frame and wall



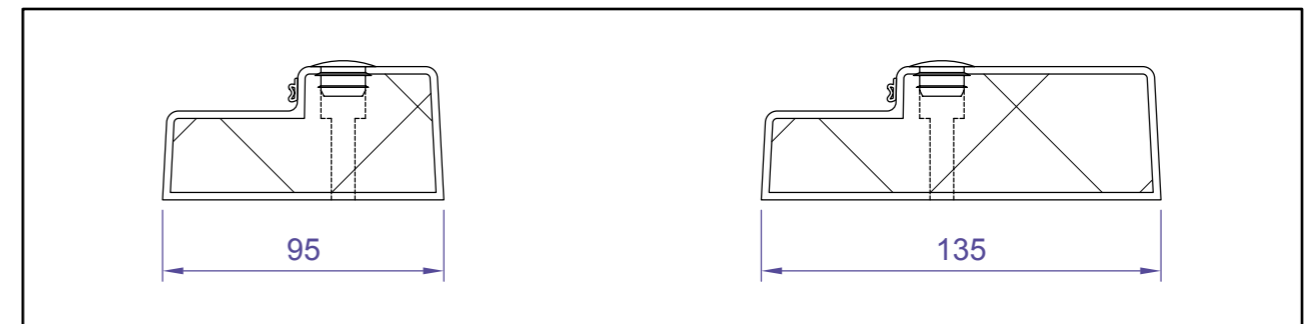
TECHNICAL DETAILS

DOOR LEAF

- 40 mm thick pressure moulded Glass Reinforced Polyester doorblade. Seamless with no lippings or laminations. Waterproof and durable.
- Sound absorbing acoustic core material. Free of timber or other organic materials.
- Sound reduction index $R_w = 35$ dB, water absorption 0 %.

FRAME

- Pressure moulded GRP construction with internal reinforcement, factory prepared mitred corner joints, fitted hinges and pre-drilled fixing points.
- Choice of two frame depths 95 mm or 135 mm.



dB30/KMS STANDARD OPTIONS AND ACCESSORIES

DOORLEAF COLOUR	RAL 9016 white or other standard colour; see section 0.05 (1600 No. colours available to special order)
FRAME COLOUR	RAL 9016 white or other standard colour; see section 0.05 (1600 No. colours available to special order)
HINGES	Corrosion and acid proof stainless steel lift-off hinges LAMI 110x34
IRONMONGERY	Client specified ironmongery or selection from our standard range
SEALS	Silicon seal in the frame
THRESHOLD SEAL	Automatic threshold seal dB30/F30
DOUBLE DOORS	Flush bolts Roca 849 in leading edge Aluminium or stainless steel centre rebate with rubber seal

LAMI GRP door set is a 'design' product; please add & specify your choice of vision panels, threshold, ironmongery etc. See guidance in "ACCESSORIES & MORE".



- SEAMLESS STRUCTURE
- CHEMICAL RESISTANCE
- HYGIENIC
- WATERPROOF
- CORROSION PROOF
- LIGHT WEIGHT
- SAFE TO USE
- LONG LIFE EXPECTANCY
- YOUR OWN DESIGN

The RTG/KMS single action hinged X-Ray protective doorset consists of a pressure moulded Glass Reinforced Polyester (GRP) doorleaf with a X-Ray resistant lining to the user defined lead rate, hung on a GRP frame with an equal lead rate. Suitable for fitting to brick or block openings. Can also be fitted to insulated panels, partitioning systems and plasterboard walls.

Key Features

- Radiation protection to the user defined lead rate (up to 4 mm)
- Non-porous, waterproof, seamless structure, even at the doorleaf edges
- Void of all organic material and steel eliminating the risk of rot, rust or distortion
- Exceptionally lightweight and strong, making the door safe and easy to use

Typical Applications

- Designed for use in areas primarily requiring the containment of radiation emissions
- Medical: Radiation Departments, X-Ray Rooms, Dental Surgeries, Laboratories
- Research-Industrial: Laboratories, Production Areas, Cleanrooms
- Educational: University Laboratories and Research Facilities



Certifications and approvals of LAMI doors
Read more on page 0.11 or contact us!

lamidoors@lamidoors.com
www.lamidoors.com

Download RTG/KMS Specifications: www.lamidoors.com



Editable
PDF File

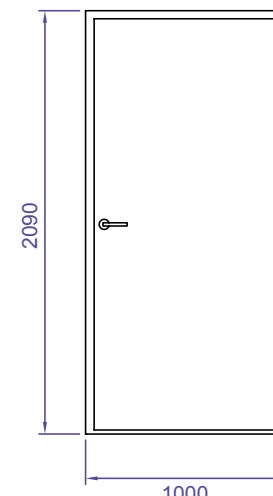


WORD File



TXT File

Door Ref. NO			
Handing Right			
Handing Left			
Handing Total			
Door Type	RTG/KMS / LAMI GRP DOORS / LAMI DOORS UK LTD.		
Structural Opening	Width (mm)	x Height (mm)	
Wall Thickness			
Wall Construction			
Colour - Doorleaf			
Colour - Frame			
Vision Panel	Size (mm)		
Threshold			
Kick Plate	Height (mm)	Side	Material
Bumper	Height (mm)	Side	Quantity
Edge Protection			
Centre Rebate			

	IRONMONGERY	
	Latch + lever handles	
	Sashlock + lever handles	
	Deadlock	
	Pull Handle	
	Push Plate	
	Closer	
	For a comprehensive list of all options and ironmongery please consult our technical department.	

We are dedicated in providing the best possible service and technical support to our clients at all times.
Please find your nearest representative on www.lamidoors.com.

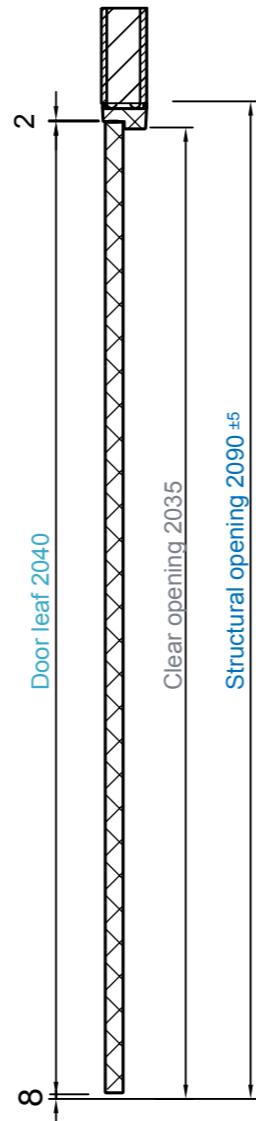
Tel: +44 161 924 2217
lamidoors@lamidoors.com
www.lamidoors.com

STANDARD SIZES

SPECIAL SIZES AVAILABLE

TECHNICAL DETAILS

Door Type	Doorleaf	Clear Opening	Structural Opening
Single Doors			
RTG/KMS 7	625x2040	601x2035	700x2090
RTG/KMS 8	725x2040	701x2035	800x2090
RTG/KMS 8/27	725x2640	701x2635	800x2690
RTG/KMS 9	825x2040	801x2035	900x2090
RTG/KMS 9/25	825x2440	801x2435	900x2490
RTG/KMS 9/27	825x2640	801x2635	900x2690
RTG/KMS 9 X	860x2040	836x2035	935x2090
RTG/KMS 10	925x2040	901x2035	1000x2090
RTG/KMS 10/25	925x2440	901x2435	1000x2490
RTG/KMS 10/27	925x2640	901x2635	1000x2690
RTG/KMS 11	1025x2040	1001x2035	1100x2090
RTG/KMS 11/25	1025x2440	1001x2435	1100x2490
RTG/KMS 12	1125x2040	1101x2035	1200x2090
RTG/KMS 12/25	1125x2440	1101x2435	1200x2490
RTG/KMS 13	1225x2040	1201x2035	1300x2090
RTG/KMS 13/28	1225x2700	1201x2695	1300x2750
Double Doors			
RTG/KMS 14 P	625+625x2040	1229x2035	1330x2090
RTG/KMS 16 P	725+725x2040	1429x2035	1530x2090
RTG/KMS 16/27P	725+725x2640	1429x2635	1530x2690
RTG/KMS 18 P	825+825x2040	1629x2035	1730x2090
RTG/KMS 18/25P	825+825x2440	1629x2435	1730x2490
RTG/KMS 18/27P	825+825x2640	1629x2635	1730x2690
RTG/KMS 18 X P	860+860x2040	1699x2035	1800x2090
RTG/KMS 20 P	925+925x2040	1829x2035	1930x2090
RTG/KMS 20/25P	925+925x2440	1829x2435	1930x2490
RTG/KMS 20/27P	925+925x2640	1829x2635	1930x2690
RTG/KMS 22 P	1025+1025x2040	2029x2035	2130x2090
RTG/KMS 22/25P	1025+1025x2440	2029x2435	2130x2490
RTG/KMS 24 P	1125+1125x2040	2229x2035	2330x2090
RTG/KMS 24/25P	1125+1125x2440	2229x2435	2330x2490
RTG/KMS 26 P	1225+1225x2040	2429x2035	2530x2090
RTG/KMS 26/28P	1225+1225x2700	2429x2695	2530x2750

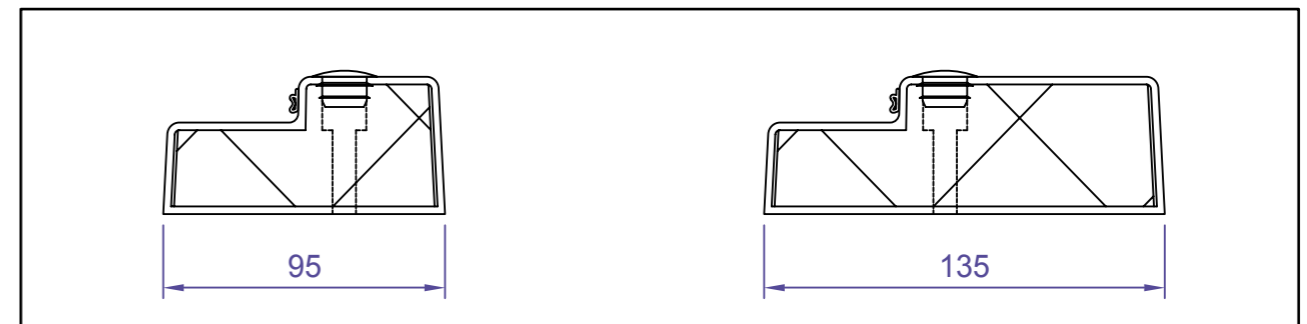


DOOR LEAF

- 40 mm thick pressure moulded Glass Reinforced Polyester doorblade. Seamless with no lippings or laminations. Waterproof and lightweight.
- Radiation protection to the user defined lead rate (up to 4 mm) Free of timber or other organic materials.
- Sound insulation approx. 28 dB, water absorption 0 %.

FRAME

- Pressure moulded GRP frame with lead lining to match the doorleaf in appearance and performance, mitred corner joints, fitted hinges and pre-drilled fixing points.
- Choice of two frame depths 95 mm or 135 mm.



Non-standard sizes also available. To produce a leaf and a half doorsets the door leaf sizes 295x2040, 395x2040 and 495x2040 are also available.

RTG/KMS STANDARD OPTIONS AND ACCESSORIES

DOORLEAF COLOUR

RAL 9016 white or other standard colour; see section 0.05 (1600 No. colours available to special order)

FRAME COLOUR

RAL 9016 white or other standard colour; see section 0.05 (1600 No. colours available to special order)

HINGES

Corrosion and acid proof stainless steel lift-off hinges LAMI 110x34

IRONMONGERY

Client specified ironmongery or selection from our standard range

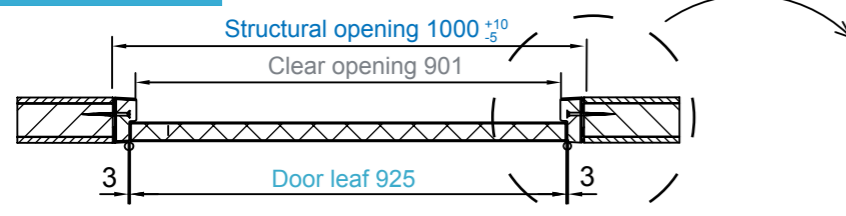
SEALS

Silicon seal in the frame

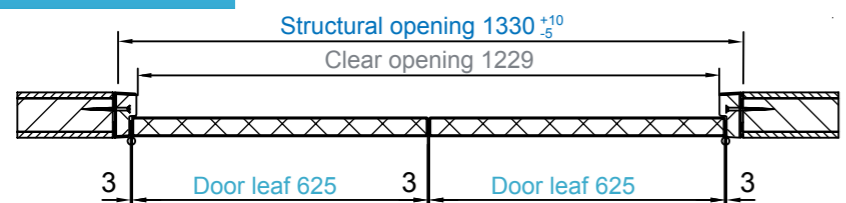
DOUBLE DOORS

Flush bolts Roca 849 in leading edge
Stainless steel centre rebate with rubber seal and lead protection

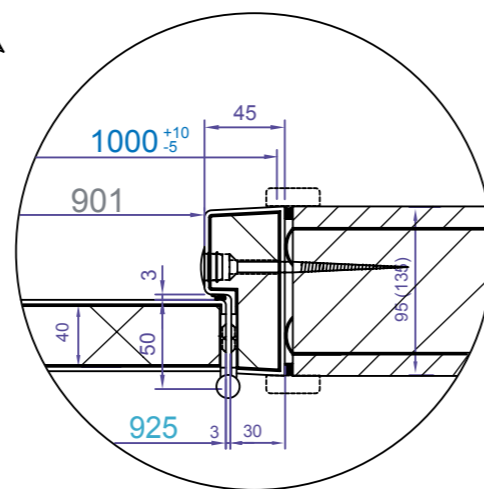
RTG/KMS 10



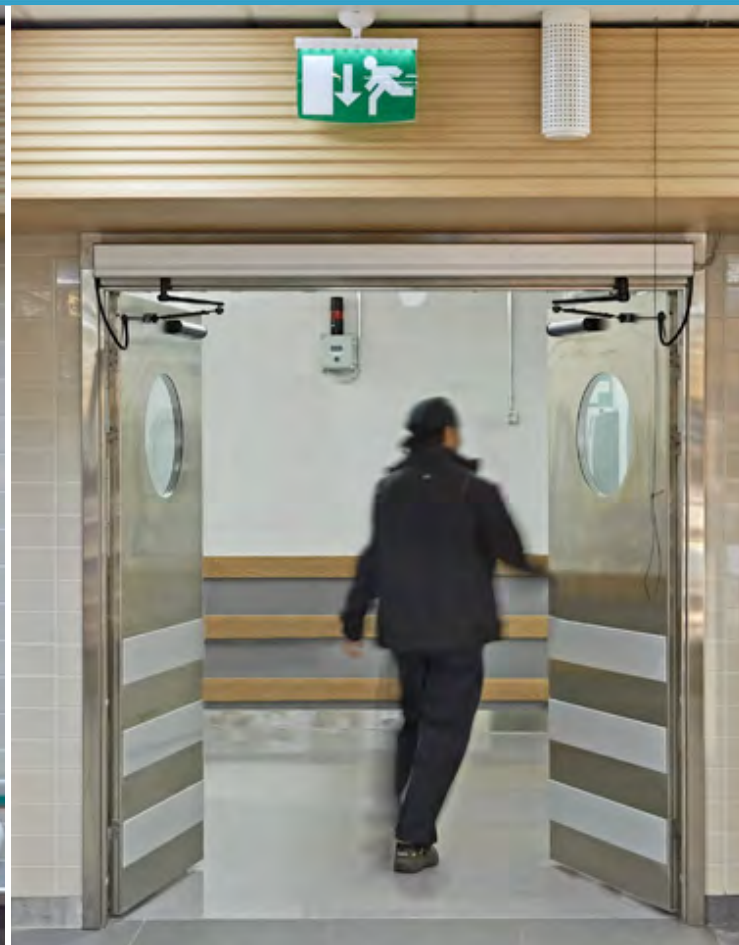
RTG/KMS 14 P



The lead lining of the wall to be continued to the back of the frame



LAMI GRP door set is a 'design' product; please add & specify your choice of vision panels, threshold, ironmongery etc. See guidance in "ACCESSORIES & MORE".



- SEAMLESS STRUCTURE
- CHEMICAL RESISTANCE
- HYGIENIC
- WATERPROOF
- CORROSION PROOF
- LIGHT WEIGHT
- SAFE TO USE
- LONG LIFE EXPECTANCY
- YOUR OWN DESIGN

The KSR stainless steel covered and framed doorsets are suitable for applications where the doors have to be water and moisture proof, durable, hygiene, lightweight and serviceable. There is a traditional pressure moulded, seamless LAMI GRP door leaf inside the steel cover. The 304/316 grade steel covered LAMI door is an excellent choice in applications where you want to have the appearance of steel.

Typical Applications:

- Hospitals and Animal Clinics
- Pharmaceuticals, Laboratories and Cleanrooms
- University Research Facilities
- Schools, Nurseries and Care Homes
- Spas, Swimming Pools and Leisure Centres
- Hotels, Restaurants and all Commercial Kitchens
- Supermarkets and all Food Preparation Areas
- Chemical and Electrical Industry and Warehouses
- Water Treatment and Agricultural Buildings

Certifications and approvals of LAMI doors
Read more on page 0.11 or contact us!



Download KRS S/S Covered Doors Specifications: www.lamidoors.com



Editable
PDF File

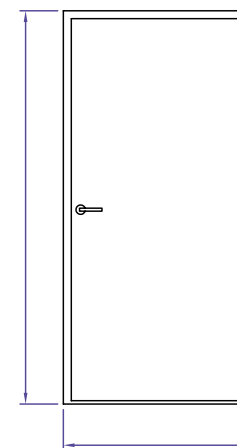


WORD File



TXT File

Door Ref. NO			
Handing Right			
Handing Left			
Handing Total			
Door Type	KSR S/S covered doors / LAMI GRP DOORS / LAMI DOORS UK LTD.		
Structural Opening	Width (mm)	x Height (mm)	
Wall Thickness			
Wall Construction			
Colour - Doorleaf			
Colour - Frame			
Vision Panel	Size (mm)		
Threshold			
Kick Plate	Height (mm)	Side	Material
Bumper	Height (mm)	Side	Quantity
Edge Protection			
Centre Rebate			



IRONMONGERY

Latch + lever handles

Sashlock + lever handles

Deadlock

Pull Handle

Push Plate

Closer

For a comprehensive list of all options and ironmongery please consult our technical department.

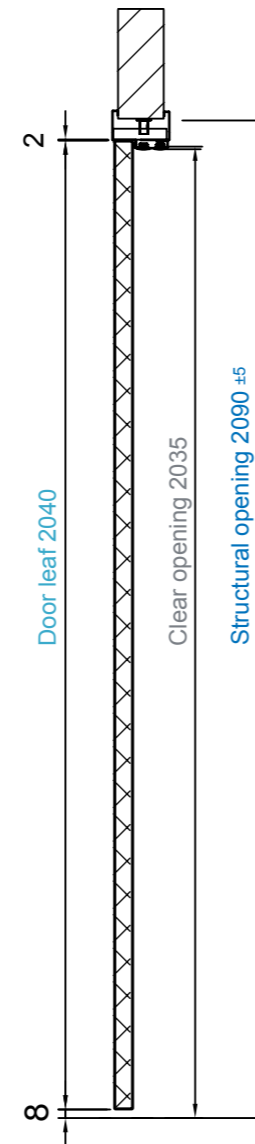
We are dedicated in providing the best possible service and technical support to our clients at all times.
Please find your nearest representative on www.lamidoors.com.

STANDARD SIZES

SPECIAL SIZES AVAILABLE

TECHNICAL DETAILS

Door Type	Doorleaf	Clear Opening	Structural Opening
Single Doors			
KSR 7	625x2040	601x2035	700x2090
KSR 8	725x2040	701x2035	800x2090
KSR 8/27	725x2640	701x2635	800x2690
KSR 9	825x2040	801x2035	900x2090
KSR 9/25	825x2440	801x2435	900x2490
KSR 9/27	825x2640	801x2635	900x2690
KSR 9 X	860x2040	836x2035	935x2090
KSR 10	925x2040	901x2035	1000x2090
KSR 10/25	925x2440	901x2435	1000x2490
KSR 10/27	925x2640	901x2635	1000x2690
KSR 11	1025x2040	1001x2035	1100x2090
KSR 11/25	1025x2440	1001x2435	1100x2490
KSR 12	1125x2040	1101x2035	1200x2090
KSR 12/25	1125x2440	1101x2435	1200x2490
KSR 13	1225x2040	1201x2035	1300x2090
KSR 13/28	1225x2700	1201x2695	1300x2750
Double Doors			
KSR 14 P	625+625x2040	1229x2035	1330x2090
KSR 16 P	725+725x2040	1429x2035	1530x2090
KSR 16/27 P	725+725x2640	1429x2635	1530x2690
KSR 18 P	825+825x2040	1629x2035	1730x2090
KSR 18/25 P	825+825x2440	1629x2435	1730x2490
KSR 18/27 P	825+825x2640	1629x2635	1730x2690
KSR 18 X P	860+860x2040	1699x2035	1800x2090
KSR 20 P	925+925x2040	1829x2035	1930x2090
KSR 20/25 P	925+925x2440	1829x2435	1930x2490
KSR 20/27 P	925+925x2640	1829x2635	1930x2690
KSR 22 P	1025+1025x2040	2029x2035	2130x2090
KSR 22/25 P	1025+1025x2440	2029x2435	2130x2490
KSR 24 P	1125+1125x2040	2229x2035	2330x2090
KSR 24/25 P	1125+1125x2440	2229x2435	2330x2490
KSR 26 P	1225+1225x2040	2429x2035	2530x2090
KSR 26/28 P	1225+1225x2700	2429x2695	2530x2750

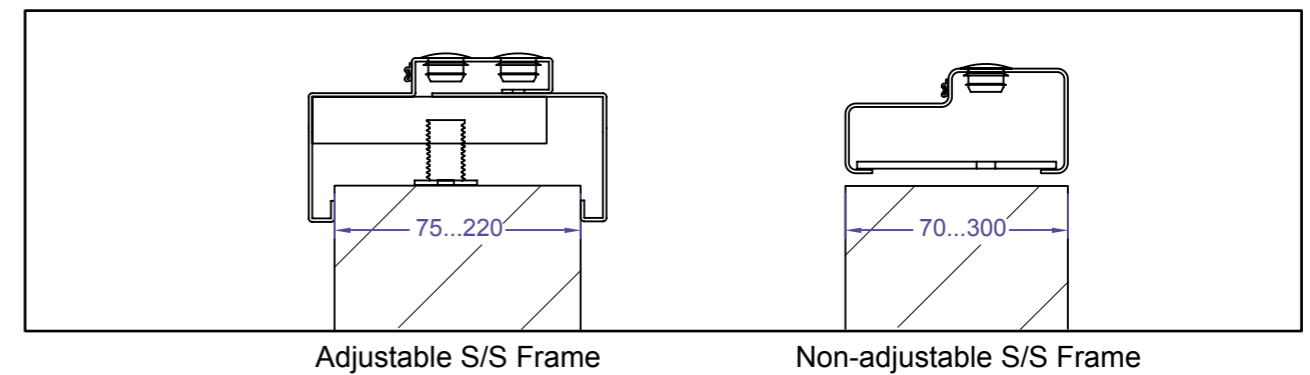


DOOR LEAF

- 40 mm thick pressure moulded Glass Reinforced Polyester doorblade. Seamless with no lippings or laminations. Waterproof and lightweight covered by 1 mm thick stainless steel (304) or acid proof stainless steel (316).
- HCFC-free PU rigid foam core material. Free of timber or other organic materials.
- Sound insulation approx. 26 dB, water absorption 0 %.

FRAME

- Adjustable wrap around frame for wall thickness from 75 to 220 mm or non-adjustable stainless steel frame for wall thickness from 70 to 300 mm. Welded and polished corner joints.
- Brushed finish stainless steel, material thickness 1.5 mm.
- Other frame depths and profiles available on request.

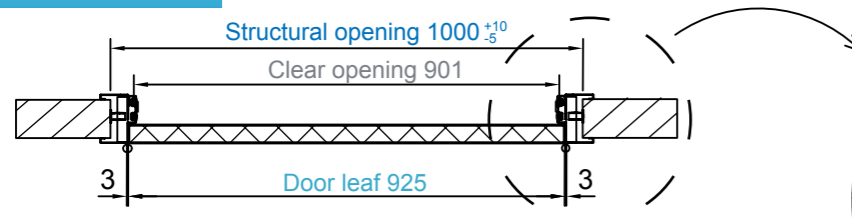


Non-standard sizes also available. To produce a leaf and a half doorsets the door leaf sizes 295x2040, 395x2040 and 495x2040 are also available. LAMI electric cable consoles on part 'Other Products'.

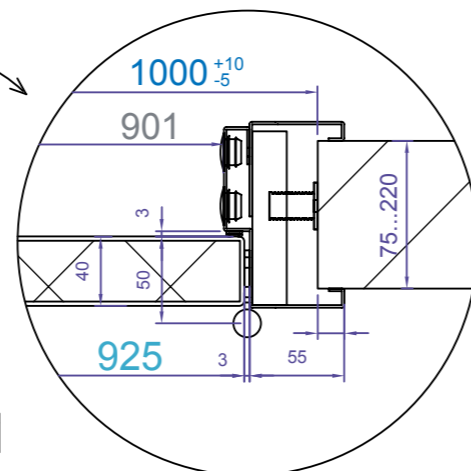
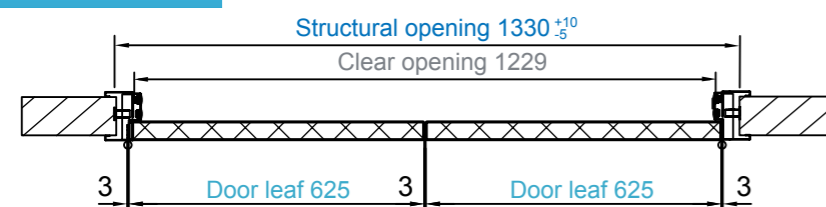
KSR S/S COVERED DOORS STANDARD OPTIONS AND ACCESSORIES

DOORLEAF COLOUR	Brushed finish stainless steel (304) or acid proof stainless steel (316)
FRAME COLOUR	Brushed finish stainless steel (304), acid proof stainless steel (316) or powder coated steel
HINGES	Corrosion and acid proof stainless steel lift-off hinges 120x34
IRONMONGERY	Client specified ironmongery or selection from our standard range
SEALS	Silicon seal in the frame
DOUBLE DOORS	Flush bolts Roca 849 in leading edge Stainless steel centre rebate with rubber seal

KSR 10



KSR 14 P



LAMI GRP door set is a 'design' product; please add & specify your choice of vision panels, threshold, ironmongery etc. See guidance in "ACCESSORIES & MORE".



* Customised KKH model

Download KKH Specifications: www.lamidoors.com



Editable
PDF File

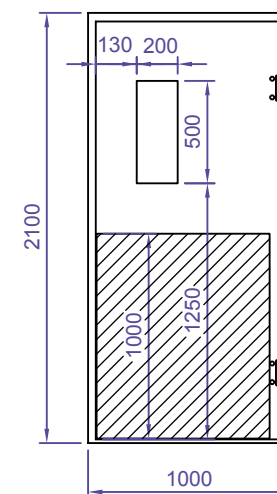


WORD File



TXT File

Door Ref. NO			
Handing Right			
Handing Left			
Handing Total			
Door Type	KKH / LAMI GRP DOORS / LAMI DOORS UK LTD.		
Structural Opening	Width (mm)	x Height (mm)	
Wall Thickness			
Wall Construction			
Colour - Doorleaf			
Colour - Frame			
Vision Panel	Size (mm)		
Threshold			
Kick Plate	Height (mm)	Side	Material
Bumper	Height (mm)	Side	Quantity
Edge Protection			
Centre Rebate			



IRONMONGERY

Latch + lever handles

Sashlock + lever handles

Deadlock

Pull Handle

Push Plate

For a comprehensive list of all options and ironmongery please consult our technical department.

We are dedicated in providing the best possible service and technical support to our clients at all times. Please find your nearest representative on www.lamidoors.com.

SEAMLESS
STRUCTURE

CHEMICAL
RESISTANCE

HYGIENIC

WATER PROOF

CORROSION
PROOF

LIGHT WEIGHT

SAFE TO USE

LONG LIFE
EXPECTANCY

YOUR OWN DESIGN

The KKH double action hinged personnel doorset consists of a polyurethane foam filled pressure moulded Glass Reinforced Polyester (GRP) doorleaf hung on a fully adjustable aluminium wrap around frame system. Designed for non-fire rated applications. Ideal for fitting to partitioning systems and plasterboard walls. Can also be fitted to brick or block openings.

Typical Applications:

- Hospitals and Animal Clinics
- Pharmaceuticals, Laboratories and Cleanrooms
- University Research Facilities
- Schools, Nurseries and Care Homes
- Spas, Swimming Pools and Leisure Centres
- Hotels, Restaurants and all Commercial Kitchens
- Supermarkets and all Food Preparation Areas
- Chemical and Electrical Industry and Warehouses
- Water Treatment and Agricultural Buildings



CE marking, certifications and approvals of LAMI doors
Read more on page 0.11 or contact us!

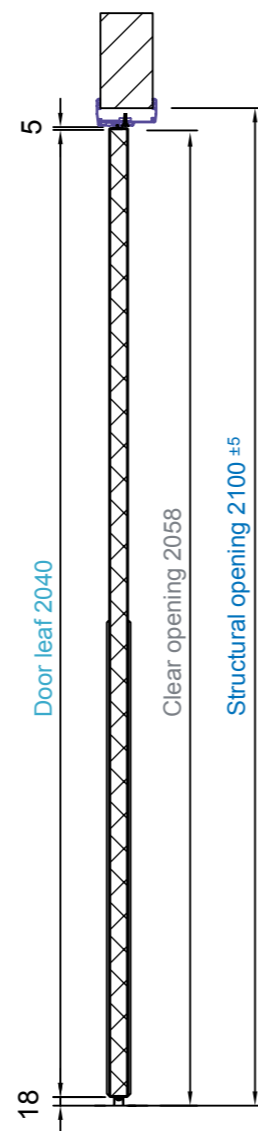
lamidoors@lamidoors.com
www.lamidoors.com

STANDARD SIZES

SPECIAL SIZES AVAILABLE

TECHNICAL DETAILS

Door Type	Doorleaf	Clear Opening	Structural Opening
Single Doors			
KKH 7	625x2040	575x2058	±10 ±5 700x2100
KKH 8	725x2040	675x2058	800x2100
KKH 8/27	725x2640	675x2658	800x2700
KKH 9	825x2040	775x2058	900x2100
KKH 9/25	825x2440	775x2458	900x2500
KKH 9/27	825x2640	775x2658	900x2700
KKH 9 X	860x2040	810x2058	935x2100
KKH 10	925x2040	875x2058	1000x2100
KKH 10/25	925x2440	875x2458	1000x2500
KKH 10/27	925x2640	875x2658	1000x2700
KKH 11	1025x2040	975x2058	1100x2100
KKH 11/25	1025x2440	975x2458	1100x2500
KKH 12	1125x2040	1075x2058	1200x2100
KKH 12/25	1125x2440	1075x2458	1200x2500
KKH 13	1225x2040	1175x2058	1300x2100
KKH 13/28	1225x2700	1175x2718	1300x2760
Double Doors			
KKH 14 P	625+625x2040	1153x2058	1330x2100
KKH 16 P	725+725x2040	1353x2058	1530x2100
KKH 16/27 P	725+725x2640	1353x2658	1530x2700
KKH 18 P	825+825x2040	1553x2058	1730x2100
KKH 18/25 P	825+825x2440	1553x2458	1730x2500
KKH 18/27 P	825+825x2640	1553x2658	1730x2700
KKH 18 X P	860+860x2040	1623x2058	1800x2100
KKH 20 P	925+925x2040	1753x2058	1930x2100
KKH 20/25 P	925+925x2440	1753x2458	1930x2500
KKH 20/27 P	925+925x2640	1753x2658	1930x2700
KKH 22 P	1025+1025x2040	1953x2058	2130x2100
KKH 22/25 P	1025+1025x2440	1953x2458	2130x2500
KKH 24 P	1125+1125x2040	2153x2058	2330x2100
KKH 24/25 P	1125+1125x2440	2153x2458	2330x2500
KKH 26 P	1225+1225x2040	2353x2058	2530x2100
KKH 26/28 P	1225+1225x2700	2353x2718	2530x2760

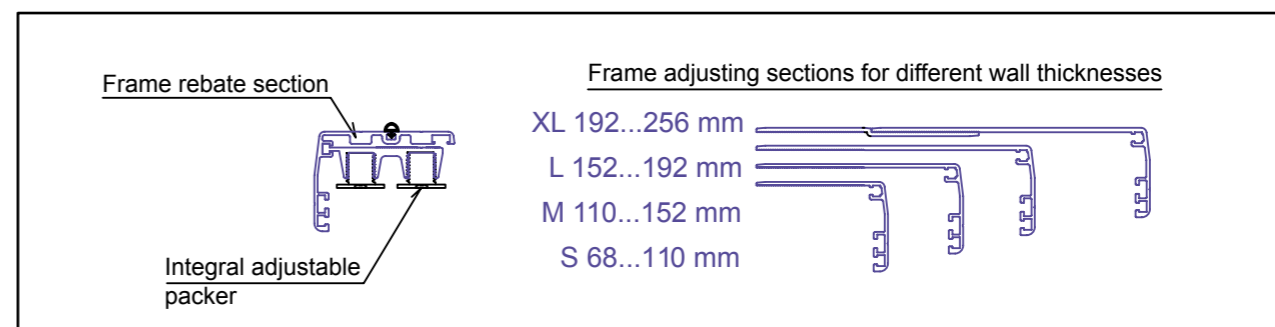


DOOR LEAF

- 40 mm thick pressure moulded Glass Reinforced Polyester doorblade. Seamless with no lippings or laminations. Waterproof and lightweight.
- HCFC-free PU rigid foam core material. Free of timber or other organic materials.
- Water absorption 0 %.

FRAME

- Adjustable aluminium frame for wall thickness from 68 to 256 mm. Integral adjustable packers at fixing points to ease the installation.
- Other frame options also available.



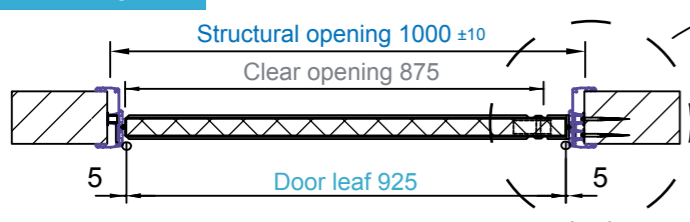
All frame sections are protected by registration of design

KKH STANDARD OPTIONS AND ACCESSORIES

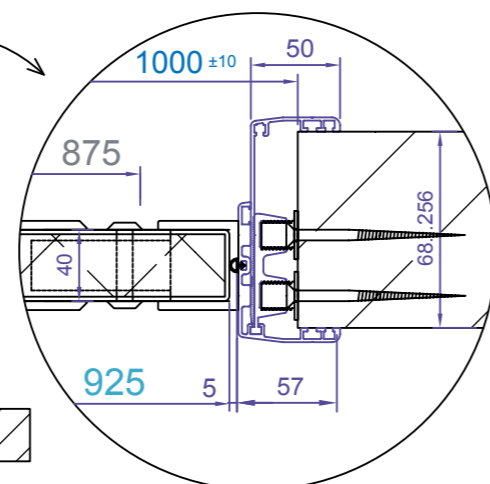
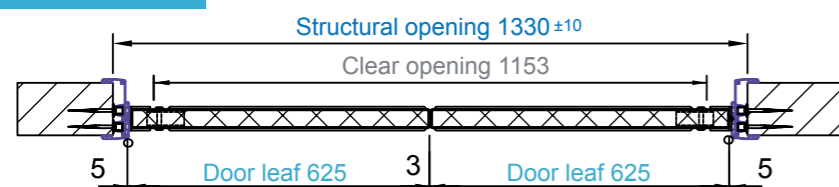
- DOORLEAF COLOUR** RAL 9016 white or other standard colour; see section 0.05 (1600 No. colours available to special order)
- FRAME COLOUR** White powder coated aluminium or anodised aluminium (Other colour options to special order)
- HINGES** Double swing LAMI hinges with hold open or non-hold open facility, stainless steel screws
- IRONMONGERY** Client specified ironmongery or selection from our standard range
- VISION PANEL** Size 200x500x6 mm laminated glass with PVC-gaskets
- FACE PROTECTION** RAL 7035 grey 4 mm thick smooth polyethylene, 1000 mm high both sides
- SEALS** Integral silicon seal in the frame
- WIPE SEAL** Double silicon seal fitted to the bottom of doorleaf

LAMI GRP door set is a 'design' product; please add & specify your choice of vision panels, threshold, ironmongery etc. See guidance in "ACCESSORIES & MORE".

KKH 10



KKH 14 P





Download KH Specifications: www.lamidoors.com



Editable
PDF File

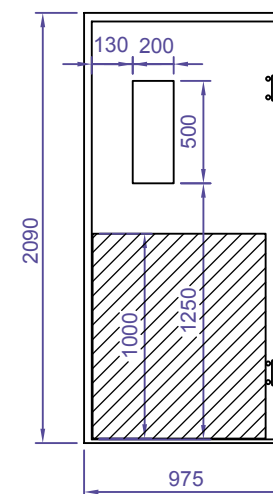


WORD File



TXT File

Door Ref. NO			
Handing Right			
Handing Left			
Handing Total			
Door Type	KH / LAMI GRP DOORS / LAMI DOORS UK LTD.		
Structural Opening	Width (mm)	x Height (mm)	
Wall Thickness			
Wall Construction			
Colour - Doorleaf			
Colour - Frame			
Vision Panel	Size (mm)		
Threshold			
Kick Plate	Height (mm)	Side	Material
Bumper	Height (mm)	Side	Quantity
Edge Protection			
Centre Rebate			



IRONMONGERY

Latch + lever handles

Sashlock + lever handles

Deadlock

Pull Handle

Push Plate

Closer

For a comprehensive list of all options and ironmongery please consult our technical department.

We are dedicated in providing the best possible service and technical support to our clients at all times. Please find your nearest representative on www.lamidoors.com.

SEAMLESS
STRUCTURE

CHEMICAL
RESISTANCE

HYGIENIC

WATER PROOF

CORROSION
PROOF

LIGHT WEIGHT

SAFE TO USE

LONG LIFE
EXPECTANCY

YOUR OWN DESIGN

The KH double action hinged personnel doorset consists of a polyurethane foam filled pressure moulded Glass Reinforced Polyester (GRP) doorleaf hung on an aluminium wrap around frame system. Designed especially for fitting to insulated panel wall systems used in cold rooms. Can also be fitted to partitioning systems and plasterboard walls. Does not require any subframe.

Typical Applications:

- Cold Rooms in Food Industry, Supermarkets, Restaurants and Commercial Kitchens
- Meat Preparation Premises
- Fish Preparation Premises
- Dairies and Bakeries
- Other Applications



CE marking, certifications and approvals of LAMI doors
Read more on page 0.11 or contact us!

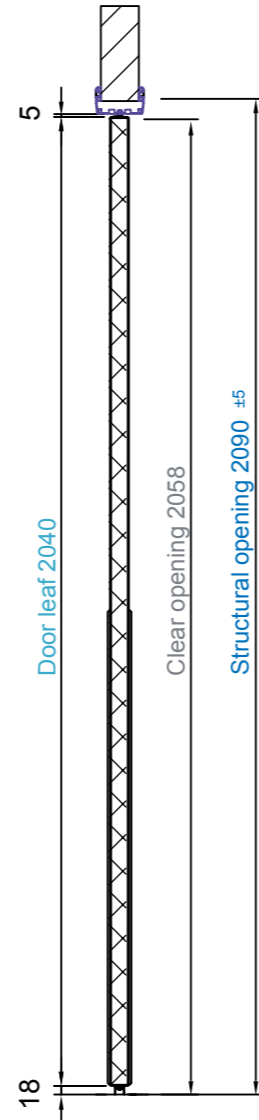
lamidoors@lamidoors.com
www.lamidoors.com

STANDARD SIZES

SPECIAL SIZES AVAILABLE

TECHNICAL DETAILS

Door Type	Doorleaf	Clear Opening	Structural Opening
Single Door			±10 ±5
KH 7	625x2040	575x2058	675x2090
KH 8	725x2040	675x2058	775x2090
KH 8/27	725x2640	675x2658	775x2690
KH 9	825x2040	775x2058	875x2090
KH 9/25	825x2440	775x2458	875x2490
KH 9/27	825x2640	775x2658	875x2690
KH 9 X	860x2040	810x2058	910x2090
KH 10	925x2040	875x2058	975x2090
KH 10/25	925x2440	875x2458	975x2490
KH 10/27	925x2640	875x2658	975x2690
KH 11	1025x2040	975x2058	1075x2090
KH 11/25	1025x2440	975x2458	1075x2490
KH 12	1125x2040	1075x2058	1175x2090
KH 12/25	1125x2440	1075x2458	1175x2490
KH 13	1225x2040	1175x2058	1275x2090
KH 13/28	1225x2700	1175x2718	1275x2750
Double Doors			
KH 14 P	625+625x2040	1153x2058	1305x2090
KH 16 P	725+725x2040	1353x2058	1505x2090
KH 16/27 P	725+725x2640	1353x2658	1505x2690
KH 18 P	825+825x2040	1553x2058	1705x2090
KH 18/25 P	825+825x2440	1553x2458	1705x2490
KH 18/27 P	825+825x2640	1553x2658	1705x2690
KH 18 X P	860+860x2040	1623x2058	1775x2090
KH 20 P	925+925x2040	1753x2058	1905x2090
KH 20/25 P	925+925x2440	1753x2458	1905x2490
KH 20/27 P	925+925x2640	1753x2658	1905x2690
KH 22 P	1025+1025x2040	1953x2058	2105x2090
KH 22/25 P	1025+1025x2440	1953x2458	2105x2490
KH 24 P	1125+1125x2040	2153x2058	2305x2090
KH 24/25 P	1125+1125x2440	2153x2458	2305x2490
KH 26 P	1225+1225x2040	2353x2058	2505x2090
KH 26/28 P	1225+1225x2700	2353x2718	2505x2750

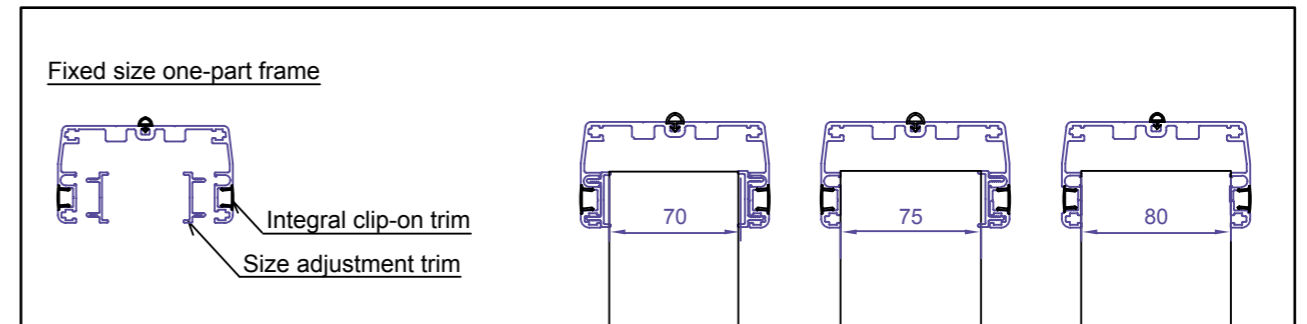


DOOR LEAF

- 40 mm thick pressure moulded Glass Reinforced Polyester doorblade. Seamless with no lippings or laminations. Waterproof and lightweight.
- HCFC-free PU rigid foam core material. Free of timber or other organic materials.
- Water absorption 0 %.

FRAME

- Fized size one-part aluminium frame for wall thickness 70, 75 and 80 mm



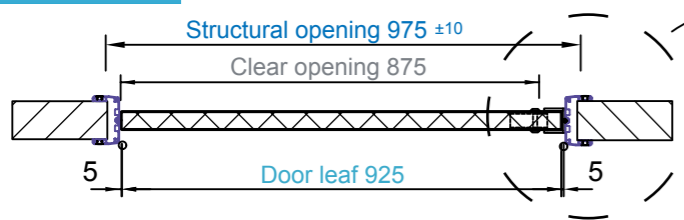
All frame sections are protected by registration of design

KH STANDARD OPTIONS AND ACCESSORIES

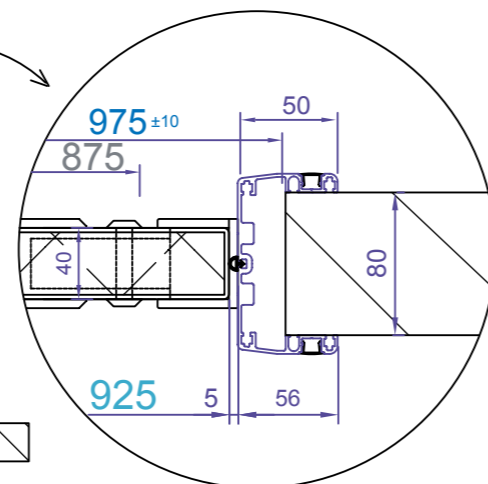
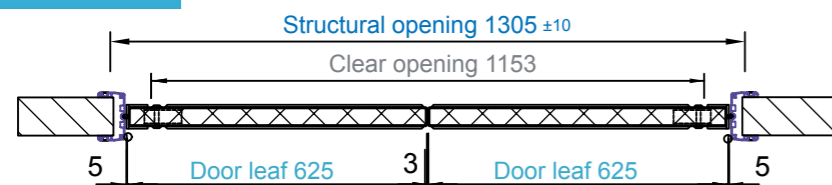
- DOORLEAF COLOUR** RAL 9016 white or other standard colour; see section 0.05 (1600 No. colours available to special order)
- FRAME COLOUR** White powder coated aluminium or anodised aluminium (Other colour options to special order)
- HINGES** Double swing LAMI hinges with hold open or non-hold open facility, stainless steel screws
- IRONMONGERY** Client specified ironmongery or selection from our standard range
- VISION PANEL** Size 200x500x6 mm laminated glass with PVC-gaskets
- FACE PROTECTION** RAL 7035 grey 4 mm thick smooth polyethylene, 1000 mm high both sides
- SEALS** Integral silicon seal in the frame
- WIPE SEAL** Double silicon seal fitted to the bottom of doorleaf

LAMI GRP door set is a 'design' product; please add & specify your choice of vision panels, threshold, ironmongery etc. See guidance in "ACCESSORIES & MORE".

KH 10



KH 14 P





Download KMH Specifications: www.lamidoors.com



Editable
PDF File

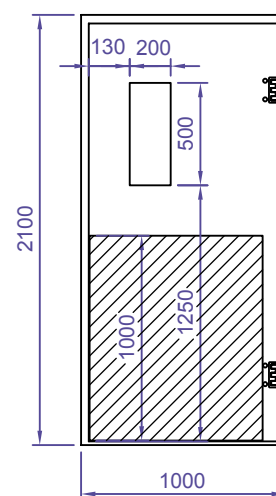


WORD File



TXT File

Door Ref. NO	
Handing Right	
Handing Left	
Handing Total	
Door Type	KMH / LAMI GRP DOORS / LAMI DOORS UK LTD.
Structural Opening	Width (mm) x Height (mm)
Wall Thickness	
Wall Construction	
Colour - Doorleaf	
Colour - Frame	
Vision Panel	Size (mm)
Threshold	
Kick Plate	Height (mm) Side Material
Bumper	Height (mm) Side Quantity
Edge Protection	
Centre Rebate	



IRONMONGERY

Latch + lever handles	
Sashlock + lever handles	
Deadlock	
Pull Handle	
Push Plate	
Closer	

For a comprehensive list of all options and ironmongery please consult our technical department.

We are dedicated in providing the best possible service and technical support to our clients at all times. Please find your nearest representative on www.lamidoors.com.

SEAMLESS
STRUCTURE

CHEMICAL
RESISTANCE

HYGIENIC

WATER PROOF

CORROSION
PROOF

LIGHT WEIGHT

SAFE TO USE

LONG LIFE
EXPECTANCY

YOUR OWN DESIGN

The KMH double action hinged personnel doorset consists of a polyurethane foam filled pressure moulded Glass Reinforced Polyester (GRP) doorleaf hung on a GRP frame. Designed for non-fire rated applications. Suitable for fitting to brick or block openings. Can also be fitted to insulated panels, partitioning systems and plasterboard walls.

Typical Applications:

- Hospitals and Animal Clinics
- Pharmaceuticals, Laboratories and Cleanrooms
- University Research Facilities
- Schools, Nurseries and Care Homes
- Spas, Swimming Pools and Leisure Centres
- Hotels, Restaurants and all Commercial Kitchens
- Supermarkets and all Food Preparation Areas
- Chemical and Electrical Industry and Warehouses
- Water Treatment and Agricultural Buildings



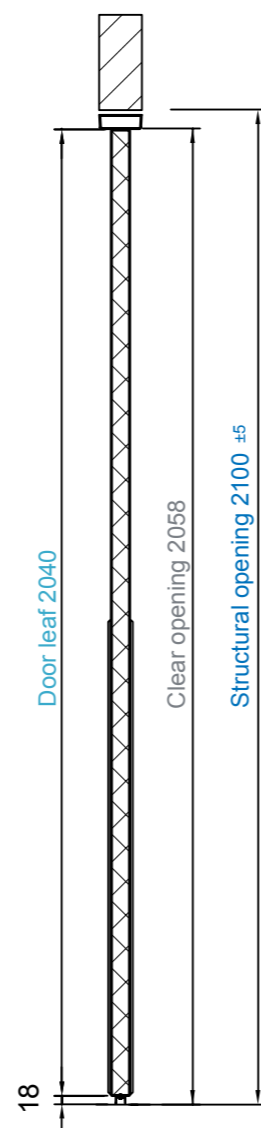
Certifications and approvals of LAMI doors
Read more on page 0.11 or contact us!

lamidoors@lamidoors.com
www.lamidoors.com

STANDARD SIZES

SPECIAL SIZES AVAILABLE

Door Type	Doorleaf	Clear Opening	Structural Opening
Single Door			±10 ±5
KMH 7	625x2040	575x2058	700x2100
KMH 8	725x2040	675x2058	800x2100
KMH 8/27	725x2640	675x2658	800x2700
KMH 9	825x2040	775x2058	900x2100
KMH 9/25	825x2440	775x2458	900x2500
KMH 9/27	825x2640	775x2658	900x2700
KMH 9 X	860x2040	810x2058	935x2100
KMH 10	925x2040	875x2058	1000x2100
KMH 10/25	925x2440	875x2458	1000x2500
KMH 10/27	925x2640	875x2658	1000x2700
KMH 11	1025x2040	975x2058	1100x2100
KMH 11/25	1025x2440	975x2458	1100x2500
KMH 12	1125x2040	1075x2058	1200x2100
KMH 12/25	1125x2440	1075x2458	1200x2500
KMH 13	1225x2040	1175x2058	1300x2100
KMH 13/28	1225x2700	1175x2718	1300x2760
Double Doors			
KMH 14 P	625+625x2040	1153x2058	1330x2100
KMH 16 P	725+725x2040	1353x2058	1530x2100
KMH 16/27 P	725+725x2640	1353x2658	1530x2700
KMH 18 P	825+825x2040	1553x2058	1730x2100
KMH 18/25 P	825+825x2440	1553x2458	1730x2500
KMH 18/27 P	825+825x2640	1553x2658	1730x2700
KMH 18 X P	860+860x2040	1623x2058	1800x2100
KMH 20 P	925+925x2040	1753x2058	1930x2100
KMH 20/25 P	925+925x2440	1753x2458	1930x2500
KMH 20/27 P	925+925x2640	1753x2658	1930x2700
KMH 22 P	1025+1025x2040	1953x2058	2130x2100
KMH 22/25 P	1025+1025x2440	1953x2458	2130x2500
KMH 24 P	1125+1125x2040	2153x2058	2330x2100
KMH 24/25 P	1125+1125x2440	2153x2458	2330x2500
KMH 26 P	1225+1225x2040	2353x2058	2530x2100
KMH 26/28 P	1225+1225x2700	2353x2718	2530x2760



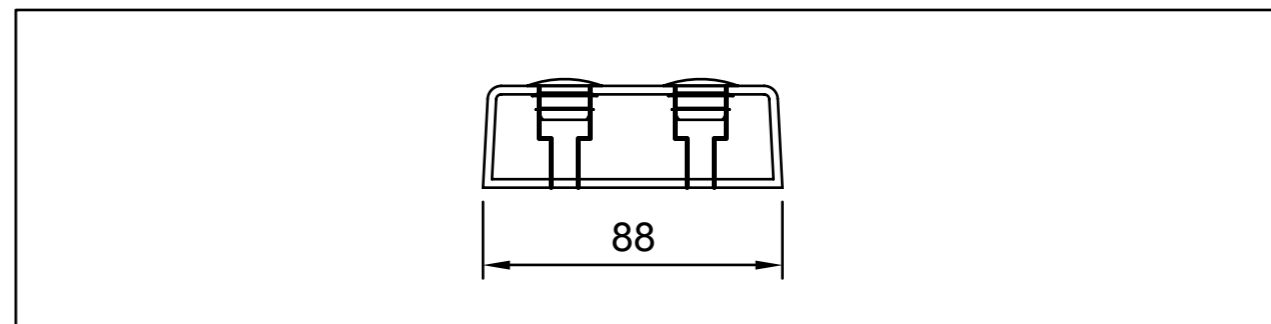
TECHNICAL DETAILS

DOOR LEAF

- 40 mm thick pressure moulded Glass Reinforced Polyester doorblade. Seamless with no lippings or laminations. Waterproof and lightweight.
- HCFC-free PU rigid foam core material. Free of timber or other organic materials.
- Water absorption 0 %.

FRAME

- Pressure moulded GRP construction with internal reinforcement, factory prepared mitred corner joints, fitted hinges and pre-drilled fixing points.
- Frame depth of frame 88 mm.



KMH STANDARD OPTIONS AND ACCESSORIES

DOORLEAF COLOUR

RAL 9016 white or other standard colour; see section 0.05 (1600 No. colours available to special order)

FRAME COLOUR

RAL 9016 white or other standard colour; see section 0.05 (1600 No. colours available to special order)

HINGES

Double swing LAMI hinges with hold open or non-hold open facility, stainless steel screws

IRONMONGERY

Client specified ironmongery or selection from our standard range

VISION PANEL

Size 200x500x6 mm laminated glass with PVC-gaskets

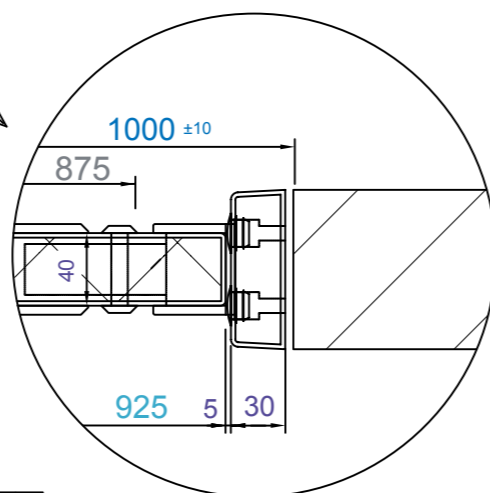
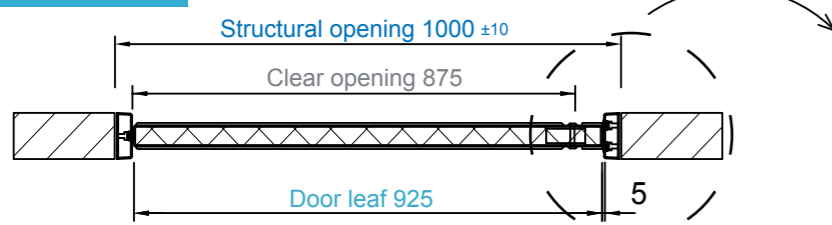
FACE PROTECTION

RAL 7035 grey 4 mm thick smooth polyethylene, 1000 mm high both sides

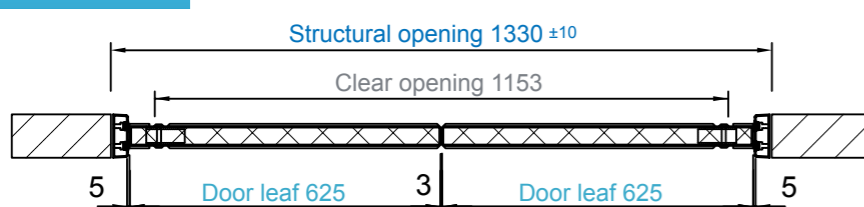
WIPE SEAL

Double silicon seal fitted to the bottom of doorleaf

KMH 10



KMH 14 P





Download KRH Specifications: www.lamidoors.com



Editable
PDF File

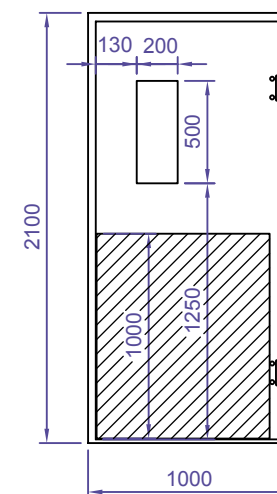


WORD File



TXT File

Door Ref. NO	
Handing Right	
Handing Left	
Handing Total	
Door Type	KRH / LAMI GRP DOORS / LAMI DOORS UK LTD.
Structural Opening	Width (mm) x Height (mm)
Wall Thickness	
Wall Construction	
Colour - Doorleaf	
Colour - Frame	
Vision Panel	Size (mm)
Threshold	
Kick Plate	Height (mm) Side Material
Bumper	Height (mm) Side Quantity
Edge Protection	
Centre Rebate	



IRONMONGERY

Latch + lever handles	
Sashlock + lever handles	
Deadlock	
Pull Handle	
Push Plate	
Closer	

For a comprehensive list of all options and ironmongery please consult our technical department.

We are dedicated in providing the best possible service and technical support to our clients at all times. Please find your nearest representative on www.lamidoors.com.

SEAMLESS
STRUCTURE

CHEMICAL
RESISTANCE

HYGIENIC

WATER PROOF

CORROSION
PROOF

LIGHT WEIGHT

SAFE TO USE

LONG LIFE
EXPECTANCY

YOUR OWN DESIGN

The KRH double action hinged personnel doorset consists of a polyurethane foam filled pressure moulded Glass Reinforced Polyester (GRP) doorleaf hung on a stainless steel frame. Designed for non-fire rated applications. Suitable for fitting to brick or block openings. Can also be fitted to insulated panels, partitioning systems and plasterboard walls.

Typical Applications:

- Hospitals and Animal Clinics
- Pharmaceuticals, Laboratories and Cleanrooms
- University Research Facilities
- Schools, Nurseries and Care Homes
- Spas, Swimming Pools and Leisure Centres
- Hotels, Restaurants and all Commercial Kitchens
- Supermarkets and all Food Preparation Areas
- Chemical and Electrical Industry and Warehouses
- Water Treatment and Agricultural Buildings



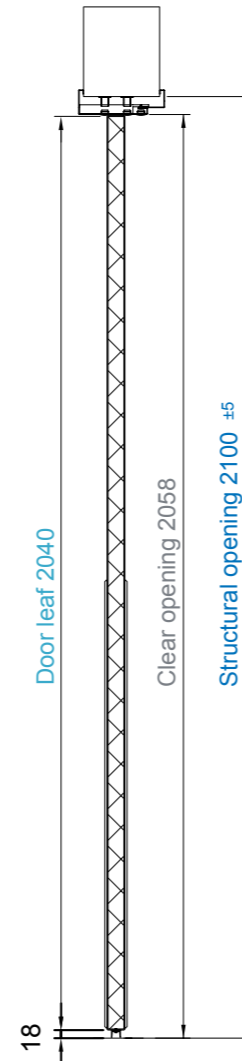
Certifications and approvals of LAMI doors
Read more on page 0.11 or contact us!

lamidoors@lamidoors.com
www.lamidoors.com

STANDARD SIZES

SPECIAL SIZES AVAILABLE

Door Type	Doorleaf	Clear Opening	Structural Opening
Single Door			±10 ±5
KRH 7	625x2040	575x2058	700x2100
KRH 8	725x2040	675x2058	800x2100
KRH 8/27	725x2640	675x2658	800x2700
KRH 9	825x2040	775x2058	900x2100
KRH 9/25	825x2440	775x2458	900x2500
KRH 9/27	825x2640	775x2658	900x2700
KRH 9 X	860x2040	810x2058	935x2100
KRH 10	925x2040	875x2058	1000x2100
KRH 10/25	925x2440	875x2458	1000x2500
KRH 10/27	925x2640	875x2658	1000x2700
KRH 11	1025x2040	975x2058	1100x2100
KRH 11/25	1025x2440	975x2458	1100x2500
KRH 12	1125x2040	1075x2058	1200x2100
KRH 12/25	1125x2440	1075x2458	1200x2500
KRH 13	1225x2040	1175x2058	1300x2100
KRH 13/28	1225x2700	1175x2718	1300x2760
Double Doors			
KRH 14 P	625+625x2040	1153x2058	1330x2100
KRH 16 P	725+725x2040	1353x2058	1530x2100
KRH 16/27 P	725+725x2640	1353x2658	1530x2700
KRH 18 P	825+825x2040	1553x2058	1730x2100
KRH 18/25 P	825+825x2440	1553x2458	1730x2500
KRH 18/27 P	825+825x2640	1553x2658	1730x2700
KRH 18 X P	860+860x2040	1623x2058	1800x2100
KRH 20 P	925+925x2040	1753x2058	1930x2100
KRH 20/25 P	925+925x2440	1753x2458	1930x2500
KRH 20/27 P	925+925x2640	1753x2658	1930x2700
KRH 22 P	1025+1025x2040	1953x2058	2130x2100
KRH 22/25 P	1025+1025x2440	1953x2458	2130x2500
KRH 24 P	1125+1125x2040	2153x2058	2330x2100
KRH 24/25 P	1125+1125x2440	2153x2458	2330x2500
KRH 26 P	1225+1225x2040	2353x2058	2530x2100
KRH 26/28 P	1225+1225x2700	2353x2718	2530x2760



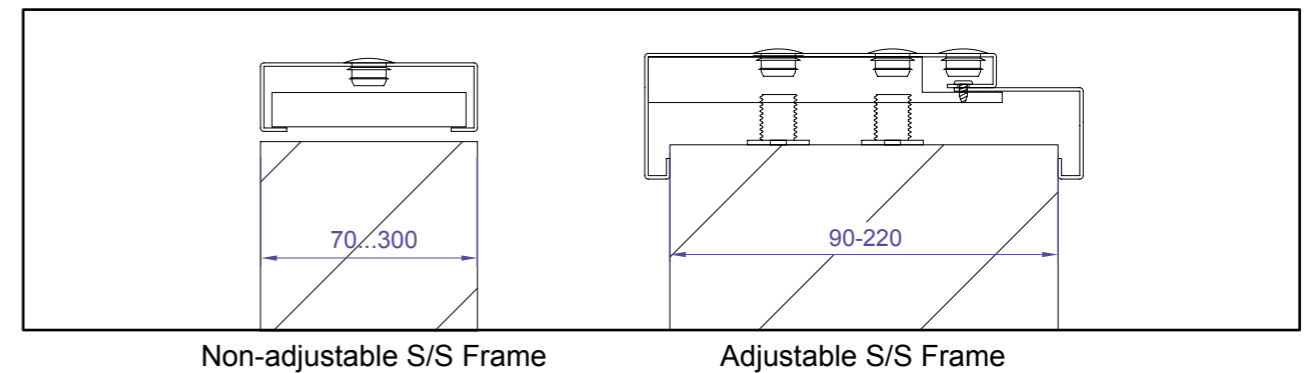
TECHNICAL DETAILS

DOOR LEAF

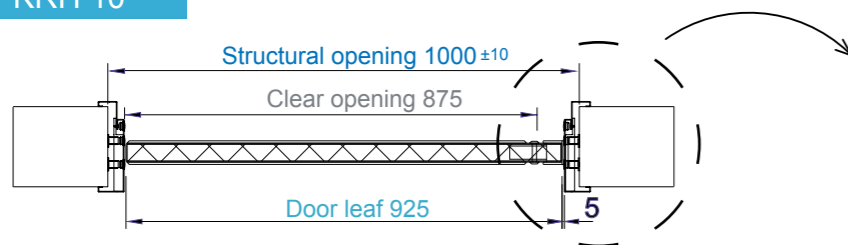
- 40 mm thick pressure moulded Glass Reinforced Polyester doorblade. Seamless with no lippings or laminations. Waterproof and lightweight.
- HCFC-free PU rigid foam core material. Free of timber or other organic materials.
- Water absorption 0 %.

FRAME

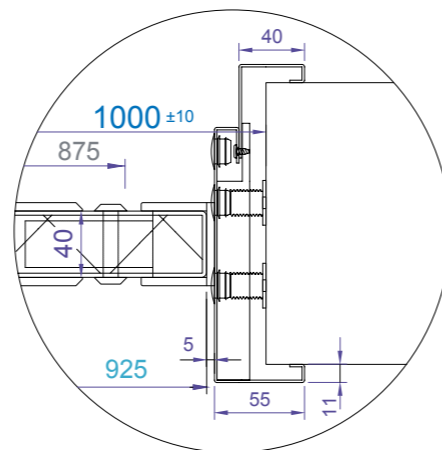
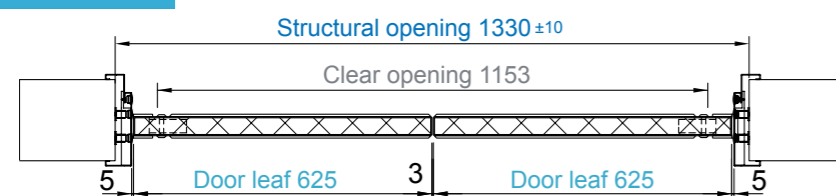
- Brushed finish stainless steel, material thickness 1.5 mm.
- Non-adjustable stainless steel frame or adjustable wrap around frame. Welded and polished corner joints.



KRH 10



KRH 14 P



KRH STANDARD OPTIONS AND ACCESSORIES

DOORLEAF COLOUR	RAL 9016 white or other standard colour; see section 0.05 (1600 No. colours available to special order)
FRAME COLOUR	Brushed finish stainless steel (304), acid proof stainless steel (316) or powder coated steel
HINGES	Double swing LAMI hinges with hold open or non-hold open facility, stainless steel screws
IRONMONGERY	Client specified ironmongery or selection from our standard range
VISION PANEL	Size 200x500x6 mm laminated glass with PVC-gaskets
FACE PROTECTION	RAL 7035 grey 4 mm thick smooth polyethylene, 1000 mm high both sides
WIPE SEAL	Double silicon seal fitted to the bottom of doorleaf

LAMI GRP door set is a 'design' product; please add & specify your choice of vision panels, threshold, ironmongery etc. See guidance in "ACCESSORIES & MORE".



- SEAMLESS STRUCTURE
- CHEMICAL RESISTANCE
- HYGIENIC
- WATERPROOF
- CORROSION PROOF
- LIGHT WEIGHT
- SAFE TO USE
- LONG LIFE EXPECTANCY
- YOUR OWN DESIGN

The SV double action hinged goods traffic doorset consists of a non-insulated 7 mm thick pressure moulded Glass Reinforced Polyester (GRP) doorleaf hung on a fully adjustable aluminium wrap around frame system. The door is lightweight, impact resistant, durable and flexible. Designed to resist impacts from heavy duty trolley traffic. Can be fitted to brick or block openings and most other wall materials.

Key Features

- Exceptionally lightweight but highly durable for ease of use especially in high traffic areas.
- Double swing hinges with optional self closing facility eliminating the need for closers.
- Void of all organic material and steel eliminating the risk of rot, rust or distortion.

Typical Applications

- Supermarkets • Food Industry
- Meat Preparation Premises
- Fish Preparation Premises
- Industry and Warehouses
- Other Premises with heavy duty trolley traffic



CE marking, certifications and approvals of LAMI doors
Read more on page 0.11 or contact us!

lamidoors@lamidoors.com
www.lamidoors.com

Download SV Specifications: www.lamidoors.com



Editable
PDF File

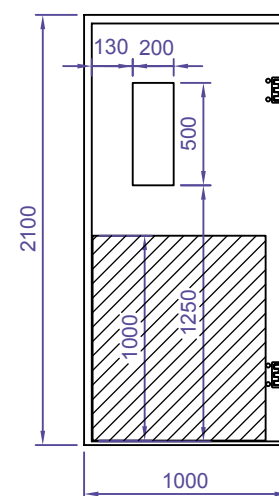


WORD File



TXT File

Door Ref. NO	
Handing Right	
Handing Left	
Handing Total	
Door Type	SV / LAMI GRP DOORS / LAMI DOORS UK LTD.
Structural Opening	Width (mm) x Height (mm)
Wall Thickness	
Wall Construction	
Colour - Doorleaf	
Colour - Frame	
Vision Panel	Size (mm)
Threshold	
Kick Plate	Height (mm) Side Material
Bumper	Height (mm) Side Quantity
Edge Protection	
Centre Rebate	



IRONMONGERY

Latch + lever handles	
Sashlock + lever handles	
Deadlock	
Pull Handle	
Push Plate	
Closer	

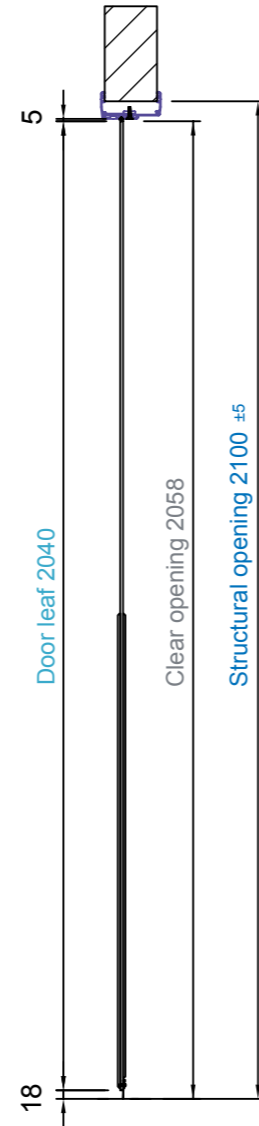
For a comprehensive list of all options and ironmongery please consult our technical department.

We are dedicated in providing the best possible service and technical support to our clients at all times. Please find your nearest representative on www.lamidoors.com.

STANDARD SIZES

SPECIAL SIZES AVAILABLE

Door Type	Doorleaf	Clear Opening	Structural Opening
Single Door			±10 ±5
SV 7	625x2040	575x2058	700x2100
SV 8	725x2040	675x2058	800x2100
SV 8/27	725x2640	675x2658	800x2700
SV 9	825x2040	775x2058	900x2100
SV 9/25	825x2440	775x2458	900x2500
SV 9/27	825x2640	775x2658	900x2700
SV 9 X	860x2040	810x2058	935x2100
SV 10	925x2040	875x2058	1000x2100
SV 10/25	925x2440	875x2458	1000x2500
SV 10/27	925x2640	875x2658	1000x2700
SV 11	1025x2040	975x2058	1100x2100
SV 11/25	1025x2440	975x2458	1100x2500
SV 12	1125x2040	1075x2058	1200x2100
SV 12/25	1125x2440	1075x2458	1200x2500
SV 13	1225x2040	1175x2058	1300x2100
SV 13/28	1225x2700	1175x2718	1300x2760
Double Doors			
SV 14 P	625+625x2040	1153x2058	1330x2100
SV 16 P	725+725x2040	1353x2058	1530x2100
SV 16/27 P	725+725x2640	1353x2658	1530x2700
SV 18 P	825+825x2040	1553x2058	1730x2100
SV 18/25 P	825+825x2440	1553x2458	1730x2500
SV 18/27 P	825+825x2640	1553x2658	1730x2700
SV 18 X P	860+860x2040	1623x2058	1800x2100
SV 20 P	925+925x2040	1753x2058	1930x2100
SV 20/25 P	925+925x2440	1753x2458	1930x2500
SV 20/27 P	925+925x2640	1753x2658	1930x2700
SV 22 P	1025+1025x2040	1953x2058	2130x2100
SV 22/25 P	1025+1025x2440	1953x2458	2130x2500
SV 24 P	1125+1125x2040	2153x2058	2330x2100
SV 24/25 P	1125+1125x2440	2153x2458	2330x2500
SV 26 P	1225+1225x2040	2353x2058	2530x2100
SV 26/28 P	1225+1225x2700	2353x2718	2530x2760



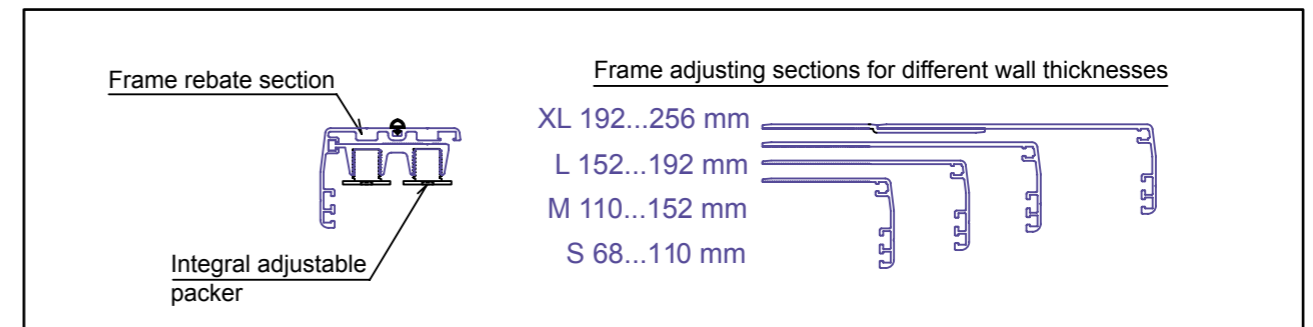
TECHNICAL DETAILS

DOOR LEAF

- 7 mm thick pressure moulded Glass Reinforced Polyester doorblade. Thickness decreases from 7 mm to 5 mm towards the leading edge. Highly durable and impact resistant. Waterproof and lightweight.
- 40 mm thick moulded section along the hinge edge to provide added rigidity
- Water absorption 0 %.

FRAME

- Adjustable aluminium frame for wall thickness from 68 to 256 mm. Integral adjustable packers at fixing points to ease the installation.
- Other frame depths and profiles available on request.

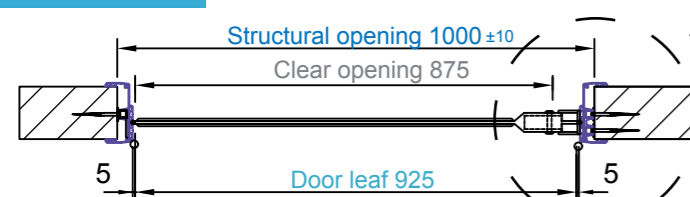


All frame sections are protected by registration of design

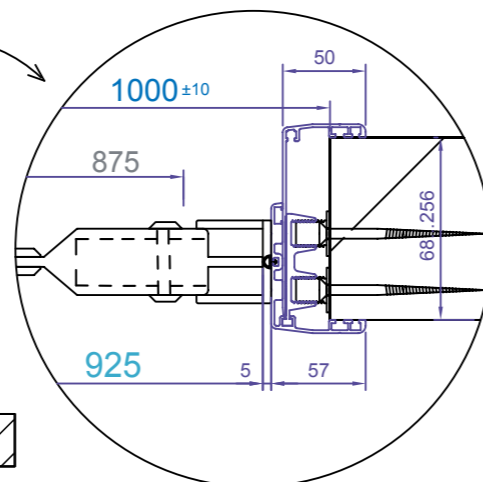
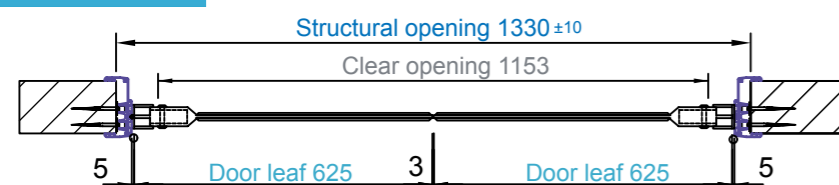
SV STANDARD OPTIONS AND ACCESSORIES

- DOORLEAF COLOUR** RAL 9016 white or other standard colour; see section 0.05 (1600 No. colours available to special order)
- FRAME COLOUR** White powder coated aluminium or anodised aluminium (Other colour options to special order)
- HINGES** Double swing LAMI hinges with hold open or non-hold open facility, stainless steel screws
- IRONMONGERY** Client specified ironmongery or selection from our standard range
- VISION PANEL** Size 200x500x3 mm acrylic with grey rubber gasket
- FACE PROTECTION** RAL 7035 grey 4 mm thick smooth polyethylene, 1000 mm high both sides
- SEALS** Integral silicon seal in the frame
- WIPE SEAL** Single silicon seal fitted to the bottom of doorleaf

SV 10



SV 14 P



LAMI GRP door set is a 'design' product; please add & specify your choice of vision panels, threshold, ironmongery etc. See guidance in "ACCESSORIES & MORE".



The PK double action hinged high visibility doorset consists of a 5 mm thick clear food grade polycarbonate doorleaf supported by an aluminium reinforcement channel along the hinge and top edge. This is hung on a fully adjustable aluminium wrap around frame system. The doorleaf is flexible, lightweight and durable. Designed to provide maximum visibility in high traffic areas. Can be fitted to brick or block openings and most other wall materials.

Key Features

- Lightweight and flexible with maximum visibility for ease of use especially in high traffic areas.
- Double swing hinges with optional self closing facility eliminating the need for closers.
- Void of all organic material and steel eliminating the risk of rot, rust and distortion.

Typical Applications

- Supermarkets
- Food Industry
- Meat Preparation Premises
- Fish Preparation Premises
- Industry and Warehouses
- Other Premises with maximum visibility requirement

Certifications and approvals of LAMI doors
Read more on page 0.11 or contact us!

lamidoors@lamidoors.com
www.lamidoors.com

Download PK Specifications: www.lamidoors.com



Editable
PDF File

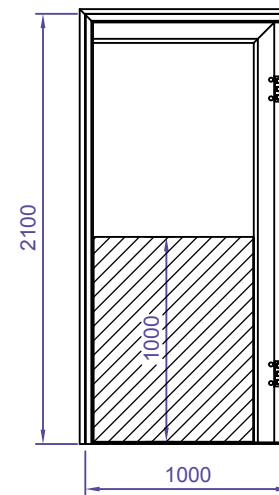


WORD File



TXT File

Door Ref. NO			
Handing Right			
Handing Left			
Handing Total			
Door Type	PK Polycarbonate Door / LAMI GRP DOORS / LAMI DOORS UK LTD.		
Structural Opening	Width (mm)	x Height (mm)	
Wall Thickness			
Wall Construction			
Colour - Doorleaf			
Colour - Frame			
Vision Panel	Size (mm)		
Threshold			
Kick Plate	Height (mm)	Side	Material
Bumper	Height (mm)	Side	Quantity
Edge Protection			
Centre Rebate			



IRONMONGERY

Latch + lever handles

Sashlock + lever handles

Deadlock

Pull Handle

Push Plate

Closer

For a comprehensive list of all options and ironmongery please consult our technical department.

We are dedicated in providing the best possible service and technical support to our clients at all times.
Please find your nearest representative on www.lamidoors.com.

SEAMLESS
STRUCTURE

CHEMICAL
RESISTANCE

HYGIENIC

WATER PROOF

CORROSION
PROOF

LIGHT WEIGHT

SAFE TO USE

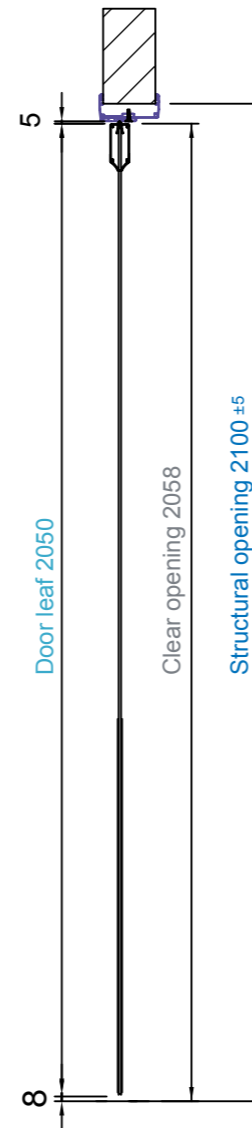
LONG LIFE
EXPECTANCY

YOUR OWN DESIGN

STANDARD SIZES

SPECIAL SIZES AVAILABLE

Door Type	Doorleaf	Clear Opening	Structural Opening
Single Doors			
PK 7	625x2050	575x2058	700x2100
PK 7/31	625x3050	575x3058	700x3100
PK 8	725x2050	675x2058	800x2100
PK 8/31	725x3050	675x3058	800x3100
PK 9	825x2050	775x2058	900x2100
PK 9/31	825x3050	775x3058	900x3100
PK 9 X	860x2050	810x2058	935x2100
PK 10	925x2050	875x2058	1000x2100
PK 10/31	925x3050	875x3058	1000x3100
PK 11	1025x2050	975x2058	1100x2100
PK 11/31	1025x3050	975x3058	1100x3100
PK 12	1125x2050	1075x2058	1200x2100
PK 12/31	1125x3050	1075x3058	1200x3100
PK 13	1225x2050	1175x2058	1300x2100
PK 13/31	1225x3050	1175x3058	1300x3100
Double Doors			
PK 14 P	625+625x2050	1153x2058	1330x2100
PK 14/31 P	625+625x3050	1153x3058	1330x3100
PK 16 P	725+725x2050	1353x2058	1530x2100
PK 16/31 P	725+725x3050	1353x3058	1530x3100
PK 18 P	825+825x2050	1553x2058	1730x2100
PK 18/31 P	825+825x3050	1553x3058	1730x3100
PK 18 X P	860+860x2050	1623x2058	1800x2100
PK 20 P	925+925x2050	1753x2058	1930x2100
PK 20/31 P	925+925x3050	1753x3058	1930x3100
PK 22 P	1025+1025x2050	1953x2058	2130x2100
PK 22/31 P	1025+1025x3050	1953x3058	2130x3100
PK 24 P	1125+1125x2050	2153x2058	2330x2100
PK 24/31 P	1125+1125x3050	2153x3058	2330x3100
PK 26 P	1225+1225x2050	2353x2058	2530x2100
PK 26/31 P	1225+1225x3050	2353x3058	2530x3100



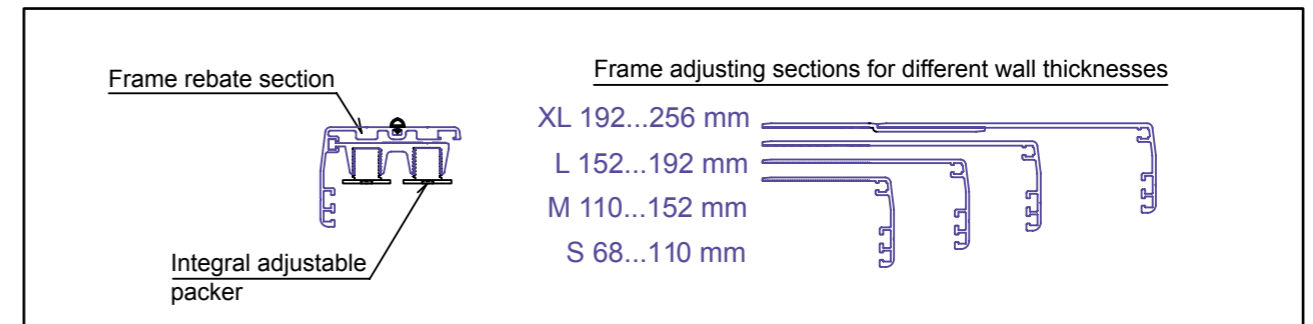
TECHNICAL DETAILS

DOOR LEAF

- 5 mm thick clear food grade polycarbonate doorblade. Flexible, lightweight and durable.
- 40 mm thick aluminium reinforcement channel along the hinge and top edge to provide added rigidity.

FRAME

- Adjustable aluminium frame for wall thickness from 68 to 256 mm. Integral adjustable packers at fixing points to ease the installation.
- Other frame depths and profiles available on request.

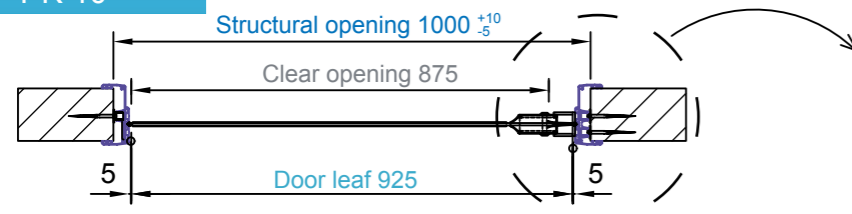


All frame sections are protected by registration of design

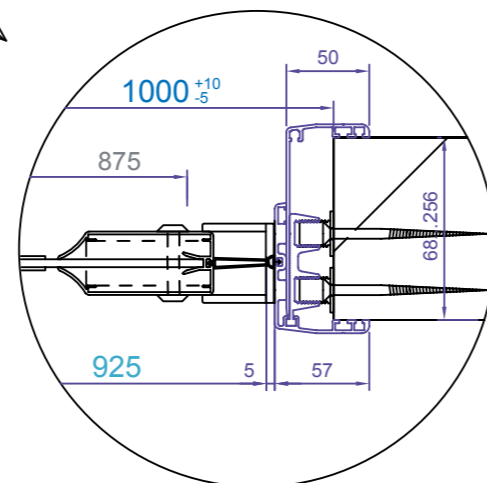
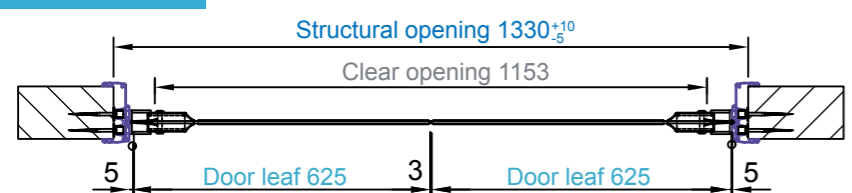
PK STANDARD OPTIONS AND ACCESSORIES

DOORLEAF COLOUR	Clear polycarbonate
FRAME COLOUR	White powder coated aluminium or anodised aluminium, (Other colour options to special order)
HINGES	Double swing LAMI hinges with hold open or non-hold open facility, stainless steel screws
FACE PROTECTION	RAL 7011 grey 2 mm thick PVC, 1000 mm high both sides
SEALS	Integral silicon seal in the frame and in the reinforcement channel

PK 10



PK 14 P



LAMI GRP door set is a 'design' product; please add & specify your choice of vision panels, threshold, ironmongery etc. See guidance in "ACCESSORIES & MORE".



- SEAMLESS STRUCTURE
- CHEMICAL RESISTANCE
- HYGIENIC
- WATER PROOF
- CORROSION PROOF
- LIGHT WEIGHT
- SAFE TO USE
- LONG LIFE EXPECTANCY
- YOUR OWN DESIGN

The KL manual sliding doorset consists of a polyurethane foam filled pressure moulded Glass Reinforced Polyester (GRP) doorleaf hung on an aluminium sliding track. The opening is lined with a fully adjustable aluminium wrap around frame system. Designed for non-fire rated applications. Can be fitted to brick or block openings and most other wall materials.

Typical Applications:

- Hospitals and Animal Clinics
- Pharmaceuticals, Laboratories and Cleanrooms
- University Research Facilities
- Schools, Nurseries and Care Homes
- Spas, Swimming Pools and Leisure Centres
- Hotels, Restaurants and all Commercial Kitchens
- Supermarkets and all Food Preparation Areas
- Chemical and Electrical Industry and Warehouses
- Water Treatment and Agricultural Buildings

Manual KL Fire Rated Sliding Doors to be approved by local fire authorities. CE marking, certifications and approvals of LAMI doors, read more on page 0.11 or contact us!

lamidoors@lamidoors.com
www.lamidoors.com



Download Manual KL Specifications: www.lamidoors.com



Editable PDF File

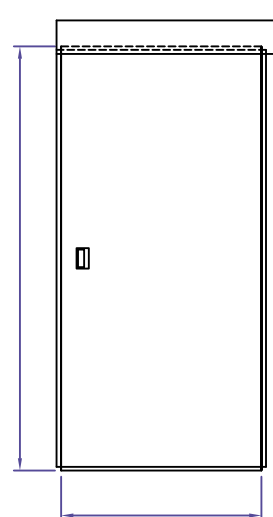


WORD File



TXT File

Door Ref. NO	
Handing Right	
Handing Left	
Handing Total	
Door Type	Manual KL / LAMI GRP DOORS / LAMI DOORS UK LTD.
Structural Opening	Width (mm) x Height (mm)
Wall Thickness	
Wall Construction	
Colour - Doorleaf	
Colour - Frame	
Vision Panel	Size (mm)
Threshold	
Kick Plate	Height (mm) Side Material
Bumper	Height (mm) Side Quantity
Edge Protection	
Centre Rebate	

	IRONMONGERY	
	Latch + lever handles	
	Sashlock + lever handles	
	Deadlock	
	Pull Handle	
	Push Plate	
For a comprehensive list of all options and ironmongery please consult our technical department.		

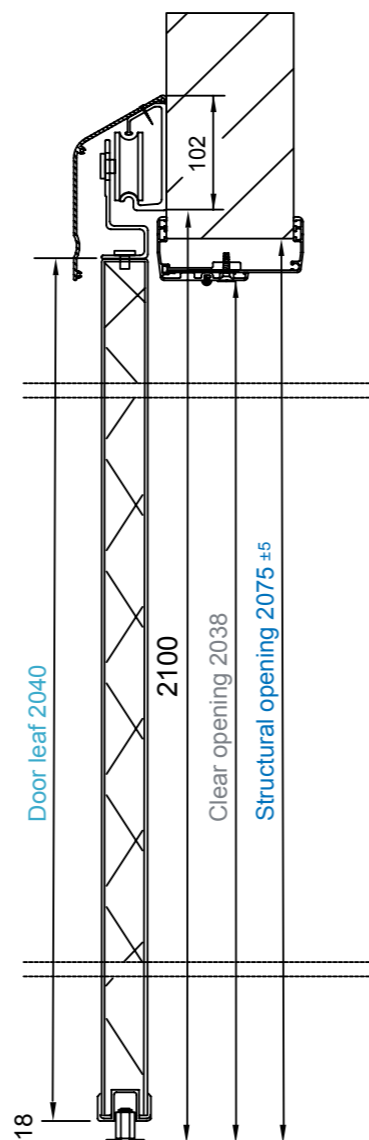
We are dedicated in providing the best possible service and technical support to our clients at all times. Please find your nearest representative on www.lamidoors.com.

STANDARD SIZES

SPECIAL SIZES AVAILABLE

Door Type	Doorleaf	Clear Opening	Structural Opening
Single Doors			
KL 6	625x2040	511x2038	580x2075 ⁺¹⁰ ₋₅
KL 7	725x2040	611x2038	680x2075
KL 7/27	725x2640	611x2638	680x2675
KL 8	825x2040	711x2038	780x2075
KL 8/25	825x2440	711x2438	780x2475
KL 8/27	825x2640	711x2638	780x2675
KL 8 X	860x2040	746x2038	815x2075
KL 9	925x2040	811x2038	880x2075
KL 9/25	925x2440	811x2438	880x2475
KL 9/27	925x2640	811x2638	880x2675
KL 10	1025x2040	911x2038	980x2075
KL 10/25	1025x2440	911x2438	980x2475
KL 11	1125x2040	1011x2038	1080x2075
KL 11/25	1125x2440	1011x2438	1080x2475
KL 12	1225x2040	1111x2038	1180x2075
KL 12/28	1225x2700	1111x2698	1180x2735
Double Doors			
KL 12 P	625+625x2040	1136x2038	1210x2075
KL 14 P	725+725x2040	1336x2038	1410x2075
KL 14/27 P	725+725x2640	1336x2638	1410x2675
KL 16 P	825+825x2040	1536x2038	1610x2075
KL 16/25 P	825+825x2440	1536x2438	1610x2475
KL 16/27 P	825+825x2640	1536x2638	1610x2675
KL 16 X P	860+860x2040	1606x2038	1680x2075
KL 18 P	925+925x2040	1736x2038	1810x2075
KL 18/25 P	925+925x2440	1736x2438	1810x2475
KL 18/27 P	925+925x2640	1736x2638	1810x2675
KL 20 P	1025+1025x2040	1936x2038	2010x2075
KL 20/25 P	1025+1025x2440	1936x2438	2010x2475
KL 22 P	1125+1125x2040	2136x2038	2210x2075
KL 22/25 P	1125+1125x2440	2136x2438	2210x2475
KL 24 P	1225+1225x2040	2336x2038	2410x2075
KL 24/28 P	1225+1225x2700	2336x2698	2410x2735

Double Doors can be joined together to form a Single Door.



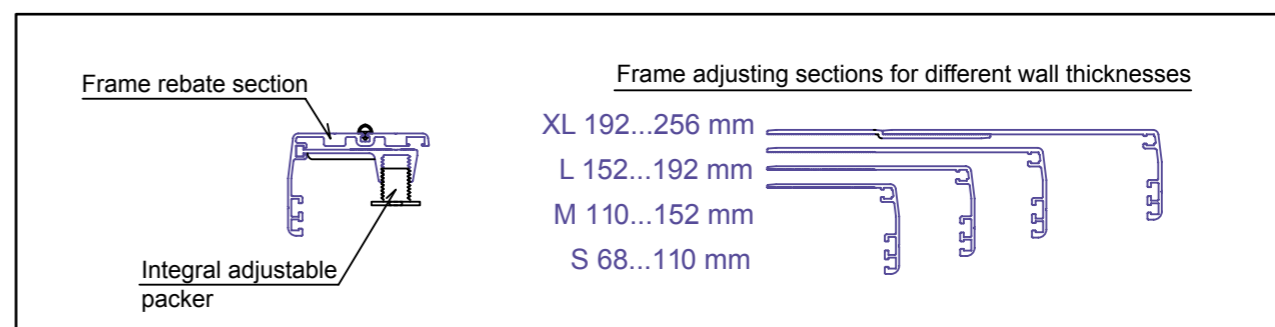
TECHNICAL DETAILS

DOOR LEAF

- 40 mm thick pressure moulded Glass Reinforced Polyester doorblade. Seamless with no lippings or laminations. Waterproof and lightweight.
- HCFC-free PU rigid foam core material. Free of timber or other organic materials. Optional RTG/KL X-Ray doors contain radiation protection to the user defined lead rate (up to 4 mm).
- White powder coated aluminium profile fitted to the bottom of doorleaf.

FRAME

- Adjustable aluminium frame for wall thickness from 68 to 256 mm. Integral adjustable packers at fixing points to ease the installation.
- Other frame options also available.



All frame sections are protected by registration of design

KL STANDARD OPTIONS AND ACCESSORIES

DOORLEAF COLOUR

RAL 9016 white or other standard colour; see section 0.05 (1600 No. colours available to special order)

FRAME COLOUR

White powder coated aluminium or anodised aluminium (Other colour options to special order)

SLIDING GEAR

Lami 100 aluminium sliding track with nylon rollers on ball bearings and adjustable rubber slide stops

TRACK COVER

Integral white powder coated aluminium track cover with plastic end plates

IRONMONGERY

Client specified ironmongery or selection from our standard range

FLOOR GUIDE

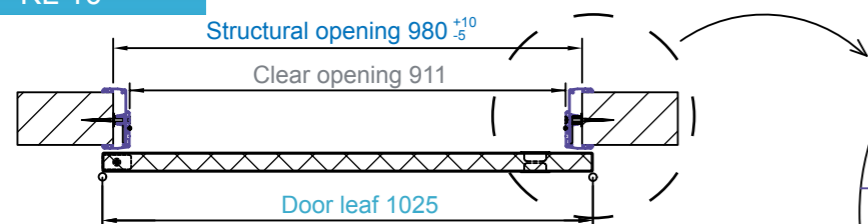
Stainless steel floor guide with plastic pin at threshold beside the frame leg, no floortrack at threshold

DOUBLE DOORS

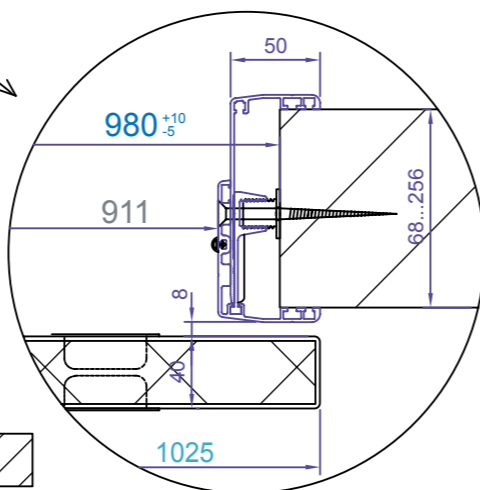
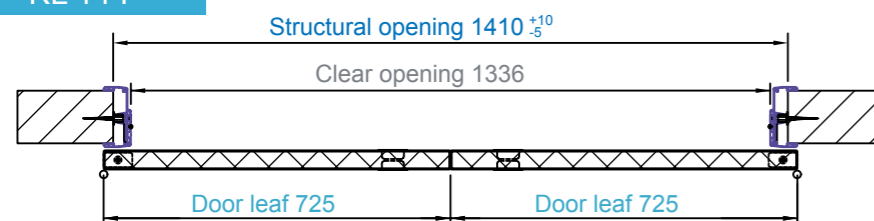
Bi-parting double doors

LAMI GRP door set is a 'design' product; please add & specify your choice of vision panels, threshold, ironmongery etc. Hermetically sealing sliding door also available. See guidance in "ACCESSORIES & MORE".

KL 10



KL 14 P





Download Automatic KLA Specifications: www.lamidoors.com



Editable
PDF File



WORD File



TXT File

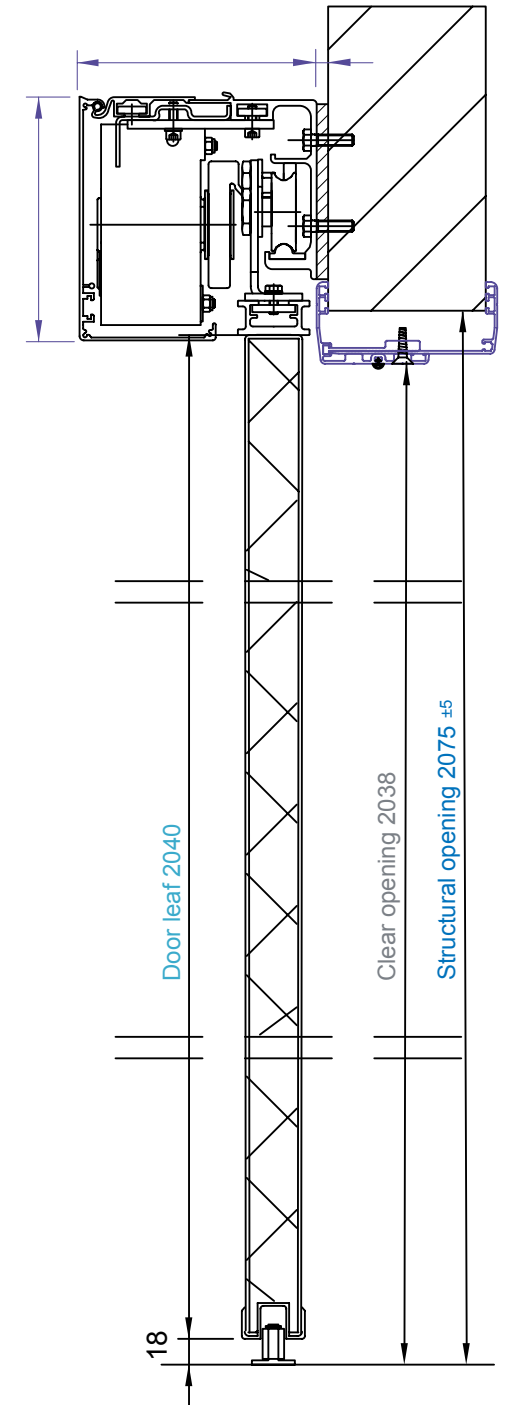
TECHNICAL DETAILS

DOORLEAF

- 40 mm thick pressure moulded Glass Reinforced Polyester doorblade. Seamless with no lippings or laminations. Waterproof and lightweight.
- HCFC-free PU rigid foam core material. Free of timber or other organic materials.

FRAME

- Adjustable aluminium frame for wall thickness from 68 to 256 mm. Integral adjustable packers at fixing points to ease the installation.



SEAMLESS
STRUCTURE

CHEMICAL
RESISTANCE

HYGIENIC

WATERPROOF

CORROSION
PROOF

LIGHT WEIGHT

SAFE TO USE

LONG LIFE
EXPECTANCY

YOUR OWN DESIGN

The automatic KLA sliding doorset consists of a polyurethane foam filled pressure moulded Glass Reinforced Polyester (GRP) doorleaf hung on a proprietary, automatic sliding gear. The automatic sliding gear can be tailored to the customer specification in terms of operation and actuation. Designed for non-fire rated applications.

Typical Applications:

- Hospitals and Animal Clinics
- Pharmaceuticals, Laboratories and Cleanrooms
- University Research Facilities
- Schools, Nurseries and Care Homes
- Spas, Swimming Pools and Leisure Centres
- Hotels, Restaurants and all Commercial Kitchens
- Supermarkets and all Food Preparation Areas
- Chemical and Electrical Industry and Warehouses
- Water Treatment and Agricultural Buildings



Automatic KLA Fire Rated Sliding Doors to be approved by local fire authorities. CE marking, certifications and approvals of LAMI doors, read more on page 0.11 or contact us!

Tel: +44 161 924 2217
lamidoors@lamidoors.com
www.lamidoors.com

AUTOMATIC SYSTEMS

LAMI doors can be delivered with client specified automatic systems

Optional automatic systems for example:

- Abloy
- Besam
- Dorma

Automatic KLA sliding doors can be delivered/installed on site. Terms of delivery to be agreed.

LAMI GRP door set is a 'design' product; please add & specify your choice of vision panels, threshold, ironmongery etc. Hermetically sealing sliding door also available. See guidance in "ACCESSORIES & MORE".

Manual RTG/KL X-Ray Sliding Doors



SEAMLESS
STRUCTURE

CHEMICAL
RESISTANCE

HYGIENIC

WATERPROOF

CORROSION
PROOF

LIGHT WEIGHT

SAFE TO USE

LONG LIFE
EXPECTANCY

YOUR OWN DESIGN

The manual RTG/KL x-ray sliding doorset consists of a polyurethane foam filled pressure moulded Glass Reinforced Polyester (GRP) doorleaf hung on an aluminium sliding track. The opening is lined with a fully adjustable aluminium wrap around frame system. The option of x-ray protection to the user defined lead rate (up to 4 mm) is provided with this door system. Designed for non-fire rated applications. Can be fitted to brick or block openings and most other wall materials.

Typical Applications

- Designed for use in areas primarily requiring the containment of radiation emissions
- Medical: Radiation Departments, X-Ray Rooms, Dental Surgeries, Laboratories
- Research-Industrial: Laboratories, Production Areas, Cleanrooms
- Educational: University Laboratories and Research Facilities



Manual RTG/KL Fire Rated X-Ray Sliding Doors to be approved by local fire authorities. CE marking, certifications and approvals of LAMI doors, read more on page 0.11 or contact us!

Tel: +44 161 924 2217
lamidoors@lamidoors.com
www.lamidoors.com

Download Manual RTG/KL Specifications: www.lamidoors.com



Editable
PDF File



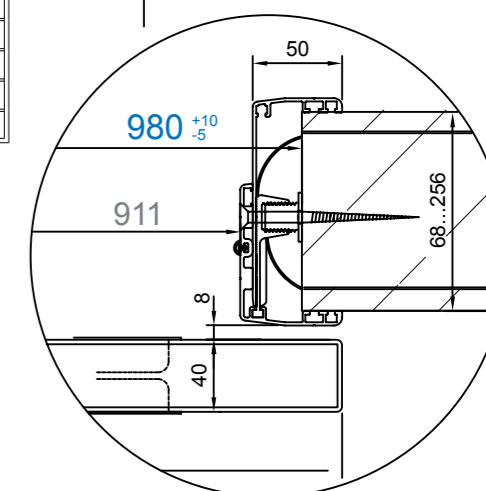
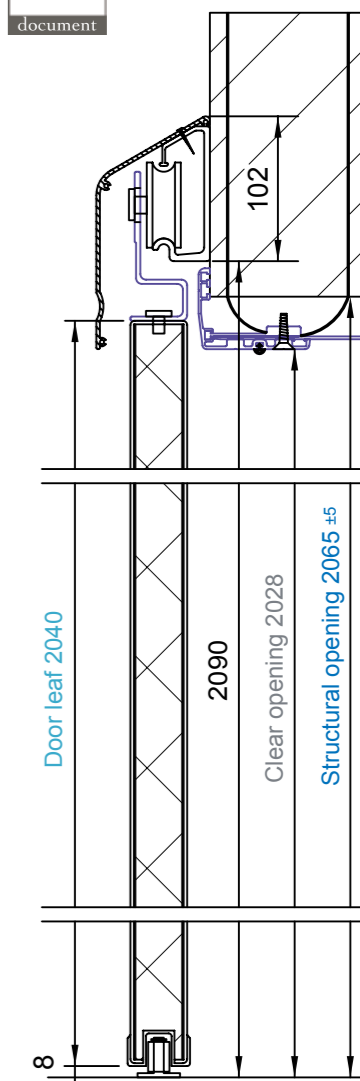
WORD File



TXT File

STANDARD SIZES

Door Type	Doorleaf	Clear Opening	Structural Opening
Single Door			⁺¹⁰ / ₋₅ ±5
RTG/KL 6	625x2040	511x2028	580x2065
RTG/KL 7	725x2040	611x2028	680x2065
RTG/KL 7/27	725x2640	611x2628	680x2665
RTG/KL 8	825x2040	711x2028	780x2065
RTG/KL 8/25	825x2440	711x2428	780x2465
RTG/KL 8/27	825x2640	711x2628	780x2665
RTG/KL 8 X	860x2040	746x2028	815x2065
RTG/KL 9	925x2040	811x2028	880x2065
RTG/KL 9/25	925x2440	811x2428	880x2465
RTG/KL 9/27	925x2640	811x2628	880x2665
RTG/KL 10	1025x2040	911x2028	980x2065
RTG/KL 10/25	1025x2440	911x2428	980x2465
RTG/KL 11	1125x2040	1011x2028	1080x2065
RTG/KL 11/25	1125x2440	1011x2428	1080x2465
RTG/KL 12	1225x2040	1111x2028	1180x2065
RTG/KL 12/28	1225x2700	1111x2688	1180x2725
Double Doors			
RTG/KL 12 P	625+625x2040	1136x2028	1210x2065
RTG/KL 14 P	725+725x2040	1336x2028	1410x2065
RTG/KL 14/27 P	725+725x2640	1336x2628	1410x2665
RTG/KL 16 P	825+825x2040	1536x2028	1610x2065
RTG/KL 16/25 P	825+825x2440	1536x2428	1610x2465
RTG/KL 16/27 P	825+825x2640	1536x2628	1610x2665
RTG/KL 16 X P	860+860x2040	1606x2028	1680x2065
RTG/KL 18 P	925+925x2040	1736x2028	1810x2065
RTG/KL 18/25 P	925+925x2440	1736x2428	1810x2465
RTG/KL 18/27 P	925+925x2640	1736x2628	1810x2665
RTG/KL 20 P	1025+1025x2040	1936x2028	2010x2065
RTG/KL 20/25 P	1025+1025x2440	1936x2428	2010x2465
RTG/KL 22 P	1125+1125x2040	2136x2028	2210x2065
RTG/KL 22/25 P	1125+1125x2440	2136x2428	2210x2465
RTG/KL 24 P	1225+1225x2040	2336x2028	2410x2065
RTG/KL 24/28 P	1225+1225x2700	2336x2688	2410x2725



Door leaf and frame of manual RTG/KL and automatic RTG/KLA type are identical. Automatic operator make/model and specification by the client. Specified thickness of lead lining is incorporated to door panel and frame.

LAMI GRP door set is a 'design' product; please add & specify your choice of vision panels, threshold, ironmongery etc. Hermetically sealing sliding door also available. See guidance in "ACCESSORIES & MORE".



Download Automatic RTG/KLA Specifications: www.lamidoors.com



Editable
PDF File



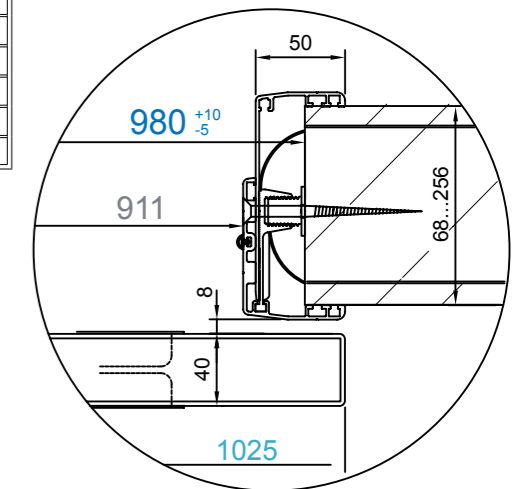
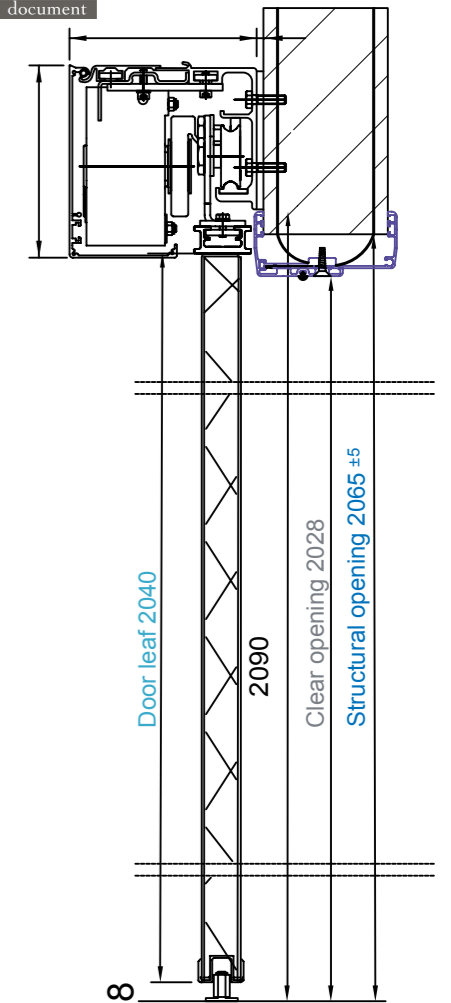
WORD File



TXT File

STANDARD SIZES

Door Type	Doorleaf	Clear Opening	Structural Opening
Single Doors			⁺¹⁰ ₋₅ ±5
RTG/KLA 6	625x2040	511x2028	580x2065
RTG/KLA 7	725x2040	611x2028	680x2065
RTG/KLA 7/27	725x2640	611x2628	680x2665
RTG/KLA 8	825x2040	711x2028	780x2065
RTG/KLA 8/25	825x2440	711x2428	780x2465
RTG/KLA 8/27	825x2640	711x2628	780x2665
RTG/KLA 8 X	860x2040	746x2028	815x2065
RTG/KLA 9	925x2040	811x2028	880x2065
RTG/KLA 9/25	925x2440	811x2428	880x2465
RTG/KLA 9/27	925x2640	811x2628	880x2665
RTG/KLA 10	1025x2040	911x2028	980x2065
RTG/KLA 10/25	1025x2440	911x2428	980x2465
RTG/KLA 11	1125x2040	1011x2028	1080x2065
RTG/KLA 11/25	1125x2440	1011x2428	1080x2465
RTG/KLA 12	1225x2040	1111x2028	1180x2065
RTG/KLA 12/28	1225x2700	1111x2688	1180x2725
Double Doors			
RTG/KLA 12 P	625+625x2040	1136x2028	1210x2065
RTG/KLA 14 P	725+725x2040	1336x2028	1410x2065
RTG/KLA 14/27 P	725+725x2640	1336x2628	1410x2665
RTG/KLA 16 P	825+825x2040	1536x2028	1610x2065
RTG/KLA 16/25 P	825+825x2440	1536x2428	1610x2465
RTG/KLA 16/27 P	825+825x2640	1536x2628	1610x2665
RTG/KLA 16 X P	860+860x2040	1606x2028	1680x2065
RTG/KLA 18 P	925+925x2040	1736x2028	1810x2065
RTG/KLA 18/25 P	925+925x2440	1736x2428	1810x2465
RTG/KLA 18/27 P	925+925x2640	1736x2628	1810x2665
RTG/KLA 20 P	1025+1025x2040	1936x2028	2010x2065
RTG/KLA 20/25 P	1025+1025x2440	1936x2428	2010x2465
RTG/KLA 22 P	1125+1125x2040	2136x2028	2210x2065
RTG/KLA 22/25 P	1125+1125x2440	2136x2428	2210x2465
RTG/KLA 24 P	1225+1225x2040	2336x2028	2410x2065
RTG/KLA 24/28 P	1225+1225x2700	2336x2688	2410x2725



Door leaf and frame of manual RTG/KL and automatic RTG/KLA type are identical. Automatic operator make/model and specification by the client. Specified thickness of lead lining is incorporated to door panel and frame.

SEAMLESS
STRUCTURE

CHEMICAL
RESISTANCE

HYGIENIC

WATERPROOF

CORROSION
PROOF

LIGHT WEIGHT

SAFE TO USE

LONG LIFE
EXPECTANCY

YOUR OWN DESIGN

The automatic RTG/KLA x-ray sliding doorset consists of a polyurethane foam filled pressure moulded Glass Reinforced Polyester (GRP) doorleaf hung on an aluminium sliding track. The opening is lined with a fully adjustable aluminium wrap around frame system. The option of x-ray protection to the user defined lead rate (up to 4 mm) is provided with this door system. Designed for non-fire rated applications. Can be fitted to brick or block openings and most other wall materials.

Typical Applications

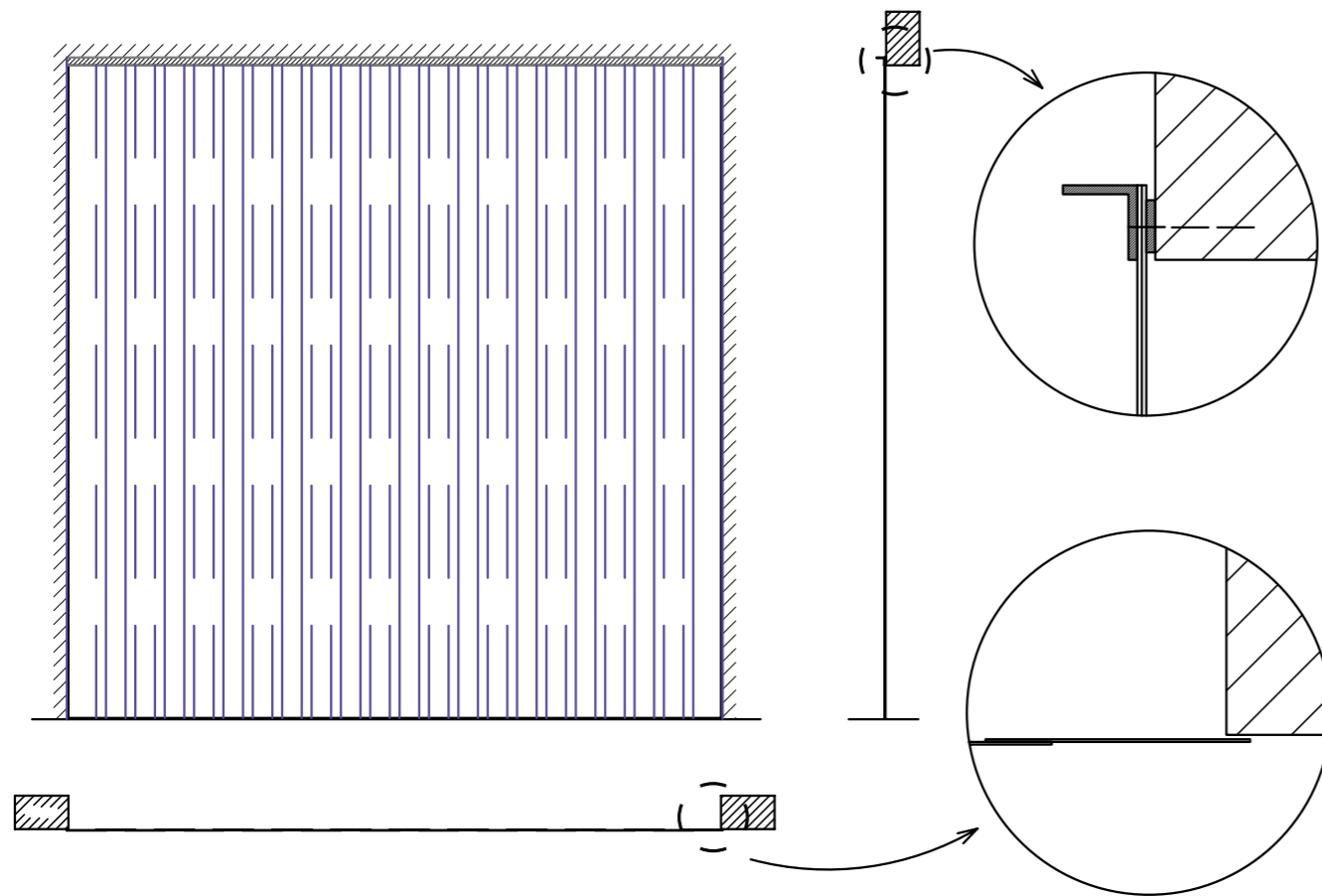
- Designed for use in areas primarily requiring the containment of radiation emissions
- Medical: Radiation Departments, X-Ray Rooms, Dental Surgeries, Laboratories
- Research-Industrial: Laboratories, Production Areas, Cleanrooms
- Educational: University Laboratories and Research Facilities



Automatic RTG/KLA Fire Rated X-Ray Sliding Doors to be approved by local fire authorities. CE marking, certifications and approvals of LAMI doors, read more on page 0.11 or contact us!

Tel: +44 161 924 2217
lamidoors@lamidoors.com
www.lamidoors.com

LAMI GRP door set is a 'design' product; please add & specify your choice of vision panels, threshold, ironmongery etc. Hermetically sealing sliding door also available. See guidance in "ACCESSORIES & MORE".



LAMI strip curtains are for use in door openings where due to high levels of traffic, including trolleys and forklift trucks, conventional doors would be inappropriate. LAMI strip curtains allow the free flow of traffic but at the same time protect the building against cold, wind and rain. They can also help to control noise and dust transmission. Strip curtains are custom made to the required door opening size. Manufactured from transparent PVC plastic, the material is suitable for use at temperatures down to -50°C on internal or external applications.

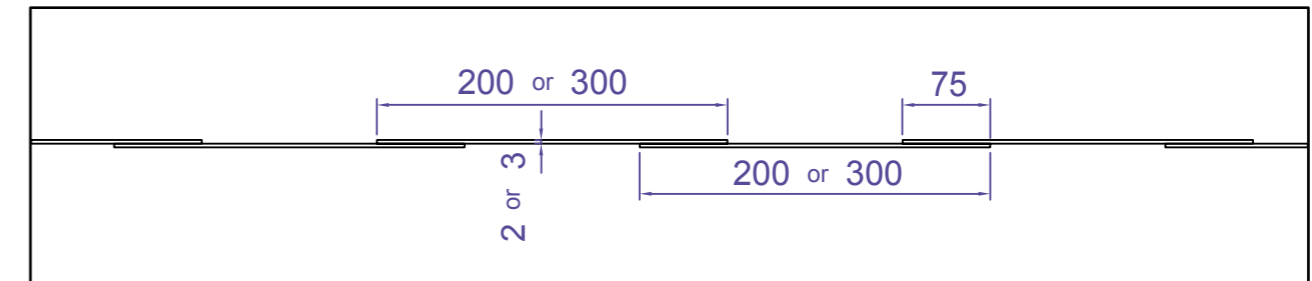
Key Features:

- Waterproof, shock resistant, flexible door construction
- Transparent, safe and easy to use, self-closing
- Good durability even at low temperatures
- Custom made to the required door opening size

Typical Applications:

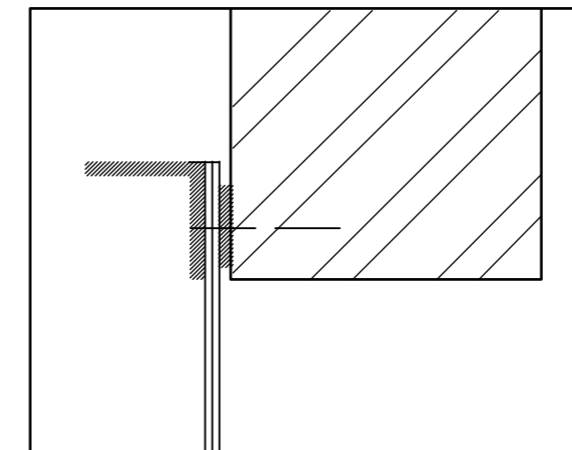
Manufacturing: Industrial Production, Stock Premises, Non-heated and Chill Room Areas.
Stores and Markets: Chill Rooms and Stock Areas.
Agricultural Production: Stock Areas, Agricultural Buildings and Garages.

LAMI strip curtains comprise 2 or 3 mm thick transparent PVC strips (CF-50C) 200 or 300 mm in width. The strips overlap by 75 mm on to each other. The length of the strips will be matched to the customer's requirements and dependent on the door opening size.

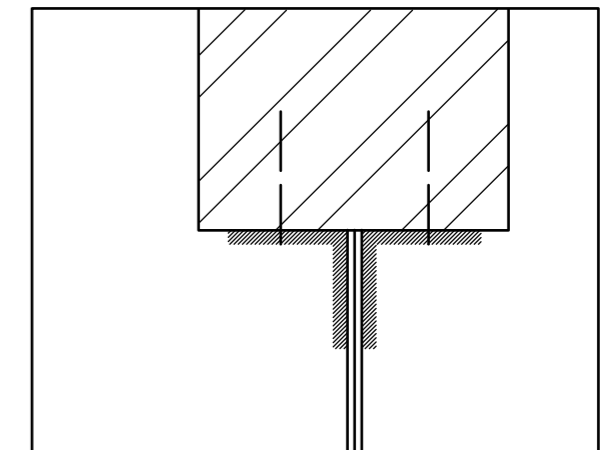


LAMI strip curtains are hung on an aluminium profile carrier. Installation is by wall or ceiling fixing.

WALL INSTALLATION



CEILING INSTALLATION



The cold crack of LAMI strip curtains is down to -50°C .

For applications where the strip curtains are exposed to exceptionally hard mechanical wear, heavier duty reinforced fabric PVC strips are also available.



BENEFITS OF ANTIMICROBIAL DOORS

The bacteriostatic effect of antimicrobial products has been tested according to the testing standard ISO/FDIS 20645.

The test results have proved, that the surface material of the Antimicrobial LAMI doors has an excellent bacteriostatic effect, specially against microbes like **Staphylococcus aureus**, **Escherichia coli** and **Aspergillus niger**.

- The antimicrobial protection is built into the Gelcoat surface of the door leaf. It is not water soluble and the protection will not wash or wear off.
- The antimicrobial ingredient inhibits the growth of bacteria, mould and mildew on the surface of the door and it provides further protection against contamination between the cleaning periods.



EXCELLENT
BACTERIOSTATIC
EFFECT

ANTIMICROBIAL
DOOR SURFACE

SEAMLESS
STRUCTURE

CHEMICAL
RESISTANCE

HYGIENIC

WATERPROOF

CORROSION
PROOF

LIGHT WEIGHT

SAFE TO USE

LONG LIFE
EXPECTANCY

YOUR OWN DESIGN

The Antimicrobial LAMI doors have been designed for environments requiring the highest standards of hygiene, water and moisture resistance and wear resistance. Typical environments for the antimicrobial doors are public premises such as hospitals, schools and offices with a lot of pedestrian traffic.

The antimicrobial ingredient is built directly into the door leaf's surface material which inhibits the growth of a broad range of bacteria, mould and mildew and protects the door from damaging effects.

The antimicrobial feature is optional. On request all LAMI GRP door types, single action doors, fire rated doors, double action doors (except PK doors) and sliding doors can be specified with the antimicrobial feature.

Typical Applications:

- Hospitals and Care Centres, Animal Clinics
- Pharmaceuticals, Food Industry, Laboratories and Cleanrooms
- Facilities with a lot of pedestrian traffic
- Facilities requiring the highest standards of hygiene



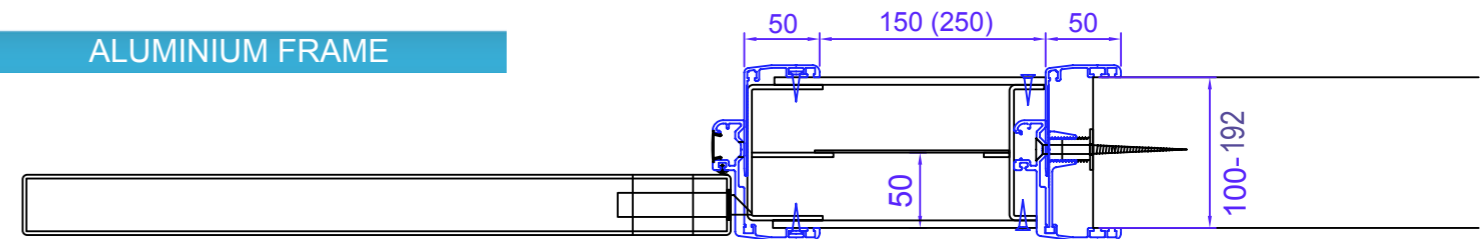
Tel: +44 161 924 2217
lamidoors@lamidoors.com
www.lamidoors.com



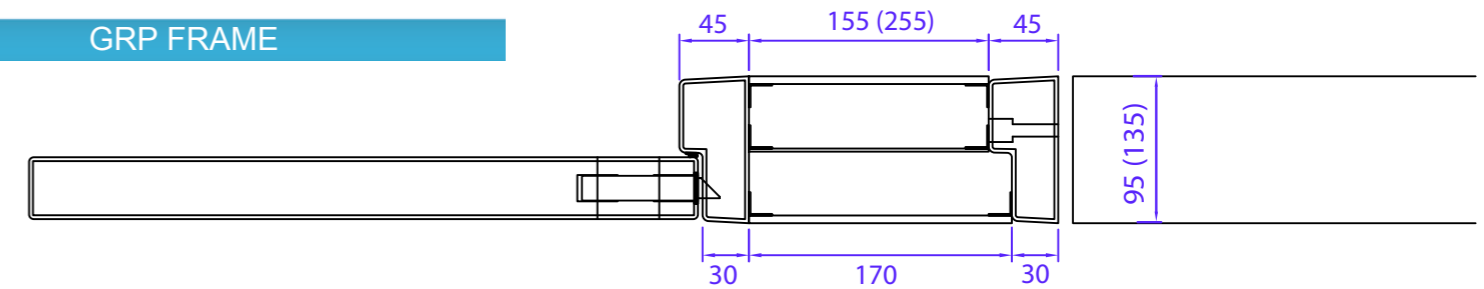
Side panels can accommodate switches, controls etc – items which are normally wall fixed

When required a new panel can be easily placed to answer changing requirements

ALUMINIUM FRAME



GRP FRAME



LAMI electric cable consoles enable both functionality and co-ordinated look for the building design. The LAMI product range includes the traditional electric cable consoles as well as fire rated F15 and F30 electric cable consoles tested according to European Standard EN 1634-1:2008.

Traditional electric cable consoles

- KAS SP
- KMS SP

Fire rated electric cable consoles:

- F15 KAS SP
- F30 KMS SP



Tel: +44 161 924 2217
lamidoors@lamidoors.com
www.lamidoors.com

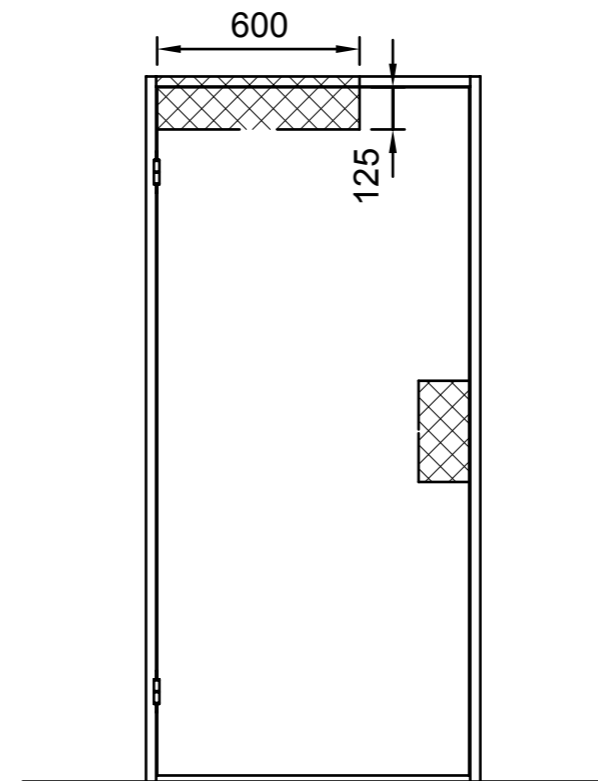
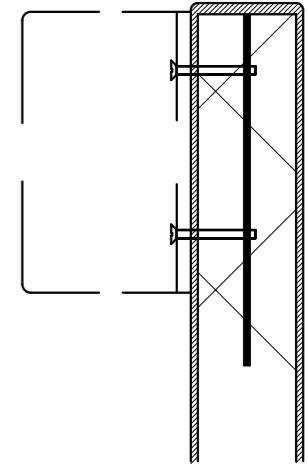
Traditional electric cable consoles available for aluminium frames and GRP frames.

Fire rated F15 and F30 electric cable consoles tested according to European Standard EN 1634-1:2008.

Door Closers and Automatic Opening Devices



The fastening of the closer and opening device is carried out using 3 mm thick steel plate in the middle of the door leaf. The width and height are in accordance with the type of chosen device.



It is possible to include a reinforcement for a pull handle or door automation device or other ironmongery within the door leaf in order to enable a proper installation. The reinforcements are placed according to customer's choice/design.

The closer and opening devices can be fastened on the pull or the push side of the door leaf or the frame. Depending on the installation option reinforcements are included in the door leaf or frame for the screw fixing.

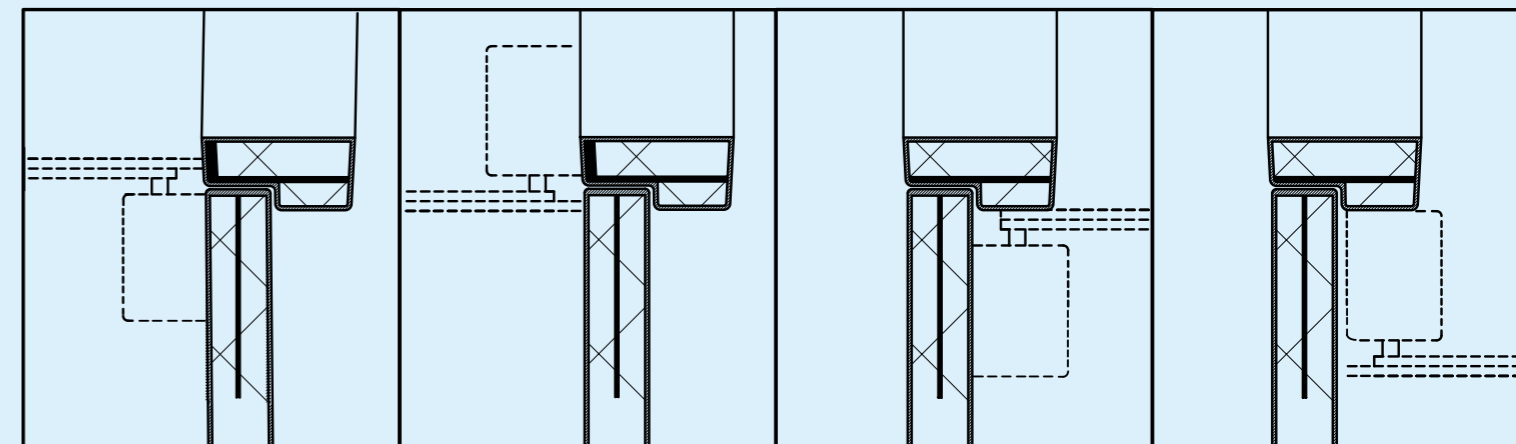
LAMI doors can be equipped with various closer types and automatic operators. All to client specification.

There is a reinforcement inside the door leaf and frame for fixing of closers or devices with bolt through fixing.

We wish to offer comprehensive solutions for our clients. Therefore we are pleased to supply them according to client specification.

Options available for automatic opening devices for example:

- Abloy
- Besam
- Dorma



Fastening on the door leaf on the pull side

Fastening on the frame on the pull side

Fastening on the door leaf on the push side

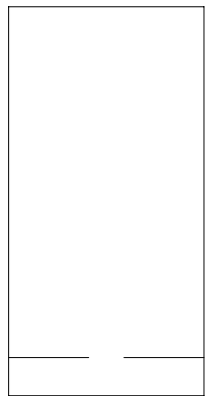
Fastening the frame on the push side

The standard doorleaf sizes of pressure moulded LAMI GRP doors are detailed in the table shown on the individual data sheets for each door type. Non-standard sizes can be provided by reducing or increasing doorleaf height and width or joining doorleaves together.

The doorleaf can be reduced either in height or in width without noticeable loss of the strength. However it is not recommended to reduce both height and width of the same doorleaf as it may affect its integrity.

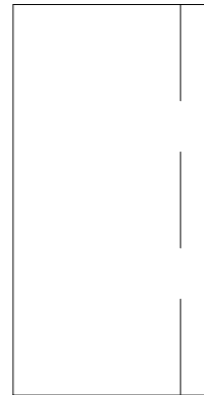
Increasing doorleaf height and width or joining doorleaves together is best applied to the doorleaves with a polyurethane core. A minimal seam is visible on the face of the door, which is fully sealed with matching colour and material. The joints of the fire rated doors or sound insulation doors may require additional reinforcement visible to the perimeter of the doorleaf.

REDUCED DOORLEAF HEIGHT



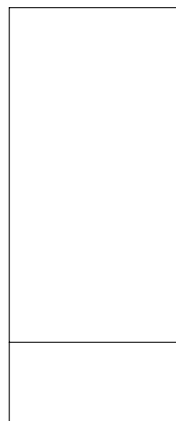
The doorleaf height can be reduced at the factory to any requested dimension. Cut edges are finished to their original standard with no visible seam.

REDUCED DOORLEAF WIDTH

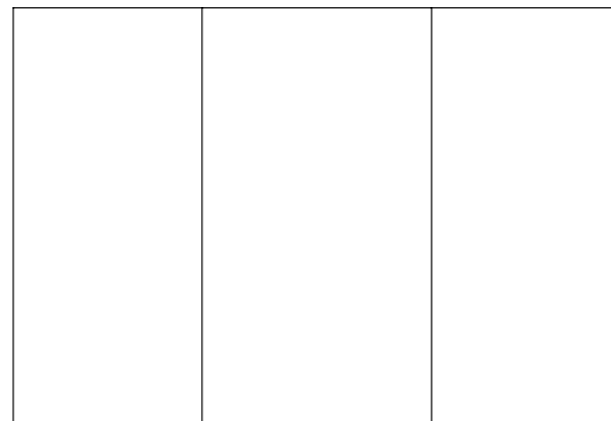


The doorleaf width can be reduced at the factory to any requested dimension. Cut edges are finished to their original standard with no visible seam.

INCREASED DOORLEAF HEIGHT AND WIDTH AND ADJOINED DOORLEAVES



The doorleaf height can be increased at the factory to any requested dimension using combinations of the standard and cut doorleaf sizes.

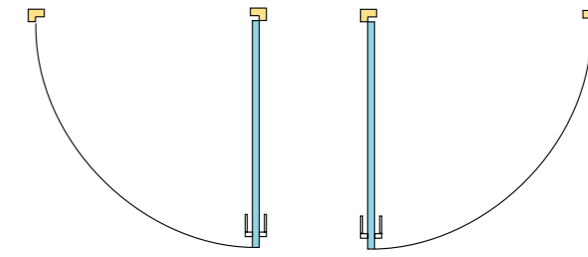


The doorleaf width can be increased at the factory to any requested dimension using combinations of the standard and cut doorleaf sizes. Because the doorleaves are lightweight by nature, whole doorleaves can be joined together to produce exceptionally wide sliding doors.

Handing states which direction a door opens. Handing references are shown below. Consider sliding doors for narrow and small spaces where hinged swing doors are not suitable.



SINGLE DOOR

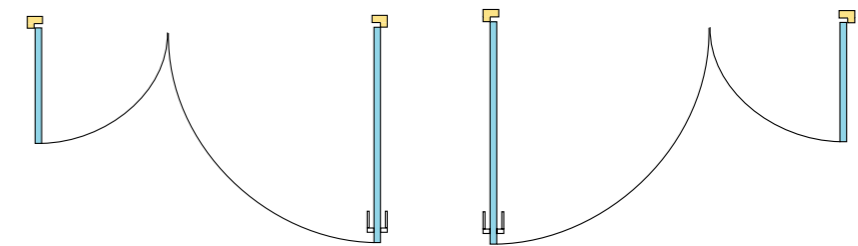


Right Handed

Left Handed



LEAF AND A HALF

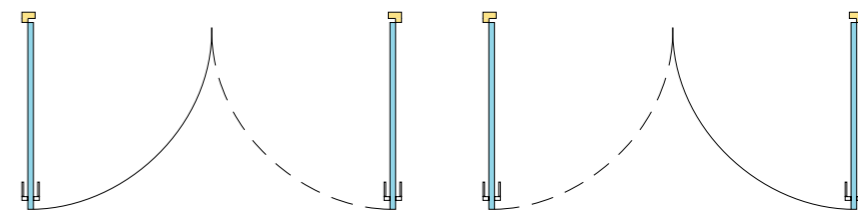


Right Hand leading

Left Hand leading



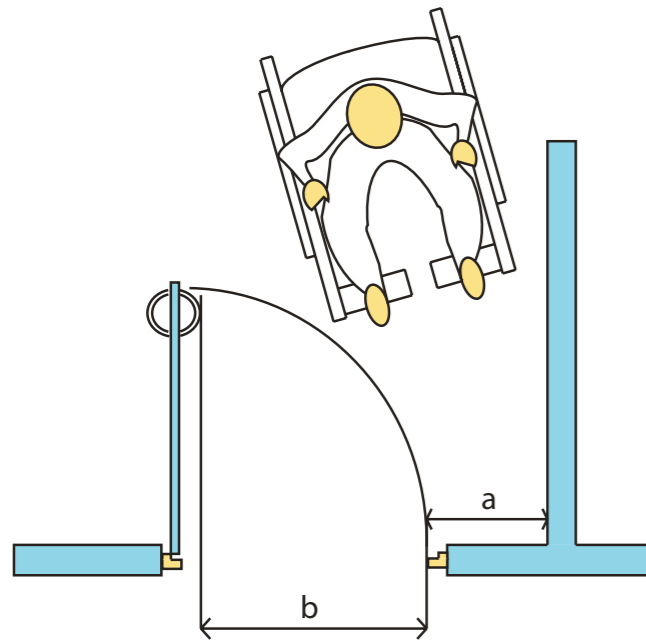
DOUBLE DOORS



Double doors: right hand active

Double doors: left hand active

Light weight of GRP doors allow ease of operation with wider door panels. They can also accommodate a wide range of accessories to assist with operation. The extension of handles etc to the 'free' opening width should be considered.



Generally it is recommended and required that effective clear opening (b) should be at least 850 mm according to UK DDA regulations.

Side clearance (a) to be at least 300 mm (may be reduced if door is opened by remote automatic control).





LAMI Single Action Doors:
Acid proof s/s lift-off hinge
120x34

- Product Code 3164 (right)
- Product Code 3229 (left)

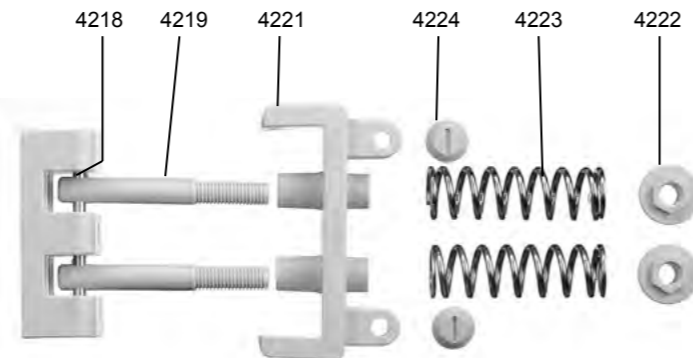


LAMI Single Action Doors:
Flush mounted acid proof
s/s lift-off hinge Lami 110x34

- Product Code 1521 (right)
- Product Code 1522 (left)

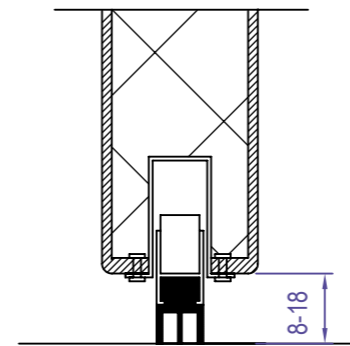


LAMI Double Action Doors:
Hinge with hold open facility
• Product Code 2519
Hinge with non-hold open facility
• Product Code 2519ns.



LAMI Double Action Doors:
LAMI hinge 2519 components

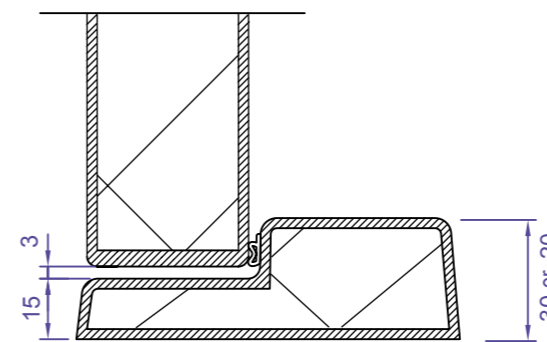
SINGLE ACTION DOOR THRESHOLDS



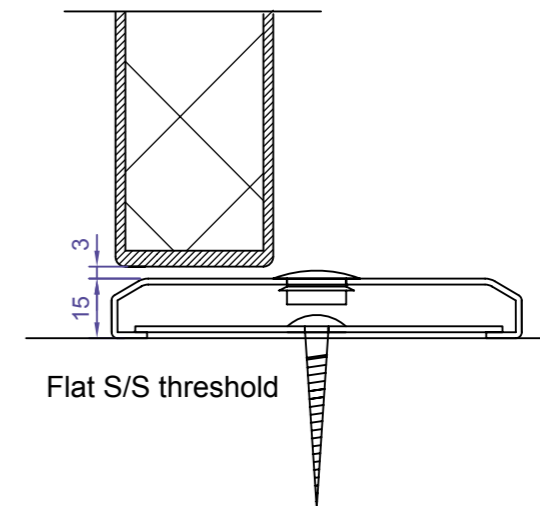
Automatic spring seal F30/dB30

OTHER THRESHOLDS
ALSO AVAILABLE

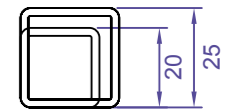
SINGLE ACTION DOOR ALTERNATIVE THRESHOLDS



GRP threshold (depth 95 mm or 135 mm)

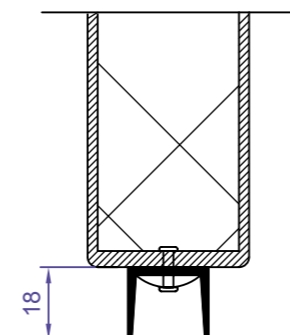


Flat S/S threshold

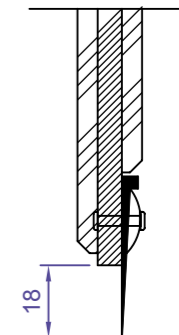


S/S tube threshold
(20x20 mm or
25x25 mm)

WIPE SEALS



Double wipe seal used mainly
with KKH and KH doors

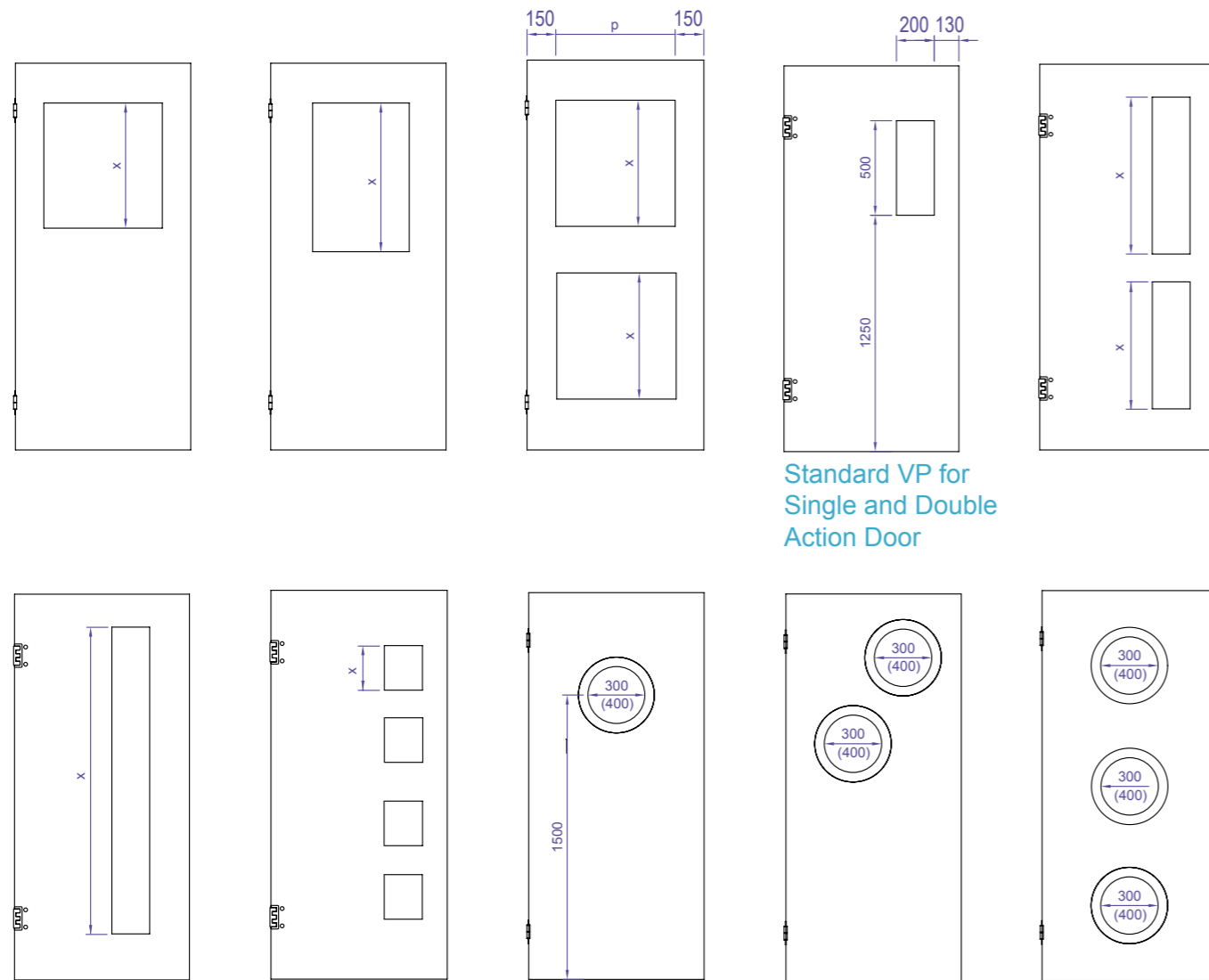


Single wipe seal used mainly with SV doors

LAMI doors can be supplied with client specified vision panels. We are pleased to help you to choose the most suitable vision panel for your needs.

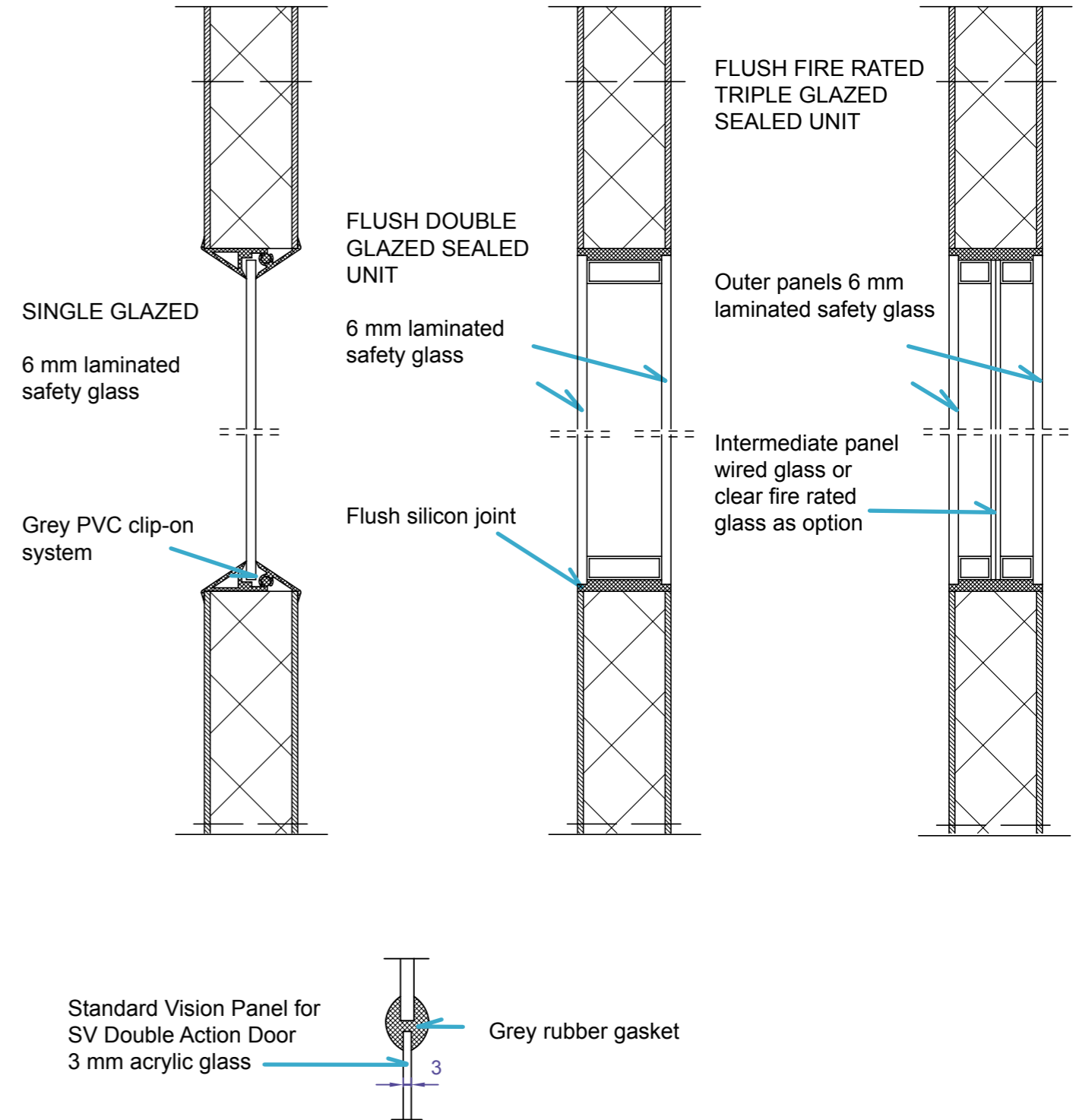
The vision panel sizes for the fire rated doors are determined by the fire tests performed. Other vision panel sizes are to be approved by the local fire authorities.

The most common vision panels of LAMI-doors:



Maximum Vision Panel Sizes: (Not applicable to Fire Rated, Acoustic or X-ray Doors):

Door	7M	8M	9M	10M	11M	12M	13M
p	325	425	525	625	725	825	925
x	according to customer's specification						



LAMI doors long life expectancy can be further extended by correct usage of projection plates and edges. Standard materials include stainless steel, aluminium and polyethylene. Most materials are available to client choice.

GREY 4 MM THICK POLYETHYLENE FACE PROTECTION



BRUSHED STAINLESS STEEL 1 MM THICK KICK PLATE



GREY 4 MM THICK POLYETHYLENE BUMPER



OUR DOOR SPECIALISTS
WILL HELP YOU TO FIND
THE RIGHT KIND OF
PROTECTION PLATE AND
DESIGN PLATE FOR YOUR
LAMI DOOR

DESIGN PLATES

LAMI doors can be supplied with S/S or polyethylene protection plates custom made according to your design.



The structure of LAMI door leaf is completely seamless. Therefore the edge protection is always attached to the surface of the door.

STAINLESS STEEL EDGE PROTECTION



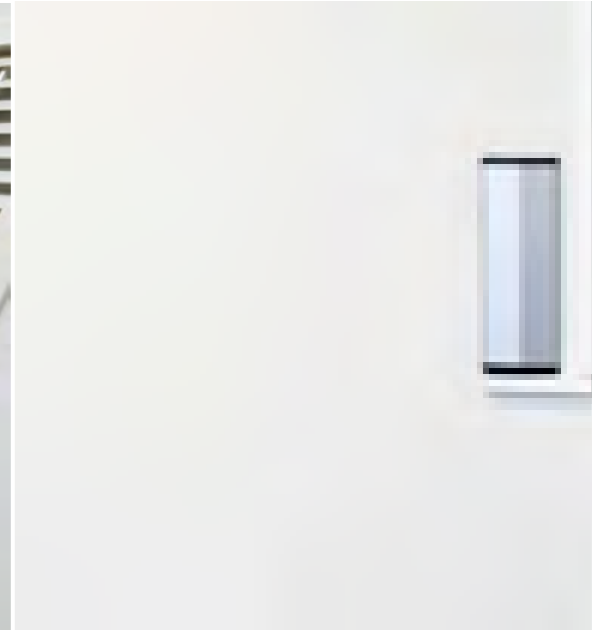
ALUMINIUM EDGE PROTECTION



FINGER PROTECTION (double action doors)



LAMI GRP door set is a 'design product'; majority of available door furniture is suitable. Door sets are fully factory fitted / prepared to accommodate specified accessories.



LAMI DOORS have been designed for use in conditions where conventional door constructions and materials are unsuitable. Even in severe conditions, LAMI GRP doors will provide decades of trouble-free operation under normal use. Regular care and attention will ensure that the life of the door is extended to its optimum.

INSTALLATION

LAMI GRP doors are no more difficult to install than conventional doors, however it is vital that each door is fitted correctly to ensure optimum performance. Every delivery of LAMI GRP doors includes comprehensive fitting instructions to assist installers in their correct installation. Further assistance can always be gained by calling your LAMI representative. The fitting instructions can also be provided to assist architects at the design stage of a project.

MAINTENANCE

LAMI GRP doorleaves are practically maintenance free. They only require cleaning using any common cleaning agents and spirit based solvents. When pressure washed, take care to prevent the penetration of water through the fixing screws and between the frame and wall construction. Care and attention is predominately concentrated on fittings, locking arrangement and accessories. The correct tightness of fixing screws and the general condition of accessories should be inspected annually. In heavy use it is recommended to make more regular inspections. You can find specific maintenance instructions relevant to each LAMI door type on opposite page of this leaflet.

Every delivery of LAMI GRP doors includes comprehensive Cleaning Instructions. The document can also be downloaded from our Website: www.lamidoors.com

RECYCLING

Doors, frames and metallic parts can be recycled. Please contact the manufacturer for instructions. All the products manufactured by LAMI DOORS group are packaged in eco-friendly and recyclable materials.

The general condition of LAMI GRP doors should be inspected once a year. In heavy use it is recommended to make more regular inspections. A summary of general inspections as follows:.

SINGLE ACTION DOORS

- general condition of hinges, locks and accessories including tightness of screws
- vision panels and their fitting
- function and fixing screws of the closers
- frame fitting screws
- frame seals, condition and fixing
- condition and fixing of protection plates
- mechanical threshold seals, function and adjustment

DOUBLE ACTION DOORS

- general condition of hinges, locks and accessories including tightness of screws
- vision panels and their fitting
- condition and fixing of protection plates
- frame fitting screws
- frame seals, condition and fixing

The double swing door hinges do not require lubrication.

SLIDING DOORS

- functionality and fixing of the sliding gear, sliding track and stoppers
- condition of the sliding track cover including fixing screws
- functionality and fixing of the floor guide
- screw fixing of the accessories

The sliding gear does not require lubrication.





MUOVILAMI OY (head office)
+358 20 7281 828

LAMI DOORS UK LTD
Tel. +44 161 924 2217

www.lamidoors.com
lamidoors@lamidoors.com