

- Easy and secure handling of structural components of up to 180 kg
- Easy assembly of structural components
- Ideal for transport within company premises and on construction sites
- Can be disassembled easily, fits in almost any estate car

**Bohle**



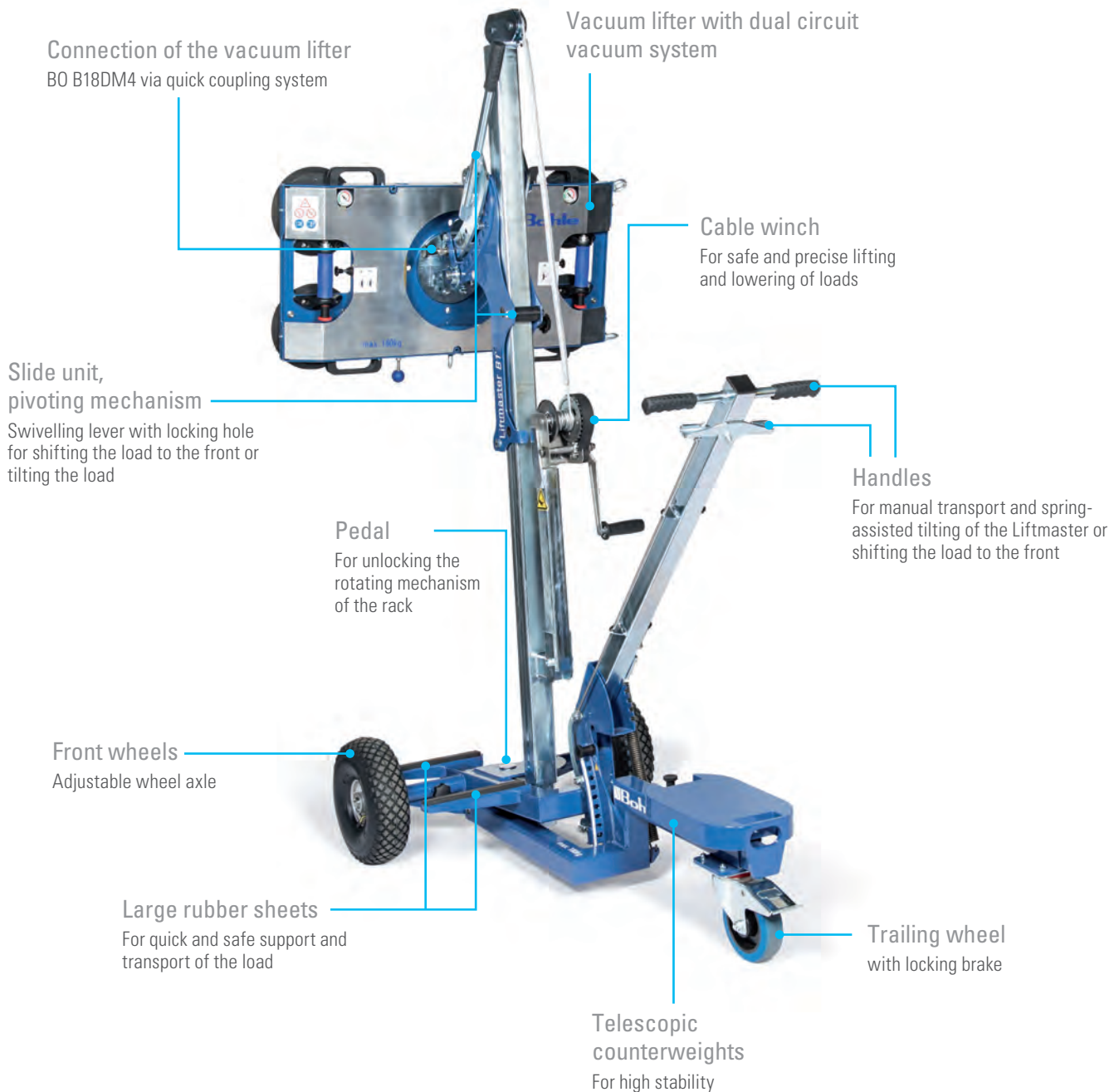
**Liftmaster**

**Liftmaster B1**  
**Innovative Handling Aid**

# Innovative Handling Aid

# Liftmaster

The tendency towards increasingly larger glass constructions in architecture and the growing use of 2-gap insulating glass pose new challenges for glass processors and assemblers: Elements which could previously be moved by two people have now become so heavy that they can hardly be transported manually on site or within company premises any longer. With the Liftmaster B1 Bohle has developed an innovative handling and mounting aid which enables transporting objects of up to 180 kg such as glass panes, window elements or metal and stone sheets easily and safely - by only one person.

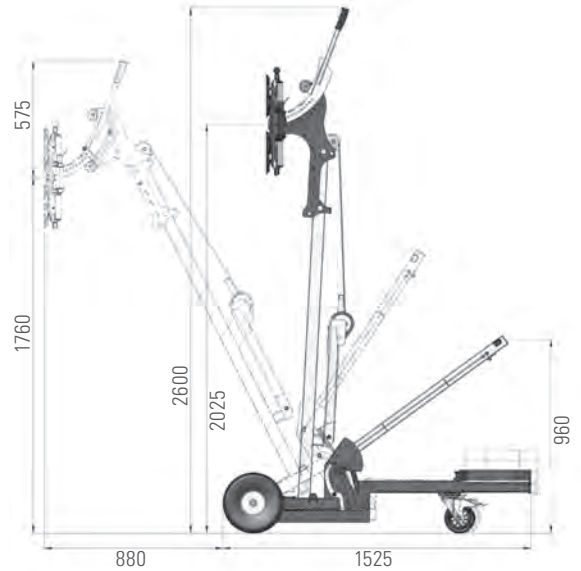
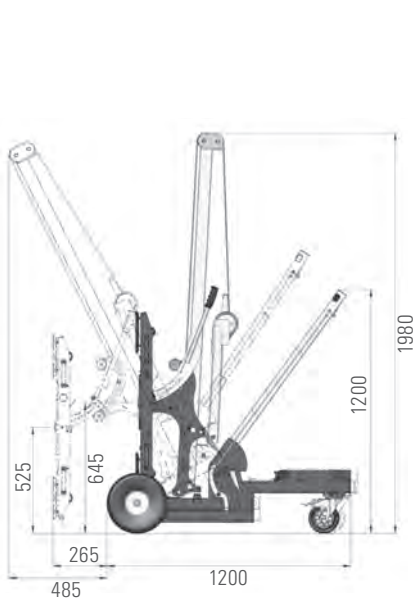




# Liftmaster B1 Lifting System with Dual Circuit Vacuum Lifter



- Easy and secure handling of structural components of up to 180 kg
- Stable construction
- Rack can be rotated and tilted
- Easy assembly of structural components
- Ideal for transport within company premises and on construction sites
- Can be disassembled easily, fits in almost any estate car
- Very compact and manoeuvrable
- Fits through standard doors
- Handle is height adjustable
- Includes vacuum lifter



Art. No.	Length	Width	Height
BO 88.01	1.2 m	0.8 m (with extended axles for widening the gauge 1.1 m)	1.95 m

Art. No.	Description
BO 88.025	Additional counterweight, 25 kg
BO 88.026	Arm with tilting and rotating function for B18DM4 lifting system
SP BT1800	Protective covers for suction pad, ø 220 mm

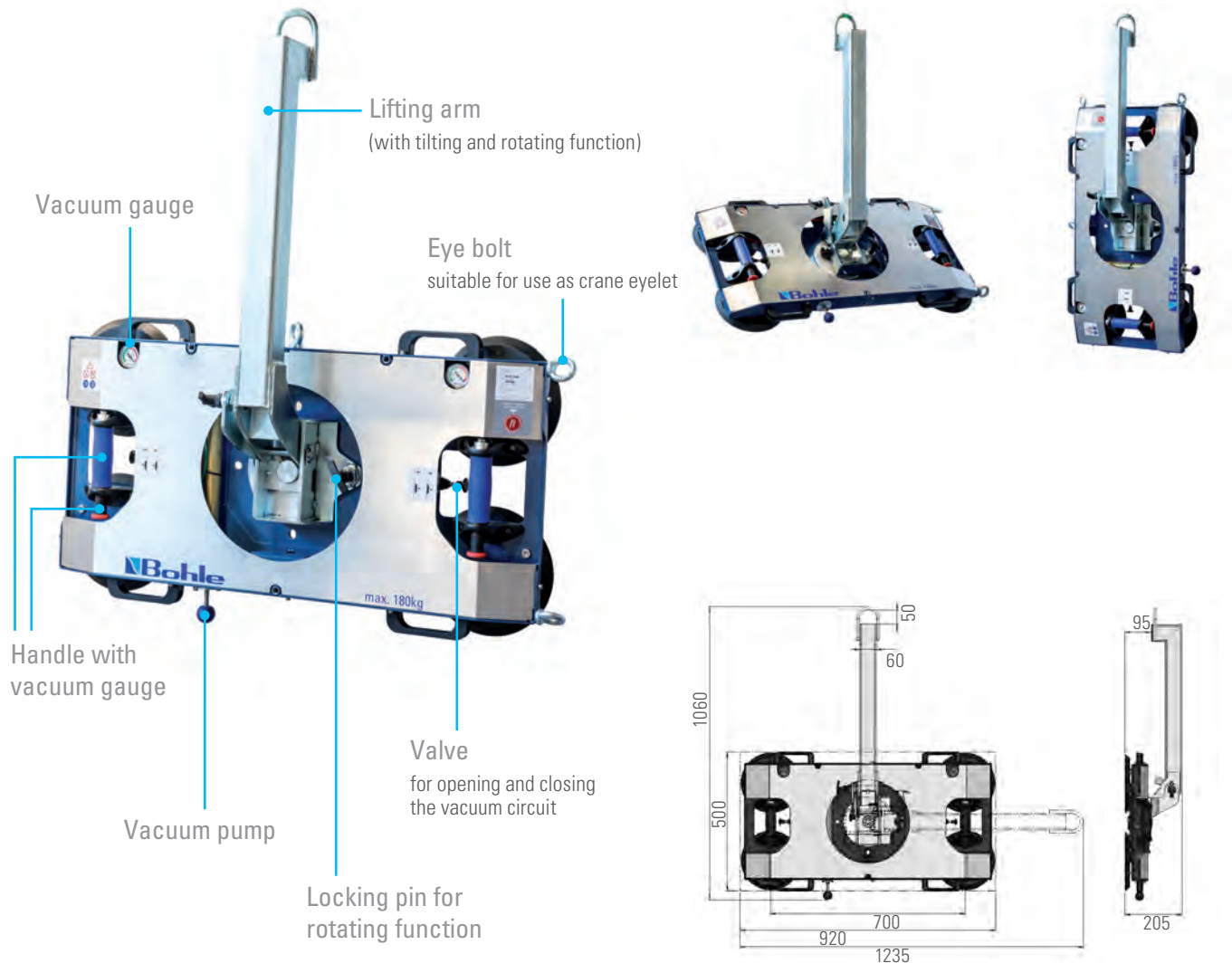


## ▶ Manual Lifting Device



The manual lifting device has no need for an electric pump and is therefore very versatile in its use. A dual circuit vacuum system, reserve tanks, vacuum display and an additional visual vacuum indicator ensure high levels of safety. The manual lifting device stands out due to its very compact construction and low weight.

① Load capacity max. 180 kg · Weight approx. 20 kg · Dimensions 910 mm x 510 mm x 100 mm · Turns optionally by 360° · Tiltable optionally by 90°



Art. No.	Description
BO B18DM4	Manual Lifting Device
SP BT1800	Protective covers for suction pad, ø 220 mm

[www.bohle-group.com](http://www.bohle-group.com)

### United Kingdom and Ireland

Bohle Ltd.  
Fifth Avenue  
Tameside Park  
Dukinfield  
Cheshire · SK16 4PP

T 0800 616151 (toll free)  
T +44 161 3421100  
F +44 161 3440111  
sales@bohle.ltd.uk  
www.bohle-group.com

### Germany

Bohle AG  
Dieselstraße 10  
D - 42781 Haan

T +49 2129 5568-0  
F +49 2129 5568-201  
info@bohle.de  
www.bohle-group.com

### South Africa

Bohle Glass Equipment (Pty) Ltd.  
Unit 3, Graphite Industrial Park  
Fabriek Street,  
Strijdom Park 2125, Gauteng

T +27 11 792-6432  
F +27 11 793-5634  
info@bohle.co.za  
www.bohle-group.com