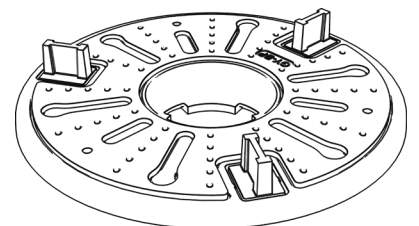
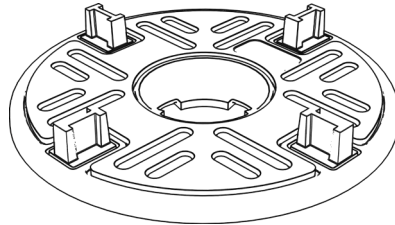
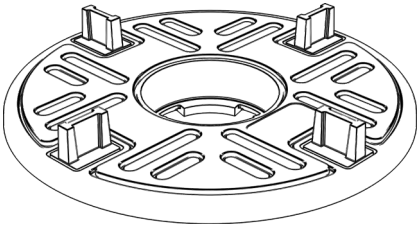




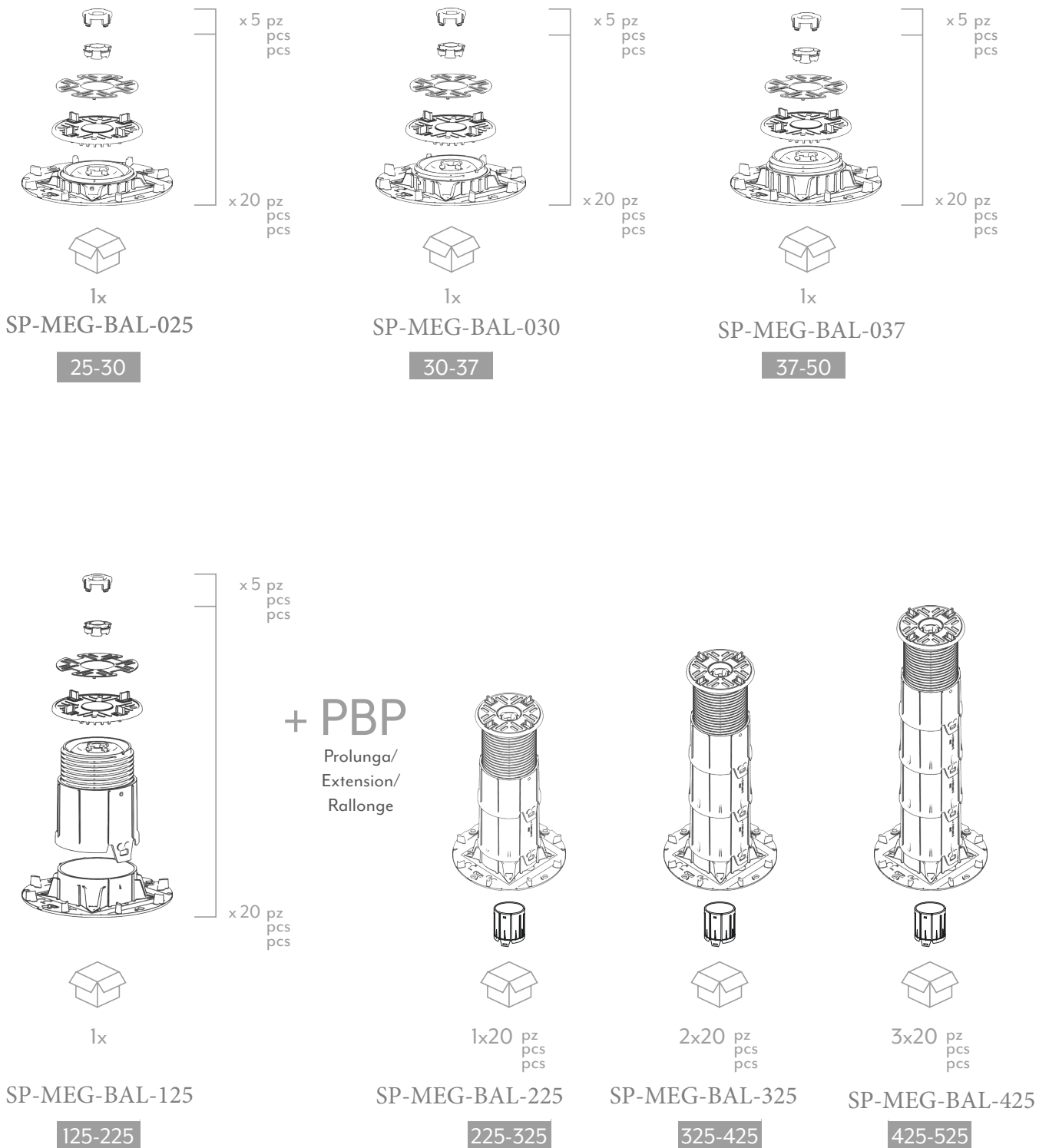
ASSEMBLY
AND
INSTALLATION
INSTRUCTIONS

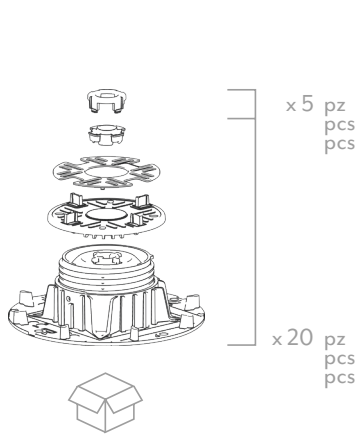
MEGA BALANCE



Mega Balance Assembly 25-1025 mm

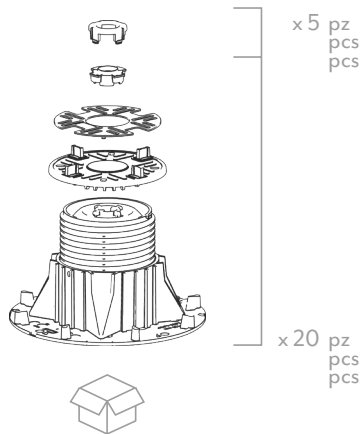
Adjust height by turning headpiece





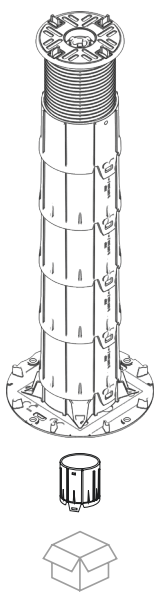
1x
SP-MEG-BAL-050

50-75



1x
SP-MEG-BAL-075

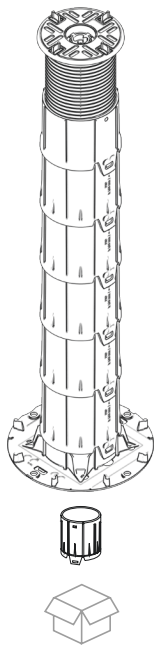
75-125



4x20 pz
pcs
pcs

SP-MEG-BAL-525

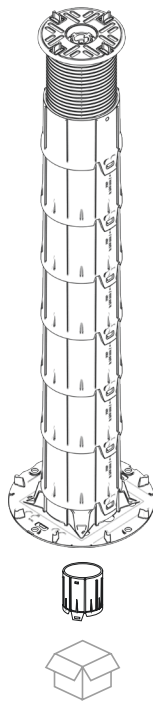
525-625



5x20 pz
pcs
pcs

SP-MEG-BAL-625

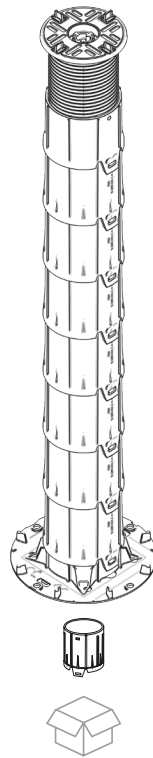
625-725



6x20 pz
pcs
pcs

SP-MEG-BAL-725

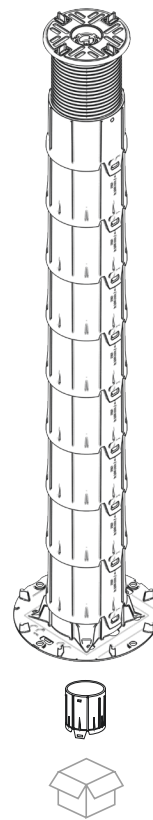
725-825



7x20 pz
pcs
pcs

SP-MEG-BAL-825

825-925



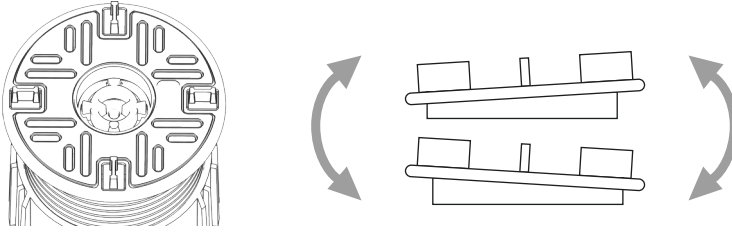
8x20 pz
pcs
pcs

SP-MEG-BAL-925

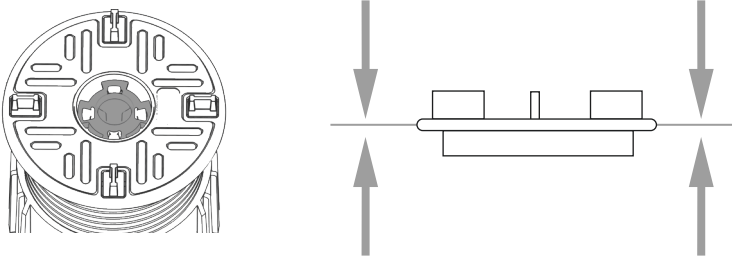
925-1025

SELF-LEVELLING HEADPIECE

USING THE GREY NUT
WITHOUT THE GREY NUT INSERTED
THE HEADPIECE IS SELF LEVELLING

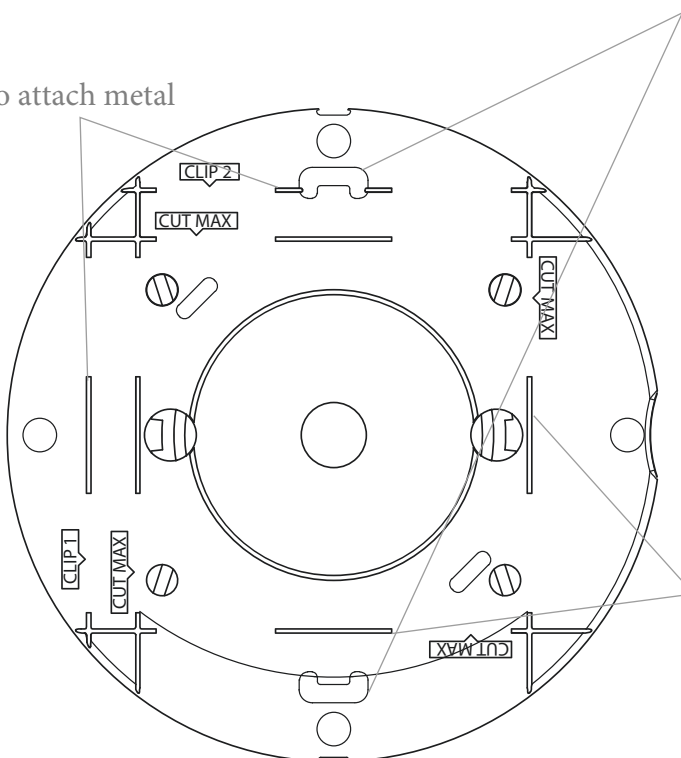


CLICK THE GREY NUT INTO THE CENTRE
OF THE HEADPIECE TO LOCK THE
HEADPIECE



METAL STEP CLIPS INSERTED HERE.

clip line to attach metal
step clips



cut line for
placing up
to wall

THE BLACK NUT

Insert into centre of headpiece. This allows height adjustment of the thread using your hands on stem, where pedestal is under centre of tile, for example.

See overleaf for instructions on adjusting low height pedestals.

THE BLACK NUT

THE GREY NUT

HEADPIECE

HEIGHT ADJUSTMENT
WIRE

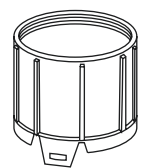
RING NUT, ATTACHED TO
THREAD

EXTENSION SHANK

EXTENSION SHANK

BASE

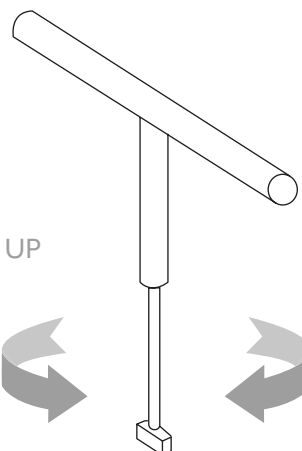
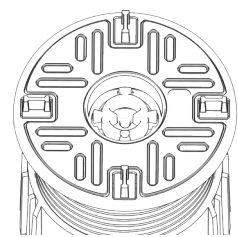
SHORT EXTENSION PIECE



ATTACHED TO
THREAD

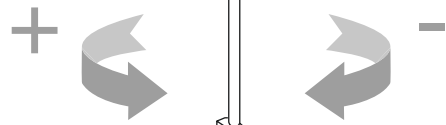
HEIGHT ADJUSTMENT - after tiles are installed.

USE THE YELLOW KEY OR THE SILVER KEY.

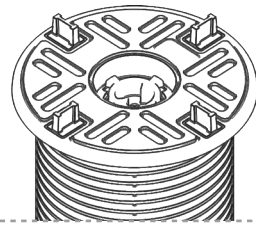


ANTI-CLOCKWISE UP

CLOCKWISE DOWN

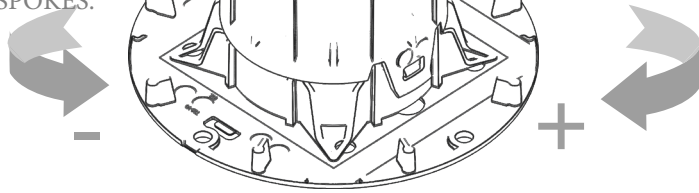
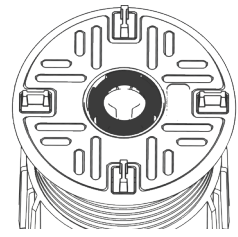


AVOID THE NEED TO LIFT THE TILE WHEN MAKING ADJUSTMENTS.



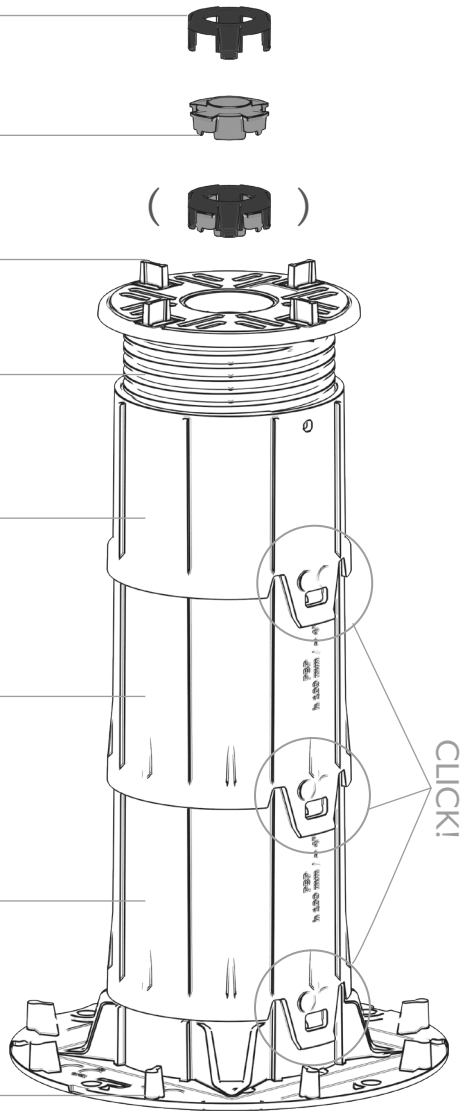
INSERT THE BLACK NUT INTO THE HEADPIECE. TO ALLOW HEIGHT ADJUSTMENT BY TWISTING THE BASE.

ADJUST THE HEIGHT USING YELLOW / SILVER KEY ON SPOKES.

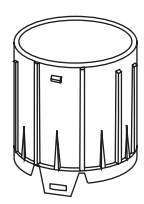


ANTI-CLOCKWISE DOWN

CLOCKWISE UP

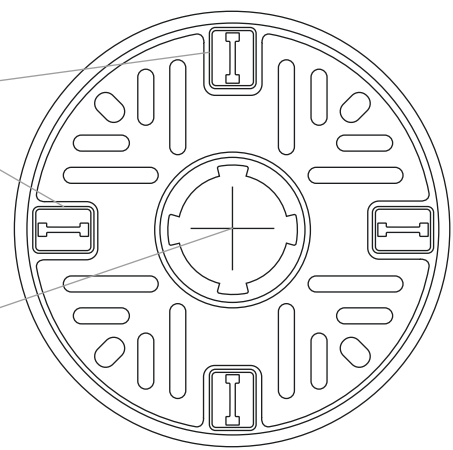


EXTENSION SHANK



PRE-CUT SPACING TABS. EASIER TO SNAP OFF WITH FINGERS OR PLIERS.

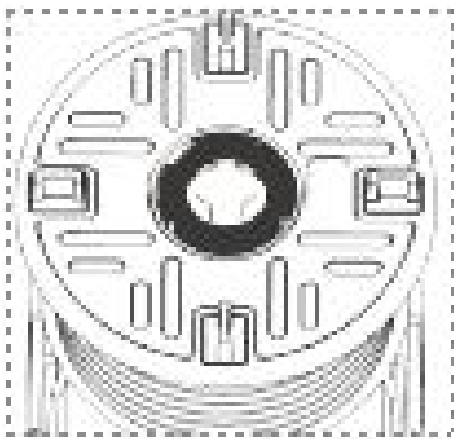
HOLE FOR YELLOW/SILVER KEY AND TO ADD GREY NUT AND BLACK NUT.



THE BLACK NUT FOR SMALLER HEIGHT MEGA BALANCE



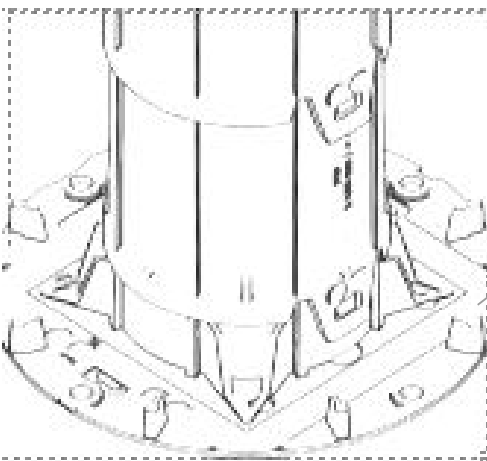
INSERT THE BLACK NUT INTO
THE HEADPIECE.



Mega Balance pedestals are placed under the centre of a tile.

When users are placing Mega Balance under the centre of the tile and adjusting height, installers cannot get their hands into the tight gap between base and stem at low heights, so the Black Nut needs to be added to lock the pedestal thread and allow height adjustment using the spokes on the baseplate.

You can use your hand to turn the spokes and adjust the height.



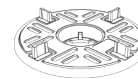
TWIST THE PEDESTAL FROM THE BASE



HEAD TYPES AVAILABLE:



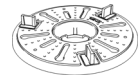
TBP2



TBP3



TY2BP

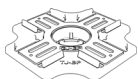


TY3BP

For Tiles

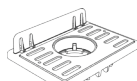


TH-BP



TJ-BP

For Rail System



TD-BP



TX-BP

For Decking

Made with controlled, recycled and recyclable industrial plastics. Take care of the environment: put any surplus material in the plastic container, do not abandon it in the environment, recycling is important for everyone. |