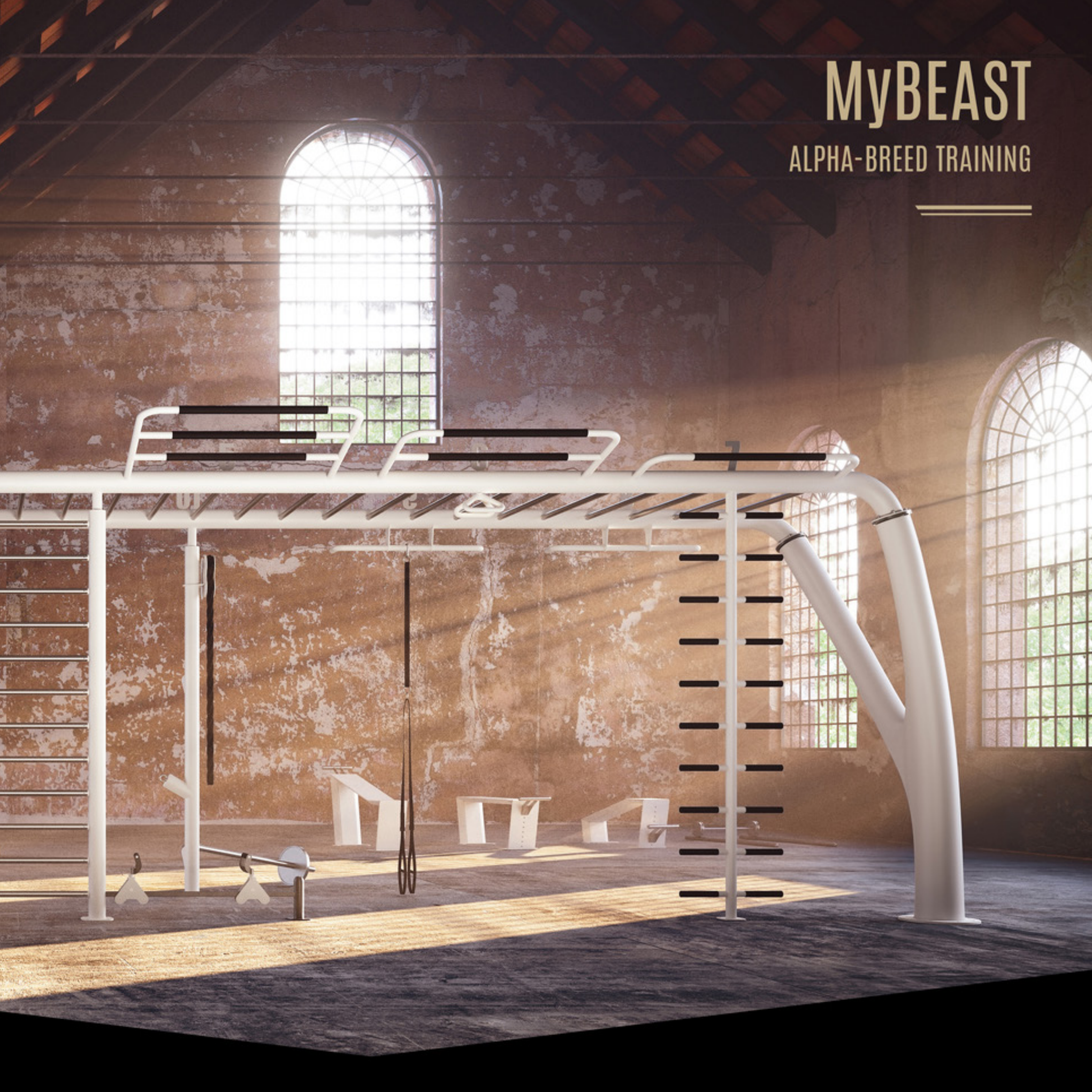


MyBEAST

ALPHA-BREED TRAINING



MYBEAST
ALPHA-BREED TRAINING

MyBEAST

ALPHA BREED TRAINING

The articles shown in the current catalog are covered by an industrial patent and registered brand. Every identical reproduction or equivalent will automatically be considered as plagiarism or forgery and every incautious purchaser of an equal or similar prototype to the articles in the current catalog will be liable to charge and will be followed up by legal process.

INDEX

PHILOSOPHY	4
DESIGN	16
TRAINING	24
INSTALLATIONS	30
COLLECTIONS	64
TECHNOLOGY	80
ABOUT US	86



- PHILOSOPHY -



“Bodyweight training is one of the best ways to build strength and make your body better at doing things it was built to do. It’s more than just using your own weight for resistance. It’s a way to challenge your body, strengthen your will and arm yourself with confidence.”



MyBEAST: WHEN WINNING MATTERS

Engineered for professional athletes and sports teams, MyBeast is a staple of intense, highly-focused and result-charged training.

Conceived to help you advance and sculpt your body, build strength, power, agility, stamina & character, MyBeast Innovative Workout System brings together the best of sports science, functional training and performance-driven design.

THE BIGGEST SECRET IN BODYWEIGHT TRAINING



Bodyweight training has become widely popular amongst elite athletes, special forces, top trainers and people looking to develop core strength, burn fat, get in shape and prepare for competition.

MyBeast is an EVOLUTION in a bodyweight training, stripped down to its fundamentals and condensed into a SINGLE high-performance fitness installation.

ACHIEVE GREATNESS. STAGE-BY-STAGE.

Featuring over 12 workout stations, called Stages, the size of MyBeast can vary from 4.5 to 10,5 meters. The number of stages and their order is highly customizable for each installation.

This makes MyBeast versatile, effective and adaptable to different sport disciplines, fitness goals and personal workout routines.





HOW DOES IT WORK?

- Each workout routine can be done in a systematic, personalized and extremely efficient manner. There is no need to change equipment.
- The training can be done in as little as 15-30 minutes -a fraction of the time of a 'regular' workout-.
- Every workout targets all major and minor muscle groups while engaging both the aerobic and anaerobic systems.

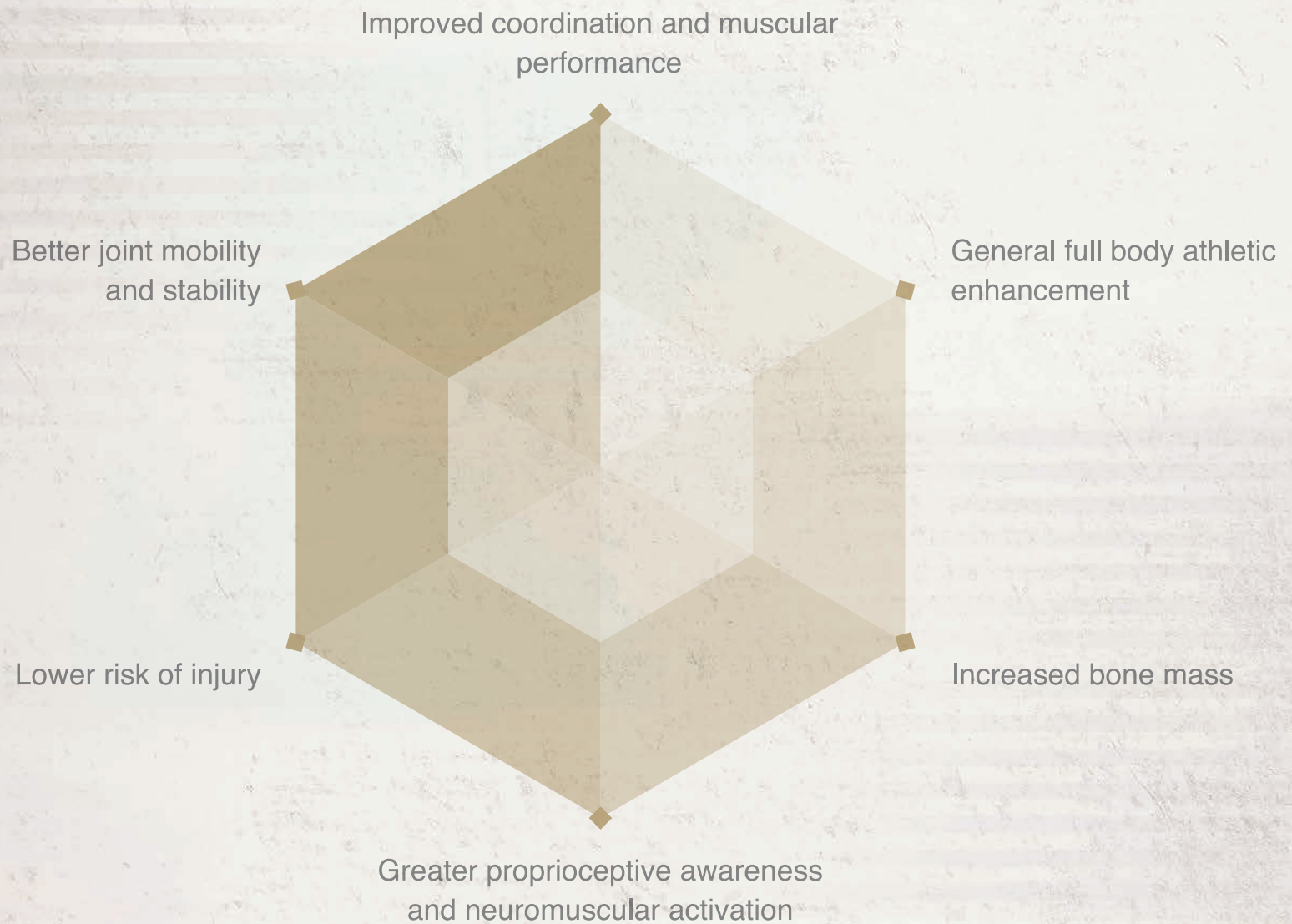


GET BETTER PREPARED FOR COMPETITION

Since the beginning of time man has tried to get stronger, faster and better prepared for a highly demanding, often hostile environment. Natural movements like jumping, pulling the body up, climbing helped him gain advantage in combat, escape danger, engage in ritual dances, gather food or win admiration and respect amongst the crowd.

MyBeast Training Protocol has been engineered to unleash this primal energy and help you get stronger and more agile by triggering the major muscle groups with a mix of high-energy explosive exercises and fundamental athletic movements.

HOW IS HIGH-INTENSITY BODYWEIGHT TRAINING BETTER?



Technology, Bodyweight Training and HIIT remain the hottest Fitness Trends among industry professionals, top sports teams and millions of fitness practitioners.

The American College of Sports Medicine (ACSM)



WHO WAS MYBEAST DESIGNED FOR?

MyBeast is not just an installation.

It's the unstoppable energy, the beast, the warrior inside of you that needs to be set free. It's the strength, determination, and primal instinct to win. It's the unstoppable drive to succeed. The need to prove to yourself that you CAN. Not because others expect you to, but because you worked harder than anyone else for it.

MyBeast is not for everyone. Only for those, prepared to commit. We call them the Alpha Breed.



WHO IS ALPHA-BREED?



They are modern day warriors. They are the true leaders who inspire others to strive for greatness. Kids imitate them and aspire to their body types. Amateur fitness enthusiasts look up to them. They are people who stick to their goals longer, push themselves further, expect more from their performance and their training equipment.

They are the Alpha-males and females.

And, finally, there is a training equipment that is made specifically for Alpha-Athletes - versatile. Solid. Legendary.



- DESIGN -

*“MyBeast has been designed around three primary concepts:
personalization, solidity and instinct.”*

A TRIBUTE TO INSTINCT AND INDIVIDUALITY

MyBeast has been designed around three primary concepts: **personalization**, **solidity** and **instinct**.



Unparalleled personalization is achieved through the customization of the number of stages, their order, choice of materials and accessories in addition to a wide range of exercises developed for different levels of preparation, training time available and specific fitness goals.



Solidity and **exceptional resistance** to elements is guaranteed by the use of top-of-the-line, innovative materials, including high-performance concrete, supreme quality steel and a wide range of world-class sports flooring surfaces.



Intelligent design of MyBeast connects with the body on a more intimate, primal level, triggering the body's instinctive drive to move, become stronger... and evolve to new levels of greatness.

All this creates a tangible difference in how MyBeast looks, feels, performs and how your mind and body reacts to it.
It's truly a tribute to men and women ready to commit to excellence.







BEAUTY IN PERFORMANCE

There is an undeniable beauty in a magnificently timed run, a perfectly placed free kick, or smoothly executed pull up. Some call it “poetry in motion.”

With MyBeast we’ve tried to enhance the beauty of performance, by maximizing the efficiency of every single stage.

We’ve also eliminated unnecessary transitions from one piece of equipment to another and focused on MyBeast’s contemporary design that:



triggers the body’s instinctive drive to move



doesn’t distract from the main purpose of the workout



highlights athletes’ performance and makes the training feel smoother.

BEAST IN DETAILS

Great design is revealed in almost obsessive care for details and when it came to designing MyBeast there is really nothing we've left to chance.

The core structure is made using an innovative material in order to achieve the solidity and indestructible properties of concrete together with the resistance and tensile strength of steel. Each Stage and stainless steel accessory has been hand-polished to make it flawlessly smooth to the touch. All the manufacturing is done 100% in Italy, benefiting from substantial industrial expertise and a craftsmanship-grade quality.

Then, to create an even more immersive training experience we enhanced MyBeast with proximity-based technologies and asked top fitness trainers to develop specific exercises for each Stage.





THE RESULT?

A monolithic-looking, exceptionally strong structure that can be customized in

479,001,600

ways.



- TRAINING -

“The MyBeast training system taps onto the champions’ instinctive drive to push their limits and improve their performance. Created by the world’s best professionals, each workout is designed to be short, intense, personal and result-oriented. It strengthens the body and character.”

HOW IS HIGH-INTENSITY BODYWEIGHT TRAINING BETTER?



INNOVATION

The world's first 'connected' stage-based fitness concept made both for the outdoors and indoors.



CUSTOMIZATION

Intuitive form that can be customized to athletes' lifestyles, fitness goals and workout space.



GROUP TRAINING

The possibility to train in groups to boost team-spirit, improve performance and increase engagement.



SCIENTIFIC SUPPORT

Workout stage-by-stage protocol studied for short, intense, total-body workout routines.



SOCIALIZATION

Proximity-based technologies in combination with an app make every workout smart, interactive and social.



MULTI-TARGET

Developed for men and women, sports team or single individuals, professional athletes and beginners.

TRAIN WITH PURPOSE

Repetition is mother of excellence. The most effective exercises turn into workouts. Workouts turn into training routines. These training routines, like sacred combat rituals, are performed day in and day out, until they become as natural as breathing.

For every athlete these rituals will be different. They will vary depending on wellness goals, sports disciplines, time available or number of people that train together.



WHY COMPROMISE?

Designed with respect for individuality and diversity of workout rituals, MyBeast dares you to create your own signature training and use it as a base for excellence. After all, the workout equipment should adapt to your needs, your workout routines and your training style, not vice versa.

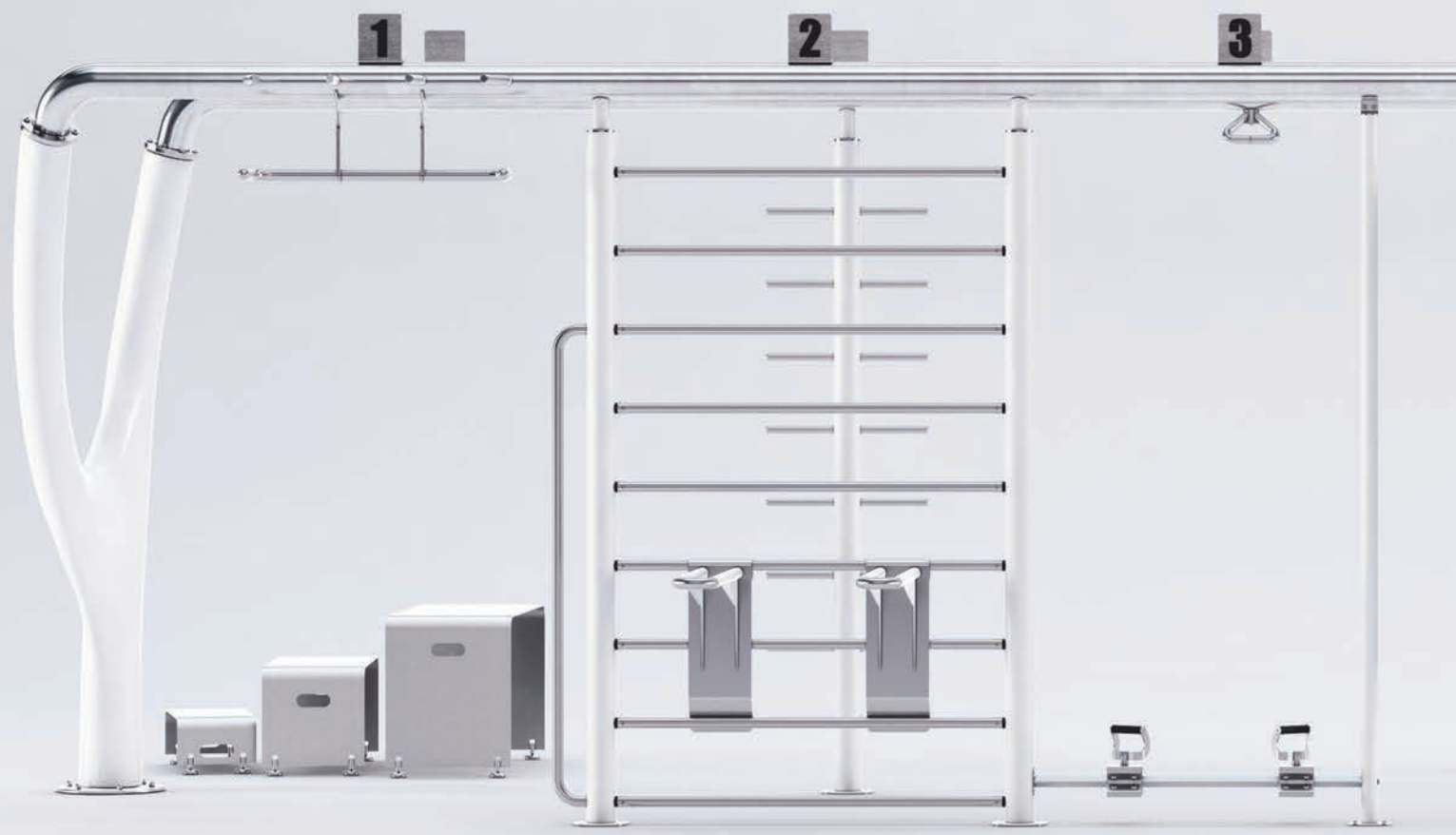


360 FITNESS SOLUTION

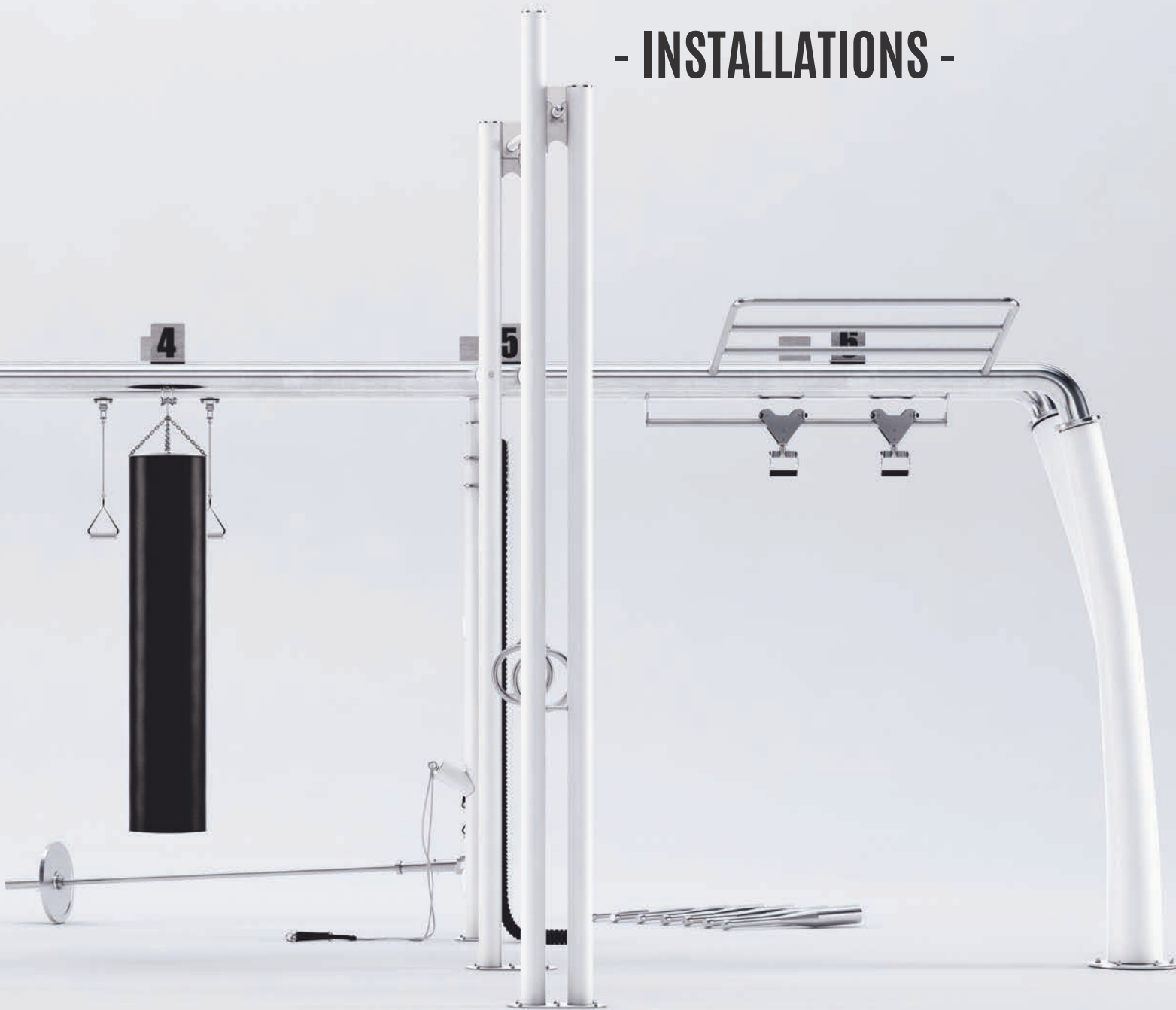
MyBeast is also the first 'seamless' fitness product that will be developed across multiple surfaces - flooring, installation, and accessories. The floor becomes an extension of each Stage, creating a

smooth, flawless integration between suspension and ground training and taking advantage of the full spectrum of bodyweight training exercises.





- INSTALLATIONS -



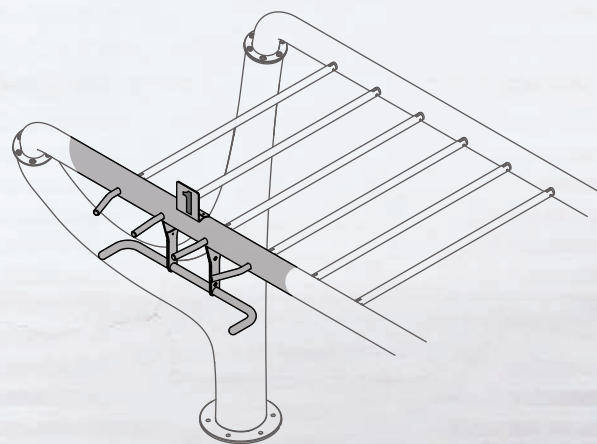
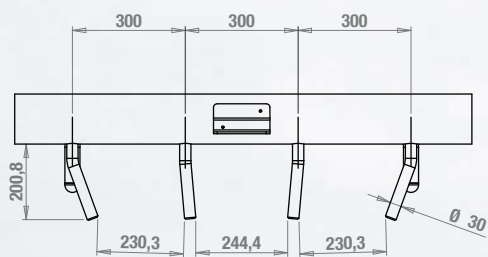
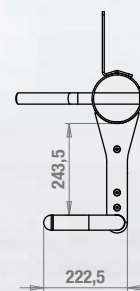
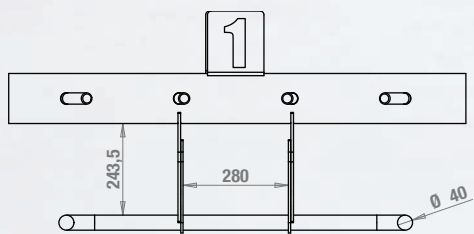
“Truly great athletes may not be the strongest or the fastest. They are the ones who always try the hardest. They only need an inspiring goal, a drive to win and the right equipment to help them maximize their performance.”

STAGE #1: MULTI PULL-UP

The four pull-up handles and a pull-up bar of the Stage #1 feature unique design to help you develop strength, endurance and balance by working out the same muscles from all angles.

Stage #1 is also great to exercise your ab muscles both isometrically (i.e. performing static contraction exercises that help to hold your spine upright as you pull your body up) and dynamically (by shortening and contracting the muscles at the same time).





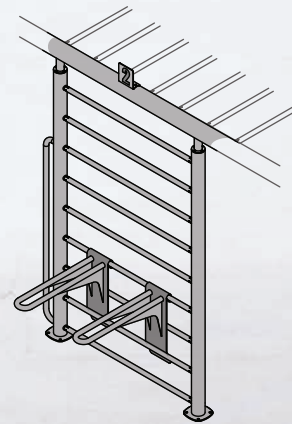
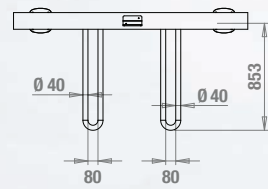
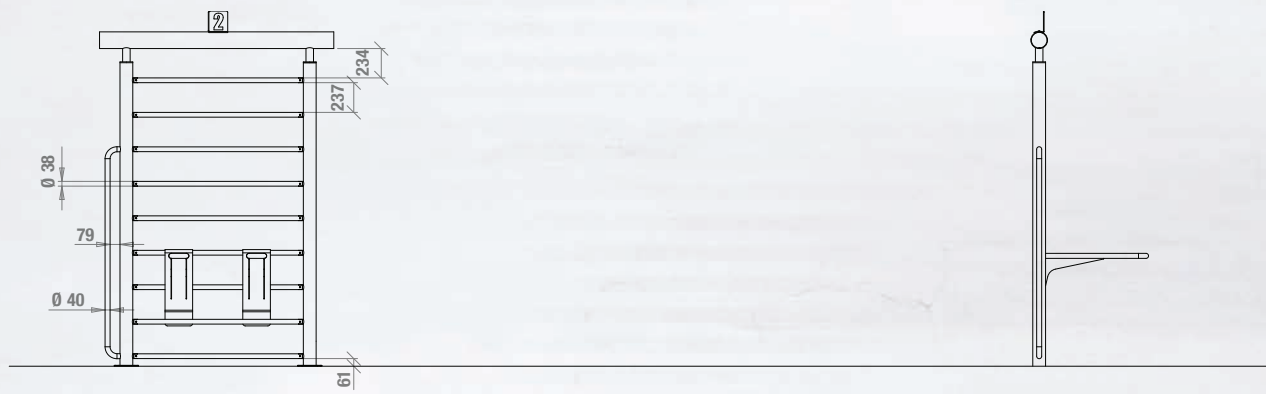
STAGE #2: STALL BARS + DIP

Stage #2 is unbeatable in terms of versatility, functionality and creativity. It can be used for an impressive number of stretching, flexibility and body posture exercises as well as muscle toning.

Attach the hook resistance bands or cables to a Stall Bars and you will be able to engage all major muscle groups, adding even greater flexibility and personalization to your workout.

We've also designed an easy to mount sleek-looking 'dip' that can be attached to a Stall bar in under 20 seconds. The Dip is excellent for suspension training moves, helping you build phenomenal strength of chest, shoulders, arms and ab muscles.



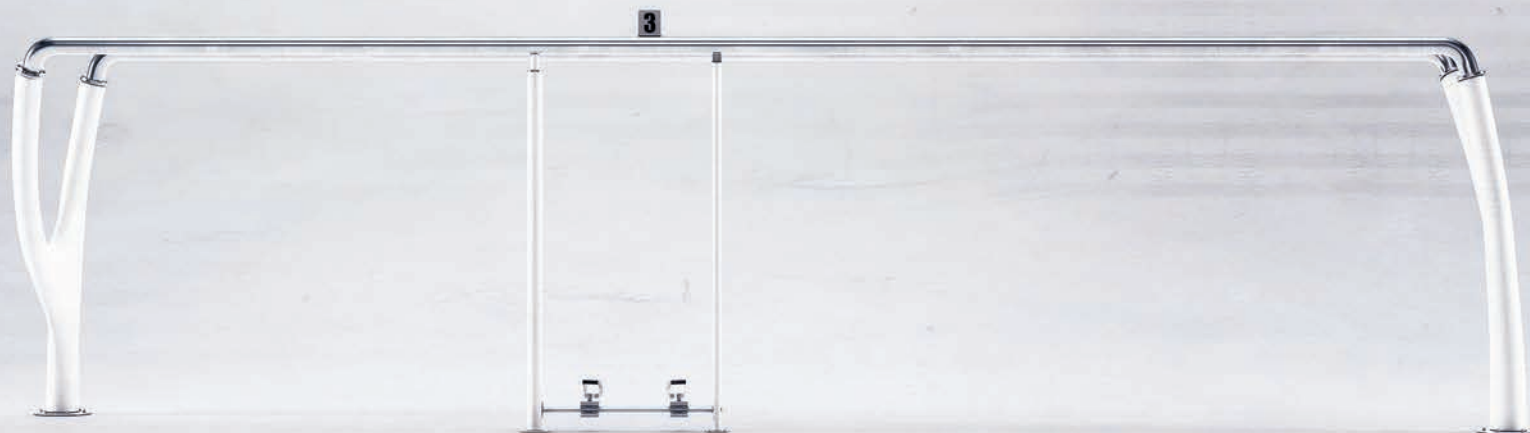
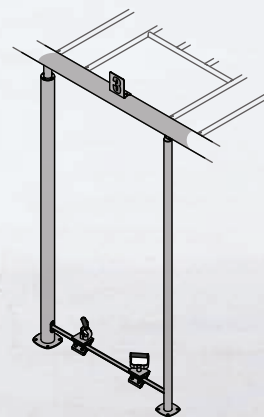
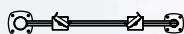


STAGE #3: SLIDING PUSH-UPS

Stage #3 is a continuation of the upper body and core strength series. Sliding Push-ups allow you to effectively build triceps and chest muscles both by performing regular exercises or boosting difficulty level with a sliding motion.

The sliding motion of the push-up handles has been proven to tone and firms abs, and strengthen stabilizer muscles. You can also use it for leg stretching, before moving onto the next Stage.



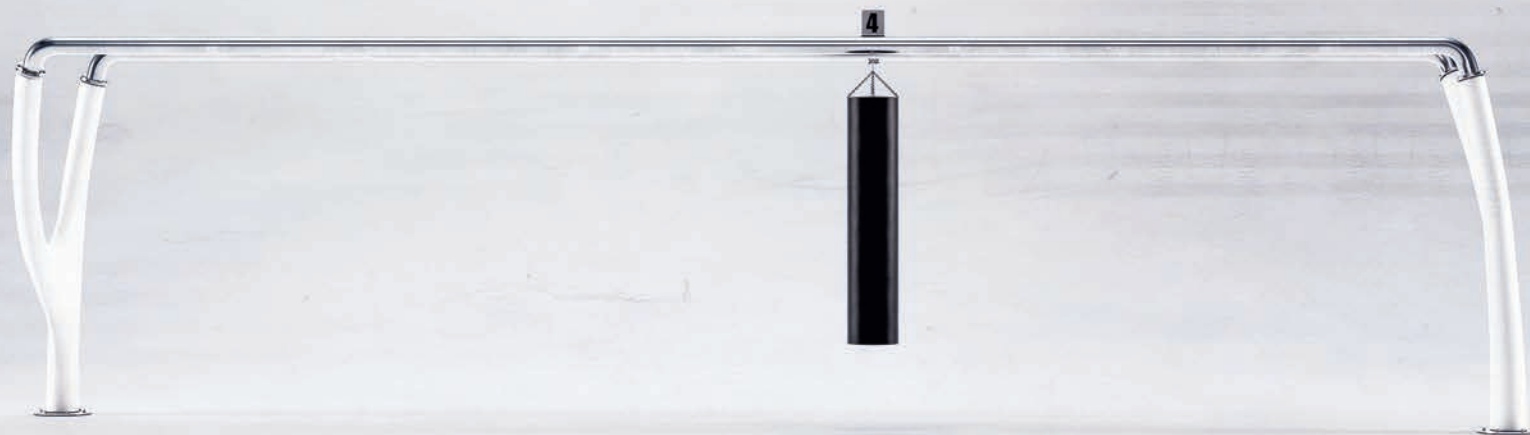
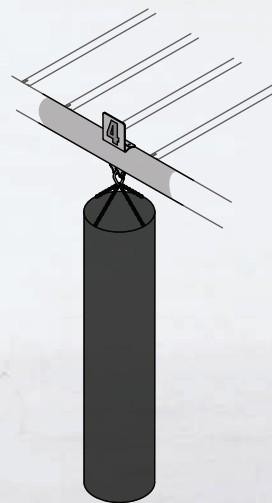
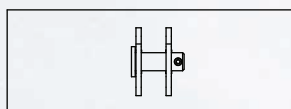
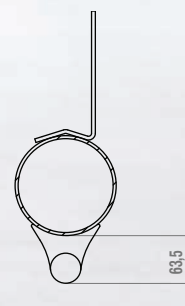
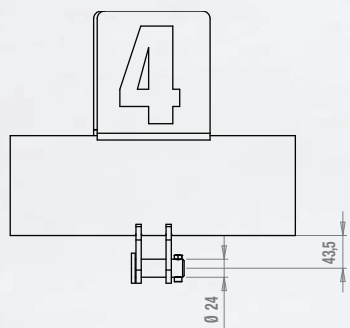


STAGE #4: PUNCHING BAG

Stage #4 is an area dedicated to boxing, kickboxing and martial arts. A fast-paced, high-intensity heavy bag training is a strategic addition to more traditional exercises.

The Punching Bag station is engineered to help professional athletes and bodyweight training evangelists improve their footwork, enhance stamina, power, coordination, resistance and increase metabolic rate. It's also a solid way to let off some steam, de-stress and get energized.



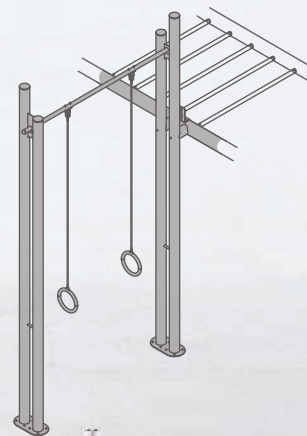
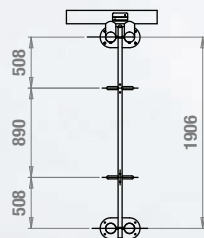
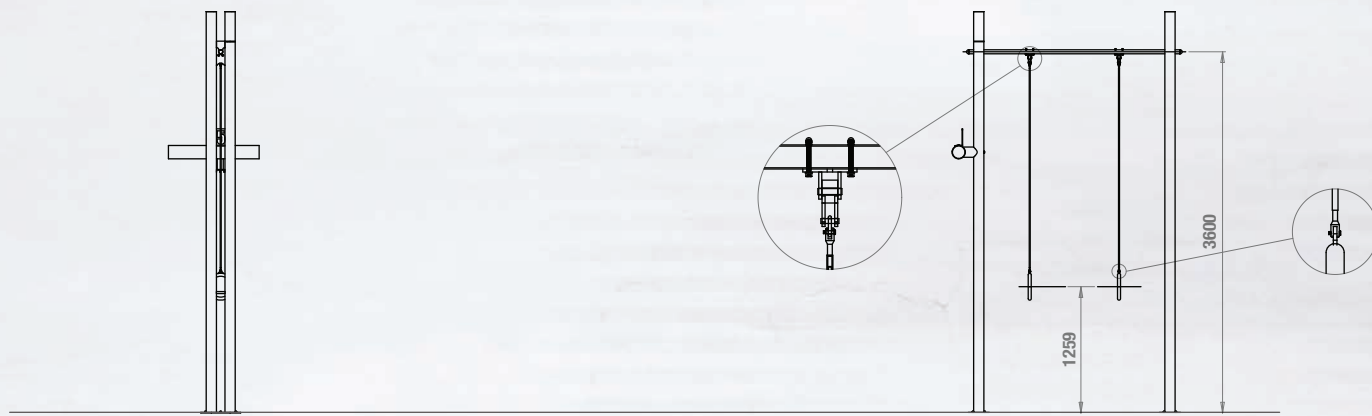


STAGE #5: RINGS

Stage#5, dedicated to Rings training is one of the most diverse, challenging and fun ways to strengthen your upper body known to man.

Used by professional gymnasts to sculpt their lean, defined physiques, Rings have an impressively high strength-to-size ratio. Leveraging the weight of the body against gravity, Rings also help to build superior balance and agility, as they effectively target shoulder, back, abs and wrist stabilizer muscles.





STAGE #6: FLYING PULL-UP

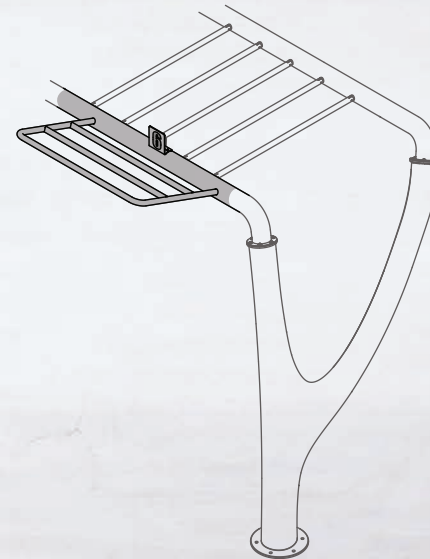
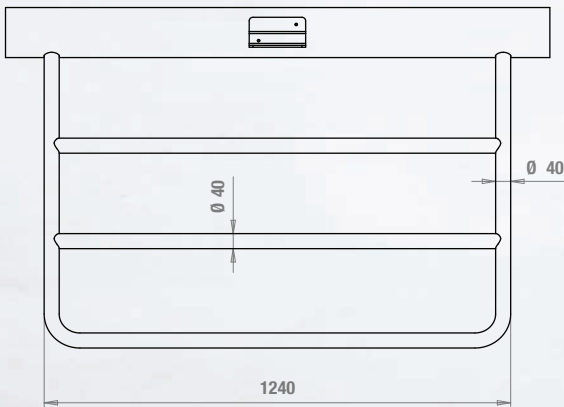
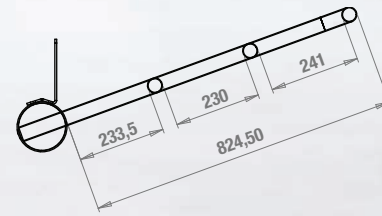
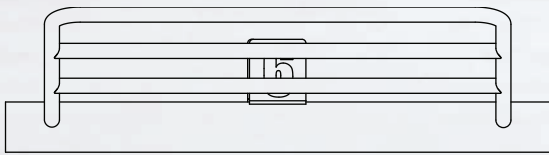
Stage#6 has been engineered to help you develop exceptional strength, resistance and balance through incremental exercise routines.

Exercises that can be performed on Flying Pull-up bar are widely recognized and used by professional athletes to build broader backs, wider shoulders, stronger arm muscles and strengthen the abs.

However, through a combination of several movements Stage #6 also makes it easy to exercise legs, chest and shoulders.

You can hook resistance bands, TRX or Antigravity Yoga turning this into multifunctional, highly versatile area.



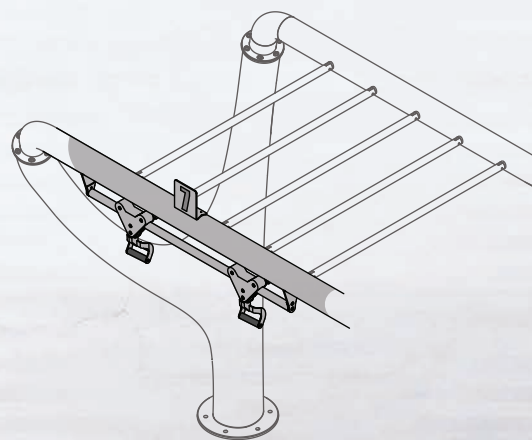
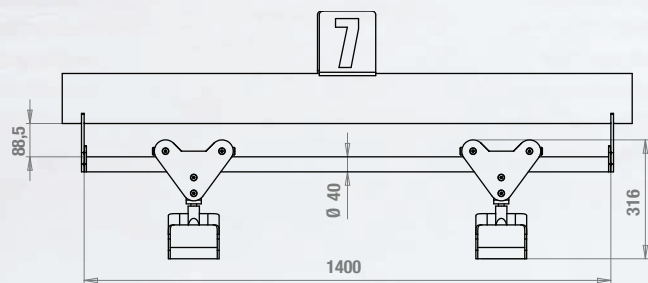


STAGE #7: SLIDING PULL-UP

Stage #7 has been designed to help you efficiently exercise muscles of the back, arms and abdominals. Calisthenics experts and professional athletes, looking to add a significant degree of resistance and challenge, can practice archer or wide-grip pull-ups thanks to the sliding motion of the top handles.

This ingenious solution creates an almost infinite number of exercise variations, helping to engage the different muscles from every angle, as well as to improve sensibility, awareness and control of your body.



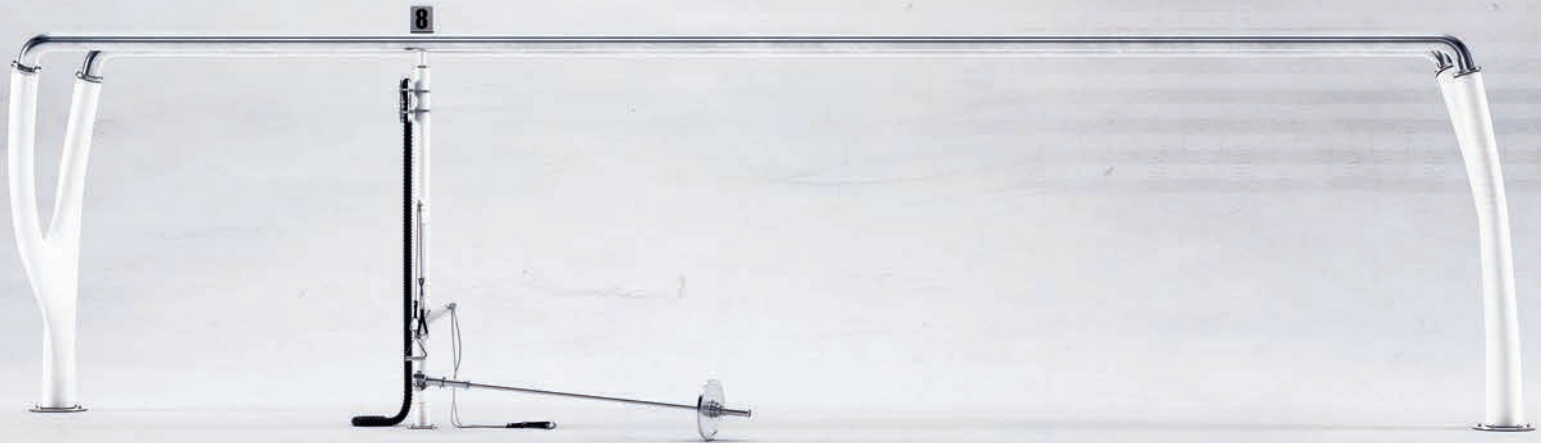
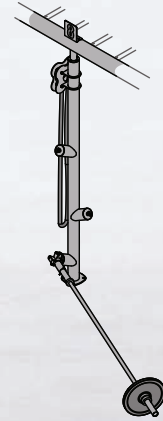
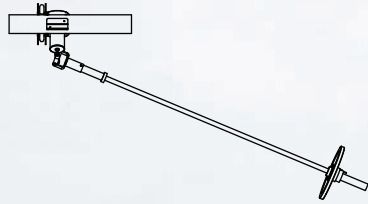
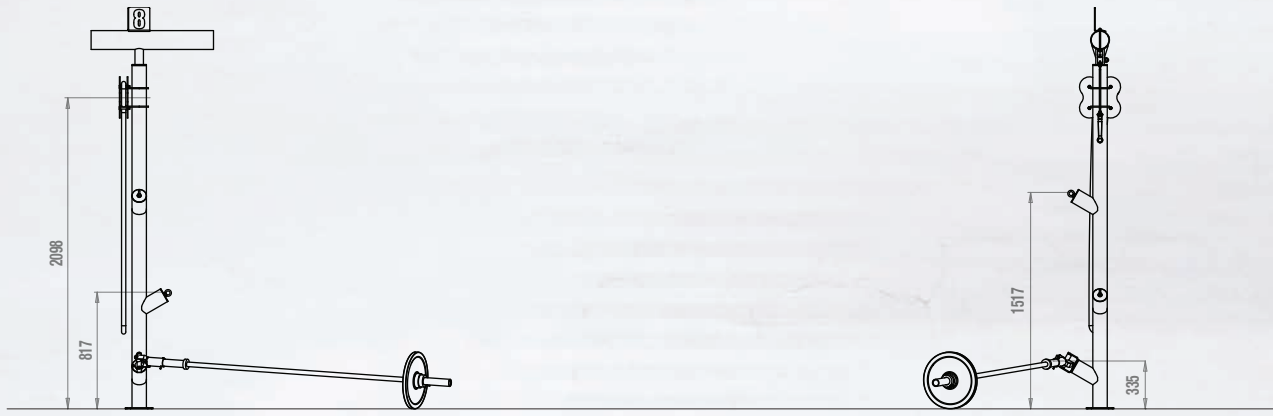


STAGE #8: MULTI TOOL

Stage #8 is the most multi-functional and ‘happening’ station of MyBeast. Ropes, barbells and resistance bands are excellent in helping you create greater awareness of your body, and significantly improve endurance, intensity, performance, strength and proprioception.

The hooks for the resistance bands, strategically positioned at different heights, allow you to change the incline when performing different exercises and target even the tiniest muscles that are usually hard to reach during regular training routines.



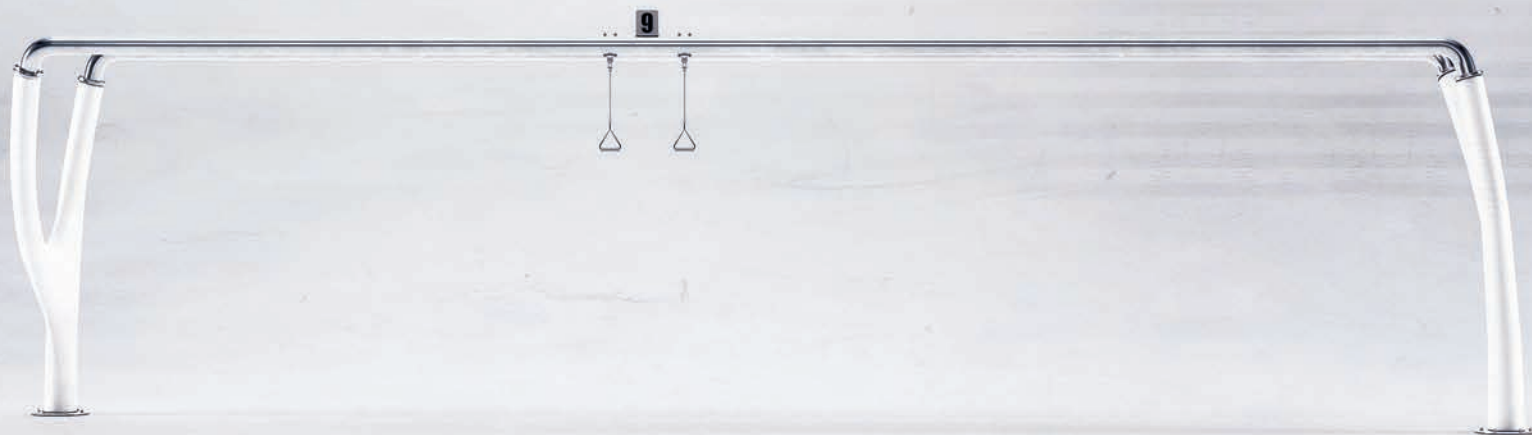
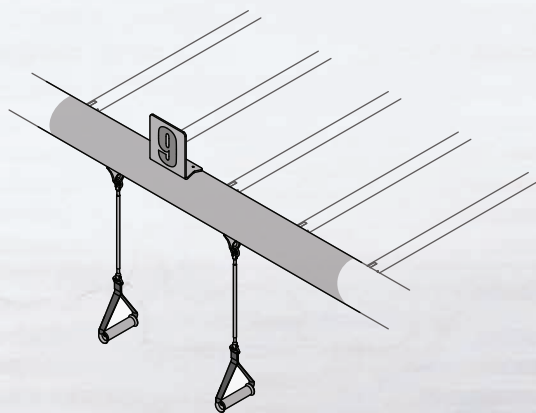
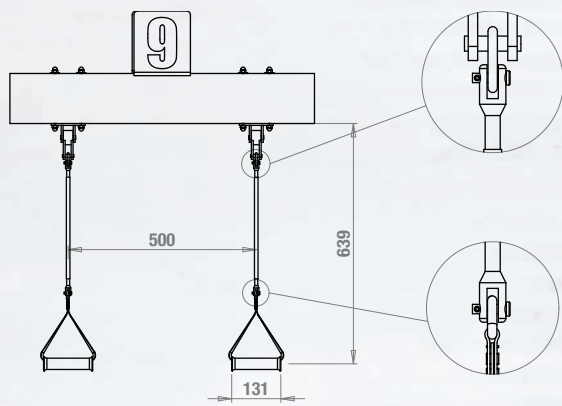


STAGE #9: HANGING HANDLES

Stage #9 is a strategic station that combines the fitness benefits of the rings, but offers greater grip stability with the 2 sturdy, anti-slip handles. As most of the exercises here are done with the body suspended above the

ground, greater muscle effort and balance is required to fight the force of gravity. This allows the strengthening of the back, arms and abs much more efficiently, also improving endurance and strength.

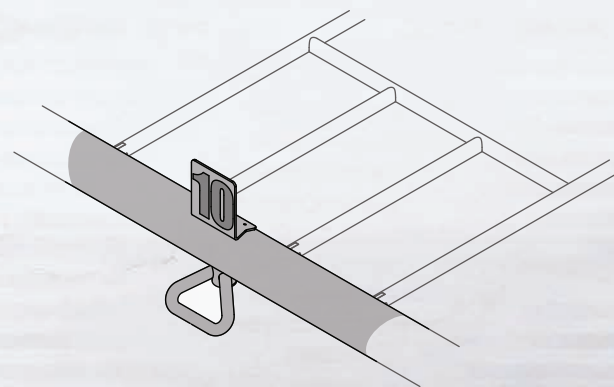
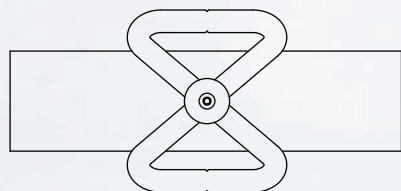
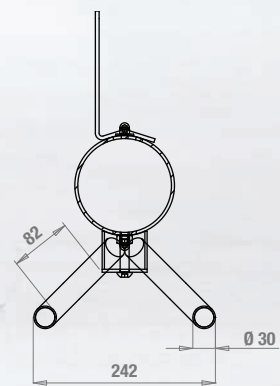
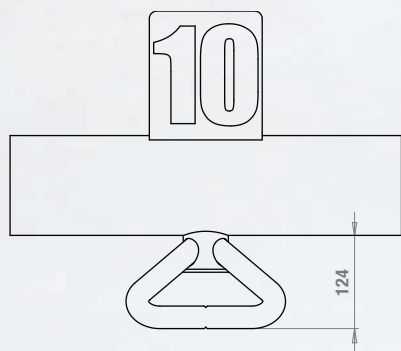




STAGE #10: BUTTERFLY HANDLE

The elegant and sturdy steel Butterfly of Stage #10 allows for the close grip and maximally recruits the latissimus dorsi muscle. It also challenges your core, arms and back muscles in a new way.



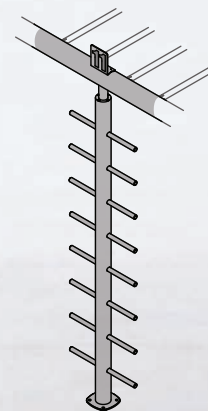
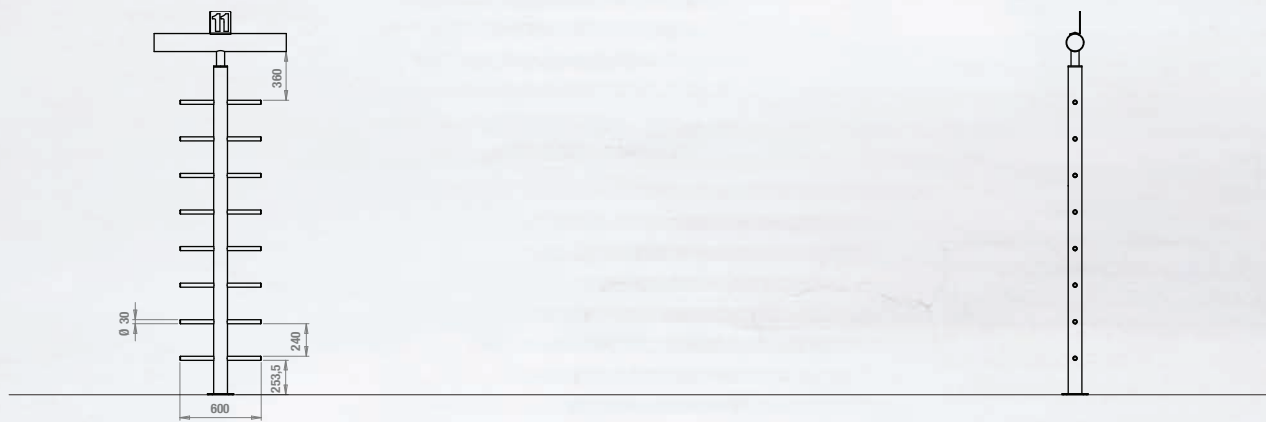


STAGE #11: POLE LADDER

As the name implies, Stage #11 is a reference point for those who want to sharpen their fitness skills and prepare the body for the more challenging exercises. This is a great station for beginners to start with in order to learn their groundwork and strengthen arms, legs, chest and back muscles and well

as the abs. Professionals, on the other hand, can take advantage of different inclinations of the ladder or use resistance bands and cables to perfect their exercise technique and target specific, hard-to-reach muscles.



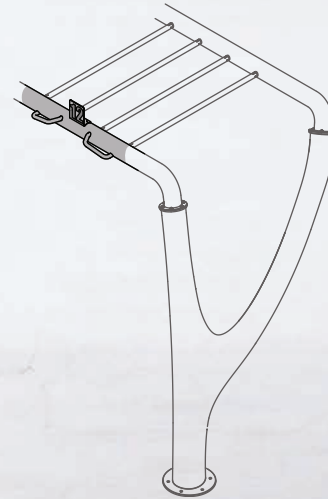
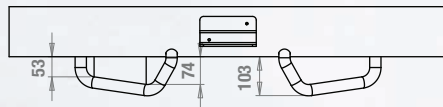
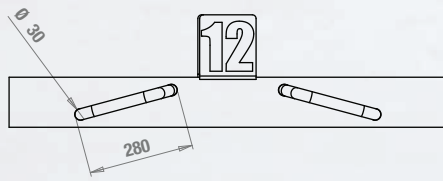


STAGE #12: PULL-UP

Stage #12 completes the workout routine, challenging your upper core muscles a little further. The 2 specifically designed handles guarantee a strong, secure grip and are great for perfecting your pull-up and chin-up

variations. However, we've also developed a series of compound exercises specifically designed for the Stage #12, that promote muscle growth, including leg muscles, far more quickly than typical isolation exercises.



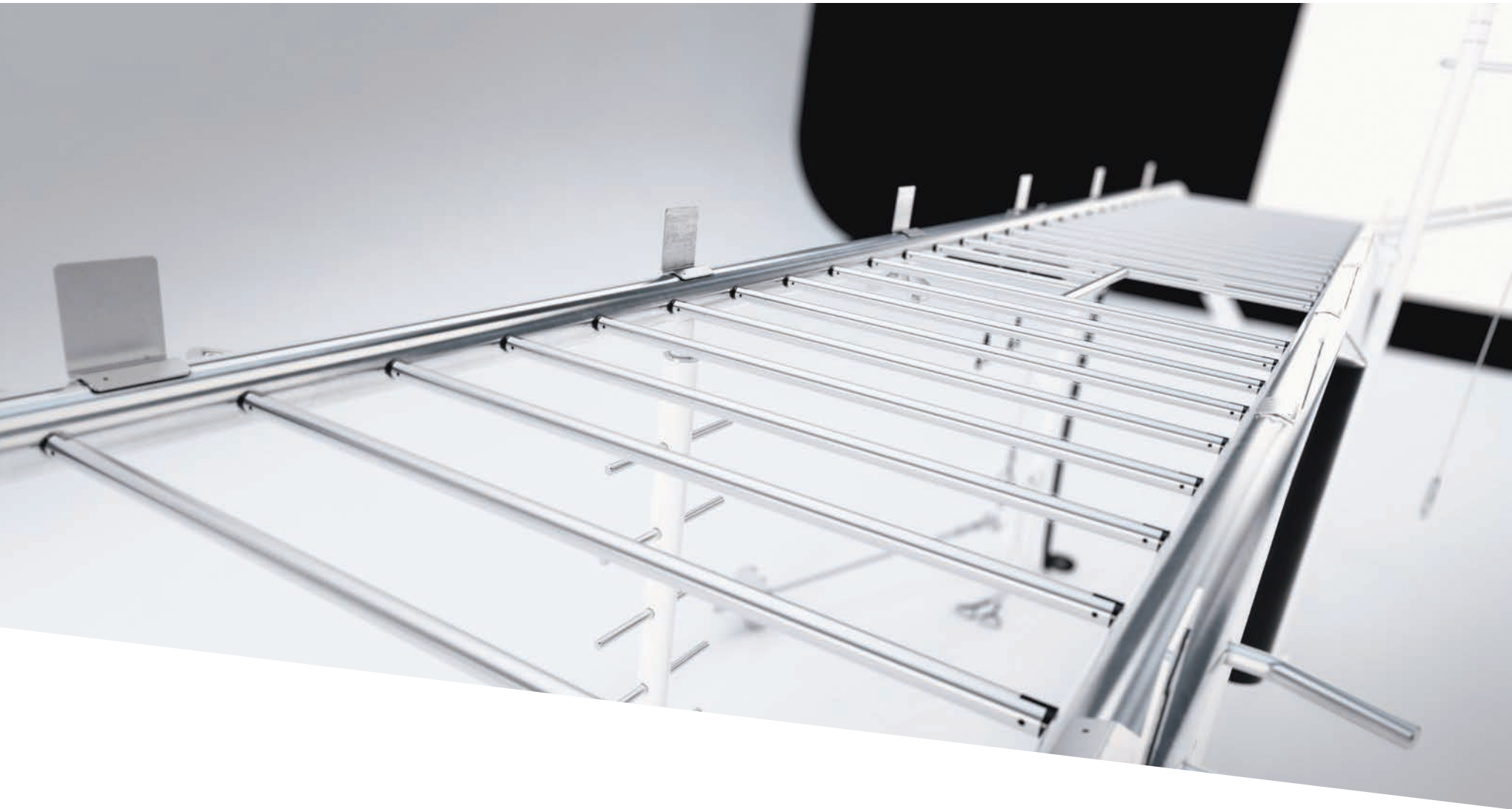


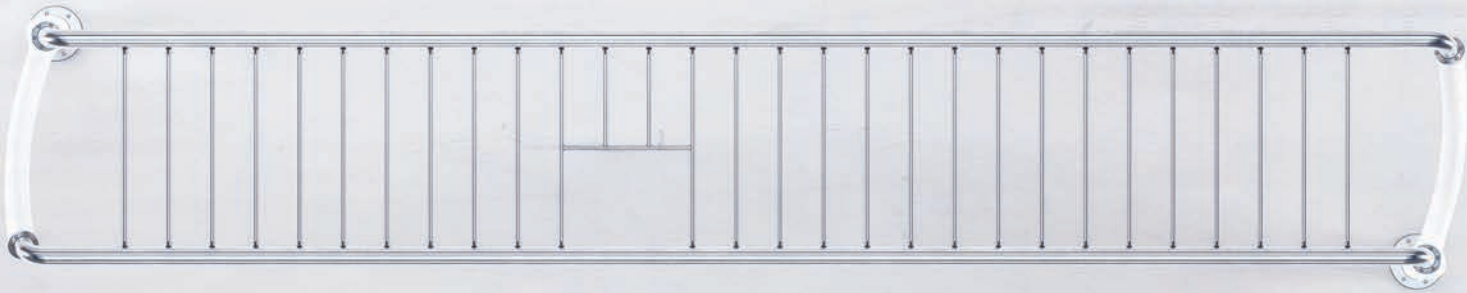
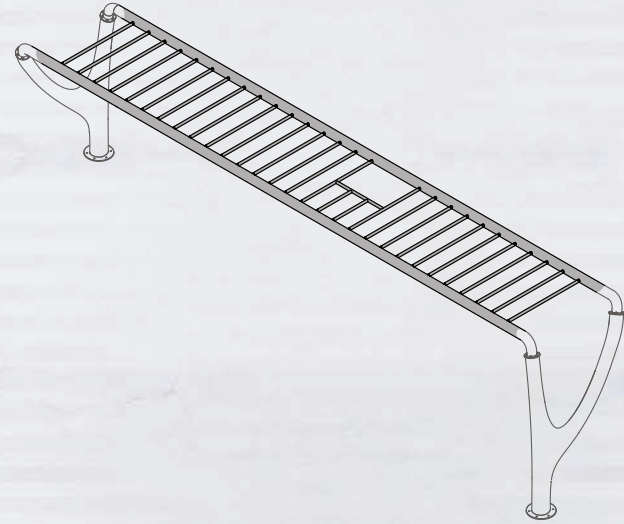
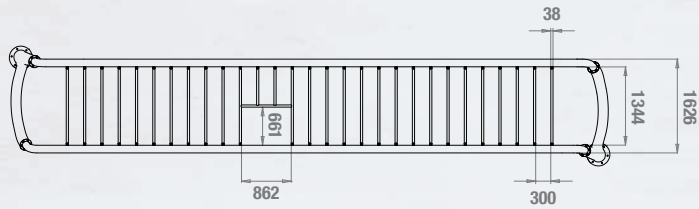
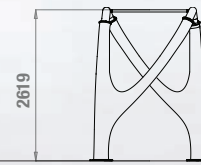
INSIDE: MONKEY BARS

Thanks to MyBeast's prominent design, this monkey bar could be the biggest and longest you've ever seen. Monkey bars are associated with thrill and play, but it's also a staple when it comes to building coordination, speed and endurance.

Workout options are diverse and fun: from pull-ups to swinging from one bar to another, from weaving to 'skin-the-cat' progressions.

Unlike some of the Stages designed mostly for strength training, Monkey Bars could be your Everest for metabolic conditioning. Whether you want to put your cardiovascular, respiratory and muscular endurance to the test or improve agility, coordination, speed and explosiveness, there is an exercise progression to suit all requirements.

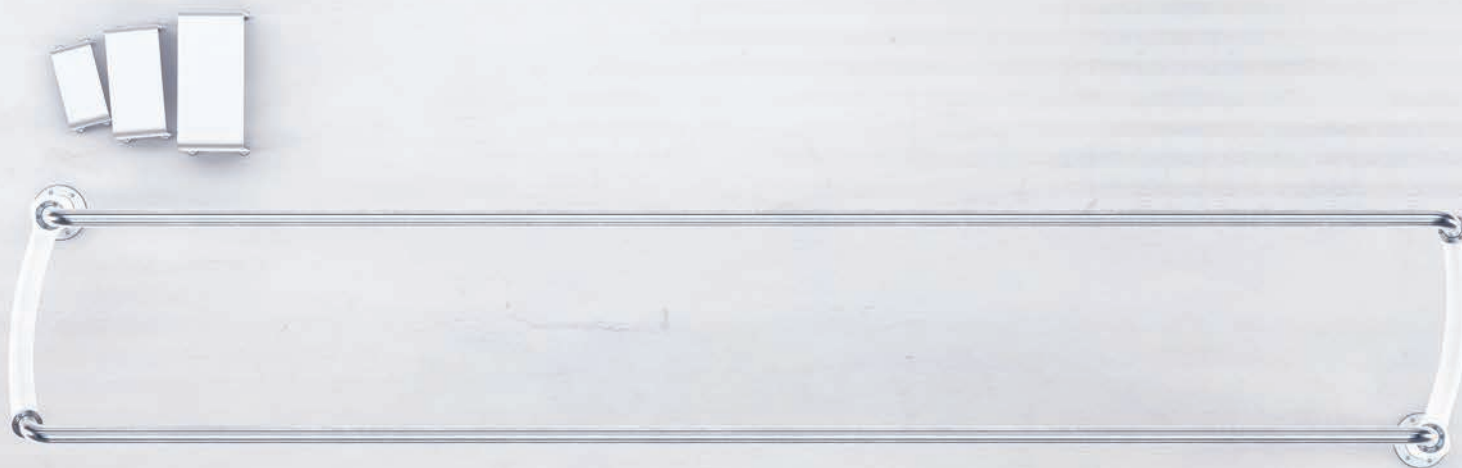
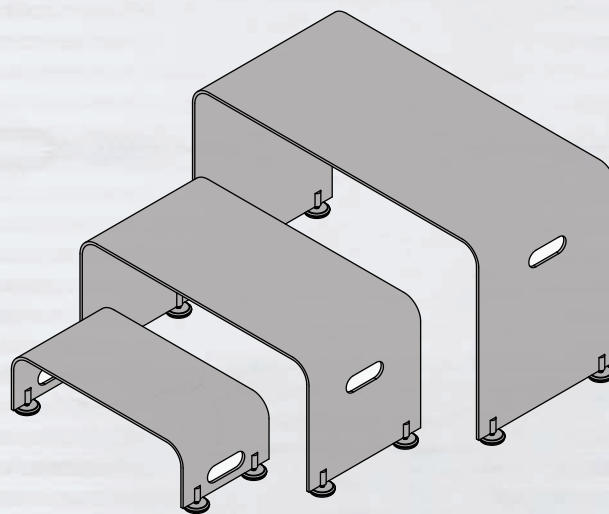
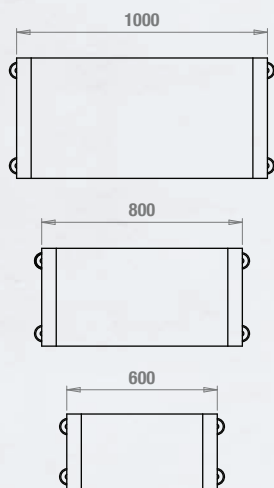




ACCESSORIES: STEPS

A 3-step ladder can be used for all agility exercises, or as an accessory to start MyBeast training, offering facilitated access and exercise support.



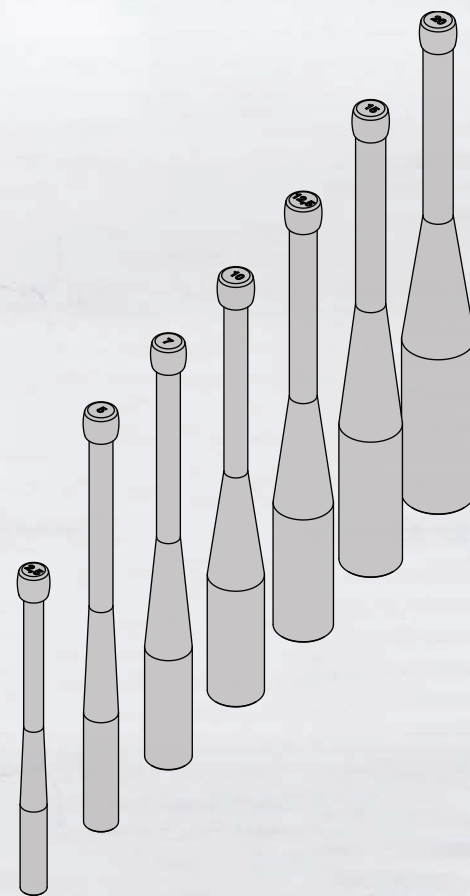
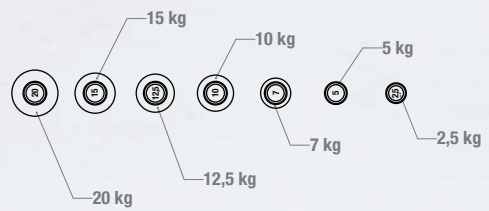
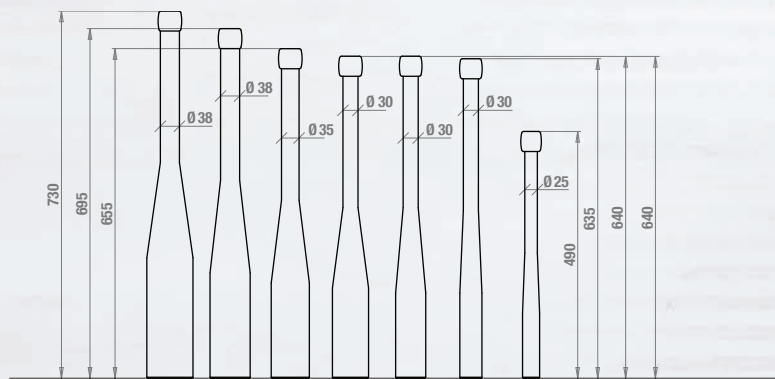


ACCESSORIES: CLUBBELLS

The old tradition of 'club swinging', that originated in Persia thousands of years ago has been given a new life with Clubbell training. Used in the right way, clubbells have been proven to boost shoulder mobility and increase grip

strength. However, just like with the bodyweight training, clubbell exercises activate your core, abs, glutes, hamstrings and calves.







QUALITY YOU CAN ACTUALLY FEEL

Only the most exclusive and innovative materials have been selected to craft MyBeast products and accessories. Our ultra-high performance Molecular concrete®, stainless steel, exotic woods, technical compounds and break-through materials are engineered to withstand both intense group trainings and outdoor environments.

Built to last, MyBeast installations are resistant to wear, shock, dirt, abrasion and temperature changes.



- COLLECTIONS -

“The MyBeast Training Ecosystem taps into the top 7 out of 10 future fitness trends, including the use of wearable technology, bodyweight training, strength training, functional fitness, group training and workouts guided by fitness experts. It’s just a matter of choosing the right one that fits your needs best.”

PERFORMANCE PER SQUARE FOOT

Designed following the “Performance Per Square Foot” principle, MyBeast Training System maximizes every inch of space in terms of workout versatility, muscle activation and training results.

This principle holds true for both Indoor and Outdoor environments, making MyBeast a great solution for elite sports teams, top gyms, and innovative companies looking to offer their employees an opportunity to lead a healthier lifestyle.







MyBEAST ALPHA-BREED TRAINING



INDOOR

MAXIMIZE WORKOUT SPACE

If gyms and sport centers were to use a metric called “cost per square foot” - something the most innovative corporations now apply to calculate employees productivity, they would probably come to the same conclusion - around 58% of space is not used efficiently.

The MyBeast SINGLE installation, stage-base workout solution, combined with accessories and special sports flooring has redefined the way people train and how the space is used.

By eliminating unnecessary transitions from one exercise to another and by streamlining the workout routines, we've managed to:



significantly cut the workout time, while boost training efficiency



allow a group of people to train simultaneously, using the same installation



greatly reduce previously unused and underused training space





ITALIAN STYLE MEETS FUNCTIONAL TRAINING

MAKE A BOLD STATEMENT



Built from the ground up in Italy, MyBeast is an inch for inch the smartest, most versatile and highly customizable bodyweight training solution on the market.

By placing equal importance on biomechanics, technology and design, MyBeast has become a 360-degree fitness solution for health clubs, gyms, professional athletes and forward-thinking communities.

BEST OF OUTDOOR FITNESS

ANTICIPATE TRAINING EVOLUTION

Outdoor training has steadily remained one of the top 15 fitness trends for 5 years in a row, and for good reasons. Research shows that more and more people prefer fresh air, sunlight and feeling of being close to nature over air-conditioned environments.

This presents a serious challenge for fitness equipment manufacturers, whose workout machines can not withstand changing weather conditions. MyBeast is the first functional training installation made of an innovative high-performance concrete that combines the extraordinary tensile strength of steel.



Resistant to high/low temperatures, shock, mold, mildew, and mediocracy



Built using top-quality, customizable materials



Enhanced with cool digital features, including advice from elite trainers, and workout analytics





MyBEAST ALPHA-BREED TRAINING





LUXURY COLLECTION

SETTING THE BAR FOR QUALITY

While all of the MyBeast installations can be customized in terms of Stage number and their order, the Luxury Collection brings unique design elements that are guaranteed to add 'grandeur' and style to any workout environment.

Whether it be the striking effect of MyBeast's size with indoor space created by impeccably polished stainless steel "mirrors" or an open-air sense of relaxation evoked by a beautiful green living wall, Metalco's engineering ingenuity and award-winning design solutions can make it happen.

Designed for high-end gyms, exclusive hotels & resorts and private villas, Luxury Collection is the only Functional Training System that brings together the innovation of fitness with a contemporary elegance of outdoor decor.

SPORT COLLECTION

STAYING A STEP AHEAD OF THE GAME

The MyBeast sports line has been designed with maximized efficiency and performance in mind. By integrating professional sports flooring, specifically-designed accessories and customizable finishes, Sports version is an ideal “workout weapon” for professional sports teams, college campuses, sports centers and corporate world.

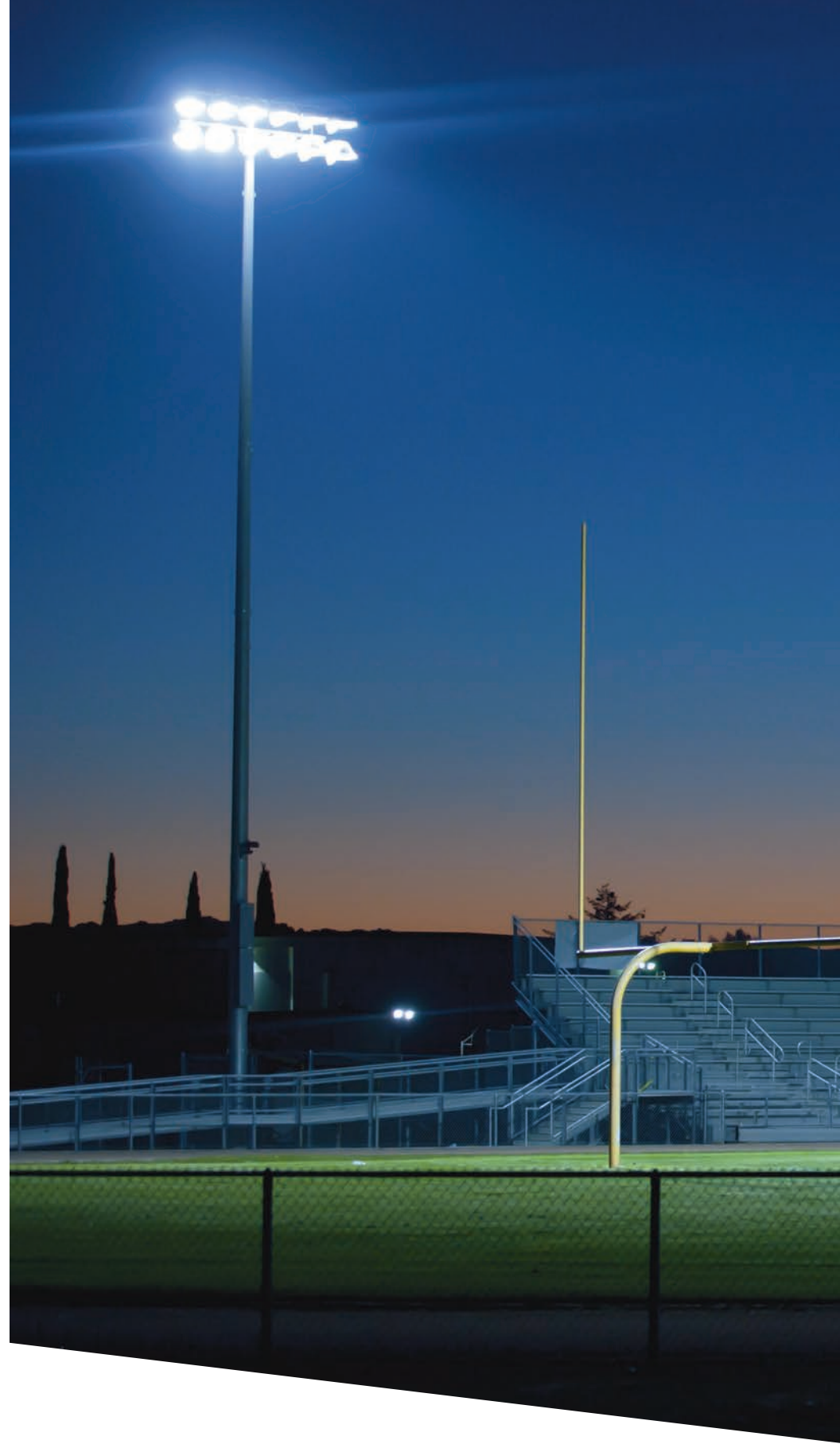
Engineered to be extremely versatile and durable for indoor and outdoor environments, MyBeast features two different types of installation: basic (direct installation into the ground) and advanced (on top of sports safety flooring). Advanced surfacing consists of professional anti-slip, shock-absorbing rubber flooring for increased workout safety.





UNIQUE INDUSTRIAL KNOW-HOW
**FIND AN ALPHA-BREED
PARTNER**

Manufactured by Metalco, the same company that was behind Tesla supercharger stations and award-winning outdoor furniture, MyBeast has no equivalent on the market in terms of design, customization, indestructibility and resistance to the elements. Not only that, it has been created with the Future of fitness in mind...



INNOVATION THAT DRIVES ENGAGEMENT

BRING CHAMPIONS TOGETHER

From focused, high-intensity bodyweight training routines, to real life and virtual guidance of top fitness experts, to compatibility with wearables, MyBeast is by far the most complete, prominent and uniquely-designed workout solution.

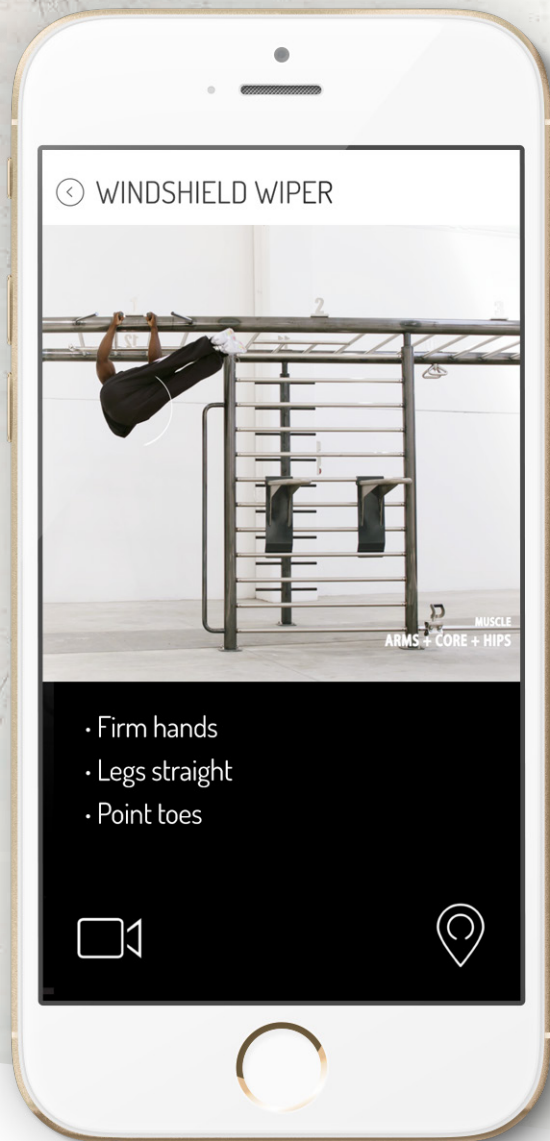
It is intended to appeal to professional athletes, wellness-minded people and anyone who is serious about improving their performance, sculpting their body and aspiring to reach fitness goals.





- TECHNOLOGY -

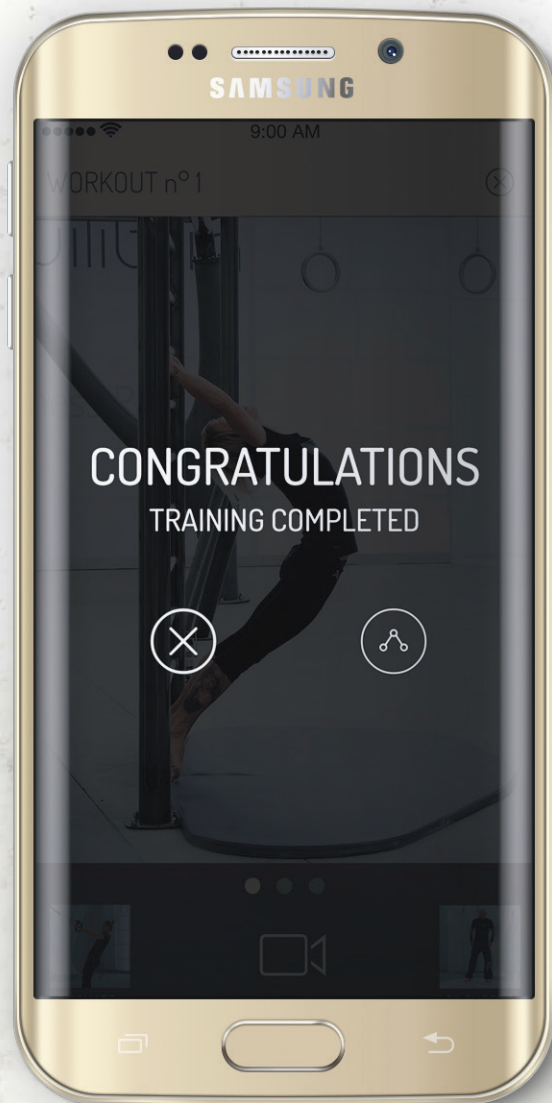
“With MyBeast you can’t determine the boundary between a physical product, functional training and a digital realm. It truly surpasses any competing technology available.”



DISRUPTIVE POWER WITHIN

The compelling design of MyBeast hides the powerful technology underneath. It's the only athletic equipment of this size that recognizes you as you come closer, connects to your smartphone via an app and allows you to:

- share your exercises and chat with friends
- compete with other people
- get comprehensive advice from elite personal trainers
- watch top fitness experts and world-class athletes perform each exercise
- record your workout and track results
- create almost an infinite combination of exercises and training routines (no matter what sport you practice or what your fitness goals are)



MYBEAST APP

LEARN QUICKLY

It's easy to create a customized workout program, by selecting a choice of difficulty level, your physical characteristics or wellness goals you'd like to focus on. Thanks to geo-localization and augmented reality, MyBeast app can recognize the installation next to you. Then it can show you targeted exercises performed by a top trainer on exactly the same installation. It's like having your own personal trainer guide you step-by-step through the entire workout.

TRAIN FIERCELY

MyBeast app real-time tracking features, combined with smartphone and wearables' sensors, help to automatically monitor your level of physical activity, including time, distance, speed, calories burnt and heart-rate. The App's audio features, including music support and audio coach assistance make it simple to stay focused, push harder and track your progress.

CONNECT INSTANTLY

With the brilliant social features it's possible to turn an ordinary workout routine into an adrenaline-pumping event.

- Challenge your friends or current champions with just one click.
- Get real-time pep-talks from friends and supporters, following you live as you work out.
- Share workout programs, results and your rankings on social networks.
- Video record your workouts and watch other people's workouts too.





"There are over 500 videos (and growing) in the MyBeast workout protocol made by top personal trainers and athletes worldwide.

Why? Because while there are thousands of different paths to sports excellence, no path should be limited by preset training."





- ABOUT US -



“Wellness is not limited to exercise or diet. It’s important to balance those things with your lifestyle, your goals, your desires. It’s important to nourish your spirit as well as your body.”

GIAN LUCA INNOCENZI

FOUNDER OF MYBEAST AND METALCO ACTIVE

With over 20 years of marketing and communications experience Gian Luca is considered to be a major expert in the fitness industry. Before creating MyBeast and MyEquilibria he founded an innovative technology company that became the biggest European library of new media fitness content and video courses dedicated to wellness.

By bringing together an international team of designers, industrial engineers, futurists, fitness experts and personal trainers, Gian Luca managed to transform his ambitious idea of MyBeast into an industrial project, creating a brand new business model.

Gian Luca is a sports-addict himself. Skiing, track and field and soccer are just some of the sports he has practiced on a competitive level.

No matter where in the world he happens to be, he works out almost daily. In fact, MyBeast Alpha-Breed Training System was inspired by the amazing community of the world's greatest Calisthenics, Boxing and Functional Training athletes that Gian Luca has met, and actively collaborated or trained with over the years. It's a rock-solid tribute to determination, performance and strength of character!





METALCO

INDUSTRIAL PARTNER

Metalco is an unprecedented Italian leader when it comes to innovation, design and superior product quality.

Founded in 1984, Metalco is now known in over 4,000 cities across 32 countries for its award-winning outdoor and landscaping products, created through a close collaboration with renowned designers and top architectural firms. They are the company behind such ambitious and demanding projects as Tesla Supercharger stations, outdoor Furniture for EXPO Milano and Interactive Metro stations in Paris.

From the very beginning, Metalco has positioned itself as a brand that focused on enhancing the best features of traditional materials, including steel, wood and stone; and applying these to innovative products that help to transform cities into beautiful homes for their citizens and visitors.

MyBeast has been designed as a crucial part of this vision that aims to increase cities' well-being and community wellness.



IL CANTIERE TECHNICAL PARTNER

In the area spanning architecture and interior design, IL CANTIERE has been long recognized as the best interpreter of ultra-high performance concrete worldwide.

With over 30 years of experience in research and development applied to concrete materials, the company has successfully carried out thousands of projects and products that range in scale, sophistication and complexity.

Innovative use of concrete and the company's know-how has made it an ideal partner for MyBeast, helping to translate ambitious ideas into solid, highly customizable, one-of-a-kind installations.

WELLMENT

CONTENT PARTNER

Based in the US—the home of the most innovative wellness, fitness and technology trends—Wellment is the brainpower behind the products and market strategies of MyBeast.

With its main office located in Miami, Wellment is responsible for all the content development, marketing and workout protocol creations of MyBeast, both for US and European markets.

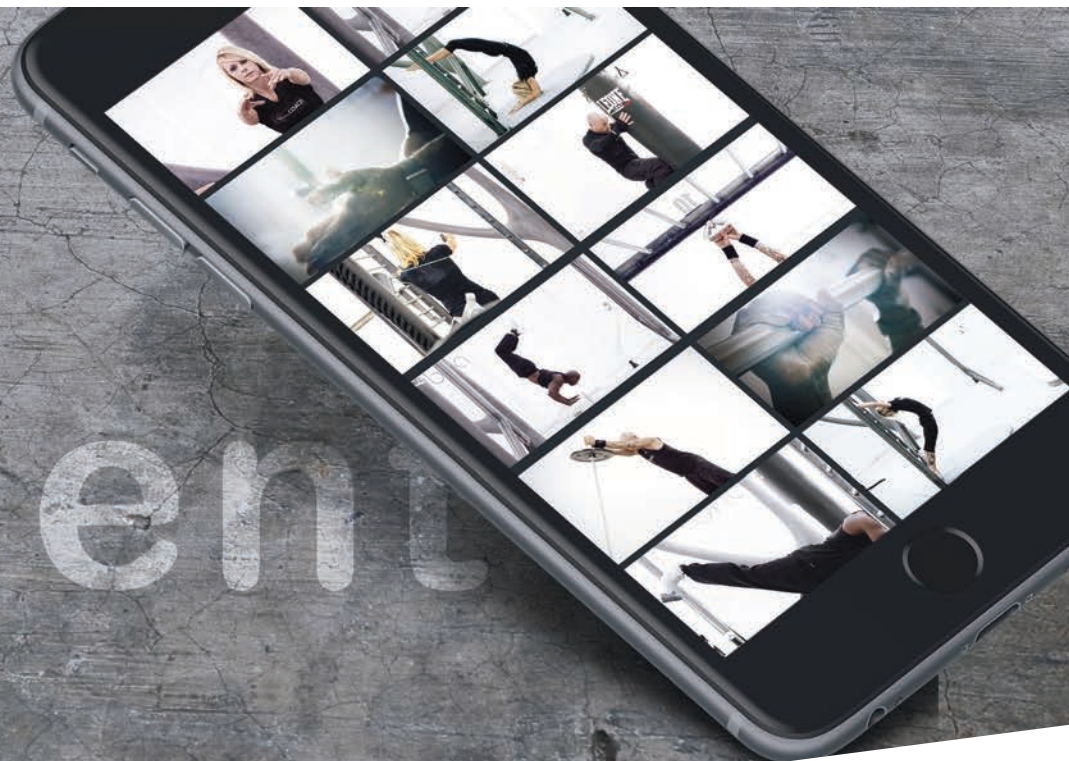
An in-depth expertise of fitness innovation, entertainment and social networking allows Wellment to identify leading wellness trends, emerging technologies and key factors influencing the market before they become mainstream.

By integrating this knowledge and collaborating with the top influencers as well as the best digital tech start-ups, Wellment helps companies and

brands to develop revolutionary concepts for the next generation of products, services and contents.

In order to do that and stay at the forefront of shaping new wellness behaviors and workout protocols, Wellment has brought together a team of futurists, trend hunters, sociologists, filmmakers, marketing consultants, and technology innovation experts.

wellment



MyBEAST

ALPHA BREED TRAINING

Printing: april 2016

© Copyright Metalco Active Srl

All rights reserved. The reproduction of images, drawings and texts, even if partial, is prohibited.

MyBeast, Alpha Breed Training is trademark of Metalco Active Srl

All the stages and accessories are protected by patents and design owned by Metalco Active Srl.

MyBeast reserves the right to modify the dimensions and structure of its products at any time without prior notice in order to improve quality and durability. Photos, drawings and texts are not contractual.

For possible modifications or updates, please refer to the web site: www.myequilibria.com/mybeast

METALCO ACTIVE SRL

-

Registered Office:

via Madonnina 5, 20121 Milano, Italy

Headquarters:

via della Fornace, 44, 31023 Castelminio di Resana (TV), Italy

P.IVA 09176320969



MyBEAST

ALPHA BREED TRAINING

Metalco Active srl

Sede legale: Via Madonnina, 5
20121 Mialno, Italy

Sede operativa: via della Fornace, 44
31023 Castelminio di Resana (TV), Italy

tel. +39 0423.7863

www.myequilibria.com/mybeast - info@myequilibria.com