

ABLOY® RIM AND MORTICE LOCKS

Premium quality mechanical locking. True to the superior build principles adhered to for all Abloy locks, our rim and mortice range provides robust, functional security where a mechanical solution is required.



VERSION: AUGUST-11

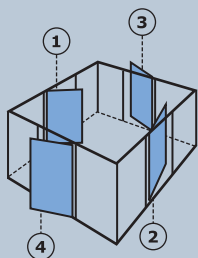
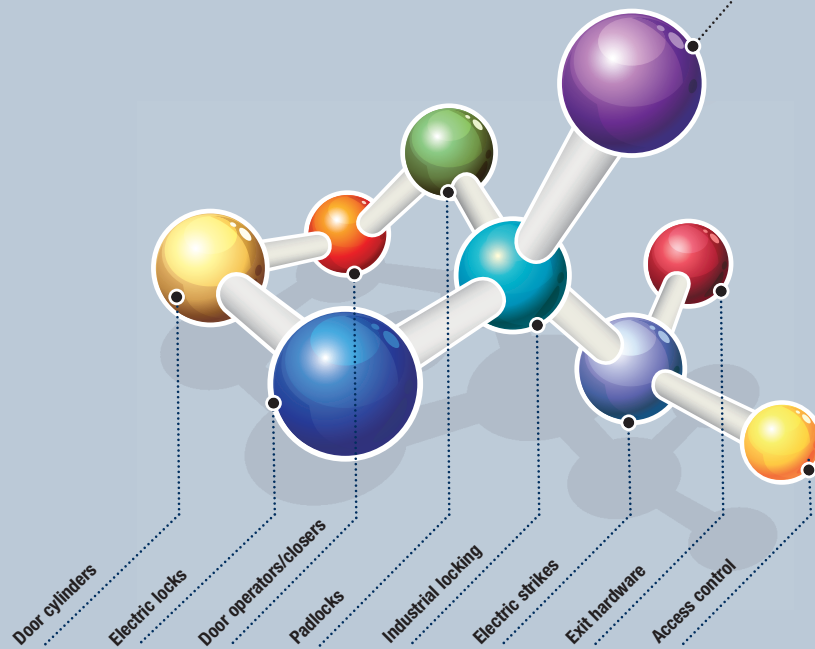
Uniclass
L418181
CI/SfB
(31.59) Xt7

Integrated door control solutions... it's in our DNA

Abloy UK are a leading provider of rim and mortice locks in the UK and Ireland and we are pleased to welcome you to this catalogue of our products.

Mechanical locking forms just part of our total service, with a wide range of products and capabilities that integrate perfectly - like our molecular diagram below - to provide a complete door security and functionality solution. There is a catalogue for every category below and you can find our products online at www.abloy.co.uk.

To gain advice or expertise with planning, specification and implementation of any door solution, call us on +44 (0)1902 364500.



Handing

The correct hand of a door can be selected using this diagram. Standing inside the box looking out, choose your door hand from 1 to 4, determined by the hinge side and if the door opens inwards or outwards.



The key flag logo confirms that ABLOY® products have a Finnish origin

Finnish-made ABLOY® products are known worldwide for their high quality and performance; globally ABLOY® is the leader in high quality locking solutions. You can be confident that the products in this catalogue have been manufactured in Finland to the highest standards.

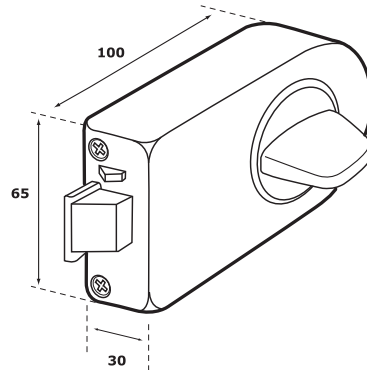
Mortice lock packages

Security made simpler

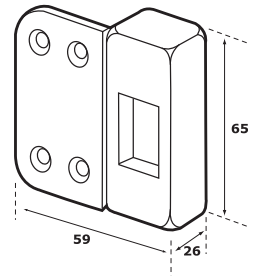
To make the process of specifying the correct lock even easier, we have developed a range of ABLOY® mortice lock packages which include the cylinder and strike plate with suggested handles to choose from where applicable. Each ABLOY® mortice lockcase is of course also available separately.

RI series**Rim locks for wooden doors****General**

- Lockcase and strike: black nickel finish
- Complete with cylinder, strike and door pull (where applicable)
- Alternative strikes available

**RI410**

Strike for use on inward opening doors

**RI010**

- Automatic deadlocking
- Bolt retained by pressing into lockcase
- Released by inside turn
- Available in Protec/Novel only

Pack includes

Lockcase: RI1211
 Cylinder: CY053
 Door pull: 411384
 Strike: RI410

**RI213**

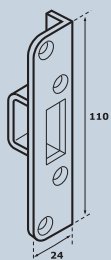
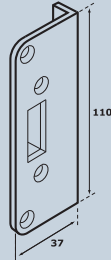
- Non deadlocking
- Bolt cannot be retained in lockcase
- Use with electric strikes

Order as separate items:

Lockcase: RI213
 Cylinder: CY053
 Door pull: 411384
 Strike: RI410

Strike plates

for RI series rim locks

**RI401****RI402**

4190 series

Automatic deadlocking mortice locks for wooden doors

For use with handles

Features

- Deadlocking bolt
- Snib on forend controls function (2 position options):
 1. Deadlocking
 2. Non-deadlocking handle operation
- Anti-tamper version available (4190T)
- Rebate sets available (see page 19)

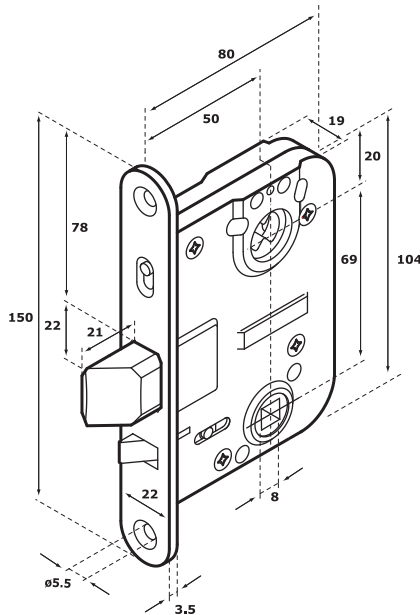
- Available with single pole microswitch
- Supplied with strike (ref: 4690)
- For use with 6/007 or 60-0519-PSS handles (not included) Please see page 18

Finish

Chrome standard

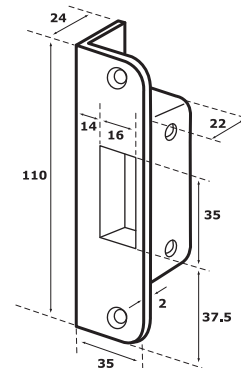
▼
4190

Lockcase

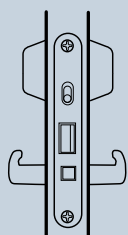


▼
4690

Strike

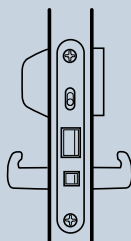


Lock packages



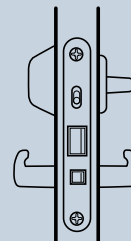
▼
2390

Lockcase
4190
Double cylinder
CY002
Strike
4690
60-0519 handle required



▼
2490

Lockcase
4190
**Cylinder outside/
blanking plate inside**
CY016/Plate 1
Strike
4690
60-0519 handle required



▼
2590

Lockcase
4190
**Cylinder outside/
thumbturn inside**
CY001
Strike
4690
60-0519 handle required

4194E series

Automatic deadlocking mortice lock for wooden doors - inside handle operation

Features

- Automatic deadlocking
- Permanent exit via inside handle
- Rebate sets available (see page 19)
- Package includes lockcase, cylinder, strike and handle

- Supplied with strike (ref: 4690)
- Suitable for use on fire route doors when used with correct hardware
- Complies with EN1125 when used with PBE-001

Finish

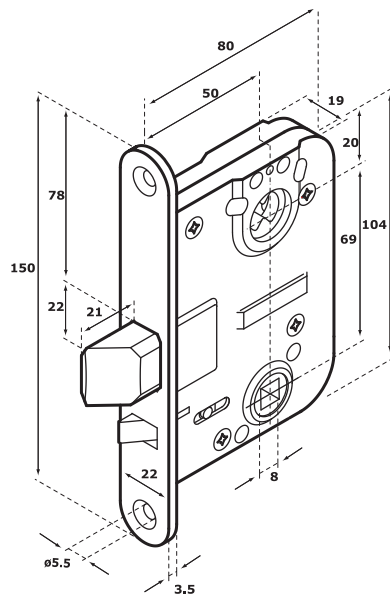
Chrome standard

Rebate kits

Reb1 and Reb3

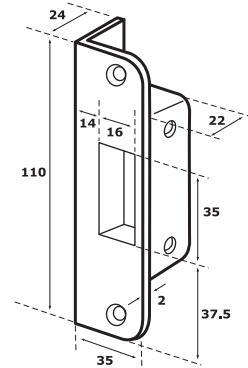
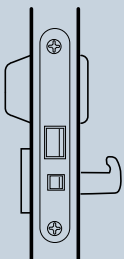
▼
4194E

Lockcase



▼
4690

Strike

**Lock package**

▼
2590FP

Lockcase
4194E

Cylinder outside/
blanking plate inside
CY016/Plate 1

Strike
4690

Handle
60-0219-PSS

EN1125 solution

Panic bar

PBE-001

New
Product



4195 series

Automatic deadlocking mortice locks for wooden doors

Features

- Bolt deadlocks automatically
- Snib on forend controls function (2 position options):
 1. Deadlocking
 2. Bolt retained in lockcase

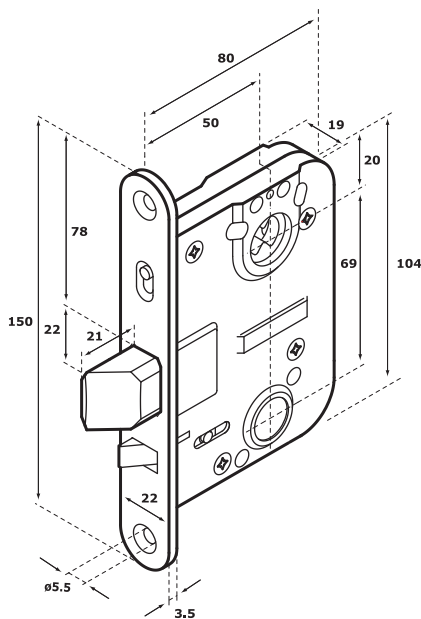
- Anti-tamper version available (4195T)
- Supplied with strike (ref: 4690)
- Rebate sets available (see page 19)
- Not suitable for use on fire route doors

Finish

Chrome standard

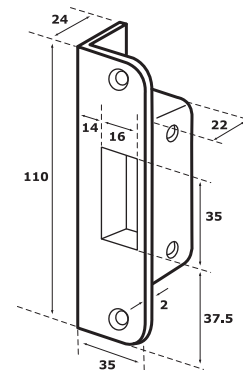
4195

Lockcase

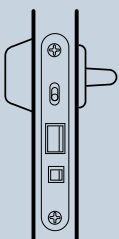


4690

Strike



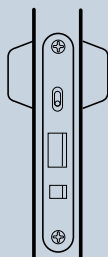
Lock packages



2295

Lockcase
4195
Cylinder outside/
thumbturn inside
CY001
Strike
4690

*Please note this package does not comply with escape standards



2195

Lockcase
4195
Double cylinder
CY002
Strike
4690



2495

Lockcase
4195
Cylinder outside/
blanking plate inside
CY016/Plate 1
Strike
4690

4197 series

Non-deadlocking
mortice locks for
wooden doors

Features

- Non-deadlocking bolt
- Non holdback/always locking
- Can be used with electric strikes (for example effeff Profix range)
- Rebate sets available (see page 19)

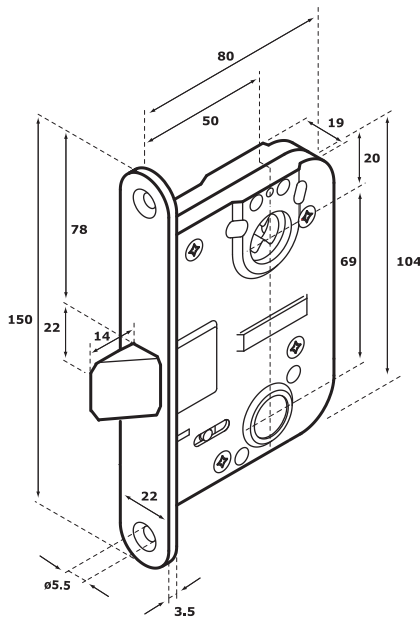
- Not suitable for use on fire route doors
- Supplied with strike (ref: 4690)

Finish

Chrome standard

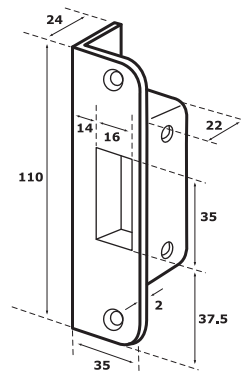
▼
4197

Lockcase

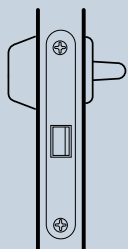
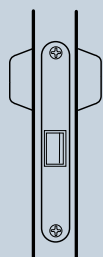


4690

Strike



Lock packages

▼
2297Lockcase
4197Cylinder outside/
thumbturn inside
CY001Strike
4690*Please note this package
does not comply with
escape standards▼
2197Lockcase
4197Double cylinder
CY002Strike
4690▼
2497Lockcase
4197Cylinder outside/
blanking plate inside
CY016/Plate 1Strike
4690

4922 series

Automatic deadlocking latches for narrow stile doors - for use with handles

Features

- Snib on forend controls function (3 position options):
- 1 Deadlocking
 - 2 Non-deadlocking handle operation
 - 3 Bolt retained in lockcase

- Suitable for use with 60-1119-PSS or 3-20/0648-PSS handles (not included) Please see page 18.
- Backset: 29mm as standard (30.5mm and 35mm special order)
- Not suitable for use on fire route doors

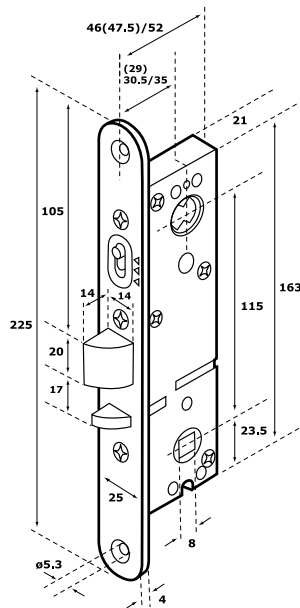
- Supplied with strike (ref: 4613)

Finish

Chrome standard

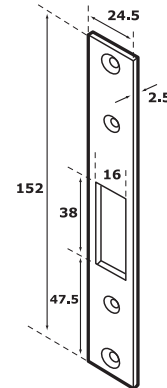
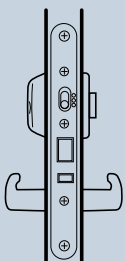
▼
4922

Lockcase



▼
4613

Strike

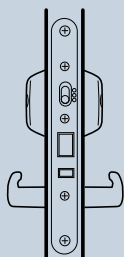
**Lock packages**

▼
2522

Lockcase
4922

**Cylinder outside/
thumbturn inside**
CY066

Strike
4613
60-0519 handle
required

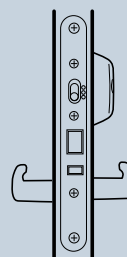


▼
2322

Lockcase
4922

Double cylinder
CY067

Strike
4613
60-0519 handle
required



▼
2622

Lockcase
4922

Inside Cylinder
CY068

Strike
4613
60-0519 handle
required

4956 series**Mortice deadlocks for narrow stile doors****Features**

- Key operated deadlocking
- Case hardened steel hookbolt
- Available with single pole microswitch
- One way action
- Two way action available (LC307)

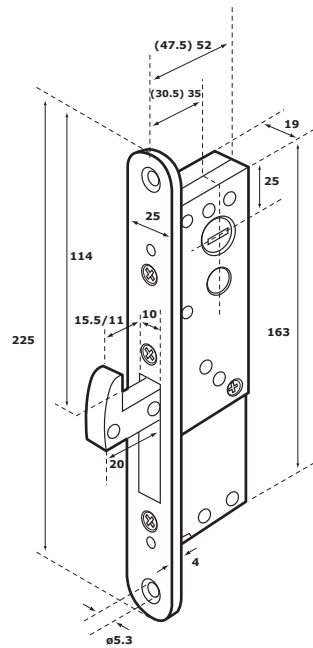
- Supplied with strike (ref: 4655)
- Backset: 30.5mm as standard (35mm special order)
- Not suitable for use on fire route doors

Finish

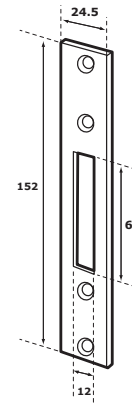
Chrome standard

**4956**

Lockcase

**4655**

Strike

**Lock packages****2456****Lockcase**

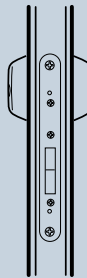
4956

Outside cylinder

CY063

Strike

4655

**2356****Lockcase**

4956

Double cylinder

CY065

Strike

4655

**2656****Lockcase**

4956

Inside Cylinder

CY064

Strike

4655

LC211 series**Mortice deadlocks for wooden doors****Protec, Novel (single cylinder only)****Features**

- Key operated deadlocking
- Case hardened steel bolt
- Available with single pole microswitch

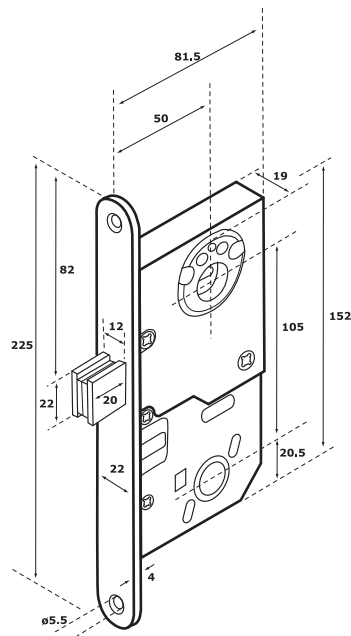
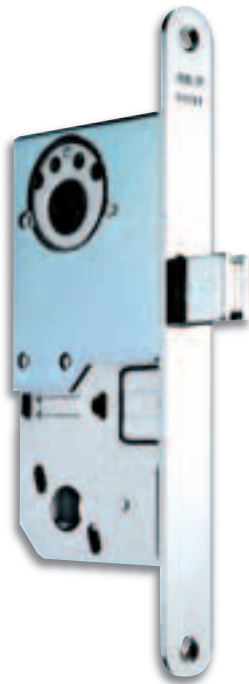
- Supplied with strike (ref: 4690)
- Two way action
- Not suitable for use on fire route doors

Finish

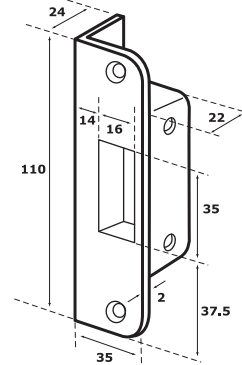
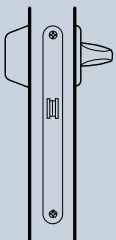
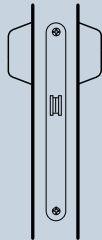
Chrome standard

LC211

Lockcase

**4690**

Strike

**Lock packages****2211****Lockcase**
LC211**Cylinder/thumbturn**
CY201/6407**Strike**
4690**2111****Lockcase**
LC211**Double cylinder**
CY040**Strike**
4690

*Please note, this package does not comply with escape standards



LE180 Series

Automatic deadlocking escape lock for wooden doors

Suitable for fire doors

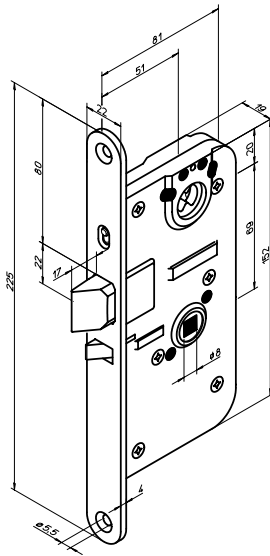
EN179 and EN1125 compliant

The lock is opened from outside with key only and from inside with lever handle, push pad or panic bar

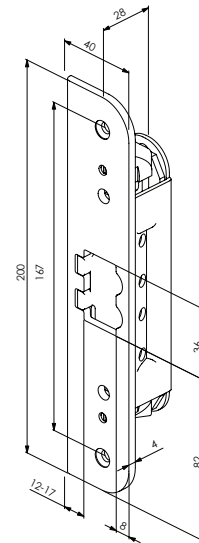
Features

- Lever handle function
- Split spindle
- Deadlocking, latchbolt protrudes 17 mm when door closed
- In day use latchbolt protrudes 14 mm (handle use only)
- Available in ABLOY® hand 1,2,3 and 4

▼
LE180
Lockcase



LP711
Strike

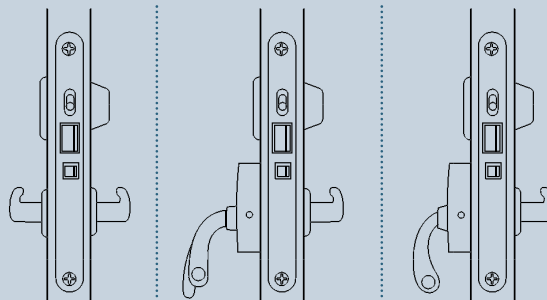


TECHNICAL DATA

Strike	LP711
Cylinder	CY037-PT-PC-DF
Handle set	3-20/032(pr) inc split spindle for 44-61mm door
EN179 solution	3-20/032(pr) inc split spindle with PPE001

EN1125 solution

Panic bar	3-20/032(pr) inc split spindle with PBE001
------------------	--



LE180 Series

Automatic deadlocking escape lock for wooden doors

Suitable for fire doors

EN179 and EN1125 compliant

The lock is opened from outside with key only and from inside with lever handle, push pad or panic bar

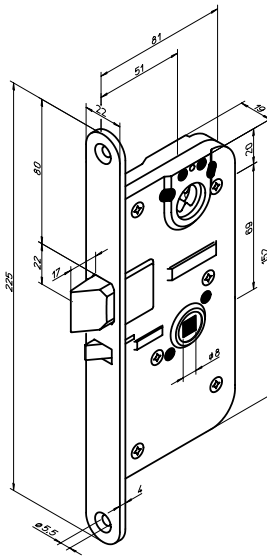
Features

- Door pull function - pull handle after turning cylinder
- Deadlocking, latchbolt protrudes 17 mm when door is closed
- No day use function



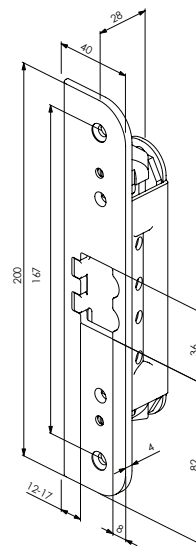
LE184

Lockcase



LP711

Strike

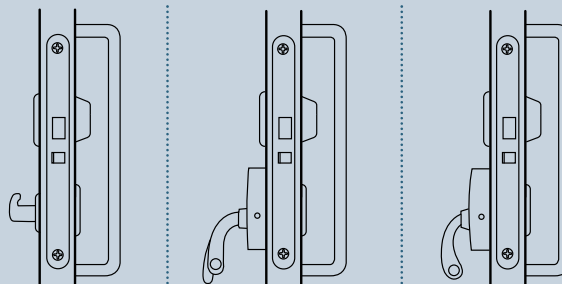


TECHNICAL DATA

Strike	LP711
Cylinder	CY037-PT-PC-DF
Handle set	3-20/030 (single) / 60-219-PSS
EN179 solution	PPE002

EN1125 solution

Panic bar	PBE002
-----------	--------





LE180 Series

Automatic deadlocking escape lock for wooden doors

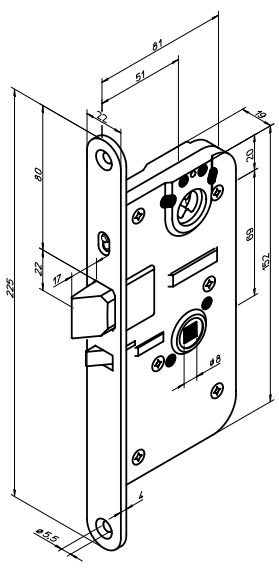
EN179 and EN1125 compliant

The lock is opened from outside with key only and from inside with lever handle, push pad or panic bar

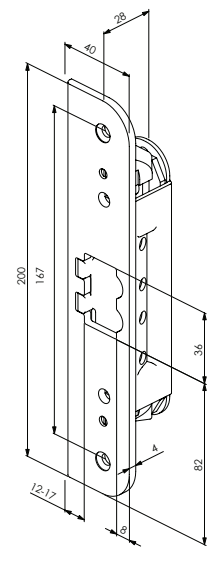
Features

- Door pull function
- Deadlocking, latchbolt protrudes 17 mm when door is closed
- In day use latchbolt inside the lock case
- Not suitable for fire doors

▼ **LE185**
Lockcase

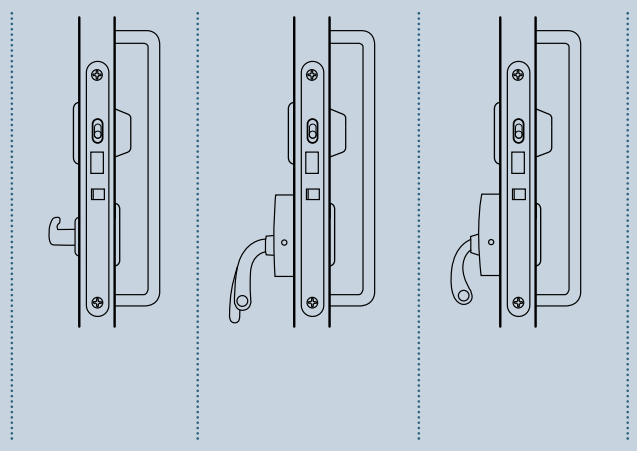


▼ **LP711**
Strike



TECHNICAL DATA	
Strike	LP711
Cylinder	CY037-PT-PC-DF
Handle set	3-20/030 (single) / 60-219-PSS
EN179 solution	3-20/030 (single) or PPE002

EN1125 solution	
Panic bar	PBE002



LE310 series

Automatic deadlocking escape lock for metal doors

EN179 & EN1125 compliant

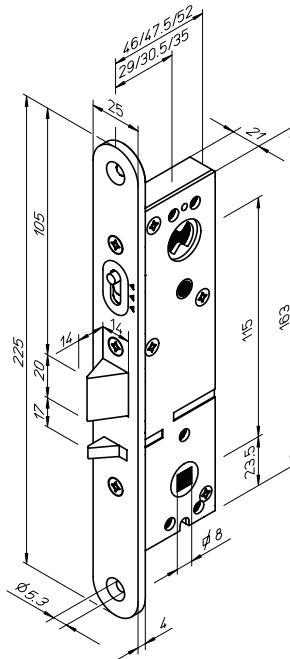
Suitable for fire doors

Lock is opened from outside with key only and from inside with lever handle, push bar or panic bar

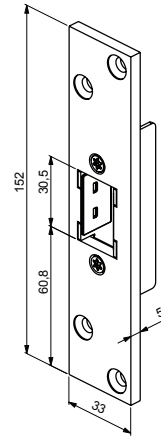
Features

- Lever handle function
- Split spindle
- Deadlocking, latchbolt protrudes 14 mm when door is closed
- In day use latchbolt protrudes 14 mm

▼
LE310
Lockcase



▼
LP703
Strike

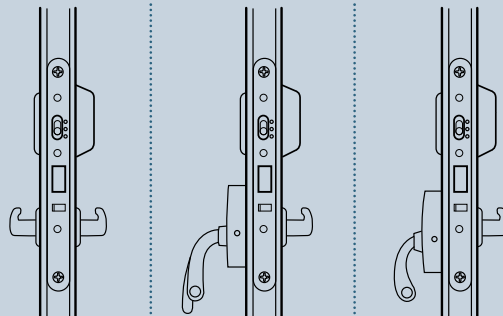


TECHNICAL DATA

Strike	LP703 (inc)
Cylinder	CY047-PT-PC-DF
Handle set	3-20/0650 (pr) inc split spindle for 38-54mm door
EN179 solution	3-20/0650(pr) inc split spindle with PPE001

EN1125 solution

Panic bar	3-20/0650(pr) inc split spindle with PBE001
------------------	---



LE310 series

Automatic deadlocking
escape lock for metal
doors

EN179 and EN1125
compliant

Suitable for fire doors

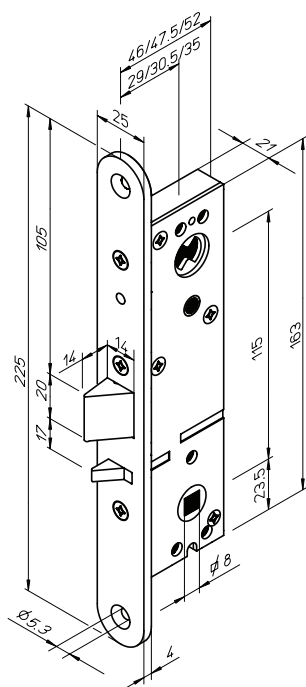
Lock is opened from
outside with key only
and from inside with
lever handle, push bar
or panic bar

Features

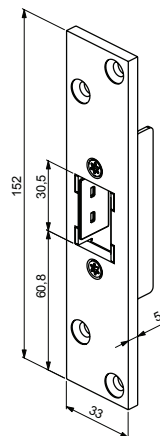
- Door pull function
- Deadlocking, latchbolt protrudes 14 mm when door is closed
- No day use function

▼
LE314

Lockcase

▼
LP703

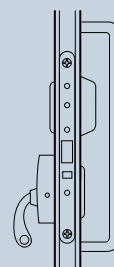
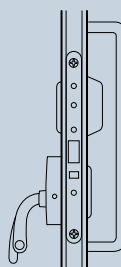
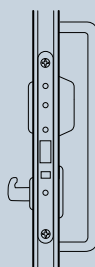
Strike

**TECHNICAL DATA**

Strike	LP703 (inc)
Cylinder	CY047-PT-PC-DF
Handle set	3-20/0630
EN179 solution	3-20/0630 or PPE003

EN1125 solution

Panic bar	PBE003
------------------	--------



LE310 series

Automatic deadlocking escape lock for metal doors

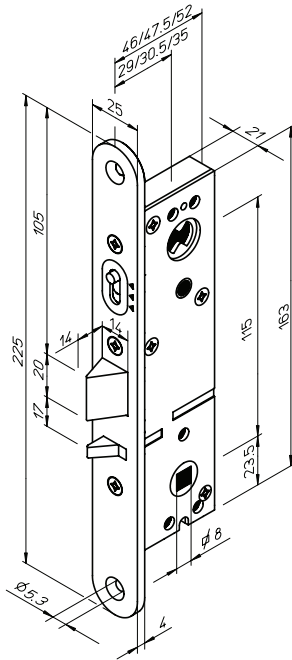
EN179 and EN1125 compliant

Lock is opened from outside with key only and from inside with lever handle, push bad or panic bar

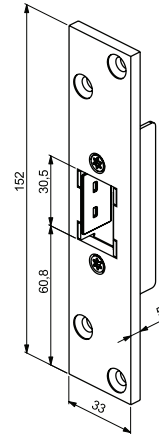
Features

- Door pull function
- Deadlocking, latchbolt protrudes 14 mm when door is closed
- In day use latchbolt inside the lock case

▼
LE315
Lockcase



▼
LP703
Strike

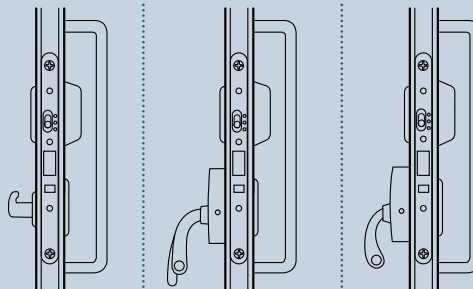
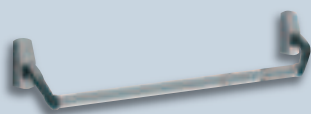


TECHNICAL DATA

Strike	LP703 (inc)
Cylinder	CY047-PT-PC-DF
Handle set	3-20/0630
EN179 solution	3-20/0630 or PPE003

EN1125 solution

Panic bar	PBE003
-----------	--------



Futura lever handles

Features

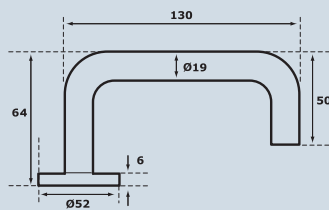
- Meets the requirements of BS EN179 for escape levers
- Handle dimensions meet the requirements of the Disability Discrimination Act (1995) and Equality Act (2010)
- 'Return to door' design ideal for fire escape doors
- Fixing plates are made of stainless steel with 2 pairs of holes placed to suit DIN or Scandinavian standards
- Stainless steel tube, 1.25mm thick, to prevent overload of the lockcase, with no need for a support spring
- Supplied complete with relevant escutcheons, roses/plates and fixings



Lever on round rose

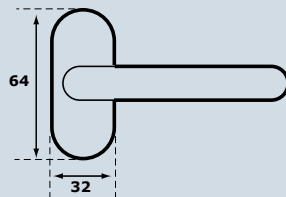
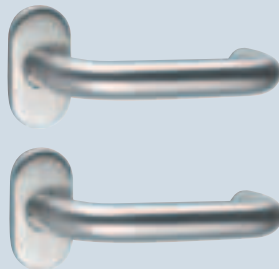
▼
60-0219-PSS

▼
60-0519-PSS



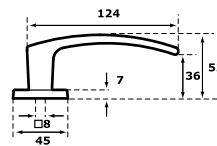
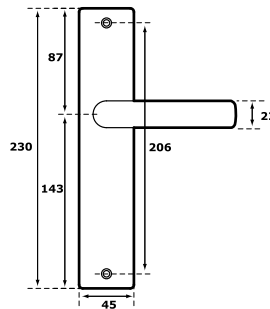
Narrow rose

▼
60-1119-PSS

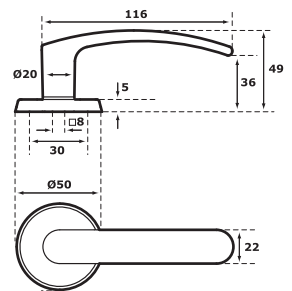


Abloy handles

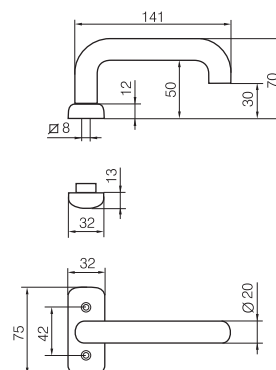
▼
6/010PZ+BL



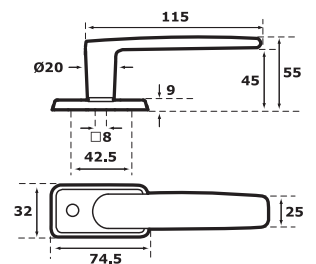
▼
6/007



▼
3-20/630

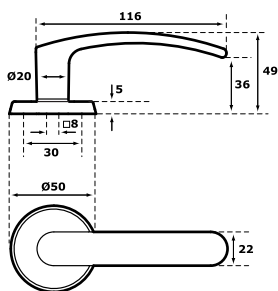


▼
4/0645

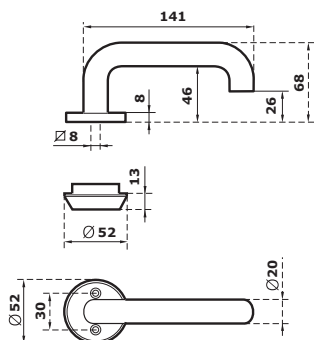


Presto lever handles

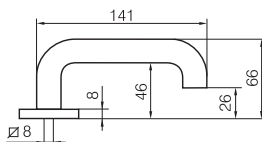
6/004PZ+BL



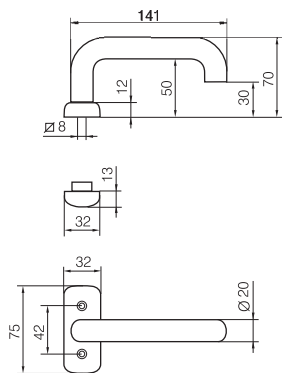
3-20/030



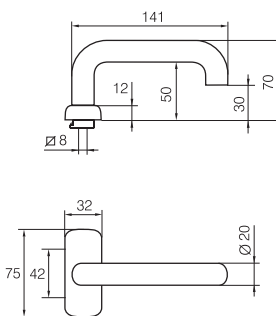
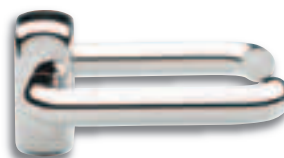
3-20/032



3-20/0630



3-20/0650



Rebate kits

REB 1

12mm

REB 2

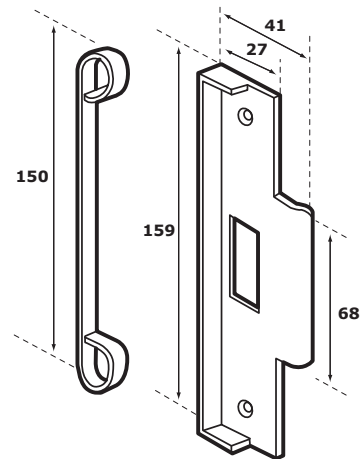
12mm

REB 3

25mm

REB 8

25mm



COMPATIBILITY	4190	4194E	4922	LE180	LE184	LE185	LE310	LE314	LE315
60-0519	•								
60-0219		•			•	•			
60-1119			•						
3-20/032				•					
3-20/030					•	•			
3-20/650							•		
3-20/630								•	•

COMPATIBILITY	REB1 12mm	REB3 25mm
4190	•	•
4194	•	•
4195	•	•

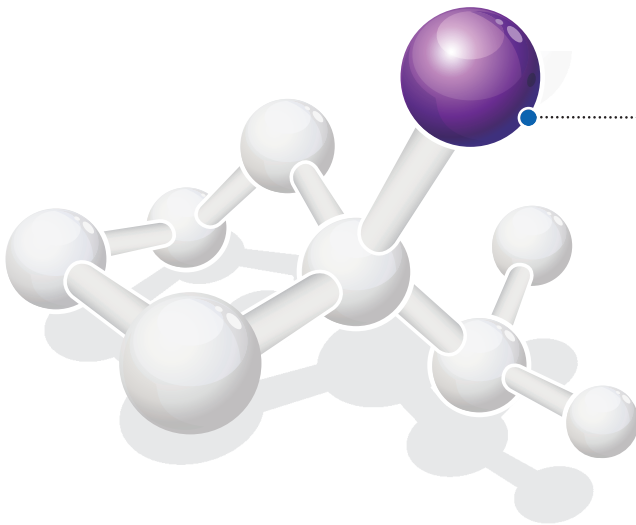
Abloy UK
School Street
Willenhall, West Midlands
WV13 3PW

Phone +44 (0)1902 364500
Fax +44 (0)1902 364501
Email sales@abloy.co.uk
www.abloy.co.uk

Direct line - Sales Office
0845 071 3844 (UK only)
Direct line - Customer Services
0845 071 3855 (UK only)
Calls charged at local network rates

From product supply through to planned and implemented door control solutions... it's in our DNA

We are the UK's leading experts on door locking and functionality. Our product range, including rim and mortice locks, connects like the molecular diagram below, to form complete, secure, compliant and lasting solutions trusted by organisations around the UK and Ireland for whom compromise is not an option.



Product supply >

Simply order the products you need from our friendly and knowledgeable staff

Expertise >

Helpful advice when you need it from our door control specialists

Planning and specification >

For larger projects, call on us for full service assessment and planning of your needs, from fire exiting and compliance to master key strategies

Due to a continuous programme of development, Abloy UK reserves the right to make alterations without notice. For technical reasons connected with colour reproduction the colours shown may vary slightly from those of the product. All dimensions provided within this catalogue are approximate and for guidance only.

E. & O. E. For terms and conditions of sale, please refer to the current price list.

Abloy UK markets high quality products and accessories for security applications. Our customer base provides solutions to a broad spectrum of public and private organisations throughout the UK and Ireland.

