

ROCK
DOOR[®]

Technical Manual

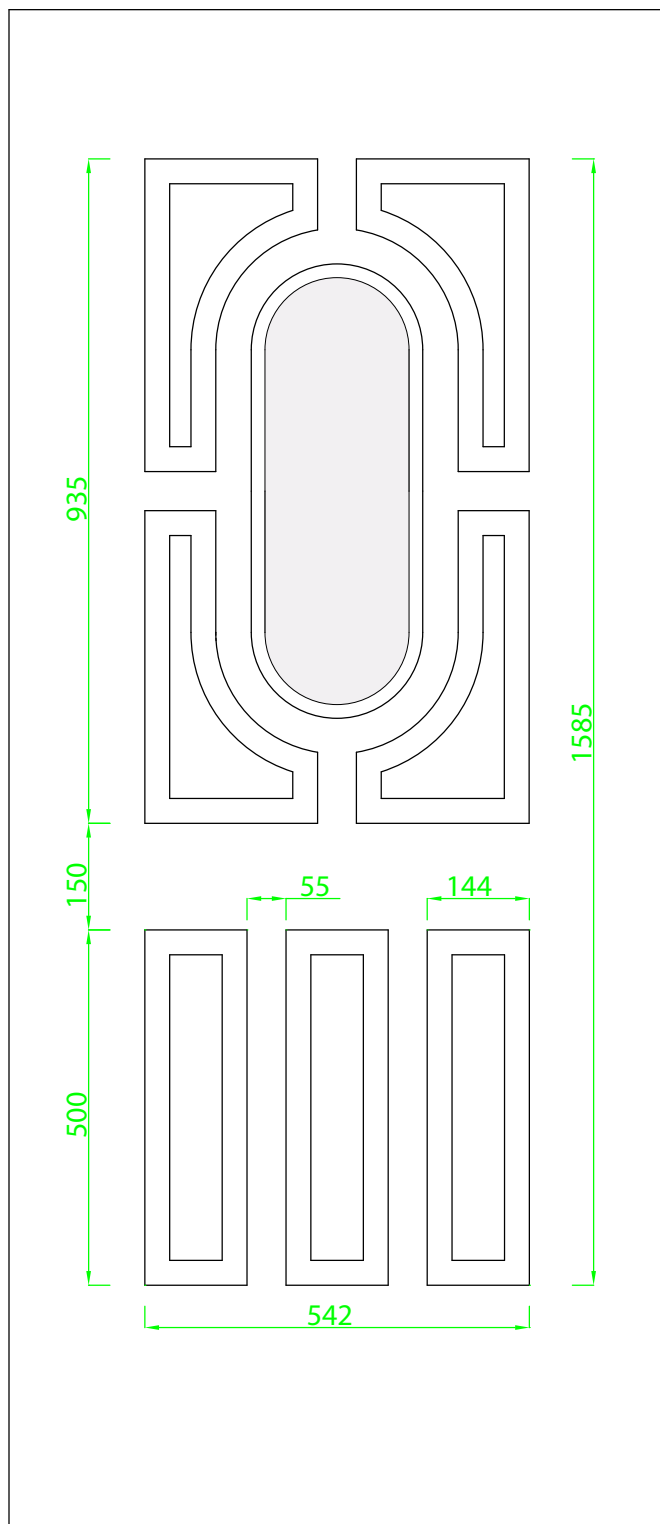


REVISION 6



CONTENTS

- ROCKDOOR** ▶ Inner Frame Detail
- THRESHOLD** ▶ All Threshold Detail
 - ▶ PVC Threshold Detail
 - ▶ Cill Detail
 - ▶ Tie Bar Detail
- FRAME** ▶ Outer Frame Detail
 - ▶ Add On / Frame Extension
 - ▶ Side Frame Detail
 - ▶ Coupling Bar Detail
 - ▶ Side Frame / Coupling Bar Max Sizes
 - ▶ Side Frame Min Sizes / Transoms
 - ▶ Moulded Panels
 - ▶ Clear Opening
 - ▶ Internal Floor Level Clearance
 - ▶ Restrictor Details
- FURNITURE** ▶ Handle Details
 - ▶ Bar Handle Details
 - ▶ Standard Letterplate
 - ▶ Stainless Steel Letterplate
 - ▶ TS008 Letterplate
 - ▶ Hinge
 - ▶ Round Knocker
 - ▶ Round Knob
 - ▶ Door Pull
- LOCKS** ▶ 2 Hook Lock
 - ▶ 4 Hook Lock
 - ▶ AV Options
 - ▶ Electric Latch Release
 - ▶ Switch Latch
- SPECIALIST** ▶ AV3 with Switch
- TESTING** ▶ Secured By Design
 - ▶ Energy Ratings
 - ▶ PAS24
 - ▶ Replacement Parts
- STYLES** ▶ Arcacia
 - ▶ Campus
 - ▶ Carolina
 - ▶ Classic
 - ▶ Classic French Door
 - ▶ Colonial
 - ▶ Cottage spy view
 - ▶ Cottage view light
 - ▶ Dakota
 - ▶ Diamond
 - ▶ English cottage
 - ▶ Georgia
 - ▶ Illinois
 - ▶ Indiana
 - ▶ Jacobean
 - ▶ Kentucky
 - ▶ Manhattan
 - ▶ Montana
 - ▶ Newark
 - ▶ Portland
 - ▶ Philadelphia
 - ▶ Regency
 - ▶ Stable diamond view
 - ▶ Stable spy view
 - ▶ Stable view light
 - ▶ Tennessee
 - ▶ Tongue and groove 5
 - ▶ Vermont
 - ▶ Virginia
 - ▶ Vogue
 - ▶ Vogue French
 - ▶ Windsor



Door Sash

Width

Max: 908mm

Min: 710mm

Height

Max: 2098mm

Min: 1763mm

Profile Dimensions:

72 Frame: 52mm+4mm air gap = **56mm**

52 Frame: 32mm+4mm air gap = **36mm**

Ali low threshold open IN = 20mm

Ali low threshold open OUT = 17mm

Cill = 30mm

Width

72 Frame

Max = (Max sash width + 56mm + 56mm)

Min = (Min sash width + 56mm + 56mm)

52 Frame

Max = (Max sash width + 36mm + 36mm)

Min = (Min sash width + 36mm + 36mm)

Height

72 Frame low threshold open IN

Max = (Max sash height + 56mm + 20mm)

Min = (Min sash height + 56mm + 20mm)

52 Frame low threshold open IN

Max = (Max sash height + 36mm + 20mm)

Min = (Min sash height + 36mm + 20mm)

Double Door Width 72mm Frame

Max = (Max sash width + Max sash width + 56mm + 56mm + 8mm)

Min = (Min sash width + Min sash width + 56mm + 56mm + 8mm)

PRESS GLAZING

UNIT THICKNESS: 22

UNIT SIZE: 246 x 668

APERTURE: 208x 630

PRESS BEAD GLAZING

UNIT THICKNESS: 24

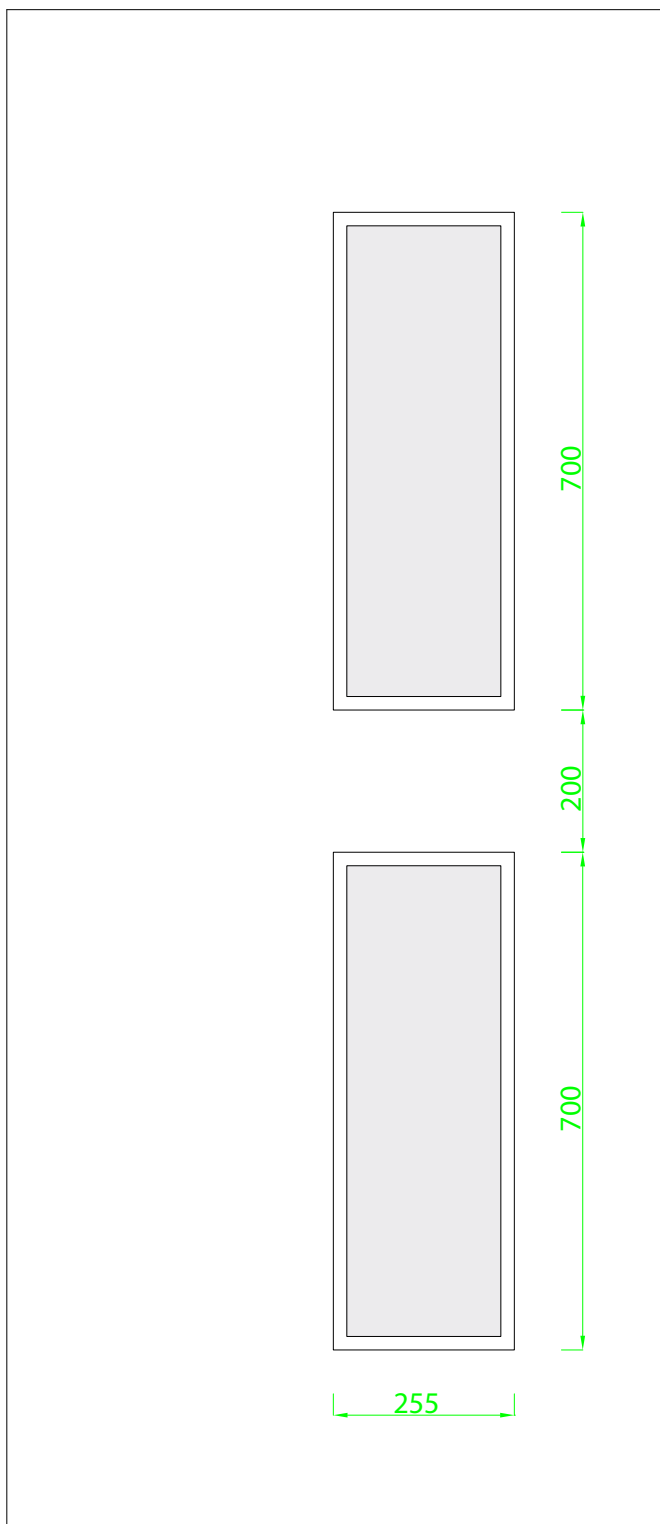
UNIT SIZE: 207 x 632

APERTURE: 182 x 604

The overall frame dimensions can be increased or reduced by using other profiles:

- Door Outer Frame ►
- PVC-U Thresholds ►
- Ali Thresholds / Tie Bars ►
- Cills ►
- Add On / Frame Extensions ►

Back to Contents ►



Door Sash

Width

Max: 908mm

Min: 713mm

Height

Max: 2098mm

Min: 1808mm

Profile Dimensions:

72 Frame: 52mm+4mm air gap = **56mm**

52 Frame: 32mm+4mm air gap = **36mm**

Ali low threshold open IN = 20mm

Ali low threshold open OUT = 17mm

Cill = 30mm

Width

72 Frame

Max = (Max sash width + 56mm + 56mm)

Min = (Min sash width + 56mm + 56mm)

52 Frame

Max = (Max sash width + 36mm + 36mm)

Min = (Min sash width + 36mm + 36mm)

Height

72 Frame low threshold open IN

Max = (Max sash height + 56mm + 20mm)

Min = (Min sash height + 56mm + 20mm)

52 Frame low threshold open IN

Max = (Max sash height + 36mm + 20mm)

Min = (Min sash height + 36mm + 20mm)

Double Door Width 72mm Frame

Max = (Max sash width + Max sash width + 56mm + 56mm + 8mm)

Min = (Min sash width + Min sash width + 56mm + 56mm + 8mm)

Press Glazing

Unit Thickness: 22

Unit Size: 185 X 630

Aperture: 148 X 590

Press Bead Glazing

Unit Thickness: 24

Unit Size: 185 X 630

Aperture: 148 X 590

The overall frame dimensions can be increased or reduced by using other profiles:

Door Outer Frame ►

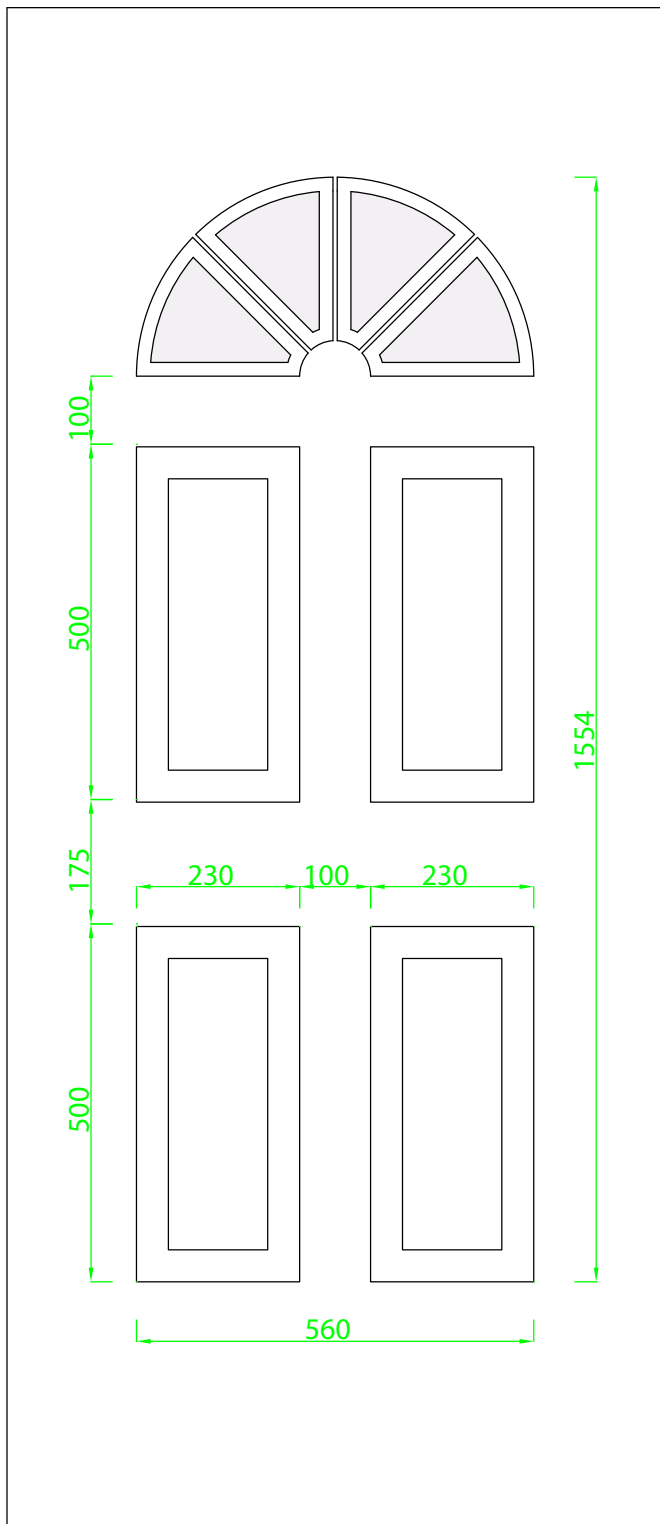
PVC-U Thresholds ►

Ali Thresholds / Tie Bars ►

Cills ►

Add On / Frame Extensions ►

Back to Contents ►



Door Sash

Width

Max: 908mm

Min: 769mm

Height

Max: 2098mm

Min: 1758mm

Profile Dimensions:

72 Frame: 52mm+4mm air gap = **56mm**

52 Frame: 32mm+4mm air gap = **36mm**

Ali low threshold open IN = 20mm

Ali low threshold open OUT = 17mm

Cill = 30mm

Width

72 Frame

Max = (Max sash width + 56mm + 56mm)

Min = (Min sash width + 56mm + 56mm)

52 Frame

Max = (Max sash width + 36mm + 36mm)

Min = (Min sash width + 36mm + 36mm)

72 Frame low threshold open IN

Max = (Max sash height + 56mm + 20mm)

Min = (Min sash height + 56mm + 20mm)

Height

52 Frame low threshold open IN

Max = (Max sash height + 36mm + 20mm)

Min = (Min sash height + 36mm + 20mm)

Double Door Width 72mm Frame

Max = (Max sash width + Max sash width + 56mm + 56mm + 8mm)

Min = (Min sash width + Min sash width + 56mm + 56mm + 8mm)

Press Glazing

Unit Thickness: 22

Unit Size: 560 X 275

Aperture: N/A

Press Bead Glazing

Unit Thickness: 24

Unit Size: 490 X 225

Aperture: 452 X 192

The overall frame dimensions can be increased or reduced by using other profiles:

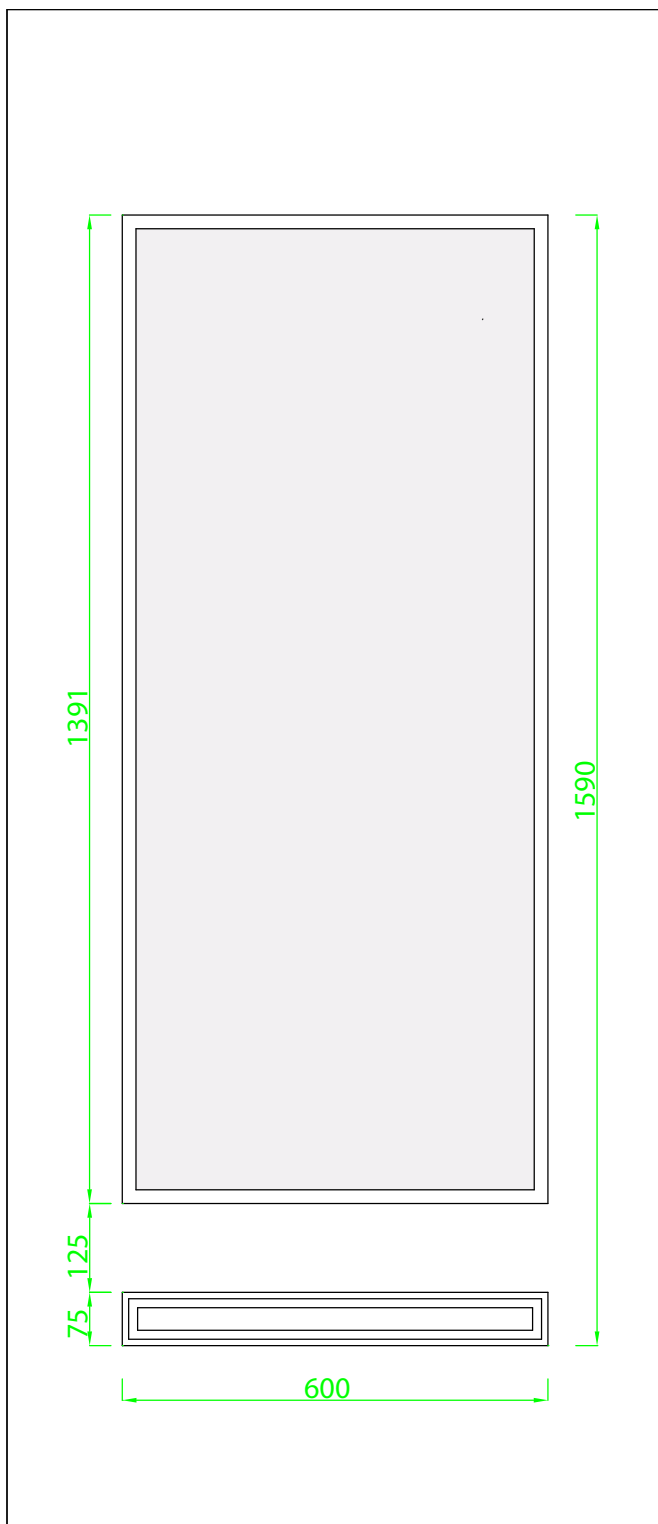
Door Outer Frame

PVC-U Thresholds

Ali Thresholds / Tie Bars

Cills

Add On / Frame Extensions



Door Sash

Width

Max: 908mm

Min: 808mm

Height

Max: 2098mm

Min: 1799mm

Profile Dimensions:

72 Frame: 52mm+4mm air gap = **56mm**

52 Frame: 32mm+4mm air gap = **36mm**

Ali low threshold open IN = **20mm**

Ali low threshold open OUT = **17mm**

Cill = **30mm**

Width

72 Frame

Max = (Max sash width + 56mm + 56mm)

Min = (Min sash width + 56mm + 56mm)

52 Frame

Max = (Max sash width + 36mm + 36mm)

Min = (Min sash width + 36mm + 36mm)

Height

72 Frame low threshold open IN

Max = (Max sash height + 56mm + 20mm)

Min = (Min sash height + 56mm + 20mm)

52 Frame low threshold open IN

Max = (Max sash height + 36mm + 20mm)

Min = (Min sash height + 36mm + 20mm)

Double Door Width 72mm Frame

Max = (Max sash width + Max sash width + 56mm + 56mm + 8mm)

Min = (Min sash width + Min sash width + 56mm + 56mm + 8mm)

Press Glazing

Unit Thickness: 22

Unit Size: 599 X 1390

Aperture: 565 X 1356

Press Bead Glazing

N/A

The overall frame dimensions can be increased or reduced by using other profiles:

Door Outer Frame ►

PVC-U Thresholds ►

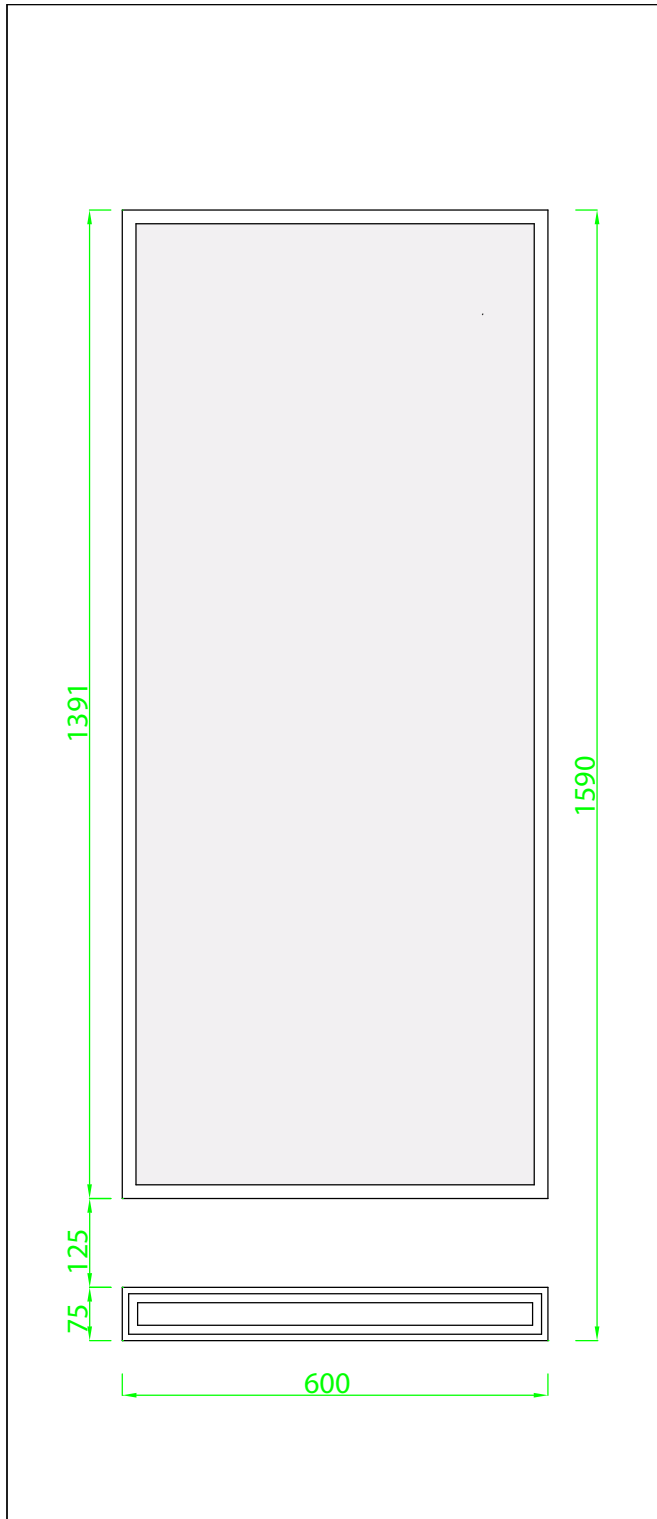
Ali Thresholds / Tie Bars ►

Cills ►

Add On / Frame Extensions ►

Back to Contents ►

CLASSIC FRENCH DOOR



Door Sash

Width

Max: 908mm

Min: 808mm

Height

Max: 2098mm

Min: 1799mm

Profile Dimensions:

72 Frame: 52mm+4mm air gap = **56mm**

52 Frame: 32mm+4mm air gap = **36mm**

Ali low threshold open **IN** = **20mm**

Ali low threshold open **OUT** = **17mm**

Cill = **30mm**

Height

72 Frame low threshold open IN

Max = (Max sash height + 56mm + 20mm)

Min = (Min sash height + 56mm + 20mm)

52 Frame low threshold open IN

Max = (Max sash height + 36mm + 20mm)

Min = (Min sash height + 36mm + 20mm)

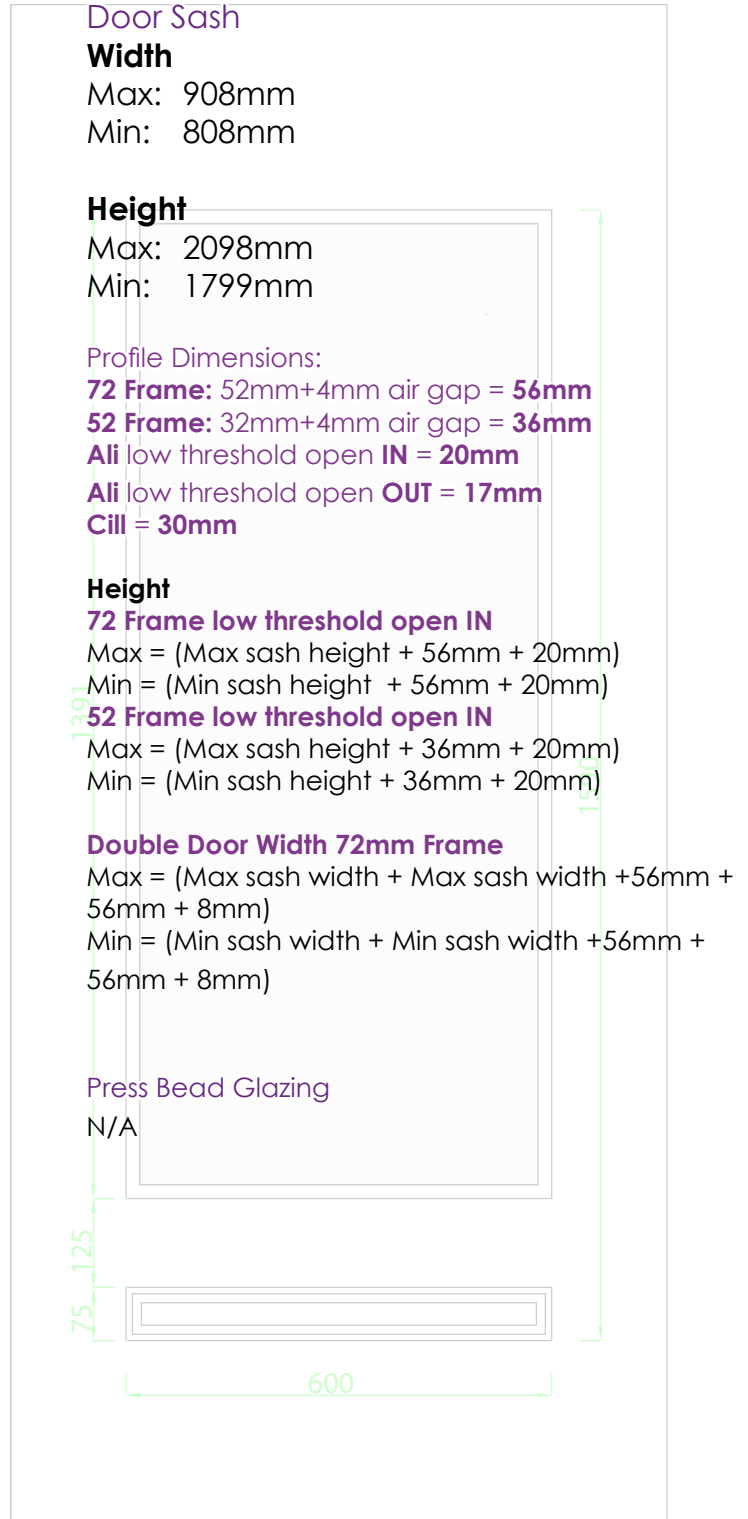
Double Door Width 72mm Frame

Max = (Max sash width + Max sash width + 56mm + 56mm + 8mm)

Min = (Min sash width + Min sash width + 56mm + 56mm + 8mm)

Press Bead Glazing

N/A



The overall frame dimensions can be increased or reduced by using other profiles:

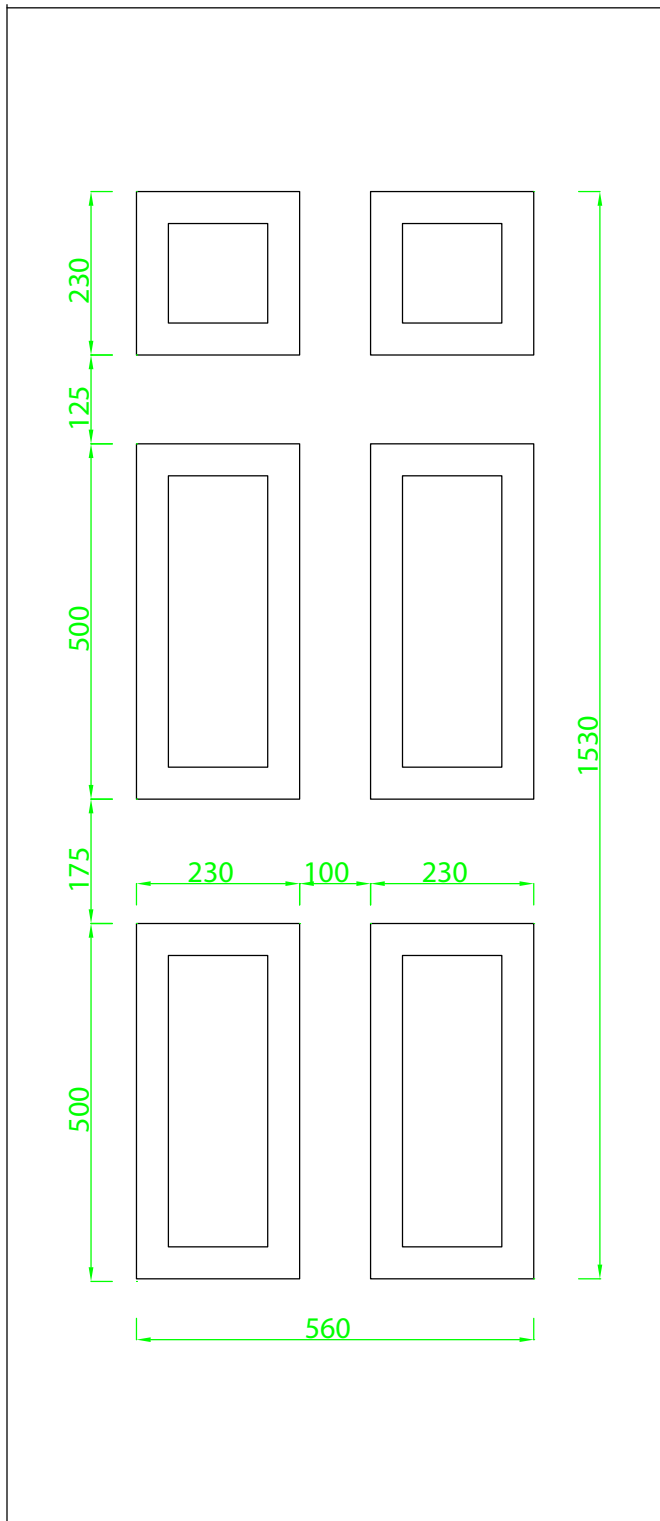
Door Outer Frame ►

PVC-U Thresholds ►

Ali Thresholds / Tie Bars ►

Cills ►

Add On / Frame Extensions ►



Door Sash

Width

Max: 908mm

Min: 729mm

Height

Max: 2098mm

Min: 1728mm

Profile Dimensions:

72 Frame: 52mm+4mm air gap = **56mm**

52 Frame: 32mm+4mm air gap = **36mm**

Ali low threshold open **IN** = **20mm**

Ali low threshold open **OUT** = **17mm**

Cill = **30mm**

Width

72 Frame

Max = (Max sash width + 56mm + 56mm)

Min = (Min sash width + 56mm + 56mm)

52 Frame

Max = (Max sash width + 36mm + 36mm)

Min = (Min sash width + 36mm + 36mm)

Height

72 Frame low threshold open IN

Max = (Max sash height + 56mm + 20mm)

Min = (Min sash height + 56mm + 20mm)

52 Frame low threshold open IN

Max = (Max sash height + 36mm + 20mm)

Min = (Min sash height + 36mm + 20mm)

Double Door Width 72mm Frame

Max = (Max sash width + Max sash width + 56mm + 56mm + 8mm)

Min = (Min sash width + Min sash width + 56mm + 56mm + 8mm)

Press Glazing

N/A

Press Bead Glazing

N/A

The overall frame dimensions can be increased or reduced by using other profiles:

Door Outer Frame ►

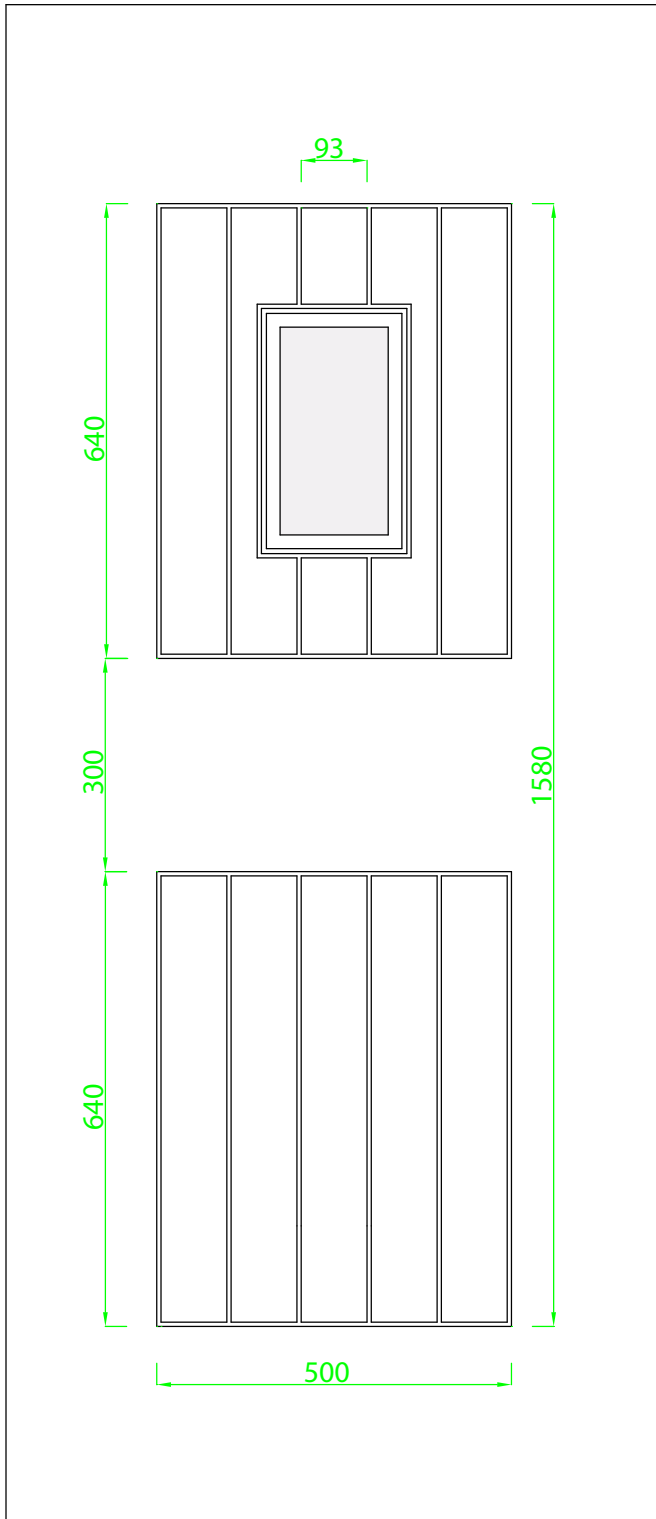
PVC-U Thresholds ►

Ali Thresholds / Tie Bars ►

Cills ►

Add On / Frame Extensions ►

Back to Contents ►



Door Sash

Width

Max: 908mm

Min: 673mm

Height

Max: 2098mm

Min: 1748mm

Profile Dimensions:

72 Frame: 52mm+4mm air gap = **56mm**

52 Frame: 32mm+4mm air gap = **36mm**

Ali low threshold open IN = 20mm

Ali low threshold open OUT = 17mm

Cill = 30mm

Width

72 Frame

Max = (Max sash width + 56mm + 56mm)

Min = (Min sash width + 56mm + 56mm)

52 Frame

Max = (Max sash width + 36mm + 36mm)

Min = (Min sash width + 36mm + 36mm)

72 Frame low threshold open IN

Max = (Max sash height + 56mm + 20mm)

Min = (Min sash height + 56mm + 20mm)

Height

52 Frame low threshold open IN

Max = (Max sash height + 36mm + 20mm)

Min = (Min sash height + 36mm + 20mm)

Double Door Width 72mm Frame

Max = (Max sash width + Max sash width + 56mm + 56mm + 8mm)

Min = (Min sash width + Min sash width + 56mm + 56mm + 8mm)

Press Glazing

Unit Thickness: 22

Unit Size: 150 X 300

Aperture: 109 X 252

Press Bead Glazing

Unit Thickness: 24

Unit Size: 114 X 255

Aperture: 85 X 226

The overall frame dimensions can be increased or reduced by using other profiles:

Door Outer Frame ►

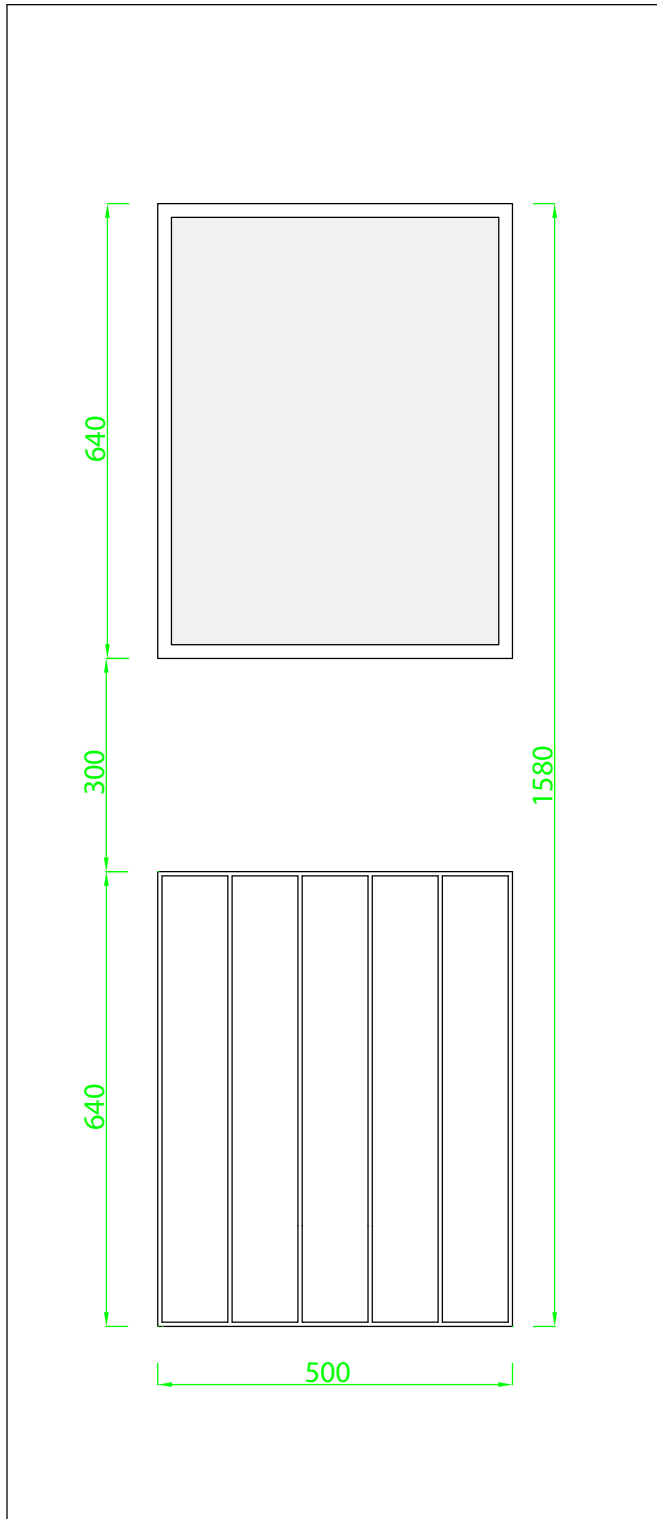
PVC-U Thresholds ►

Ali Thresholds / Tie Bars ►

Cills ►

Add On / Frame Extensions ►

Back to Contents ►



Door Sash

Width

Max: 908mm

Min: 708mm

Height

Max: 2098mm

Min: 1788mm

Profile Dimensions:

72 Frame: 52mm+4mm air gap = **56mm**

52 Frame: 32mm+4mm air gap = **36mm**

Ali low threshold open IN = **20mm**

Ali low threshold open OUT = **17mm**

Cill = **30mm**

Width

72 Frame

Max = (Max sash width + 56mm + 56mm)

Min = (Min sash width + 56mm + 56mm)

52 Frame

Max = (Max sash width + 36mm + 36mm)

Min = (Min sash width + 36mm + 36mm)

Height

72 Frame low threshold open IN

Max = (Max sash height + 56mm + 20mm)

Min = (Min sash height + 56mm + 20mm)

52 Frame low threshold open IN

Max = (Max sash height + 36mm + 20mm)

Min = (Min sash height + 36mm + 20mm)

Double Door Width 72mm Frame

Max = (Max sash width + Max sash width + 56mm + 56mm + 8mm)

Min = (Min sash width + Min sash width + 56mm + 56mm + 8mm)

Press Glazing

Unit Thickness: 22

Unit Size: 485 X 625

Aperture: 436 X 576

Press Bead Glazing

Unit Thickness: 24

Unit Size: 440 X 580

Aperture: 410 X 550

The overall frame dimensions can be increased or reduced by using other profiles:

Door Outer Frame ►

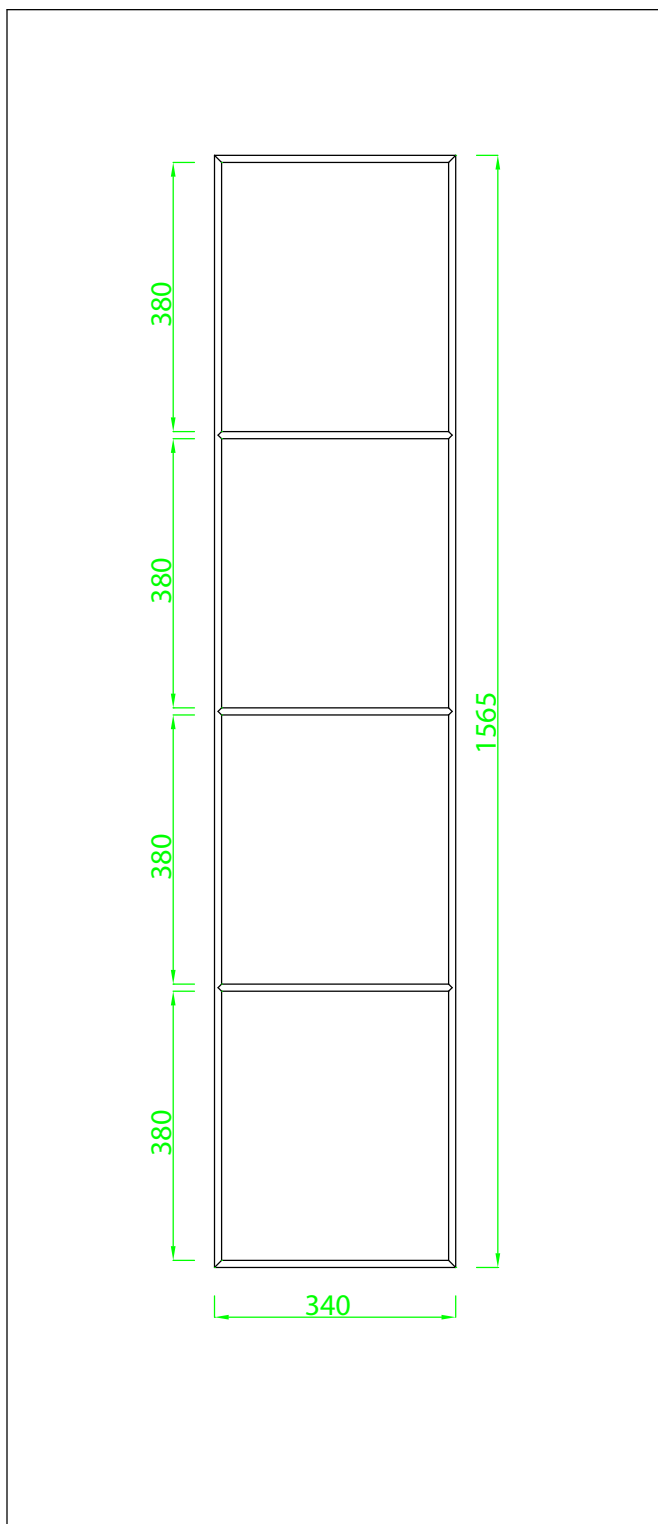
PVC-U Thresholds ►

Ali Thresholds / Tie Bars ►

Cills ►

Add On / Frame Extensions ►

Back to Contents ►



Door Sash

Width

Max: 908mm

Min: 679mm

Height

Max: 2098mm

Min: 1768mm

Profile Dimensions:

72 Frame: 52mm+4mm air gap = **56mm**

52 Frame: 32mm+4mm air gap = **36mm**

Ali low threshold open **IN** = **20mm**

Ali low threshold open **OUT** = **17mm**

Cill = **30mm**

Width

72 Frame

Max = (Max sash width + 56mm + 56mm)

Min = (Min sash width + 56mm + 56mm)

52 Frame

Max = (Max sash width + 36mm + 36mm)

Min = (Min sash width + 36mm + 36mm)

Height

72 Frame low threshold open IN

Max = (Max sash height + 56mm + 20mm)

Min = (Min sash height + 56mm + 20mm)

52 Frame low threshold open IN

Max = (Max sash height + 36mm + 20mm)

Min = (Min sash height + 36mm + 20mm)

Double Door Width 72mm Frame

Max = (Max sash width + Max sash width + 56mm + 56mm + 8mm)

Min = (Min sash width + Min sash width + 56mm + 56mm + 8mm)

The overall frame dimensions can be increased or reduced by using other profiles:

Door Outer Frame ►

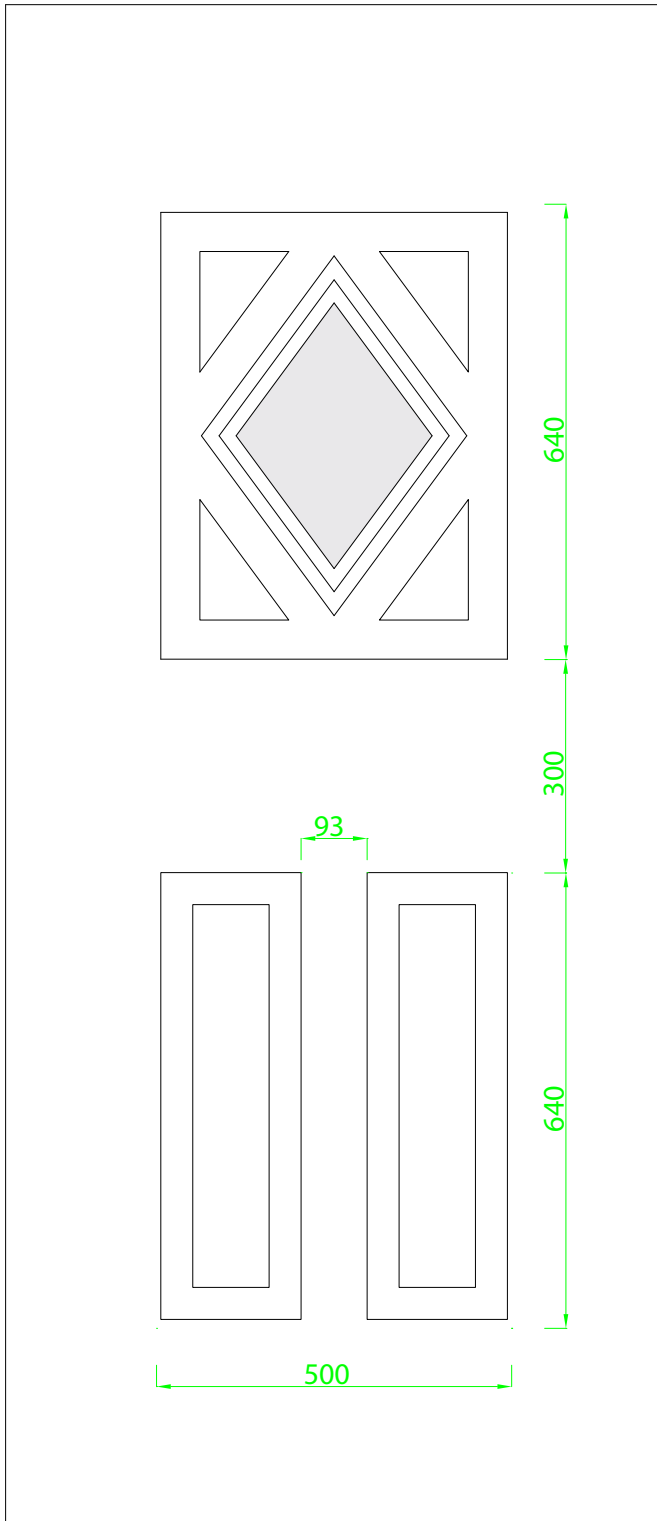
PVC-U Thresholds ►

Ali Thresholds / Tie Bars ►

Cills ►

Add On / Frame Extensions ►

Back to Contents ►



Door Sash

Width

Max: 908mm

Min: 696mm

Height

Max: 2098mm

Min: 1764mm

Profile Dimensions:

72 Frame: 52mm+4mm air gap = **56mm**

52 Frame: 32mm+4mm air gap = **36mm**

Ali low threshold open **IN** = **20mm**

Ali low threshold open **OUT** = **17mm**

Cill = **30mm**

Width

72 Frame

Max = (Max sash width + 56mm + 56mm)

Min = (Min sash width + 56mm + 56mm)

52 Frame

Max = (Max sash width + 36mm + 36mm)

Min = (Min sash width + 36mm + 36mm)

Height

72 Frame low threshold open IN

Max = (Max sash height + 56mm + 20mm)

Min = (Min sash height + 56mm + 20mm)

52 Frame low threshold open IN

Max = (Max sash height + 36mm + 20mm)

Min = (Min sash height + 36mm + 20mm)

Double Door Width 72mm Frame

Max = (Max sash width + Max sash width + 56mm + 56mm + 8mm)

Min = (Min sash width + Min sash width + 56mm + 56mm + 8mm)

Press Glazing

Unit Thickness: 22

Unit Size: 320 X 435

Aperture: 277 X 371

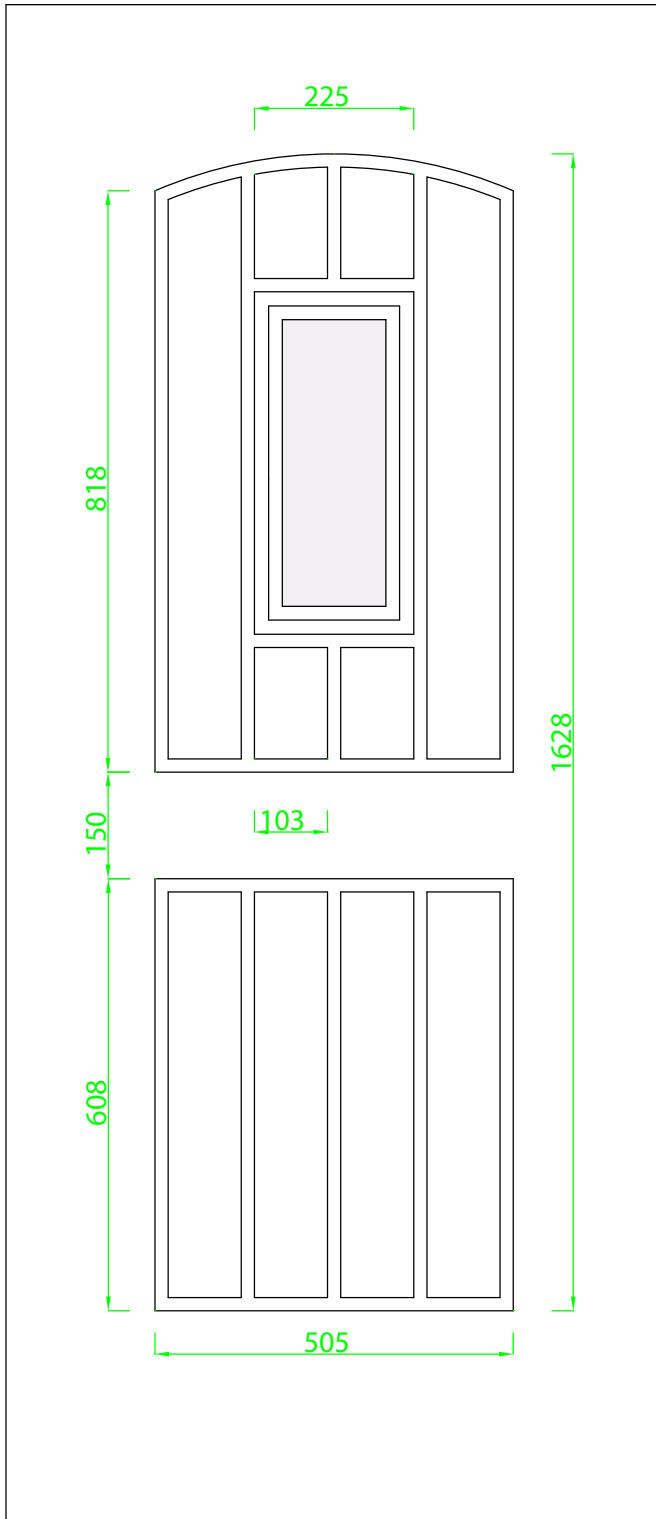
Press Bead Glazing

N/A

The overall frame dimensions can be increased or reduced by using other profiles:

- Door Outer Frame ►
- PVC-U Thresholds ►
- Ali Thresholds / Tie Bars ►
- Cills ►
- Add On / Frame Extensions ►

Back to Contents ►



Door Sash

Width

Max: 908mm

Min: 679mm

Height

Max: 2098mm

Min: 1796mm

Profile Dimensions:

72 Frame: 52mm+4mm air gap = **56mm**

52 Frame: 32mm+4mm air gap = **36mm**

Ali low threshold open IN = 20mm

Ali low threshold open OUT = 17mm

Cill = 30mm

Width

72 Frame

Max = (Max sash width + 56mm + 56mm)

Min = (Min sash width + 56mm + 56mm)

52 Frame

Max = (Max sash width + 36mm + 36mm)

Min = (Min sash width + 36mm + 36mm)

Height

72 Frame low threshold open IN

Max = (Max sash height + 56mm + 20mm)

Min = (Min sash height + 56mm + 20mm)

52 Frame low threshold open IN

Max = (Max sash height + 36mm + 20mm)

Min = (Min sash height + 36mm + 20mm)

Double Door Width 72mm Frame

Max = (Max sash width + Max sash width + 56mm + 56mm + 8mm)

Min = (Min sash width + Min sash width + 56mm + 56mm + 8mm)

Press Glazing

Unit Thickness: 22

Unit Size: 192 X 447

Aperture: 152 X 413

Press Bead Glazing

N/A

The overall frame dimensions can be increased or reduced by using other profiles:

Door Outer Frame ►

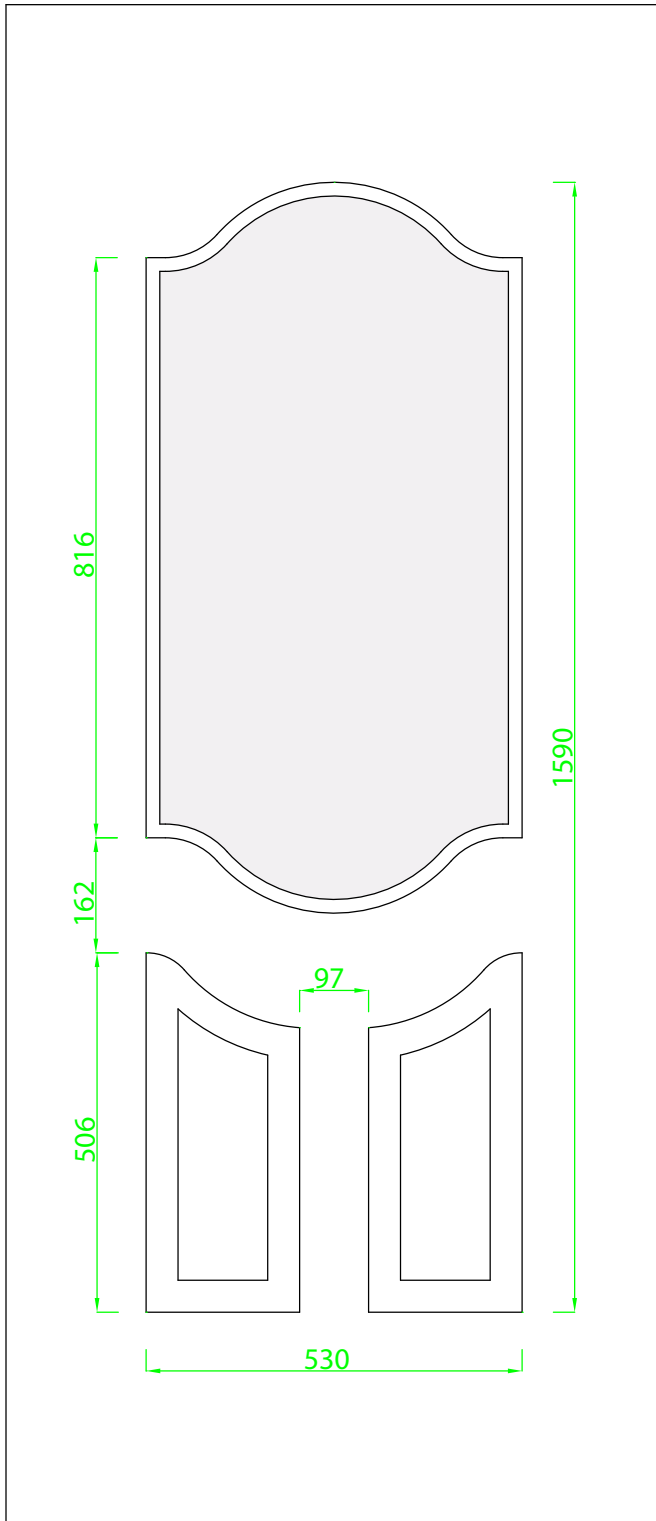
PVC-U Thresholds ►

Ali Thresholds / Tie Bars ►

Cills ►

Add On / Frame Extensions ►

Back to Contents ►



Door Sash

Width

Max: 908mm

Min: 724mm

Height

Max: 2098mm

Min: 1797mm

Profile Dimensions:

72 Frame: 52mm+4mm air gap = **56mm**

52 Frame: 32mm+4mm air gap = **36mm**

Ali low threshold open **IN** = **20mm**

Ali low threshold open **OUT** = **17mm**

Cill = **30mm**

Width

72 Frame

Max = (Max sash width + 56mm + 56mm)

Min = (Min sash width + 56mm + 56mm)

52 Frame

Max = (Max sash width + 36mm + 36mm)

Min = (Min sash width + 36mm + 36mm)

Height

72 Frame low threshold open IN

Max = (Max sash height + 56mm + 20mm)

Min = (Min sash height + 56mm + 20mm)

52 Frame low threshold open IN

Max = (Max sash height + 36mm + 20mm)

Min = (Min sash height + 36mm + 20mm)

Double Door Width 72mm Frame

Max = (Max sash width + Max sash width + 56mm + 56mm + 8mm)

Min = (Min sash width + Min sash width + 56mm + 56mm + 8mm)

Press Glazing

Unit Thickness: 22

Unit Size:

512 X 1008

Aperture:

462X (752 /961/752)

Press Bead Glazing

N/A

The overall frame dimensions can be increased or reduced by using other profiles:

Door Outer Frame ►

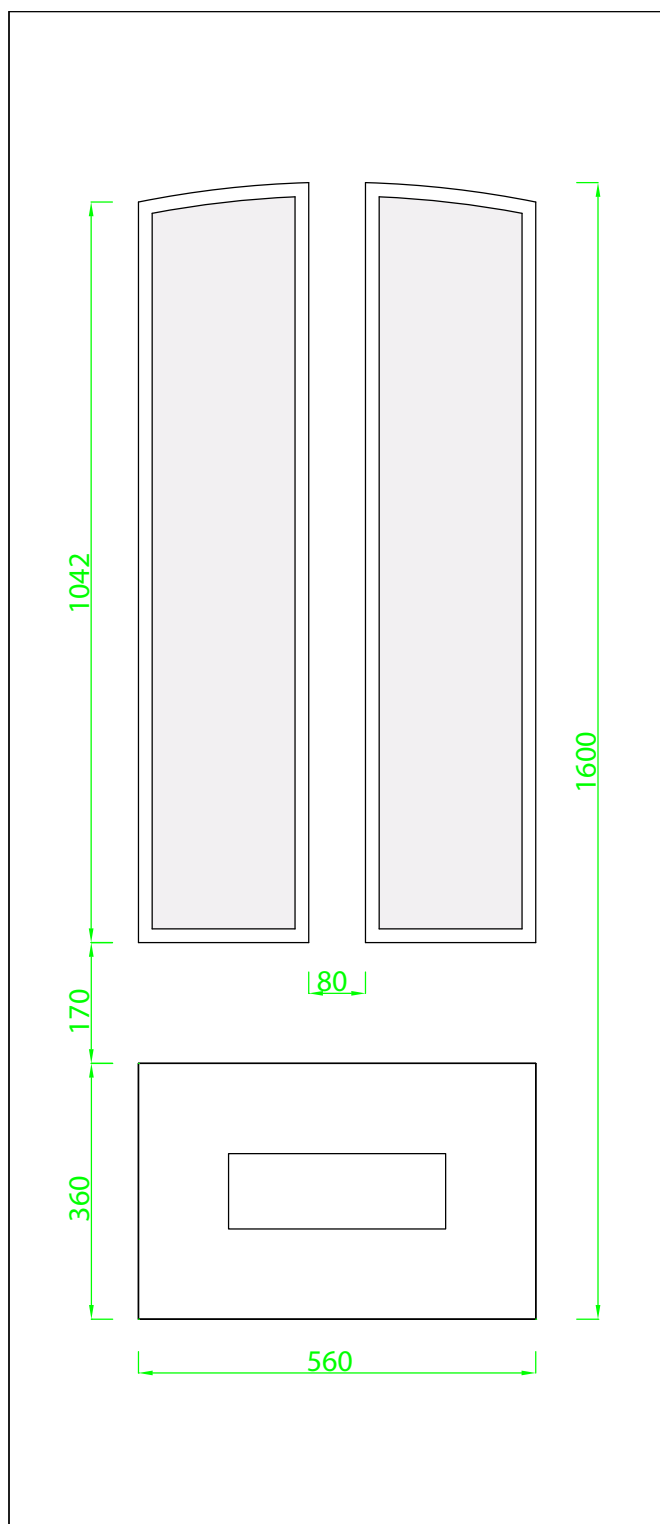
PVC-U Thresholds ►

Ali Thresholds / Tie Bars ►

Cills ►

Add On / Frame Extensions ►

Back to Contents ►



Door Sash

Width

Max: 908mm

Min: 768mm

Height

Max: 2098mm

Min: 1808mm

Profile Dimensions:

72 Frame: 52mm+4mm air gap = **56mm**

52 Frame: 32mm+4mm air gap = **36mm**

Ali low threshold open IN = **20mm**

Ali low threshold open OUT = **17mm**

Cill = **30mm**

Width

72 Frame

Max = (Max sash width + 56mm + 56mm)

Min = (Min sash width + 56mm + 56mm)

52 Frame

Max = (Max sash width + 36mm + 36mm)

Min = (Min sash width + 36mm + 36mm)

Height

72 Frame low threshold open IN

Max = (Max sash height + 56mm + 20mm)

Min = (Min sash height + 56mm + 20mm)

52 Frame low threshold open IN

Max = (Max sash height + 36mm + 20mm)

Min = (Min sash height + 36mm + 20mm)

Double Door Width 72mm Frame

Max = (Max sash width + Max sash width + 56mm + 56mm + 8mm)

Min = (Min sash width + Min sash width + 56mm + 56mm + 8mm)

Press Glazing

Unit Thickness: 22

Unit Size: 240 X 1067 (2 Off)

Aperture: 202 X 1030 (2 Off)

Press Bead Glazing

N/A

The overall frame dimensions can be increased or reduced by using other profiles:

Door Outer Frame ►

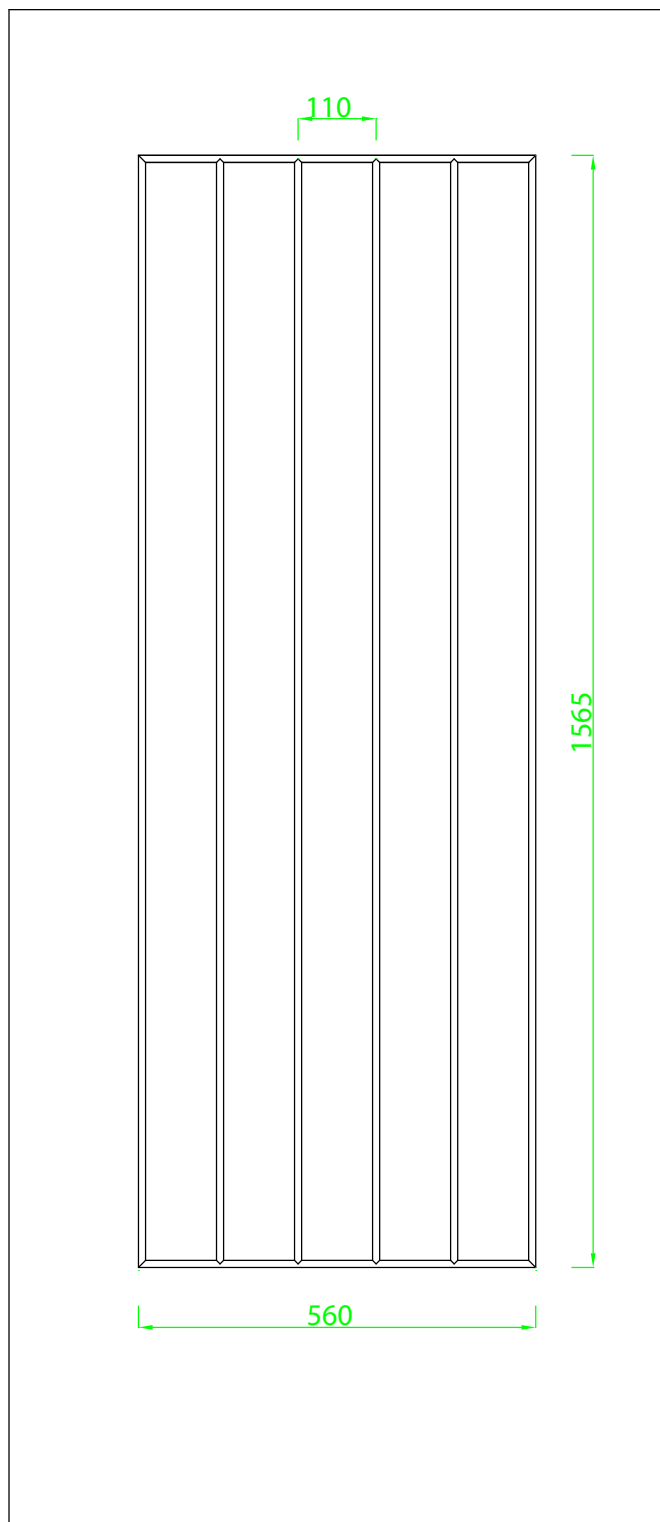
PVC-U Thresholds ►

Ali Thresholds / Tie Bars ►

Cills ►

Add On / Frame Extensions ►

Back to Contents ►



Door Sash

Width

Max: 908mm

Min: 768mm

Height

Max: 2098mm

Min: 1808mm

Profile Dimensions:

72 Frame: 52mm+4mm air gap = **56mm**

52 Frame: 32mm+4mm air gap = **36mm**

Ali low threshold open IN = **20mm**

Ali low threshold open OUT = **17mm**

Cill = **30mm**

Width

72 Frame

Max = (Max sash width + 56mm + 56mm)

Min = (Min sash width + 56mm + 56mm)

52 Frame

Max = (Max sash width + 36mm + 36mm)

Min = (Min sash width + 36mm + 36mm)

Height

72 Frame low threshold open IN

Max = (Max sash height + 56mm + 20mm)

Min = (Min sash height + 56mm + 20mm)

52 Frame low threshold open IN

Max = (Max sash height + 36mm + 20mm)

Min = (Min sash height + 36mm + 20mm)

Double Door Width 72mm Frame

Max = (Max sash width + Max sash width + 56mm + 56mm + 8mm)

Min = (Min sash width + Min sash width + 56mm + 56mm + 8mm)

The overall frame dimensions can be increased or reduced by using other profiles:

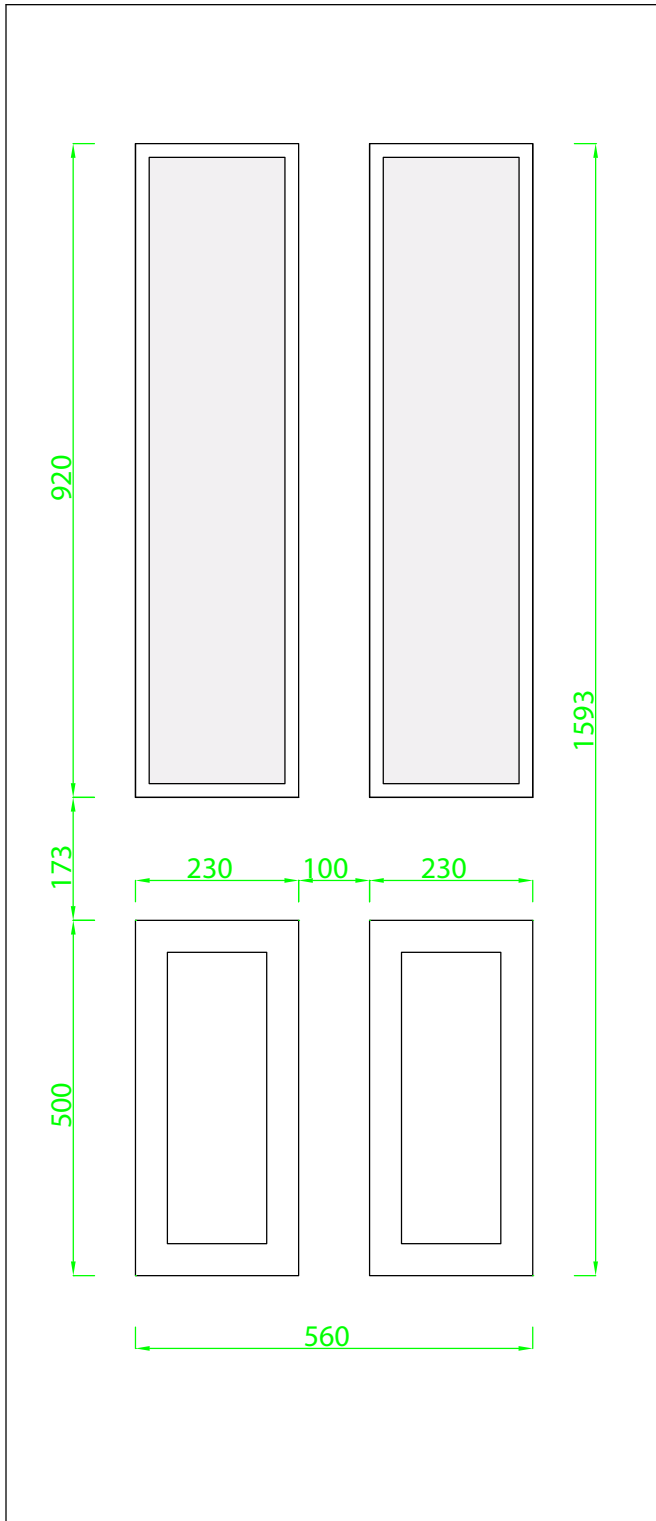
Door Outer Frame ►

PVC-U Thresholds ►

Ali Thresholds / Tie Bars ►

Cills ►

Add On / Frame Extensions ►



Door Sash

Width

Max: 908mm

Min: 753mm

Height

Max: 2098mm

Min: 1801mm

Profile Dimensions:

72 Frame: 52mm+4mm air gap = **56mm**

52 Frame: 32mm+4mm air gap = **36mm**

Ali low threshold open IN = 20mm

Ali low threshold open OUT = 17mm

Cill = 30mm

Width

72 Frame

Max = (Max sash width + 56mm + 56mm)

Min = (Min sash width + 56mm + 56mm)

52 Frame

Max = (Max sash width + 36mm + 36mm)

Min = (Min sash width + 36mm + 36mm)

Height

72 Frame low threshold open IN

Max = (Max sash height + 56mm + 20mm)

Min = (Min sash height + 56mm + 20mm)

52 Frame low threshold open IN

Max = (Max sash height + 36mm + 20mm)

Min = (Min sash height + 36mm + 20mm)

Double Door Width 72mm Frame

Max = (Max sash width + Max sash width + 56mm + 56mm + 8mm)

Min = (Min sash width + Min sash width + 56mm + 56mm + 8mm)

Press Glazing

Unit Thickness: 22

Unit Size: 220 X 910

Aperture: 180 X 866

Press Bead Glazing

Unit Thickness: 24

Unit Size: 188 X 875

Aperture: 155 X 842

The overall frame dimensions can be increased or reduced by using other profiles:

Door Outer Frame ►

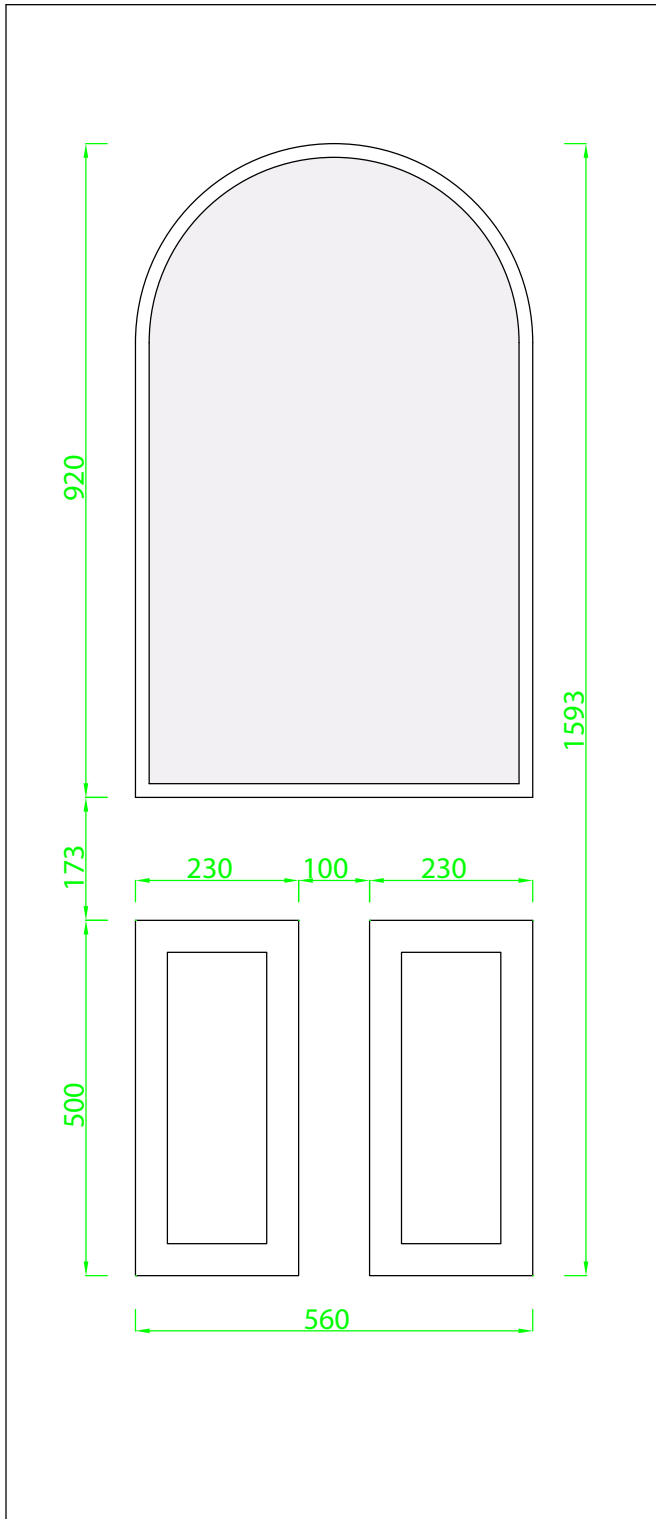
PVC-U Thresholds ►

Ali Thresholds / Tie Bars ►

Cills ►

Add On / Frame Extensions ►

Back to Contents ►



Door Sash

Width

Max: 908mm

Min: 768mm

Height

Max: 2098mm

Min: 1801mm

Profile Dimensions:

72 Frame: 52mm+4mm air gap = **56mm**

52 Frame: 32mm+4mm air gap = **36mm**

Ali low threshold open IN = 20mm

Ali low threshold open OUT = 17mm

Cill = 30mm

Width

72 Frame

Max = (Max sash width + 56mm + 56mm)

Min = (Min sash width + 56mm + 56mm)

52 Frame

Max = (Max sash width + 36mm + 36mm)

Min = (Min sash width + 36mm + 36mm)

Height

72 Frame low threshold open IN

Max = (Max sash height + 56mm + 20mm)

Min = (Min sash height + 56mm + 20mm)

52 Frame low threshold open IN

Max = (Max sash height + 36mm + 20mm)

Min = (Min sash height + 36mm + 20mm)

Double Door Width 72mm Frame

Max = (Max sash width + Max sash width + 56mm + 56mm + 8mm)

Min = (Min sash width + Min sash width + 56mm + 56mm + 8mm)

Press Glazing

Unit Thickness: 22

Unit Size: 560 X 912

Aperture: 508 X 867

Press Bead Glazing

Unit Thickness: 24

Unit Size: 516 X 875

Aperture: 482 X 840

The overall frame dimensions can be increased or reduced by using other profiles:

Door Outer Frame ►

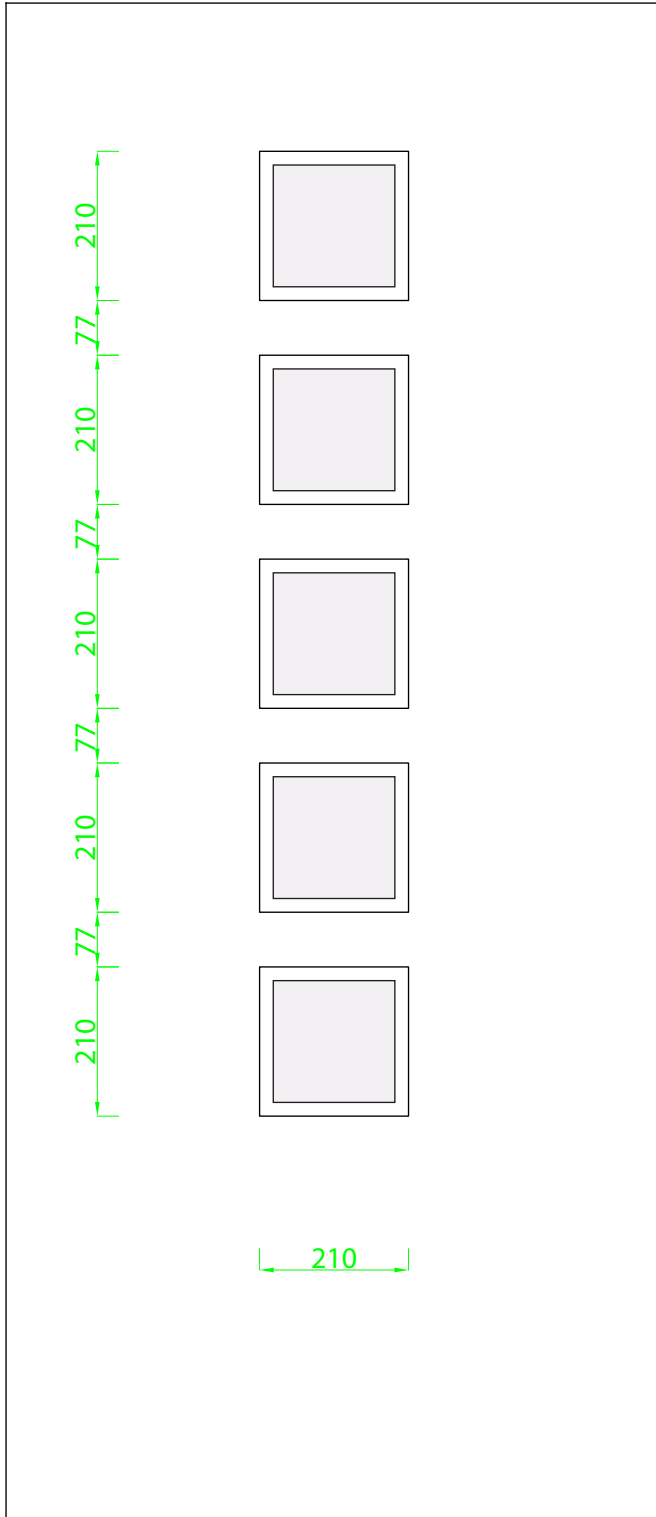
PVC-U Thresholds ►

Ali Thresholds / Tie Bars ►

Cills ►

Add On / Frame Extensions ►

Back to Contents ►



Door Sash

Width

Max: 908mm
Min: 679mm

Height

Max: 2098mm
Min: 1768mm

Profile Dimensions:

72 Frame: 52mm+4mm air gap = **56mm**

52 Frame: 32mm+4mm air gap = **36mm**

Ali low threshold open **IN** = **20mm**

Ali low threshold open **OUT** = **17mm**

Cill = **30mm**

Width

72 Frame

Max = (Max sash width + 56mm + 56mm)

Min = (Min sash width + 56mm + 56mm)

52 Frame

Max = (Max sash width + 36mm + 36mm)

Min = (Min sash width + 36mm + 36mm)

Height

72 Frame low threshold open IN

Max = (Max sash height + 56mm + 20mm)

Min = (Min sash height + 56mm + 20mm)

52 Frame low threshold open IN

Max = (Max sash height + 36mm + 20mm)

Min = (Min sash height + 36mm + 20mm)

Double Door Width 72mm Frame

Max = (Max sash width + Max sash width + 56mm + 56mm + 8mm)

Min = (Min sash width + Min sash width + 56mm + 56mm + 8mm)

The overall frame dimensions can be increased or reduced by using other profiles:

Door Outer Frame ►

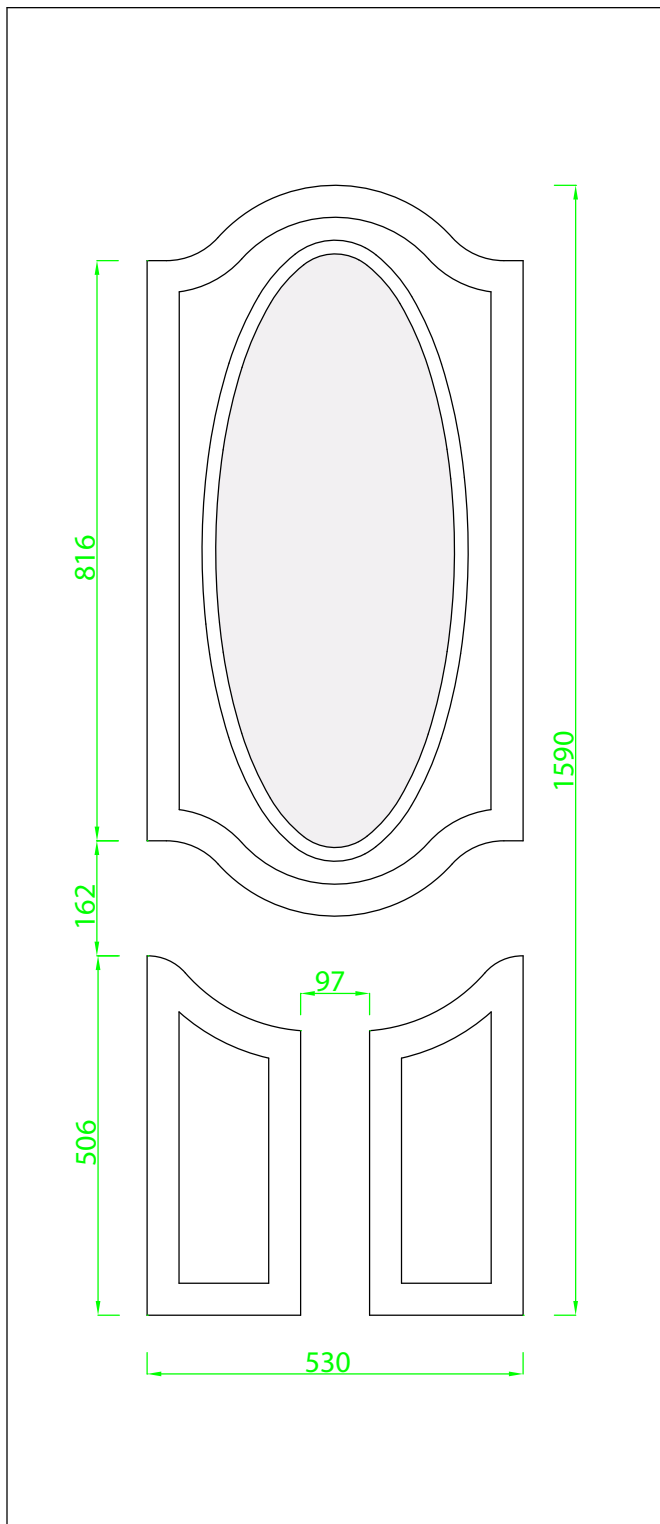
PVC-U Thresholds ►

Ali Thresholds / Tie Bars ►

Cills ►

Add On / Frame Extensions ►

Back to Contents ►



Door Sash

Width

Max: 908mm

Min: 684mm

Height

Max: 2098mm

Min: 1797mm

Profile Dimensions:

72 Frame: 52mm+4mm air gap = **56mm**

52 Frame: 32mm+4mm air gap = **36mm**

Ali low threshold open **IN** = **20mm**

Ali low threshold open **OUT** = **17mm**

Cill = **30mm**

Width

72 Frame

Max = (Max sash width + 56mm + 56mm)

Min = (Min sash width + 56mm + 56mm)

52 Frame

Max = (Max sash width + 36mm + 36mm)

Min = (Min sash width + 36mm + 36mm)

Height

72 Frame low threshold open IN

Max = (Max sash height + 56mm + 20mm)

Min = (Min sash height + 56mm + 20mm)

52 Frame low threshold open IN

Max = (Max sash height + 36mm + 20mm)

Min = (Min sash height + 36mm + 20mm)

Double Door Width 72mm Frame

Max = (Max sash width + Max sash width + 56mm + 56mm + 8mm)

Min = (Min sash width + Min sash width + 56mm + 56mm + 8mm)

Press Glazing

Unit Thickness: 22

Unit Size: 365 X 862

Aperture: 320 X 819

Press Bead Glazing

N/A

The overall frame dimensions can be increased or reduced by using other profiles:

Door Outer Frame ►

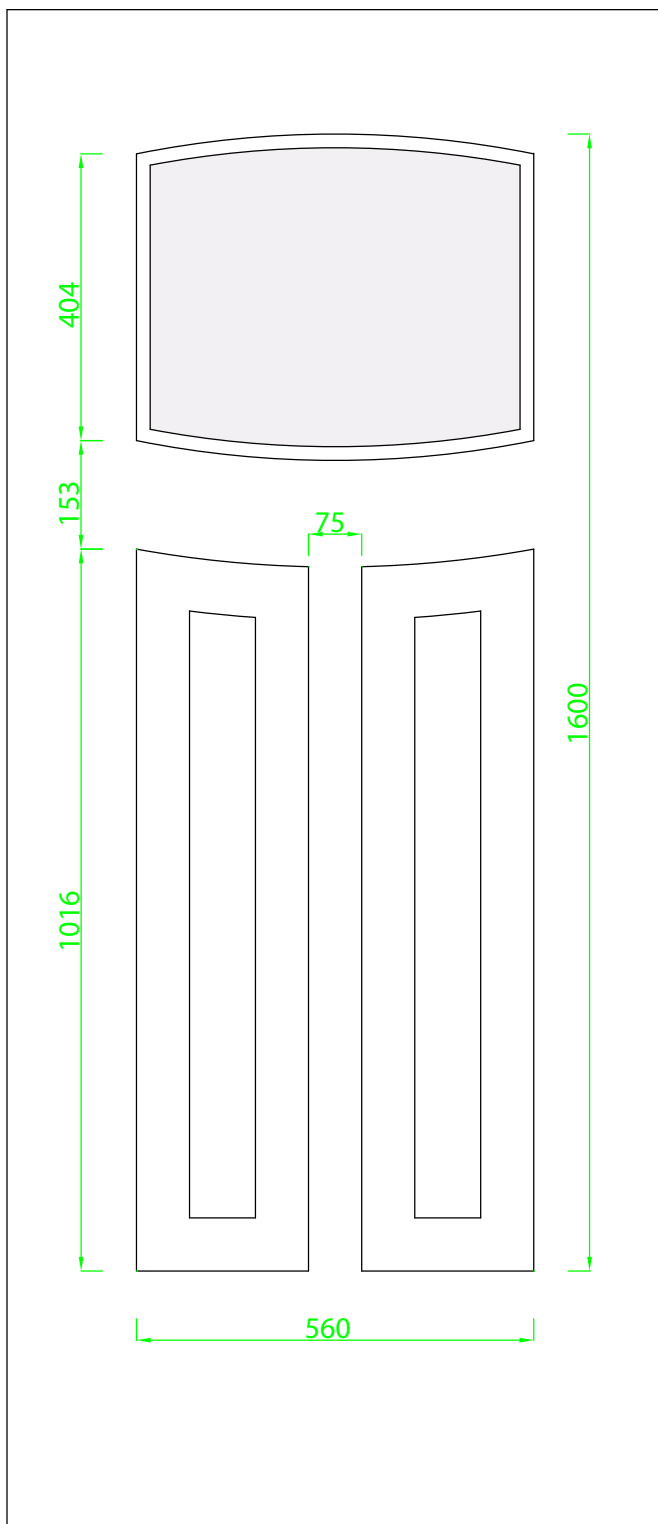
PVC-U Thresholds ►

Ali Thresholds / Tie Bars ►

Cills ►

Add On / Frame Extensions ►

Back to Contents ►



Door Sash

Width

Max: 908mm

Min: 769mm

Height

Max: 2098mm

Min: 1809mm

Profile Dimensions:

72 Frame: 52mm+4mm air gap = **56mm**

52 Frame: 32mm+4mm air gap = **36mm**

Ali low threshold open IN = **20mm**

Ali low threshold open OUT = **17mm**

Cill = **30mm**

Width

72 Frame

Max = (Max sash width + 56mm + 56mm)

Min = (Min sash width + 56mm + 56mm)

52 Frame

Max = (Max sash width + 36mm + 36mm)

Min = (Min sash width + 36mm + 36mm)

Height

72 Frame low threshold open IN

Max = (Max sash height + 56mm + 20mm)

Min = (Min sash height + 56mm + 20mm)

52 Frame low threshold open IN

Max = (Max sash height + 36mm + 20mm)

Min = (Min sash height + 36mm + 20mm)

Double Door Width 72mm Frame

Max = (Max sash width + Max sash width + 56mm + 56mm + 8mm)

Min = (Min sash width + Min sash width + 56mm + 56mm + 8mm)

Press Glazing

Unit Thickness: 22

Unit Size: 547 X 447

Aperture: 512 X 409

Press Bead Glazing

N/A

The overall frame dimensions can be increased or reduced by using other profiles:

Door Outer Frame ►

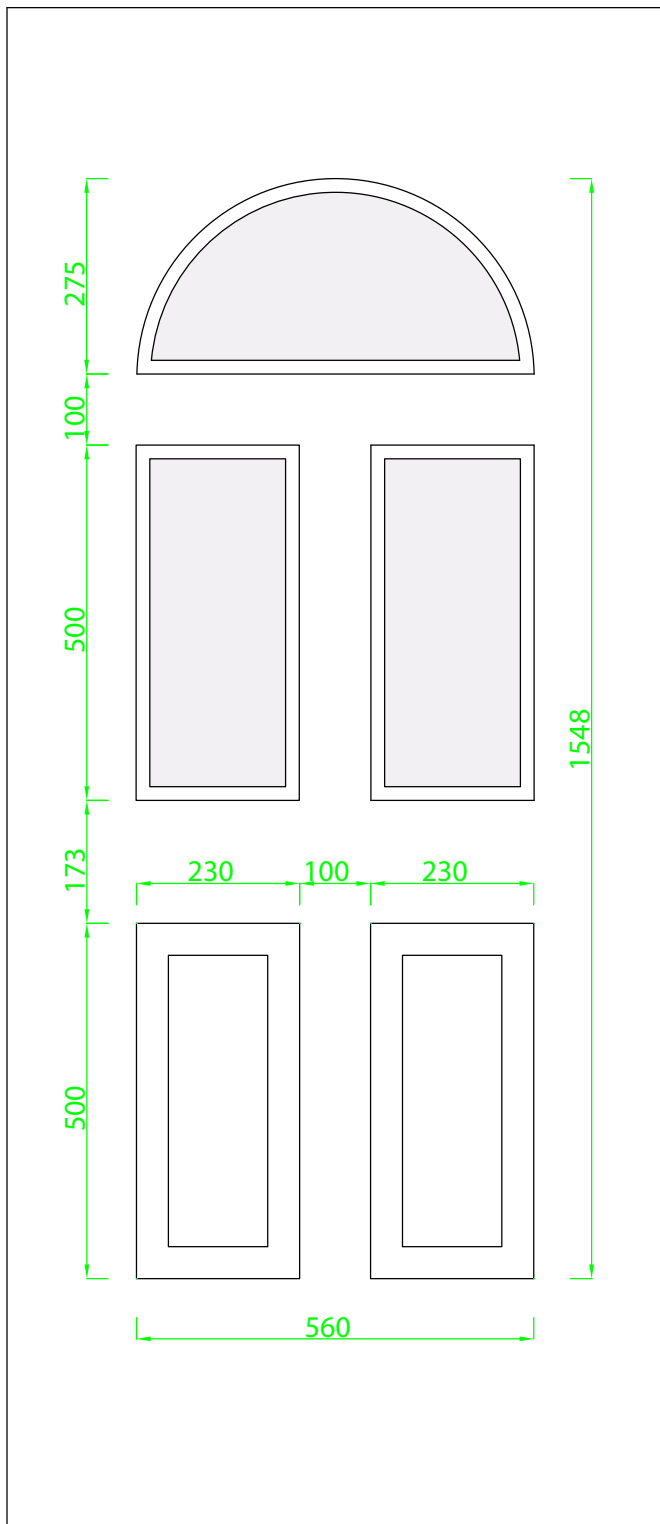
PVC-U Thresholds ►

Ali Thresholds / Tie Bars ►

Cills ►

Add On / Frame Extensions ►

Back to Contents ►



Door Sash

Width

Max: 908mm

Min: 748mm

Height

Max: 2098mm

Min: 1748mm

Profile Dimensions:

72 Frame: 52mm+4mm air gap = **56mm**

52 Frame: 32mm+4mm air gap = **36mm**

Ali low threshold open **IN** = **20mm**

Ali low threshold open **OUT** = **17mm**

Cill = **30mm**

Width

72 Frame

Max = (Max sash width + 56mm + 56mm)

Min = (Min sash width + 56mm + 56mm)

52 Frame

Max = (Max sash width + 36mm + 36mm)

Min = (Min sash width + 36mm + 36mm)

Height

72 Frame low threshold open IN

Max = (Max sash height + 56mm + 20mm)

Min = (Min sash height + 56mm + 20mm)

52 Frame low threshold open IN

Max = (Max sash height + 36mm + 20mm)

Min = (Min sash height + 36mm + 20mm)

Double Door Width 72mm Frame

Max = (Max sash width + Max sash width + 56mm + 56mm + 8mm)

Min = (Min sash width + Min sash width + 56mm + 56mm + 8mm)

The overall frame dimensions can be increased or reduced by using other profiles:

Door Outer Frame ►

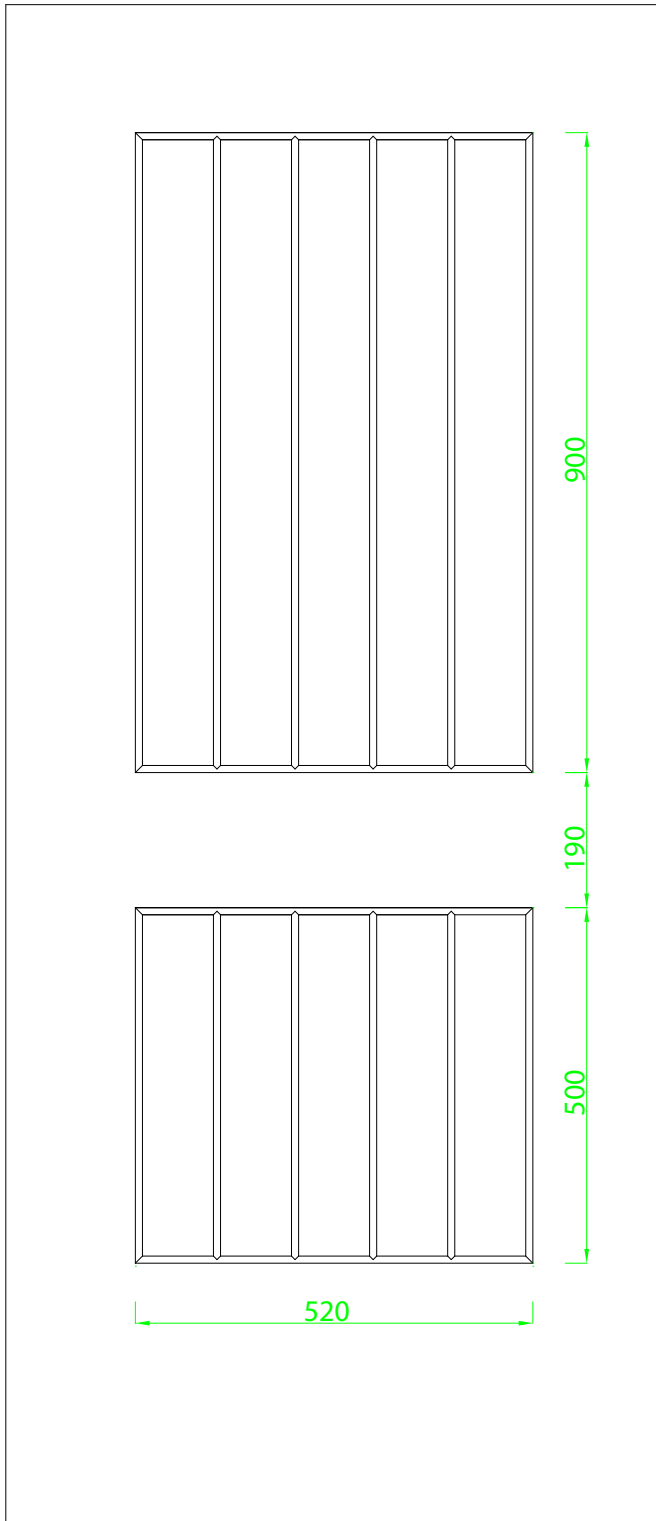
PVC-U Thresholds ►

Ali Thresholds / Tie Bars ►

Cills ►

Add On / Frame Extensions ►

Back to Contents ►



Door Sash

Width

Max: 904mm

Min: 688mm

Height

Max: 2098mm

Min: 1768mm

Profile Dimensions:

72 Frame: 52mm+4mm air gap = **56mm**

52 Frame: 32mm+4mm air gap = **36mm**

Ali low threshold open IN = **20mm**

Ali low threshold open OUT = **17mm**

Cill = **30mm**

Width

72 Frame

Max = (Max sash width + 56mm + 56mm)

Min = (Min sash width + 56mm + 56mm)

52 Frame

Max = (Max sash width + 36mm + 36mm)

Min = (Min sash width + 36mm + 36mm)

Height

72 Frame low threshold open IN

Max = (Max sash height + 56mm + 20mm)

Min = (Min sash height + 56mm + 20mm)

52 Frame low threshold open IN

Max = (Max sash height + 36mm + 20mm)

Min = (Min sash height + 36mm + 20mm)

Double Door Width 72mm Frame

Max = (Max sash width + Max sash width + 56mm + 56mm + 8mm)

Min = (Min sash width + Min sash width + 56mm + 56mm + 8mm)

The overall frame dimensions can be increased or reduced by using other profiles:

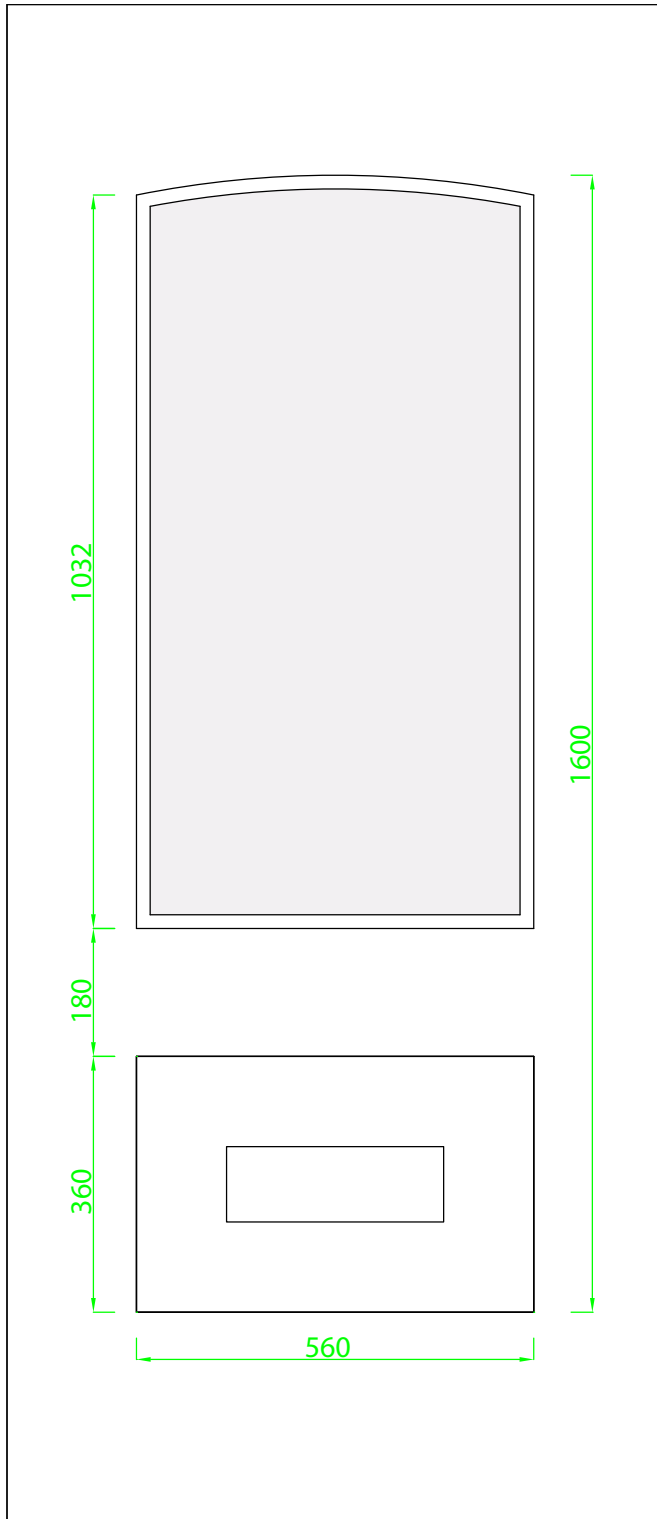
Door Outer Frame ►

PVC-U Thresholds ►

Ali Thresholds / Tie Bars ►

Cills ►

Add On / Frame Extensions ►



Door Sash

Width

Max: 908mm

Min: 768mm

Height

Max: 2098mm

Min: 1808mm

Profile Dimensions:

72 Frame: 52mm+4mm air gap = **56mm**

52 Frame: 32mm+4mm air gap = **36mm**

Ali low threshold open IN = **20mm**

Ali low threshold open OUT = **17mm**

Cill = **30mm**

Width

72 Frame

Max = (Max sash width + 56mm + 56mm)

Min = (Min sash width + 56mm + 56mm)

52 Frame

Max = (Max sash width + 36mm + 36mm)

Min = (Min sash width + 36mm + 36mm)

Height

72 Frame low threshold open IN

Max = (Max sash height + 56mm + 20mm)

Min = (Min sash height + 56mm + 20mm)

52 Frame low threshold open IN

Max = (Max sash height + 36mm + 20mm)

Min = (Min sash height + 36mm + 20mm)

Double Door Width 72mm Frame

Max = (Max sash width + Max sash width + 56mm + 56mm + 8mm)

Min = (Min sash width + Min sash width + 56mm + 56mm + 8mm)

Press Glazing

Unit Thickness: 22

Unit Size: 547 X 1047

Aperture: 512 X 1011

Press Bead Glazing

N/A

The overall frame dimensions can be increased or reduced by using other profiles:

Door Outer Frame ►

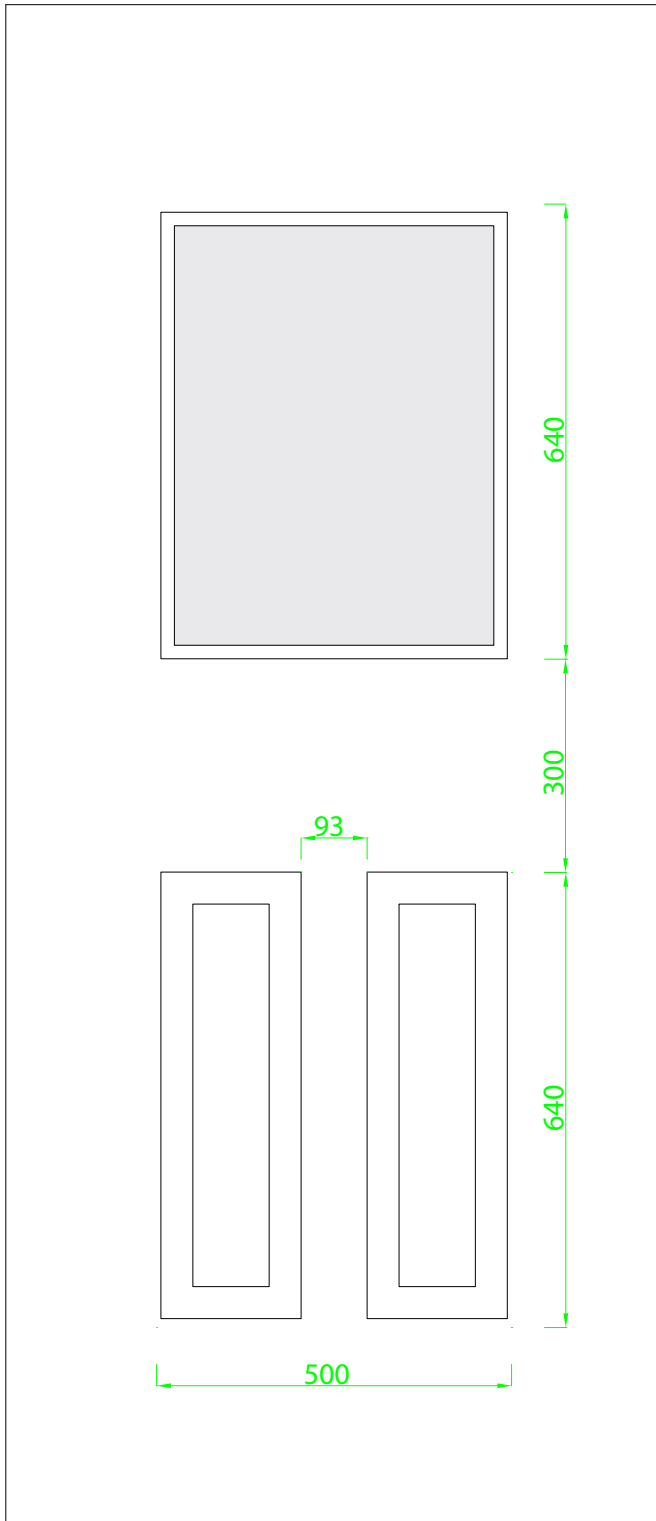
PVC-U Thresholds ►

Ali Thresholds / Tie Bars ►

Cills ►

Add On / Frame Extensions ►

Back to Contents ►



Door Sash

Width

Max: 908mm

Min: 696mm

Height

Max: 2098mm

Min: 1764mm

Profile Dimensions:

72 Frame: 52mm+4mm air gap = **56mm**

52 Frame: 32mm+4mm air gap = **36mm**

Ali low threshold open IN = 20mm

Ali low threshold open OUT = 17mm

Cill = 30mm

Width

72 Frame

Max = (Max sash width + 56mm + 56mm)

Min = (Min sash width + 56mm + 56mm)

52 Frame

Max = (Max sash width + 36mm + 36mm)

Min = (Min sash width + 36mm + 36mm)

Height

72 Frame low threshold open IN

Max = (Max sash height + 56mm + 20mm)

Min = (Min sash height + 56mm + 20mm)

52 Frame low threshold open IN

Max = (Max sash height + 36mm + 20mm)

Min = (Min sash height + 36mm + 20mm)

Double Door Width 72mm Frame

Max = (Max sash width + Max sash width + 56mm + 56mm + 8mm)

Min = (Min sash width + Min sash width + 56mm + 56mm + 8mm)

Press Glazing

N/A

Press Bead Glazing

Unit Thickness: 24

Unit Size: 440 X 580

Aperture: 410 X 550

The overall frame dimensions can be increased or reduced by using other profiles:

Door Outer Frame ►

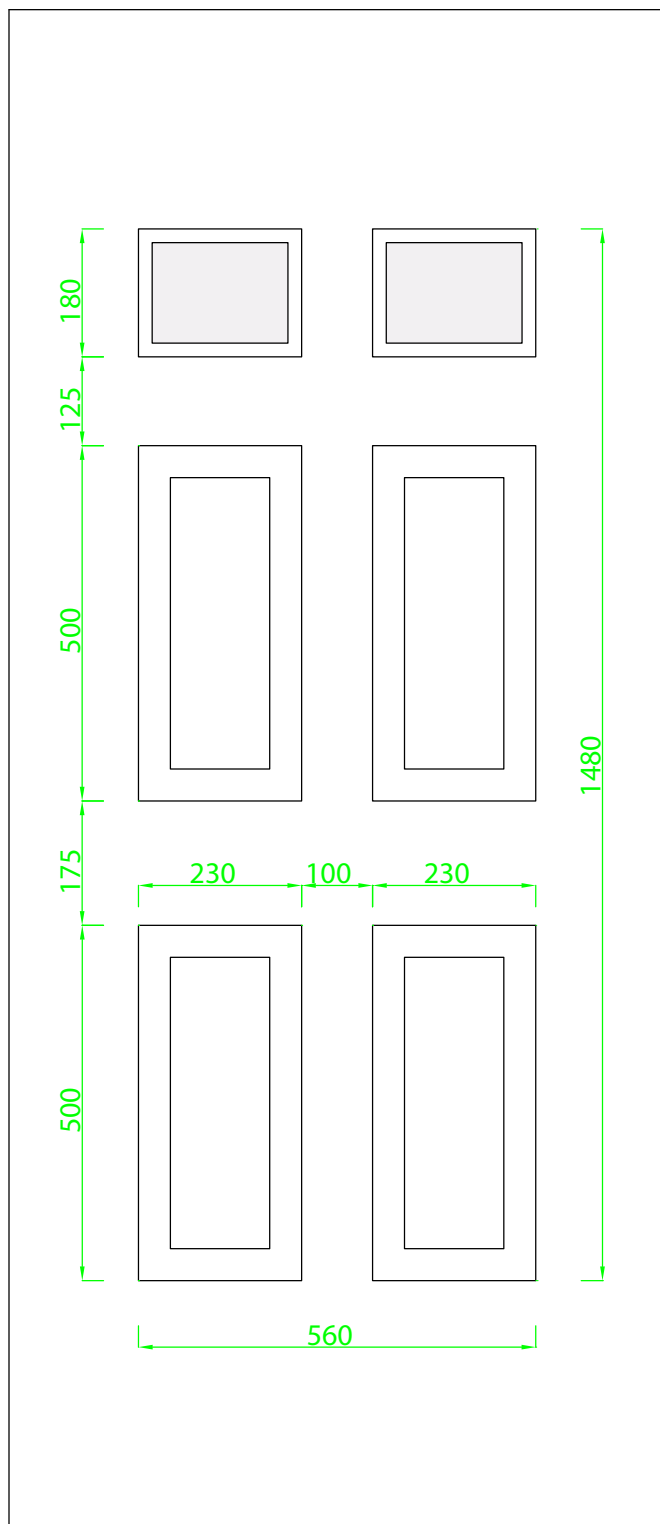
PVC-U Thresholds ►

Ali Thresholds / Tie Bars ►

Cills ►

Add On / Frame Extensions ►

Back to Contents ►



Door Sash

Width

Max: 908mm

Min: 769mm

Height

Max: 2098mm

Min: 1728mm

Profile Dimensions:

72 Frame: 52mm+4mm air gap = **56mm**

52 Frame: 32mm+4mm air gap = **36mm**

Ali low threshold open IN = 20mm

Ali low threshold open OUT = 17mm

Cill = 30mm

Width

72 Frame

Max = (Max sash width + 56mm + 56mm)

Min = (Min sash width + 56mm + 56mm)

52 Frame

Max = (Max sash width + 36mm + 36mm)

Min = (Min sash width + 36mm + 36mm)

Height

72 Frame low threshold open IN

Max = (Max sash height + 56mm + 20mm)

Min = (Min sash height + 56mm + 20mm)

52 Frame low threshold open IN

Max = (Max sash height + 36mm + 20mm)

Min = (Min sash height + 36mm + 20mm)

Double Door Width 72mm Frame

Max = (Max sash width + Max sash width + 56mm + 56mm + 8mm)

Min = (Min sash width + Min sash width + 56mm + 56mm + 8mm)

Press Glazing

Unit Thickness: 22

Unit Size: 230 X 175

Aperture: 187 X 140

Press Bead Glazing

N/A

The overall frame dimensions can be increased or reduced by using other profiles:

Door Outer Frame

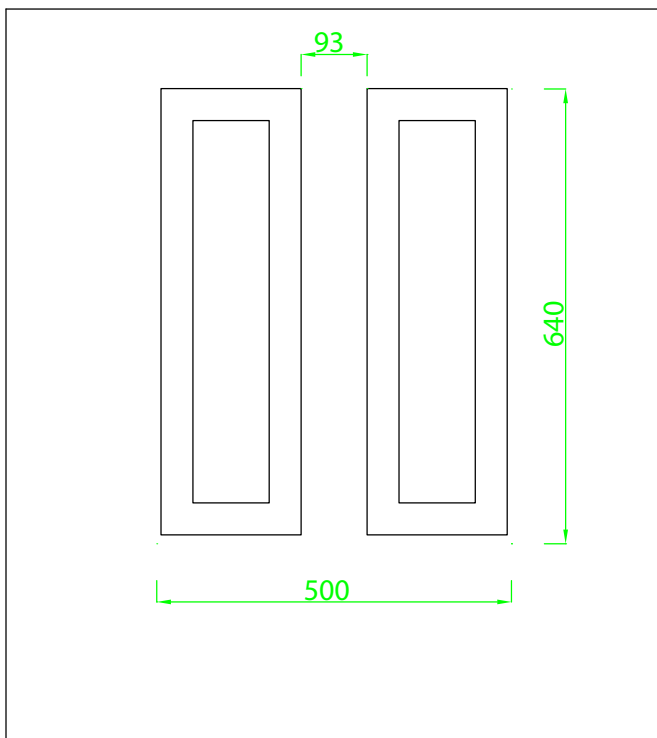
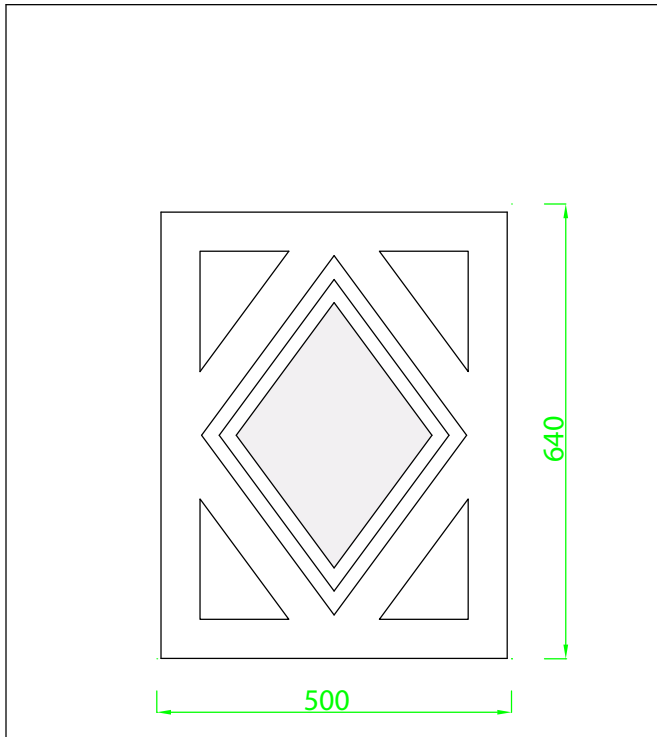
PVC-U Thresholds

Ali Thresholds / Tie Bars

Cills

Add On / Frame Extensions

Back to Contents



Door Sash

Width

Max: 908mm

Min: 696mm

Height

Max: 2018mm

Min: 1708mm

Profile Dimensions:

72 Frame: 52mm+4mm air gap = **56mm**

52 Frame: 32mm+4mm air gap = **36mm**

Ali low threshold open IN = 20mm

Ali low threshold open OUT = 17mm

Cill = 30mm

Width

72 Frame

Max = (Max sash width + 56mm + 56mm)

Min = (Min sash width + 56mm + 56mm)

52 Frame

Max = (Max sash width + 36mm + 36mm)

Min = (Min sash width + 36mm + 36mm)

Height

72 Frame low threshold open IN

Max = (Max sash height + 56mm + 20mm)

Min = (Min sash height + 56mm + 20mm)

52 Frame low threshold open IN

Max = (Max sash height + 36mm + 20mm)

Min = (Min sash height + 36mm + 20mm)

Double Door Width 72mm Frame

N/A

Press Glazing

Unit Thickness: 22

Unit Size:

320 X 435

Aperture:

277 X 371

Press Bead Glazing

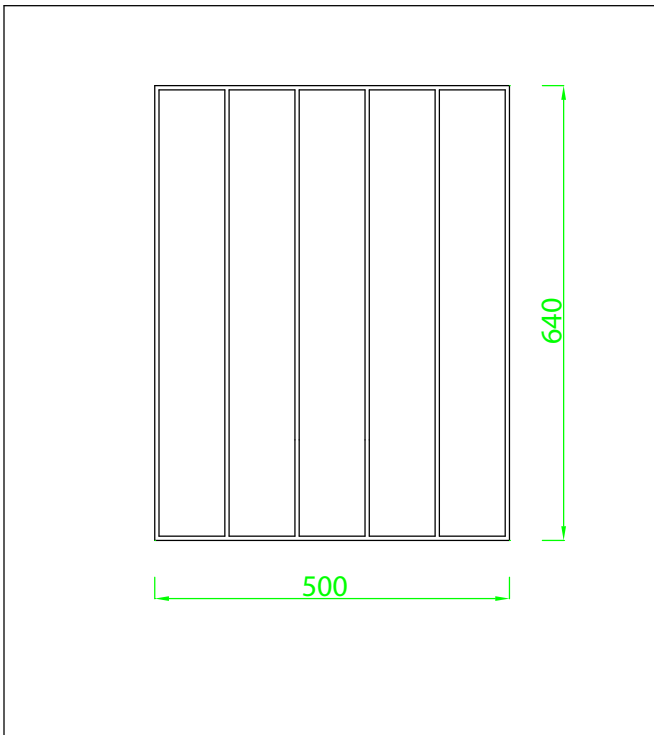
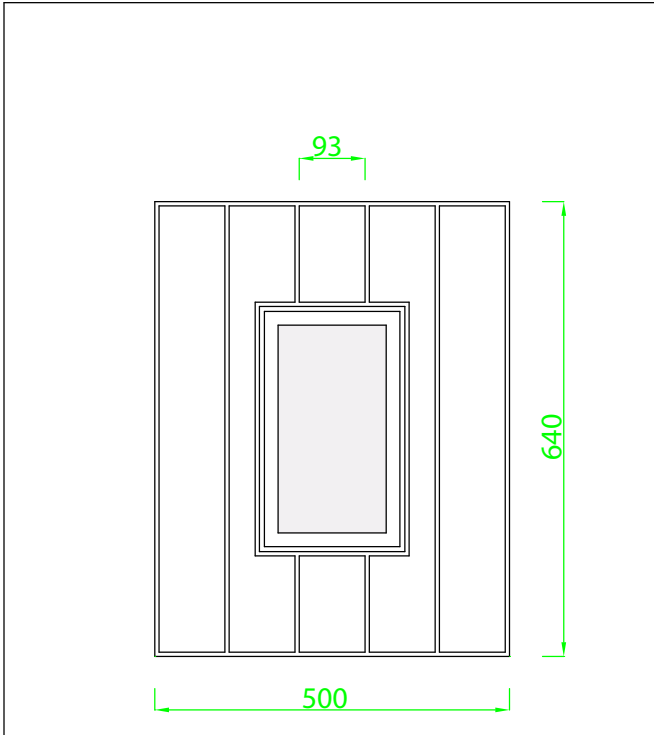
N/A

The overall frame dimensions can be increased or reduced by using other profiles:

- Door Outer Frame ►
- PVC-U Thresholds ►
- Ali Thresholds / Tie Bars ►
- Cills ►
- Add On / Frame Extensions ►

Back to Contents ►





Door Sash

Width

Max: 908mm

Min: 673mm

Height

Max: 2018mm

Min: 1668mm

Profile Dimensions:

72 Frame: 52mm+4mm air gap = **56mm**

52 Frame: 32mm+4mm air gap = **36mm**

Ali low threshold open IN = 20mm

Ali low threshold open OUT = 17mm

Cill = 30mm

Width

72 Frame

Max = (Max sash width + 56mm + 56mm)

Min = (Min sash width + 56mm + 56mm)

52 Frame

Max = (Max sash width + 36mm + 36mm)

Min = (Min sash width + 36mm + 36mm)

Height

72 Frame low threshold open IN

Max = (Max sash height + 56mm + 20mm)

Min = (Min sash height + 56mm + 20mm)

52 Frame low threshold open IN

Max = (Max sash height + 36mm + 20mm)

Min = (Min sash height + 36mm + 20mm)

Double Door Width 72mm Frame

N/A

Press Glazing

Unit Thickness: 22

Unit Size: 150 X 300

Aperture: 109 X 252

Press Bead Glazing

N/A

The overall frame dimensions can be increased or reduced by using other profiles:

Door Outer Frame ►

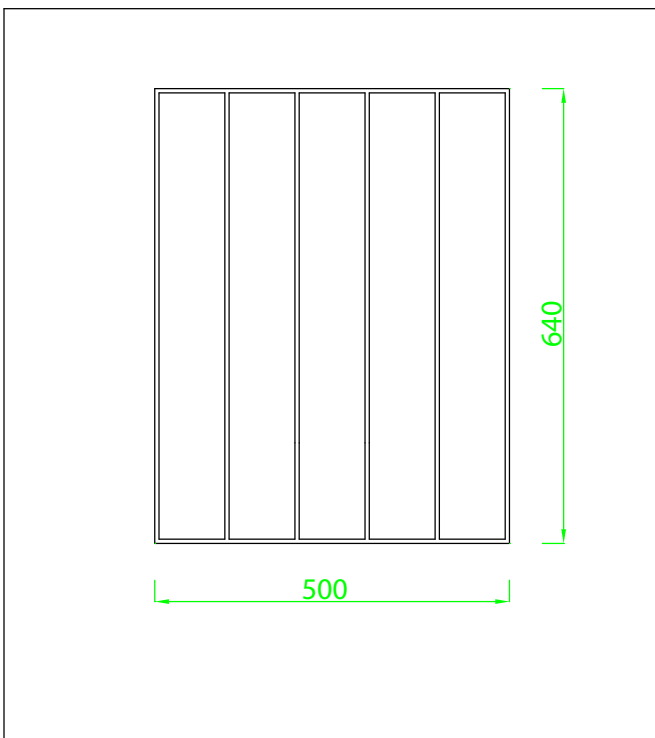
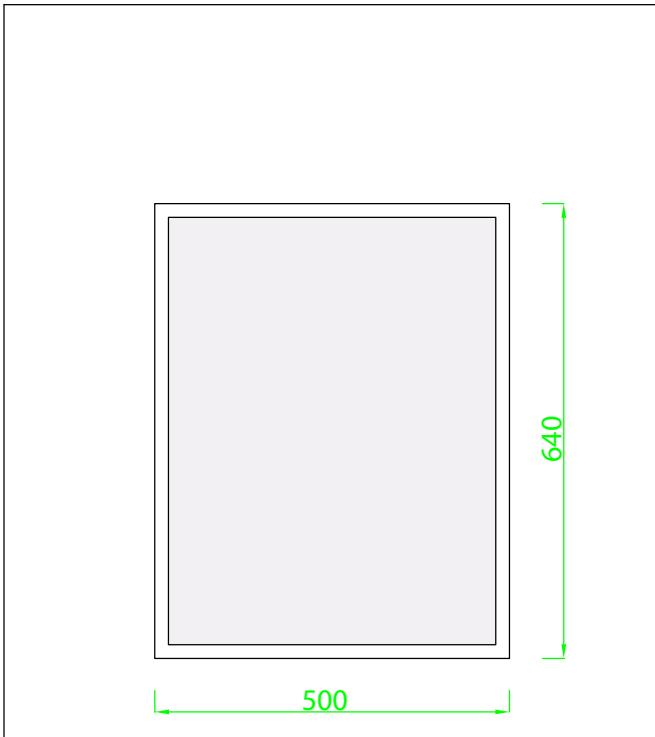
PVC-U Thresholds ►

Ali Thresholds / Tie Bars ►

Cills ►

Add On / Frame Extensions ►

Back to Contents ►



Door Sash

Width

Max: 908mm

Min: 708mm

Height

Max: 2018mm

Min: 1708mm

Profile Dimensions:

72 Frame: 52mm+4mm air gap = **56mm**

52 Frame: 32mm+4mm air gap = **36mm**

Ali low threshold open IN = 20mm

Ali low threshold open OUT = 17mm

Cill = 30mm

Width

72 Frame

Max = (Max sash width + 56mm + 56mm)

Min = (Min sash width + 56mm + 56mm)

52 Frame

Max = (Max sash width + 36mm + 36mm)

Min = (Min sash width + 36mm + 36mm)

Height

72 Frame low threshold open IN

Max = (Max sash height + 56mm + 20mm)

Min = (Min sash height + 56mm + 20mm)

52 Frame low threshold open IN

Max = (Max sash height + 36mm + 20mm)

Min = (Min sash height + 36mm + 20mm)

Double Door Width 72mm Frame

N/A

Press Glazing

Unit Thickness: 22

Unit Size: 485 X 625

Aperture: 436 X 576

Press Bead Glazing

N/A

The overall frame dimensions can be increased or reduced by using other profiles:

Door Outer Frame ►

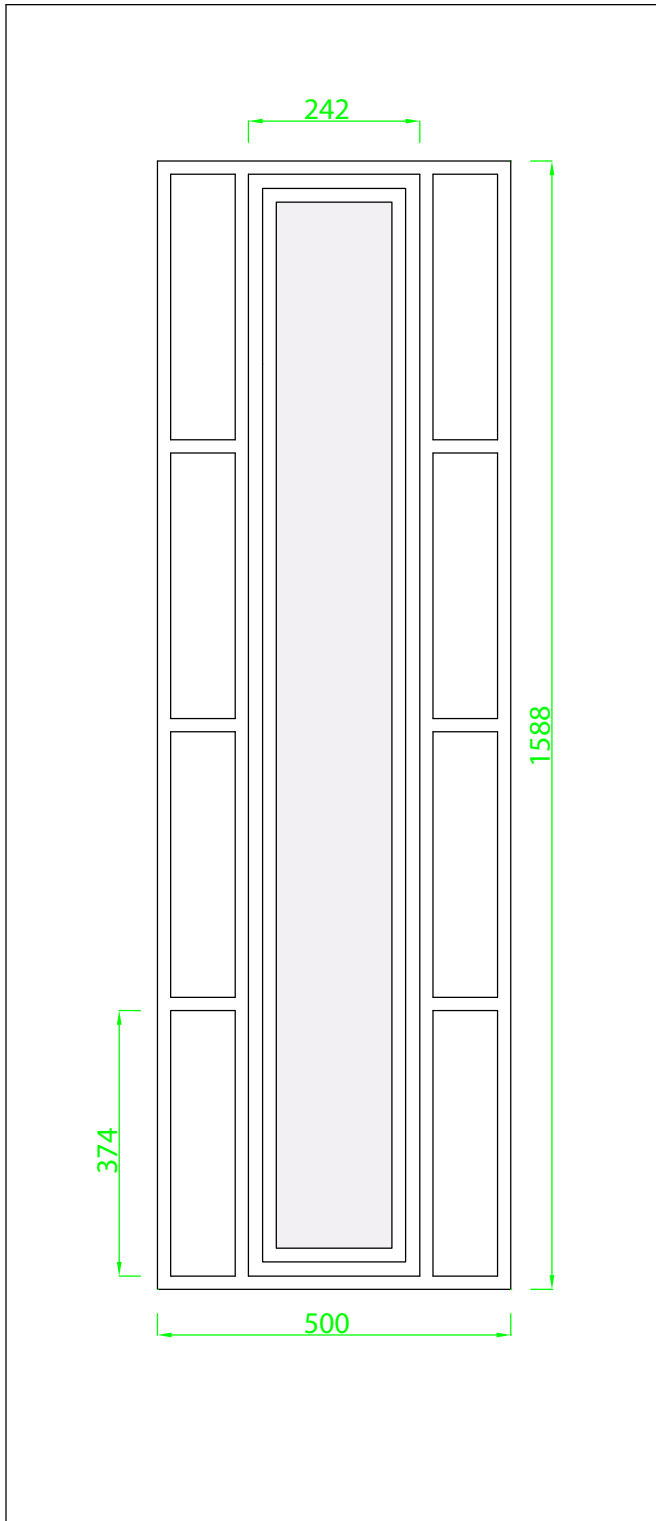
PVC-U Thresholds ►

Ali Thresholds / Tie Bars ►

Cills ►

Add On / Frame Extensions ►

Back to Contents ►



Door Sash

Width

Max: 908mm
Min: 675mm

Height

Max: 2098mm
Min: 1850mm

Profile Dimensions:

72 Frame: 52mm+4mm air gap = **56mm**

52 Frame: 32mm+4mm air gap = **36mm**

Ali low threshold open **IN** = **20mm**

Ali low threshold open **OUT** = **17mm**

Cill = **30mm**

Width

72 Frame

Max = (Max sash width + 56mm + 56mm)

Min = (Min sash width + 56mm + 56mm)

52 Frame

Max = (Max sash width + 36mm + 36mm)

Min = (Min sash width + 36mm + 36mm)

Height

72 Frame low threshold open IN

Max = (Max sash height + 56mm + 20mm)

Min = (Min sash height + 56mm + 20mm)

52 Frame low threshold open IN

Max = (Max sash height + 36mm + 20mm)

Min = (Min sash height + 36mm + 20mm)

Double Door Width 72mm Frame

Max = (Max sash width + Max sash width + 56mm + 56mm + 8mm)

Min = (Min sash width + Min sash width + 56mm + 56mm + 8mm)

Press Glazing

Unit Thickness: 22

Unit Size: 200 X 1510

Aperture: 163 X 1472

Press Bead Glazing

N/A

The overall frame dimensions can be increased or reduced by using other profiles:

Door Outer Frame ►

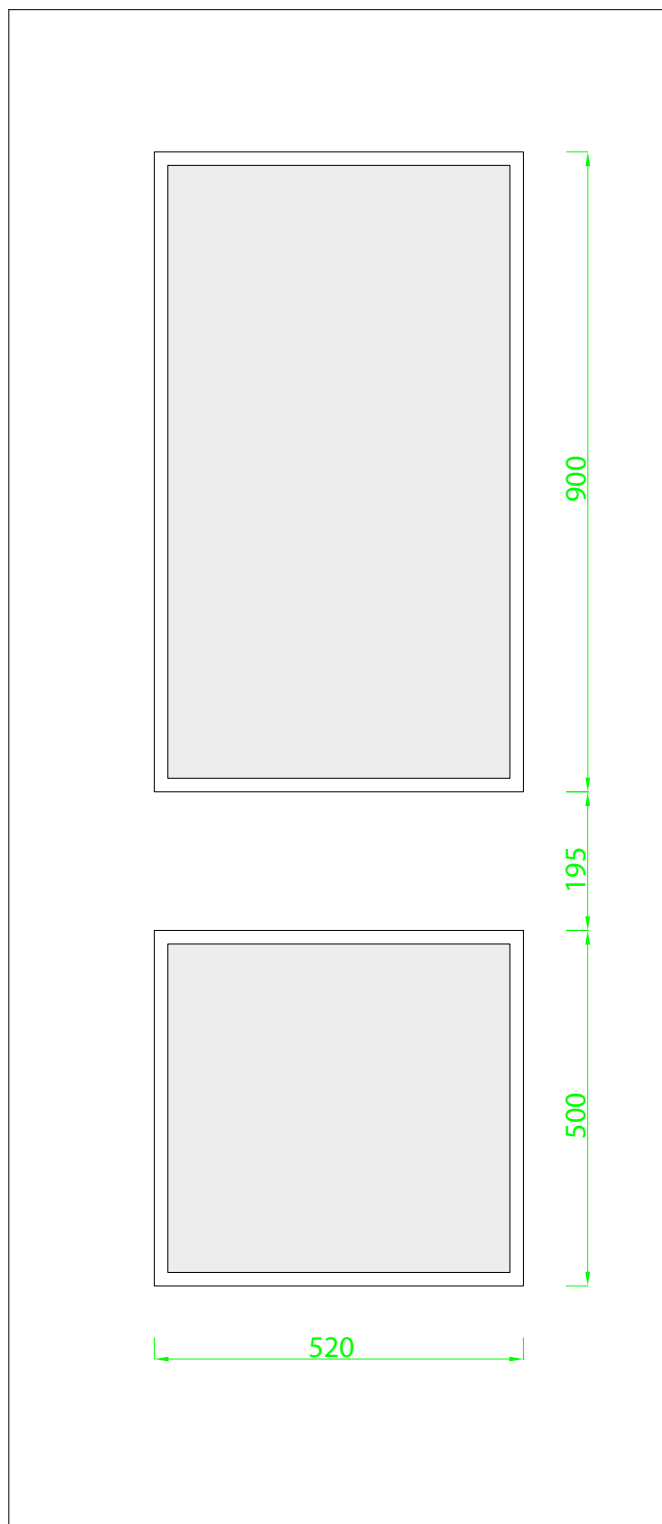
PVC-U Thresholds ►

Ali Thresholds / Tie Bars ►

Cills ►

Add On / Frame Extensions ►

Back to Contents ►



Door Sash

Width

Max: 908mm

Min: 728mm

Height

Max: 2098mm

Min: 1803mm

Profile Dimensions:

72 Frame: 52mm+4mm air gap = **56mm**

52 Frame: 32mm+4mm air gap = **36mm**

Ali low threshold open IN = **20mm**

Ali low threshold open OUT = **17mm**

Cill = **30mm**

Width

72 Frame

Max = (Max sash width + 56mm + 56mm)

Min = (Min sash width + 56mm + 56mm)

52 Frame

Max = (Max sash width + 36mm + 36mm)

Min = (Min sash width + 36mm + 36mm)

Height

72 Frame low threshold open IN

Max = (Max sash height + 56mm + 20mm)

Min = (Min sash height + 56mm + 20mm)

52 Frame low threshold open IN

Max = (Max sash height + 36mm + 20mm)

Min = (Min sash height + 36mm + 20mm)

Double Door Width 72mm Frame

Max = (Max sash width + Max sash width + 56mm + 56mm + 8mm)

Min = (Min sash width + Min sash width + 56mm + 56mm + 8mm)

Press Glazing

Unit Thickness: 22

Unit Size: 510 X 890 510 X 490

Aperture: 466 X 846 466 X 448

Press Bead Glazing

Unit Thickness: 24

Unit Size: 470 X 1852 470 X 455

Aperture: 438 X 818 438 X 422

The overall frame dimensions can be increased or reduced by using other profiles:

Door Outer Frame ►

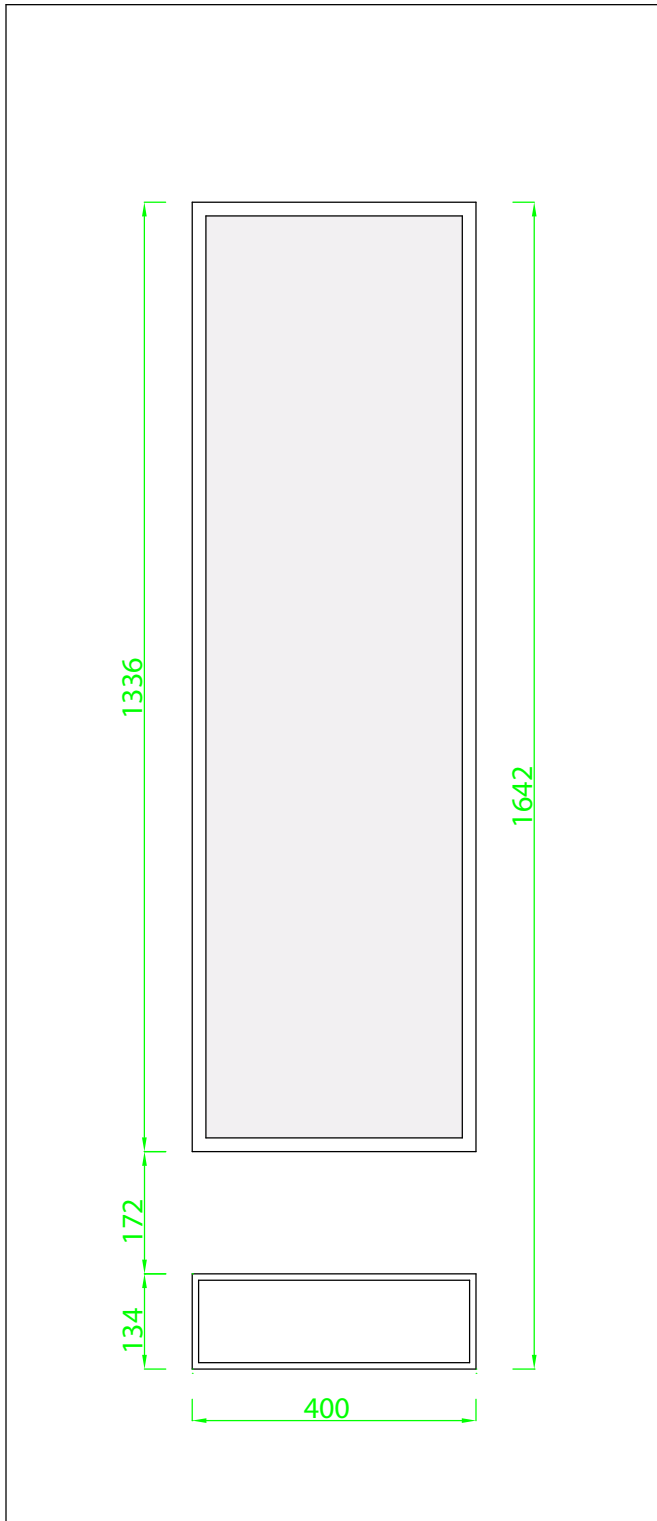
PVC-U Thresholds ►

Ali Thresholds / Tie Bars ►

Cills ►

Add On / Frame Extensions ►

Back to Contents ►



Door Sash

Width

Max: 908mm

Min: 675mm

Height

Max: 2098mm

Min: 1850mm

Profile Dimensions:

72 Frame: 52mm+4mm air gap = **56mm**

52 Frame: 32mm+4mm air gap = **36mm**

Ali low threshold open IN = **20mm**

Ali low threshold open OUT = **17mm**

Cill = **30mm**

Width

72 Frame

Max = (Max sash width + 56mm + 56mm)

Min = (Min sash width + 56mm + 56mm)

52 Frame

Max = (Max sash width + 36mm + 36mm)

Min = (Min sash width + 36mm + 36mm)

Height

72 Frame low threshold open IN

Max = (Max sash height + 56mm + 20mm)

Min = (Min sash height + 56mm + 20mm)

52 Frame low threshold open IN

Max = (Max sash height + 36mm + 20mm)

Min = (Min sash height + 36mm + 20mm)

Double Door Width 72mm Frame

Max = (Max sash width + Max sash width + 56mm + 56mm + 8mm)

Min = (Min sash width + Min sash width + 56mm + 56mm + 8mm)

Press Glazing

Unit Thickness: 22

Unit Size: 387 X 1323

Aperture: 352 X 1288

Press Bead Glazing

N/A

The overall frame dimensions can be increased or reduced by using other profiles:

Door Outer Frame ►

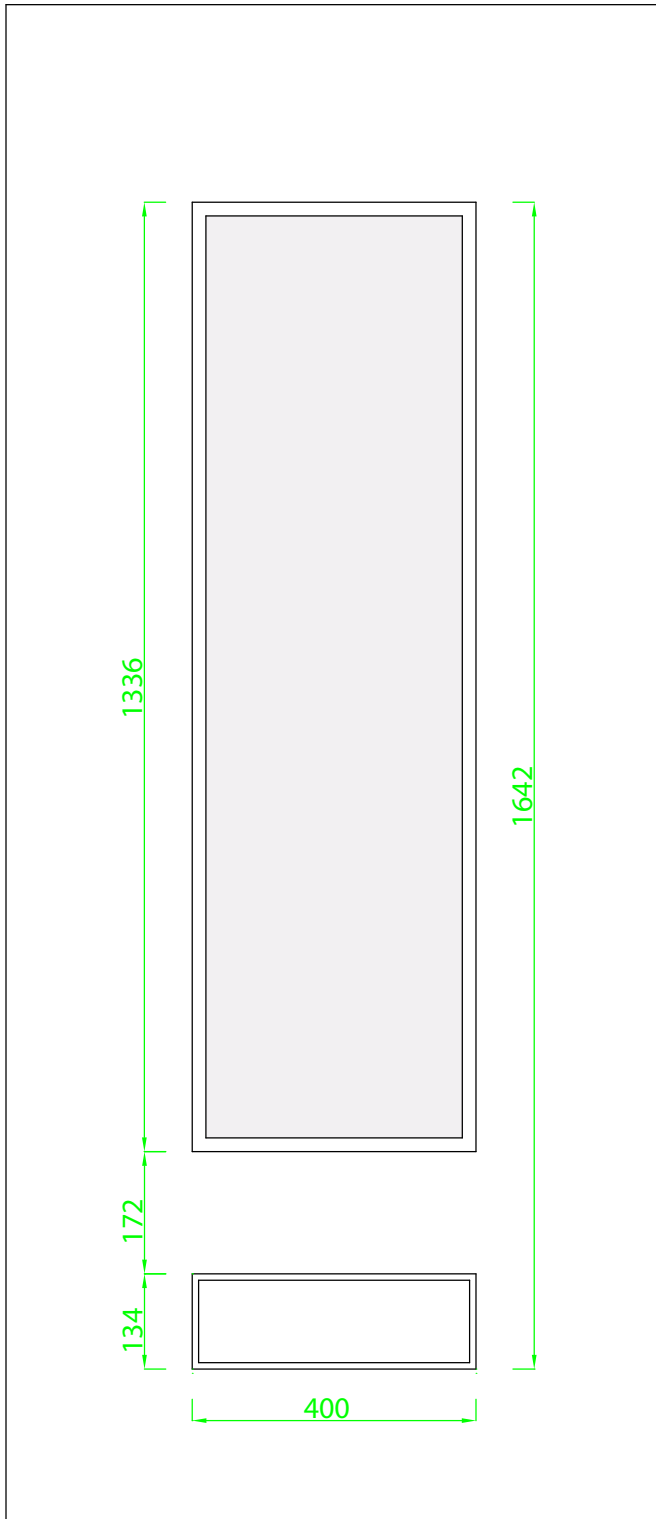
PVC-U Thresholds ►

Ali Thresholds / Tie Bars ►

Cills ►

Add On / Frame Extensions ►

Back to Contents ►



Door Sash

Width

Max: 908mm

Min: 675mm

Height

Max: 2098mm

Min: 1850mm

Profile Dimensions:

72 Frame: 52mm+4mm air gap = **56mm**

52 Frame: 32mm+4mm air gap = **36mm**

Ali low threshold open **IN** = **20mm**

Ali low threshold open **OUT** = **17mm**

Cill = **30mm**

Height

72 Frame low threshold open IN

Max = (Max sash height + 56mm + 20mm)

Min = (Min sash height + 56mm + 20mm)

52 Frame low threshold open IN

Max = (Max sash height + 36mm + 20mm)

Min = (Min sash height + 36mm + 20mm)

Double Door Width 72mm Frame

Max = (Max sash width + Max sash width + 56mm + 56mm + 8mm)

Min = (Min sash width + Min sash width + 56mm + 56mm + 8mm)

Press Glazing

Unit Thickness: 22

Unit Size: 387 X 1323

Aperture: 352 X 1288

Press Bead Glazing

N/A



The overall frame dimensions can be increased or reduced by using other profiles:

Door Outer Frame ►

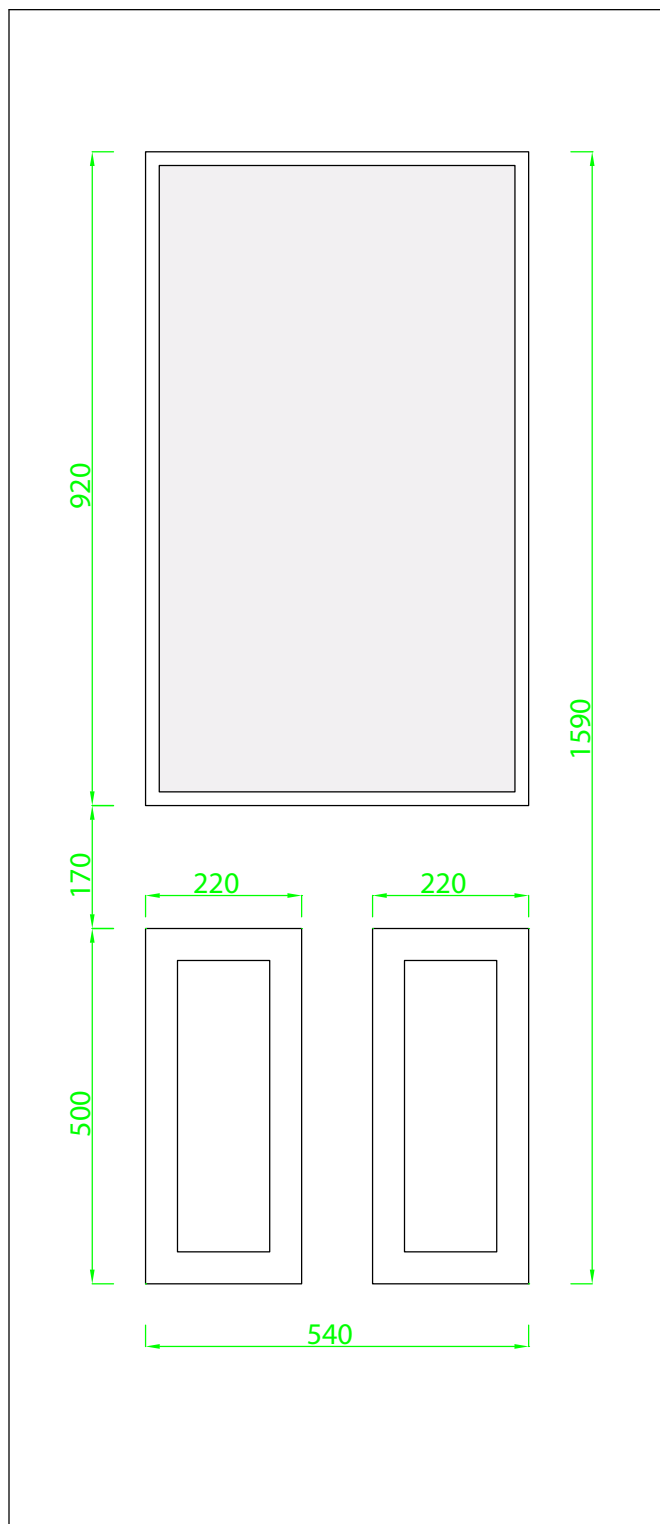
PVC-U Thresholds ►

Ali Thresholds / Tie Bars ►

Cills ►

Add On / Frame Extensions ►

Back to Contents ►



Door Sash

Width

Max: 908mm

Min: 748mm

Height

Max: 2098mm

Min: 1801mm

Profile Dimensions:

72 Frame: 52mm+4mm air gap = **56mm**

52 Frame: 32mm+4mm air gap = **36mm**

Ali low threshold open IN = 20mm

Ali low threshold open OUT = 17mm

Cill = 30mm

Width

72 Frame

Max = (Max sash width + 56mm + 56mm)

Min = (Min sash width + 56mm + 56mm)

52 Frame

Max = (Max sash width + 36mm + 36mm)

Min = (Min sash width + 36mm + 36mm)

Height

72 Frame low threshold open IN

Max = (Max sash height + 56mm + 20mm)

Min = (Min sash height + 56mm + 20mm)

52 Frame low threshold open IN

Max = (Max sash height + 36mm + 20mm)

Min = (Min sash height + 36mm + 20mm)

Double Door Width 72mm Frame

Max = (Max sash width + Max sash width + 56mm + 56mm + 8mm)

Min = (Min sash width + Min sash width + 56mm + 56mm + 8mm)

Press Glazing

Unit Thickness: 22

Unit Size: 530 X 910

Aperture: 495 X 872

Press Bead Glazing

Unit Thickness: 24

Unit Size: 495 X 875

Aperture: 462 X 842

The overall frame dimensions can be increased or reduced by using other profiles:

Door Outer Frame ►

PVC-U Thresholds ►

Ali Thresholds / Tie Bars ►

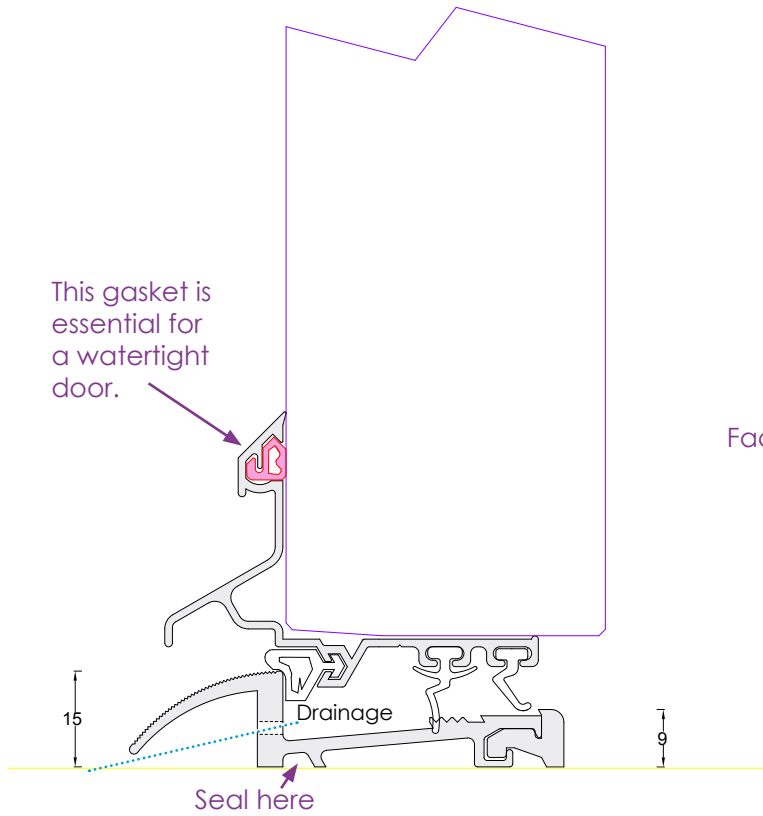
Cills ►

Add On / Frame Extensions ►

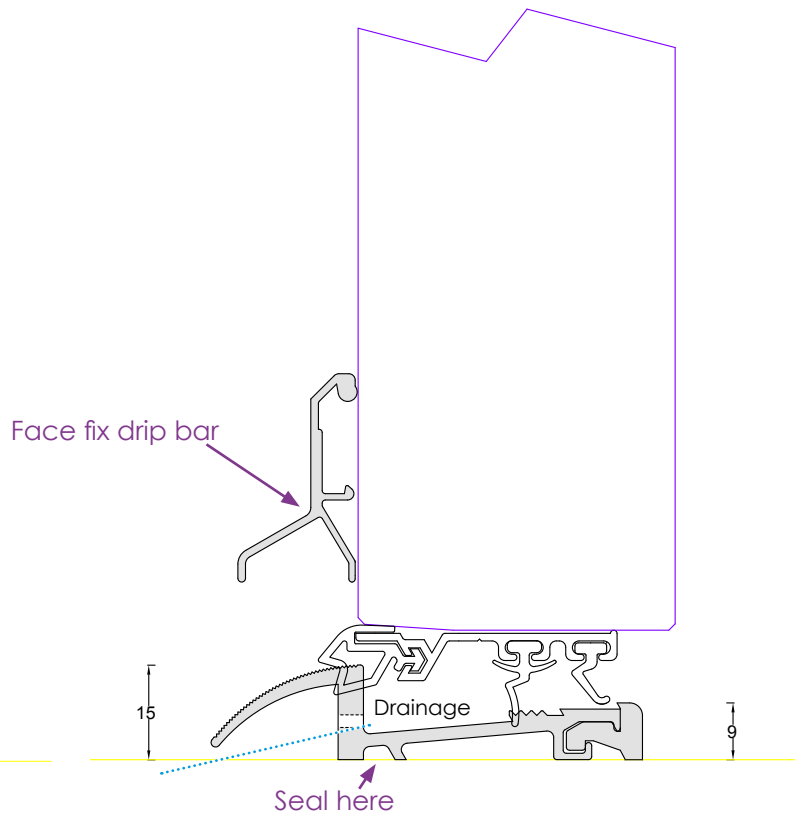
Back to Contents ►

Open IN Aluminium Threshold MWK 20

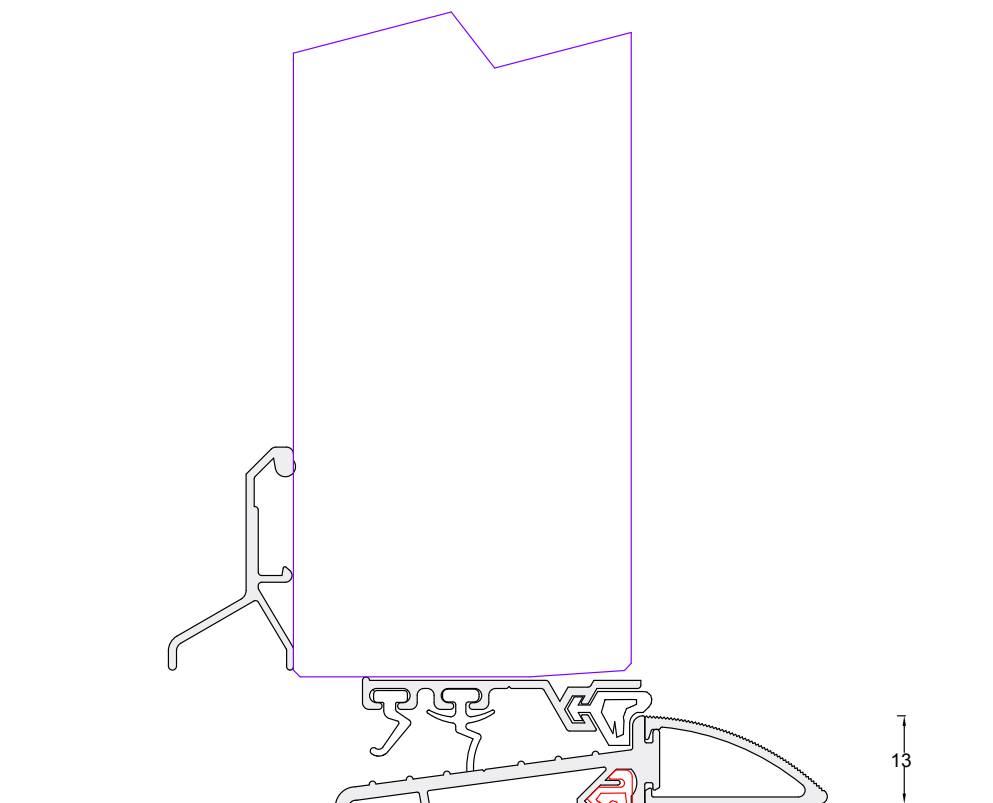
Drip bar and gasket carrier one piece, colour matched to the furniture.



Face fix drip bar with separate gasket carrier, colour matched to the door.



Open OUT Aluminium Threshold



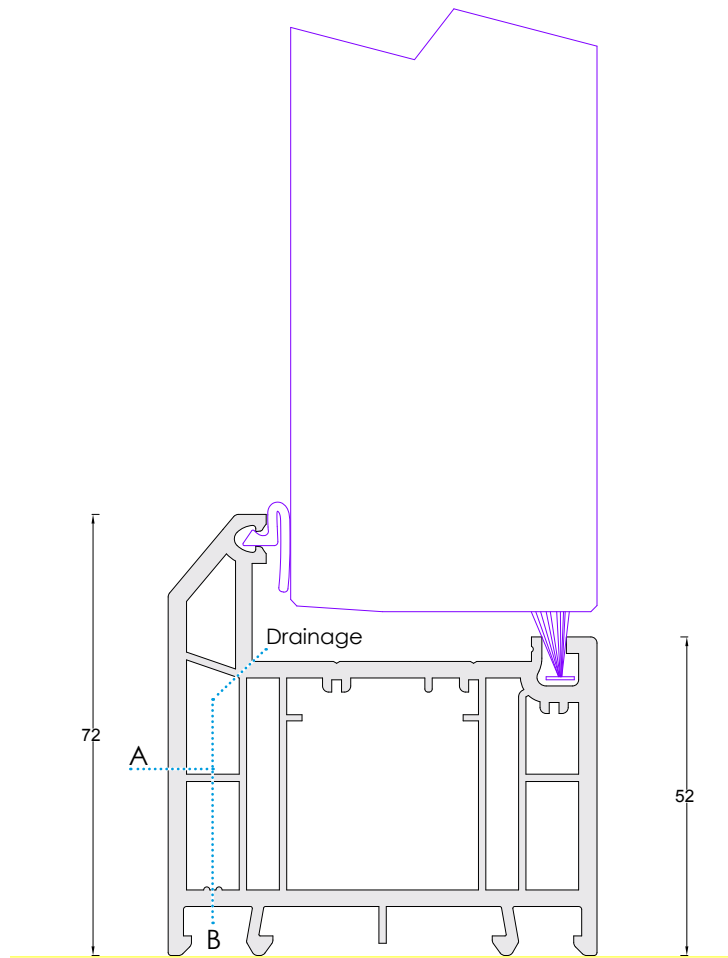


Threshold Detail

72mm PVC-U Threshold

A= Face Drainage
(Slots 5mm x 35mm)

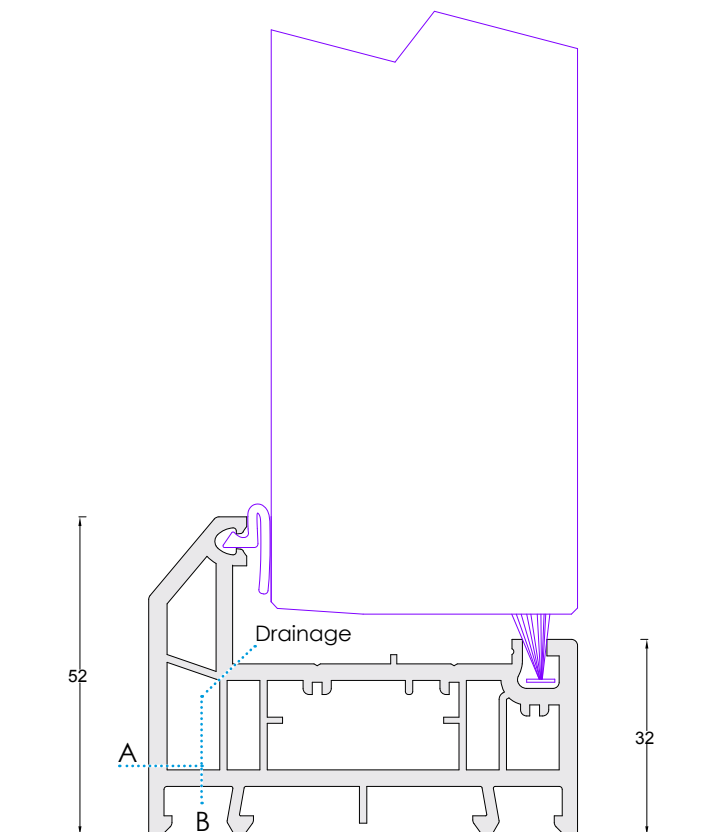
B= Concealed Drainage



52mm PVC-U Threshold

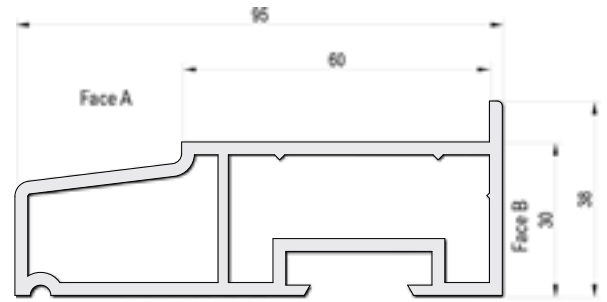
A= Face Drainage
(Slots 5mm x 35mm)

B= Concealed Drainage



If a cill is required on a Rockdoors with a sideframe a reinforced cill must be used.

95mm Cill
Art.546360

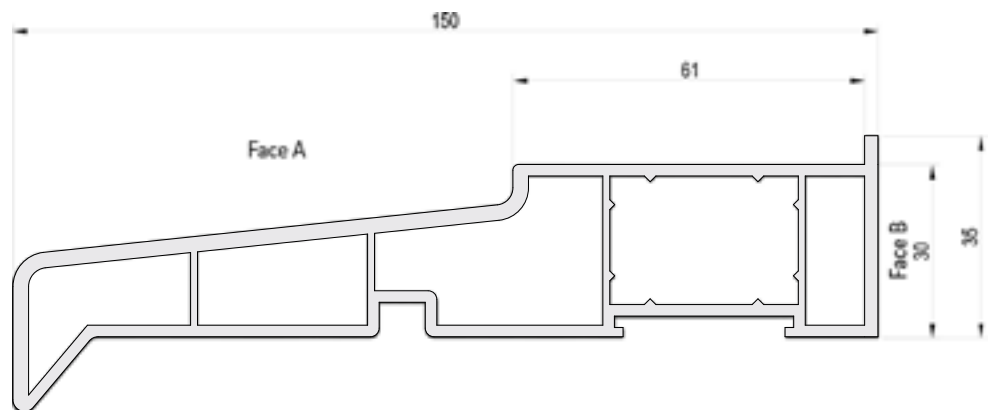


Reinforcement
Art.251355

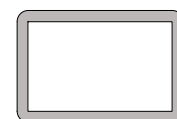


50mm x 15mm

150mm Cill
Art.246330



Reinforcement
Art.324971



30mm x 20mm

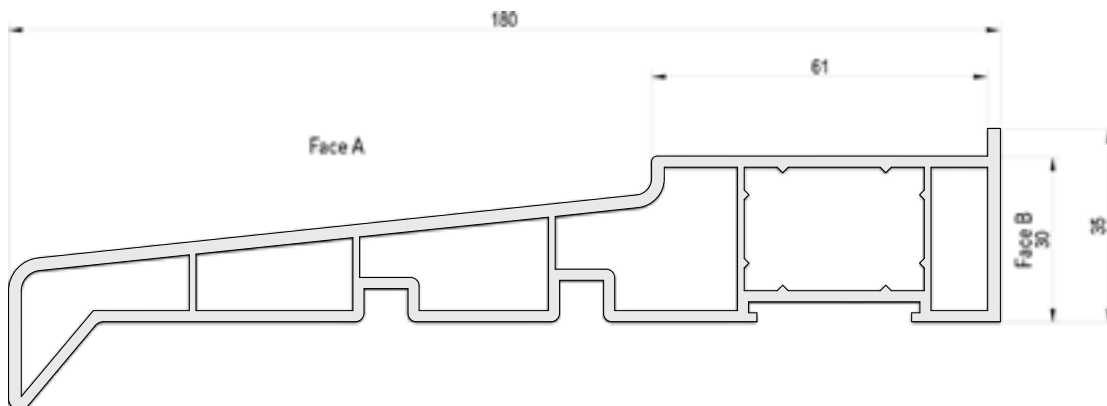
Face A & Face B used to identify foiled face



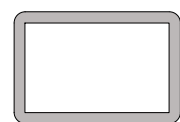
Cill Detail

If a cill is required on a Rockdoors with a sideframe a reinforced cill **must** be used.

180mm Cill
Art.246340
Reinforcement 30 x 20

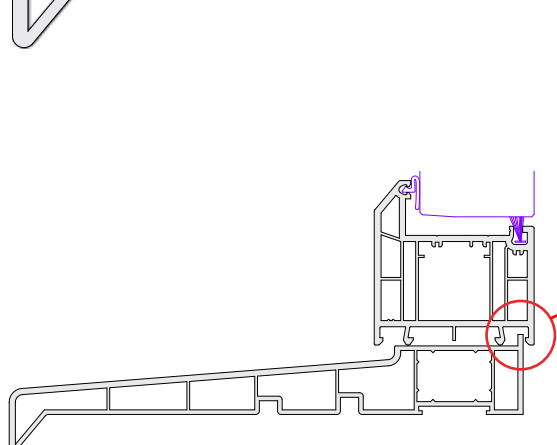
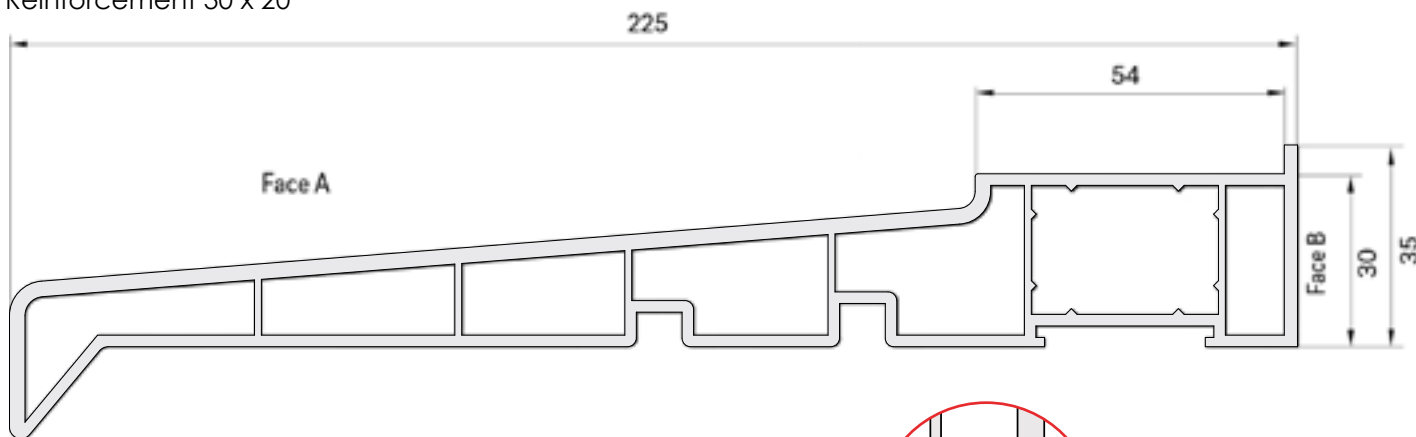


Reinforcement for BOTH 180mm and 225mm cill
Art.324971
50 x 15
Reinforcement 30 x 20



30mm x 20mm

225mm Cill
Art.503940
Reinforcement 30 x 20



72mm and 52mm PVC-U threshold on a **225mm cill**
small base so the frame **NEEDS SITTING BACK**

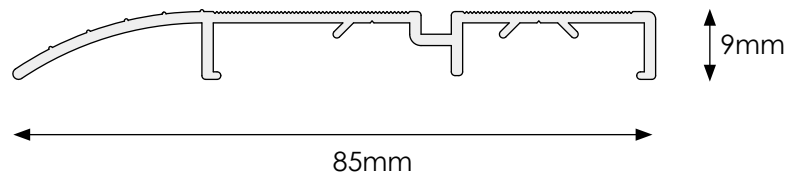
Face A & Face B used to identify foiled face



[Back to Contents](#)

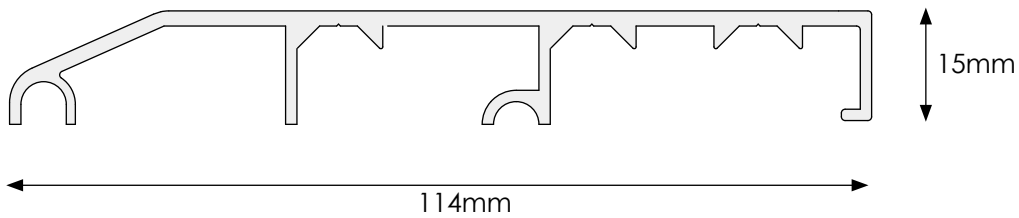


Tie Bar 9mm x 85mm (Max 3m in length)



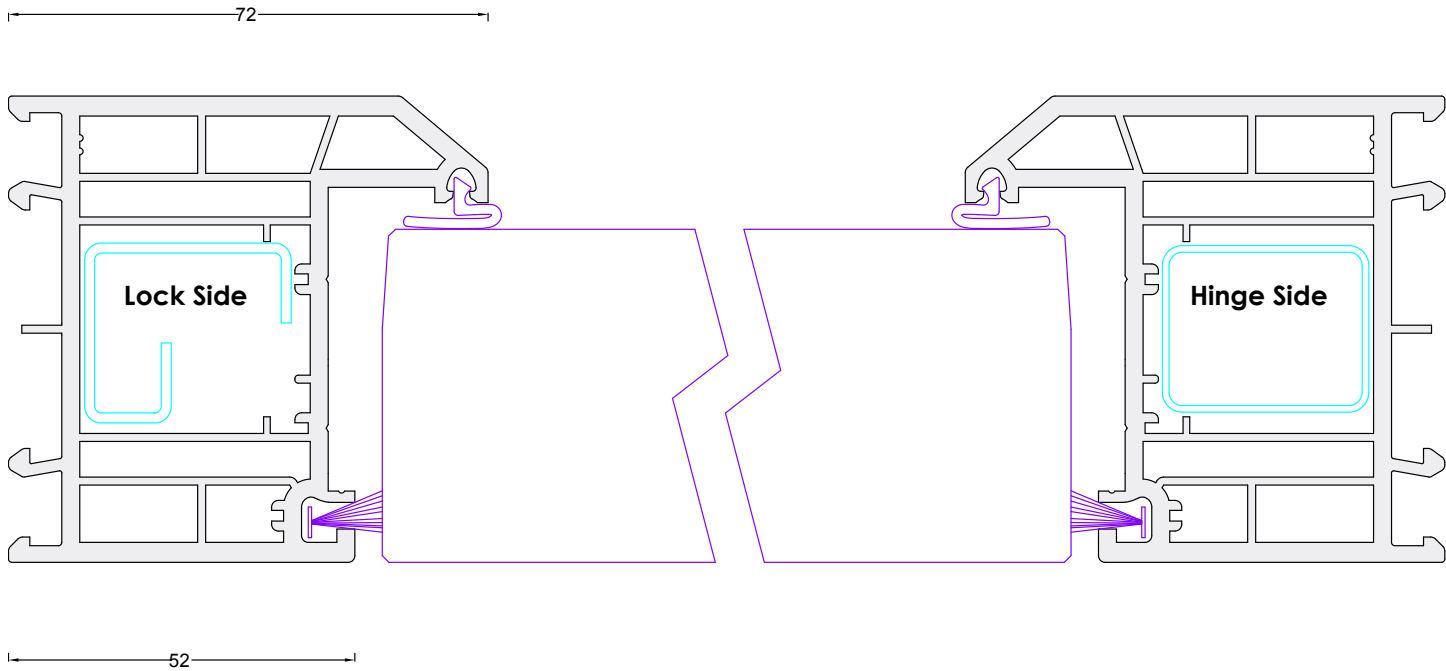
Aluminium
Available in Gold and Silver

Tie Bar 15mm x 114mm (Max 3m in length)

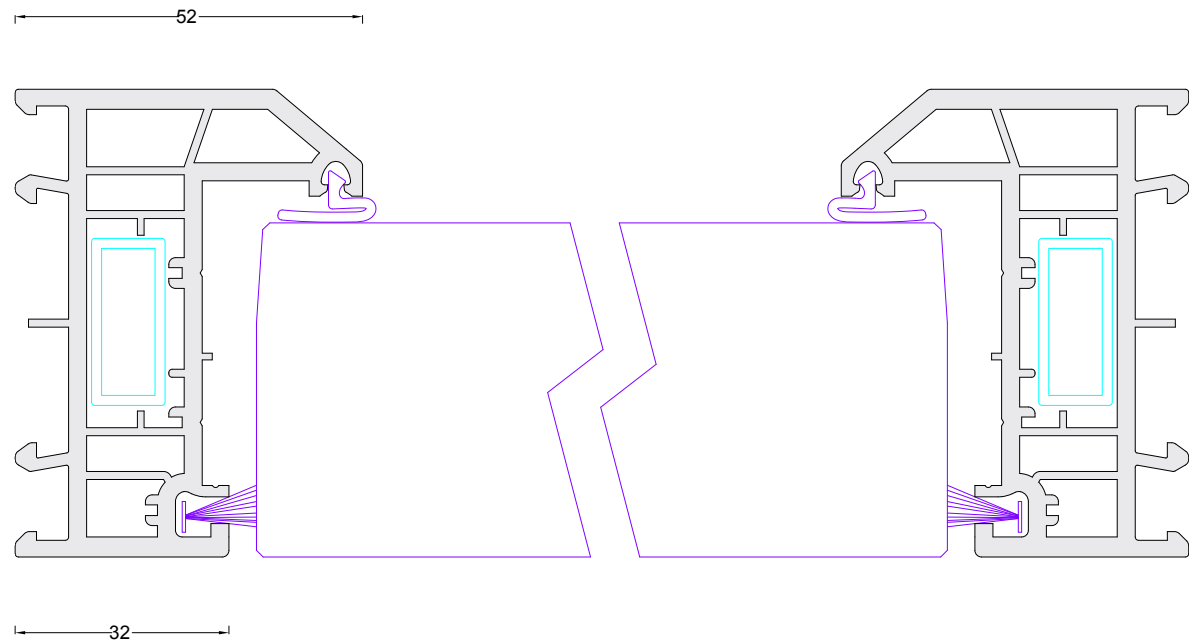


Aluminium
Available in Gold and Silver

72mm Outer Frame



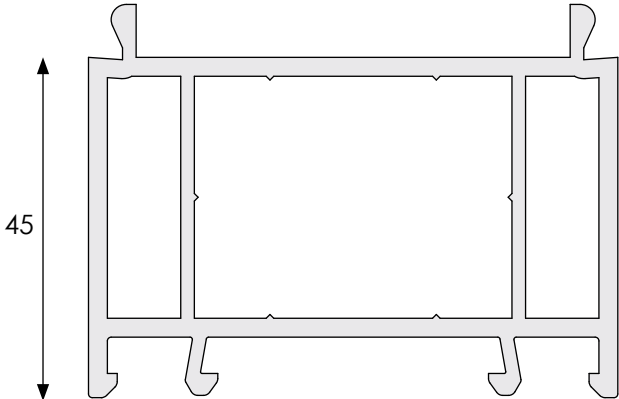
52mm Outer Frame



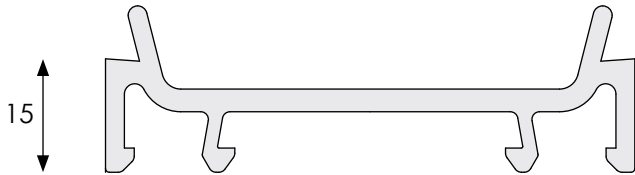


Add On / Frame Extension

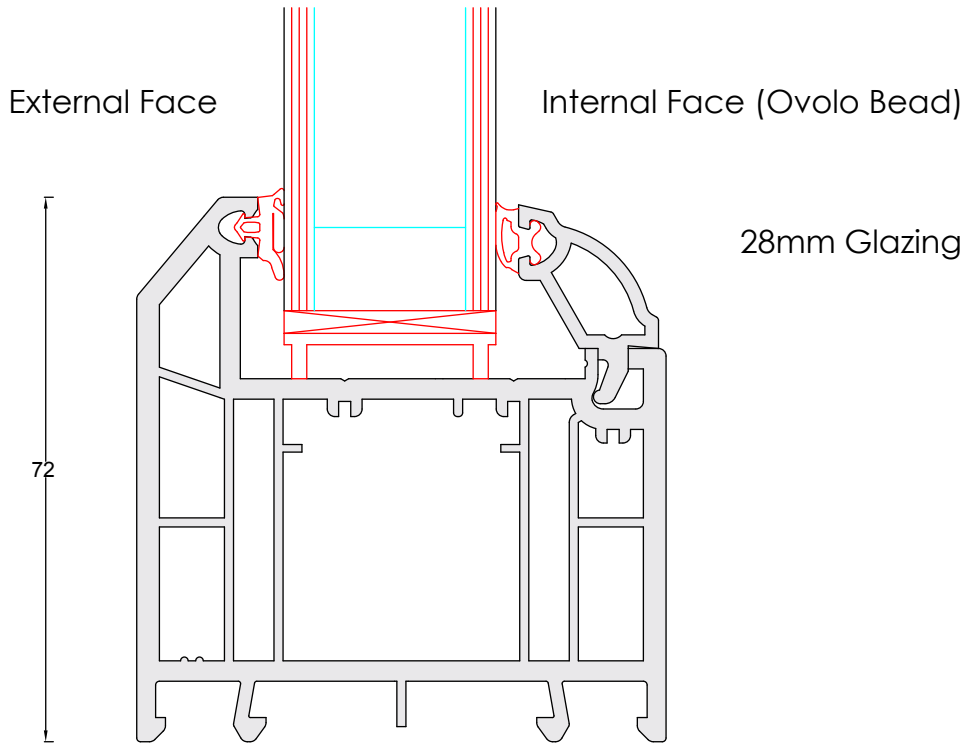
45mm Add On / Frame Extension



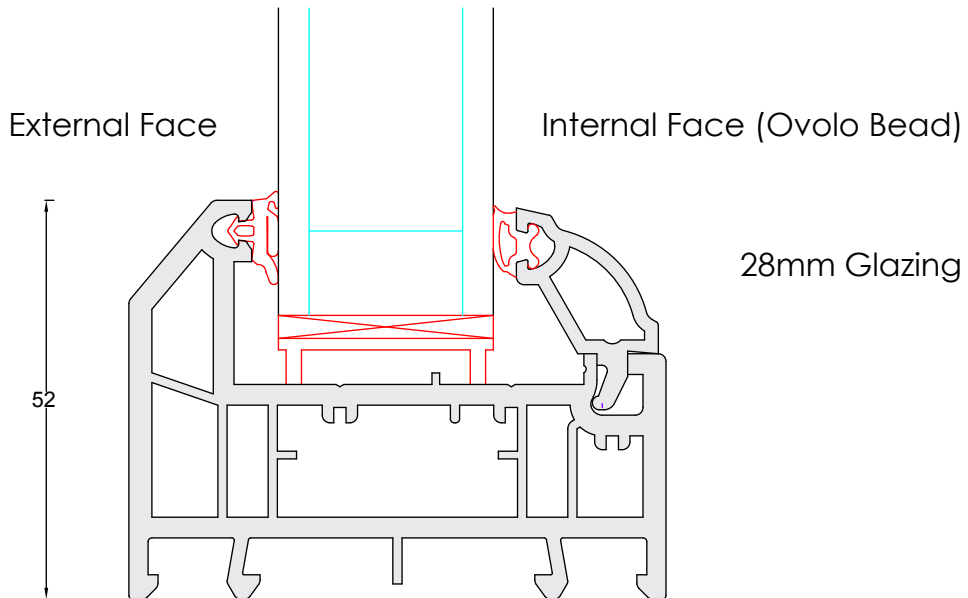
15mm Add On / Frame Extension



72mm Side Frame



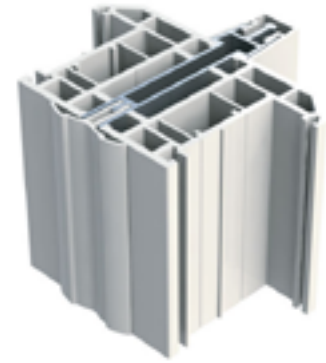
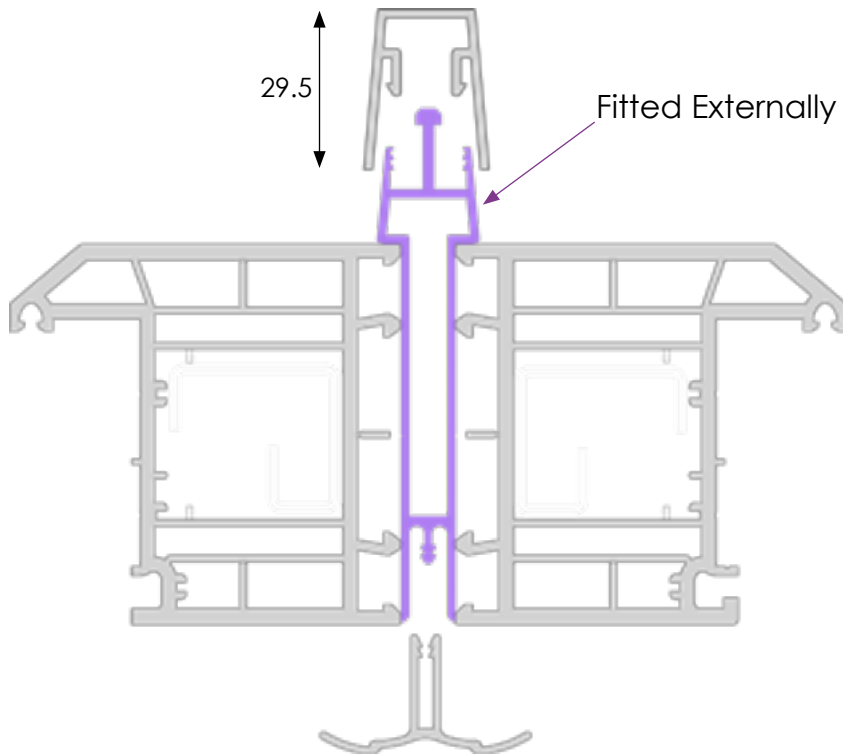
52mm Side Frame



Heavy Weight Coupler (10mm wide)

Protruding

Recommended for the higher exposure category. The coupler protrudes this makes it the strongest design of all couplers offered.

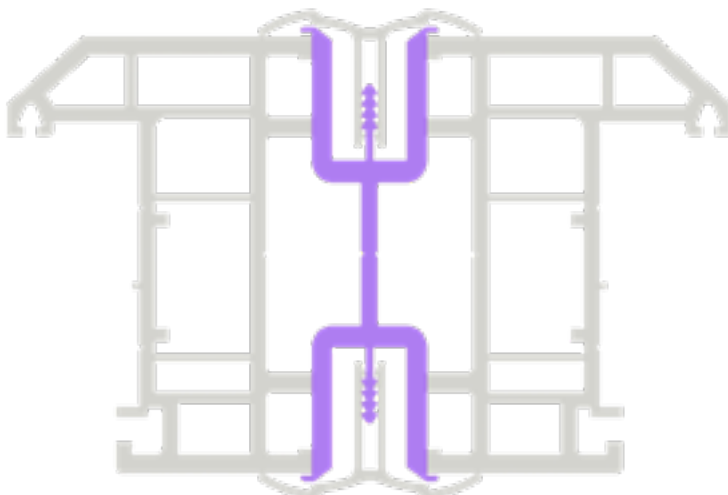


CODE	WWL153
IXX (cm)	27.95
IYY (cm)	0.79
DEDUCTION	5mm Per Frame

Medium Weight Coupler (20mm wide)

Flush Fitting

Recommended where a higher exposure category or larger side frames is requested and the couplers remain Flush to the door frame

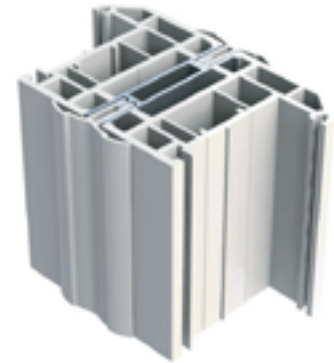
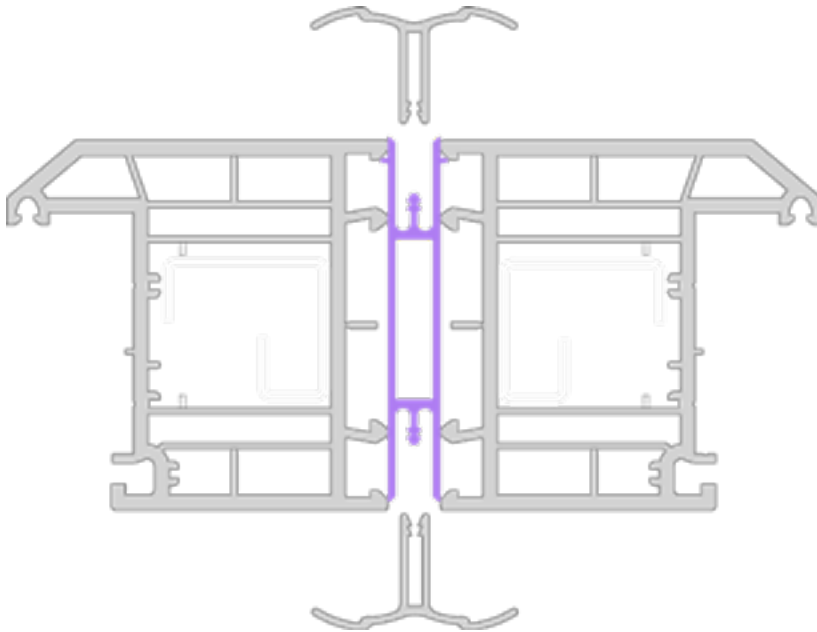


CODE	WWL106
IXX (cm)	24.5
IYY (cm)	2.4
DEDUCTION	10mm Per Frame

Light Weight Coupler (10mm wide)

Flush Fitting

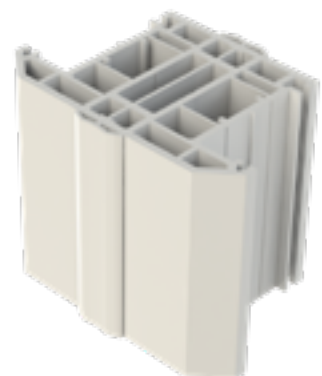
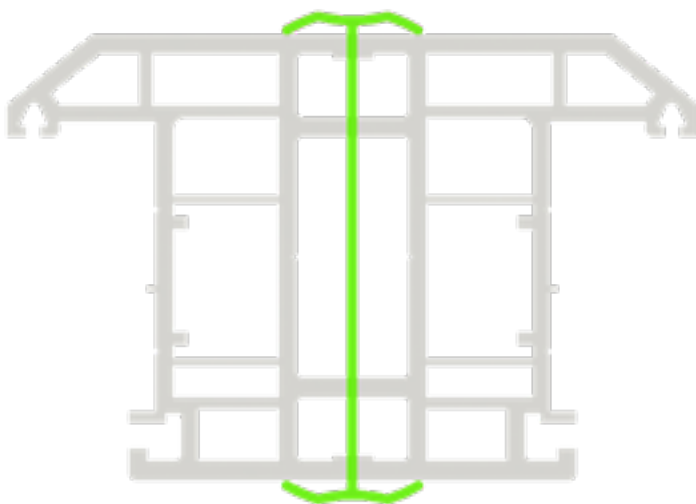
Recommended in lower exposure zones and for the narrower side frames.



CODE	WVL150
IXX (cm)	9.97
IYY (cm)	0.40
DEDUCTION	5mm Per Frame

1.5mm Coupler (1.5mm wide) PVC-U

Only use on single door fanlights

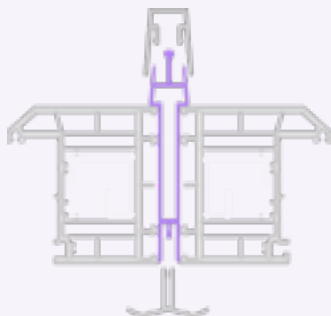


CODE	PFC70
IXX (cm)	0
IYY (cm)	10
DEDUCTION	0.75mm Per Frame

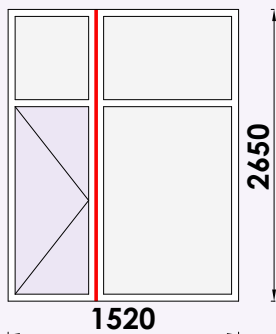
72mm Reinforced Outer Frame to achieve 800PA.

The door size cannot be larger than 900mm x 2070mm

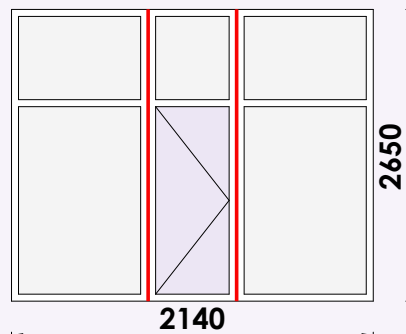
Heavy Duty (10mm wide)
Rigidity : **Very High**



MAX Size with
ONE
Sideframe



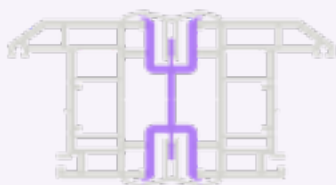
MAX Size with
TWO
Sideframes



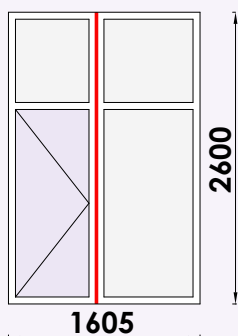
MAX Sizes for Side Frames constructed from
72mm Reinforced Outer Frame using **Heavy Duty Coupler**

The door size cannot be larger than 900mm x 2070mm

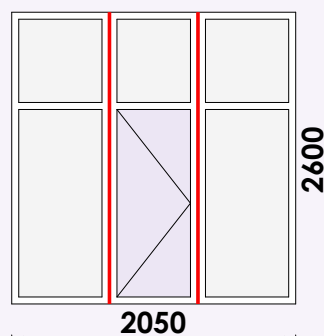
Medium Duty Coupler (20mm Wide)
Rigidity : **High**



MAX Size with
ONE
Sideframe



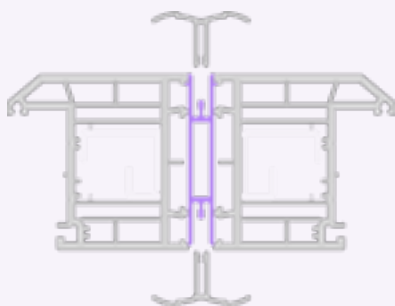
MAX Size with
TWO
Sideframes



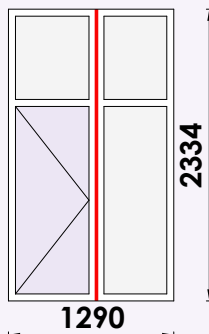
MAX Sizes for Side Frames constructed from
72mm Reinforced Outer Frame using **Medium Duty Coupler**

The door size cannot be larger than 900mm x 2070mm

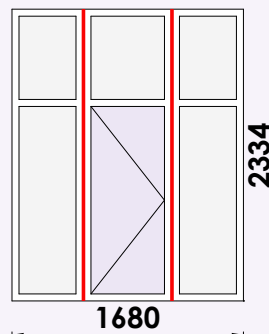
Light Duty Coupler (10mm wide)
Rigidity : **Standard**



MAX Size with
ONE
Sideframe



MAX Size with
TWO
Sideframes

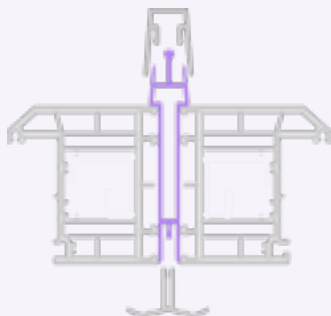


MAX Sizes for Side Frames constructed from
72mm Reinforced Outer Frame using **Light Duty Coupler**

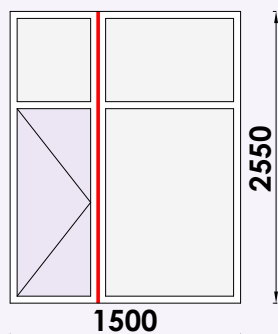
52mm Reinforced Outer Frame to achieve 800PA.

The door size cannot be larger than 900mm x 2070mm

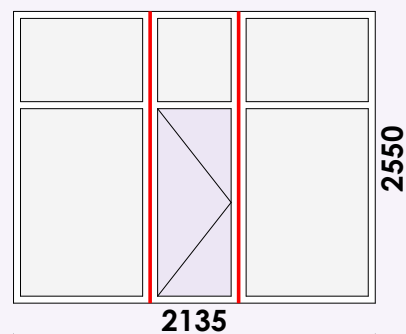
Heavy Duty (10mm wide)
Rigidity : **Very High**



MAX Size with
ONE
Sideframe



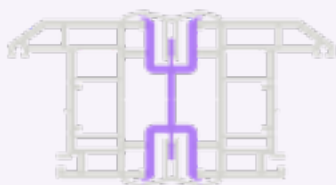
MAX Size with
TWO
Sideframes



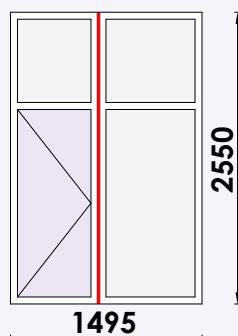
MAX Sizes for Side Frames constructed from
72mm Reinforced Outer Frame using **Heavy Duty Coupler**

The door size cannot be larger than 900mm x 2070mm

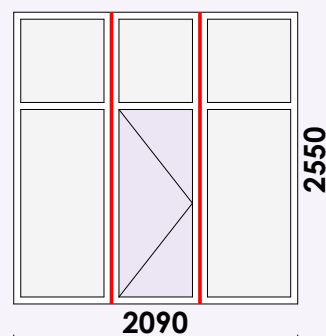
Medium Duty Coupler (20mm Wide)
Rigidity : **High**



MAX Size with
ONE
Sideframe



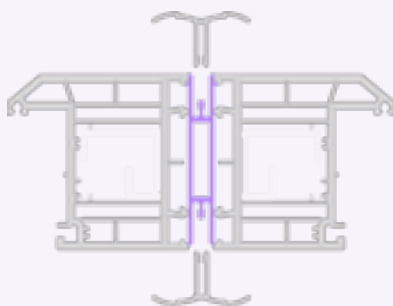
MAX Size with
TWO
Sideframes



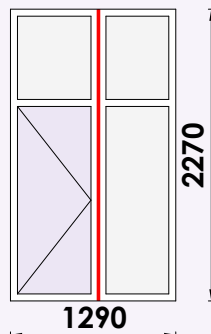
MAX Sizes for Side Frames constructed from
72mm Reinforced Outer Frame using **Medium Duty Coupler**

The door size cannot be larger than 900mm x 2070mm

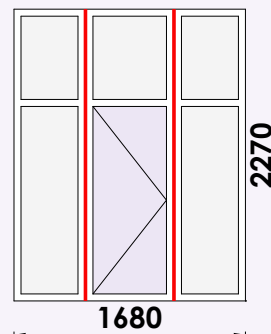
Light Duty Coupler (10mm wide)
Rigidity : **Standard**



MAX Size with
ONE
Sideframe



MAX Size with
TWO
Sideframes



MAX Sizes for Side Frames constructed from
72mm Reinforced Outer Frame using **Light Duty Coupler**

Sideframe with MIDRAIL

72mm outer with 105.5 Midrail: **min width =323.5mm**

72mm outer with 69 Midrail: **min width =360mm**

52mm outer with 69 Midrail: **min width =320mm**

Sideframe with NO Midrail GROOVED

72mm outer: **min width =295mm**

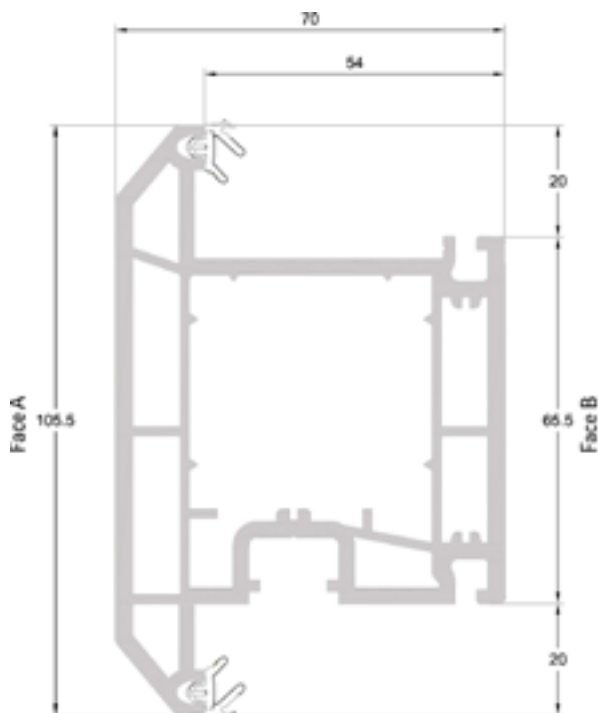
52mm outer: **min width =275mm**

Sideframe with NO Midrail KNIFED OFF by hand

72mm outer: **min width =190mm**

52mm outer: **min width =190mm**

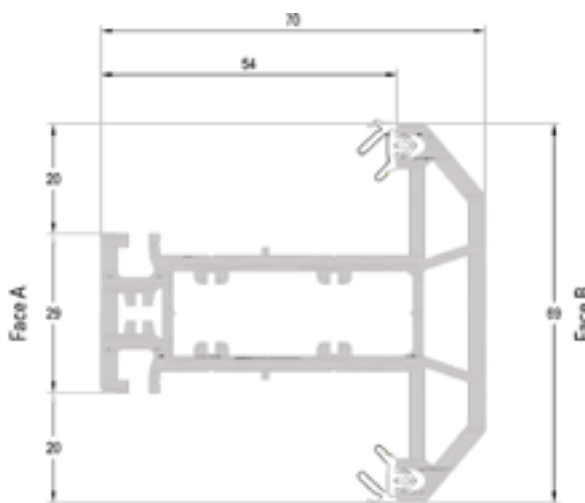
Standard and the stainless steel option letterplates cannot be fitted into midrails.



Door T Sash / Midrail 105.5mm

Standard Midrail in sideframes

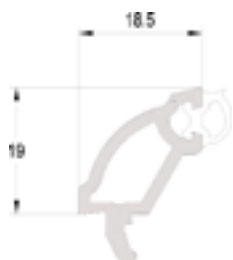
Art.546635



Slim Transom / Mullion T 69mm

Standard Mullion in Fanlights

Art.546085



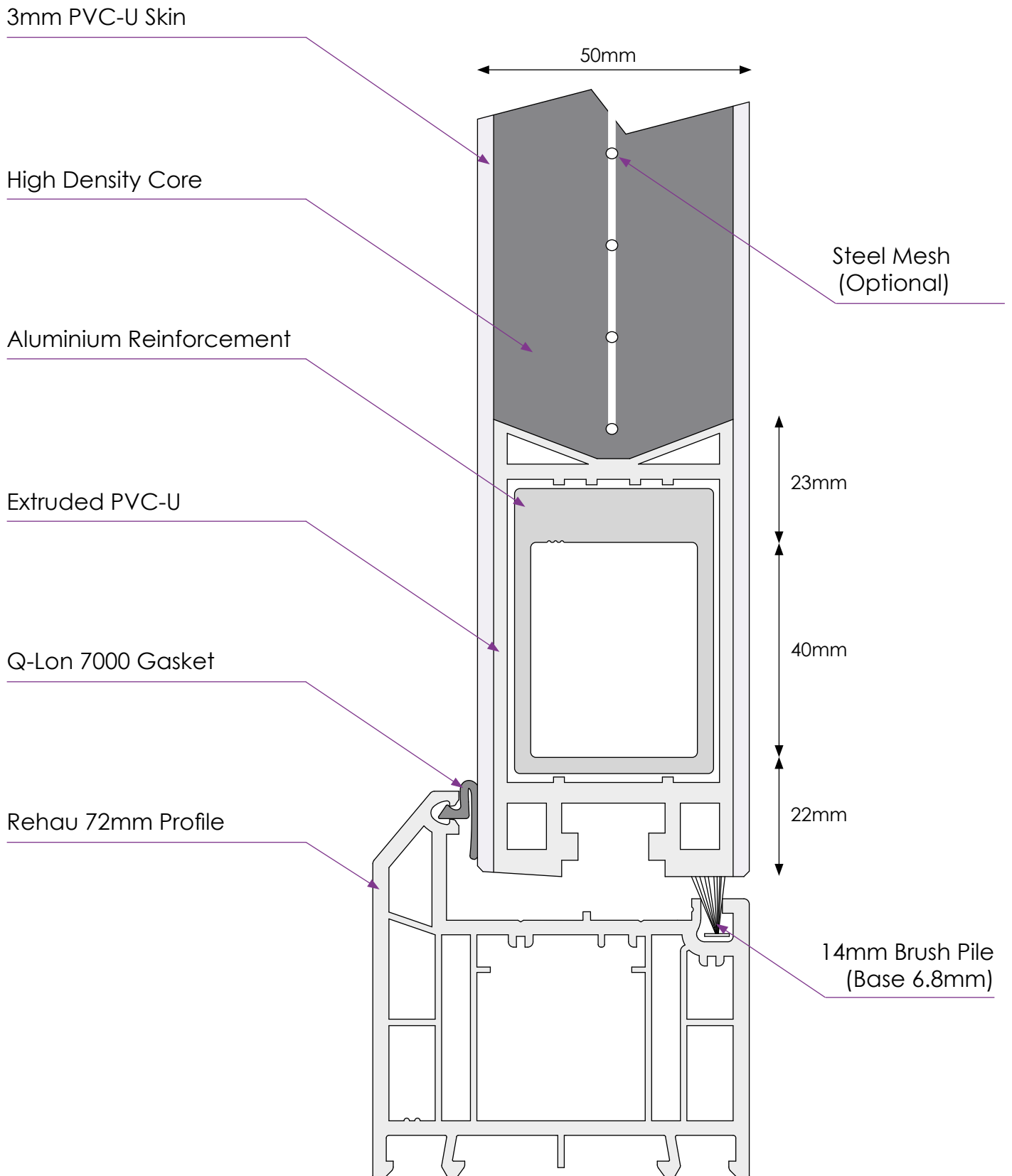
Co-extruded Glazing Bead 18.5

For 28mm sealed units

Art.546572



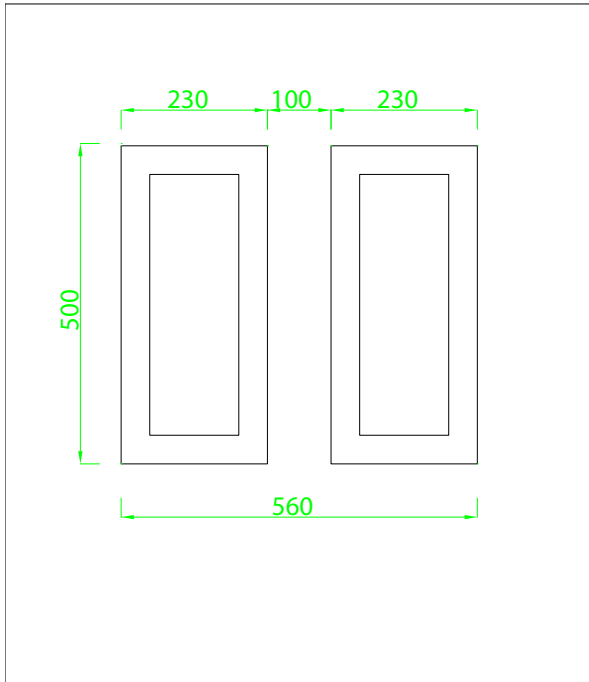
Inner Frame Detail



DOUBLE MOULDED PANELS

MAX SIZE: w785 x h950

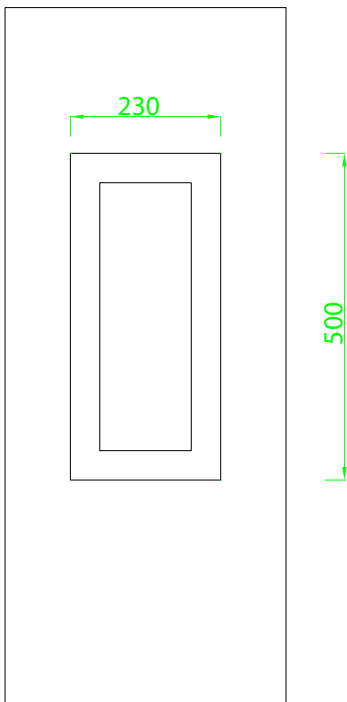
MIN SIZE: w620 x h580



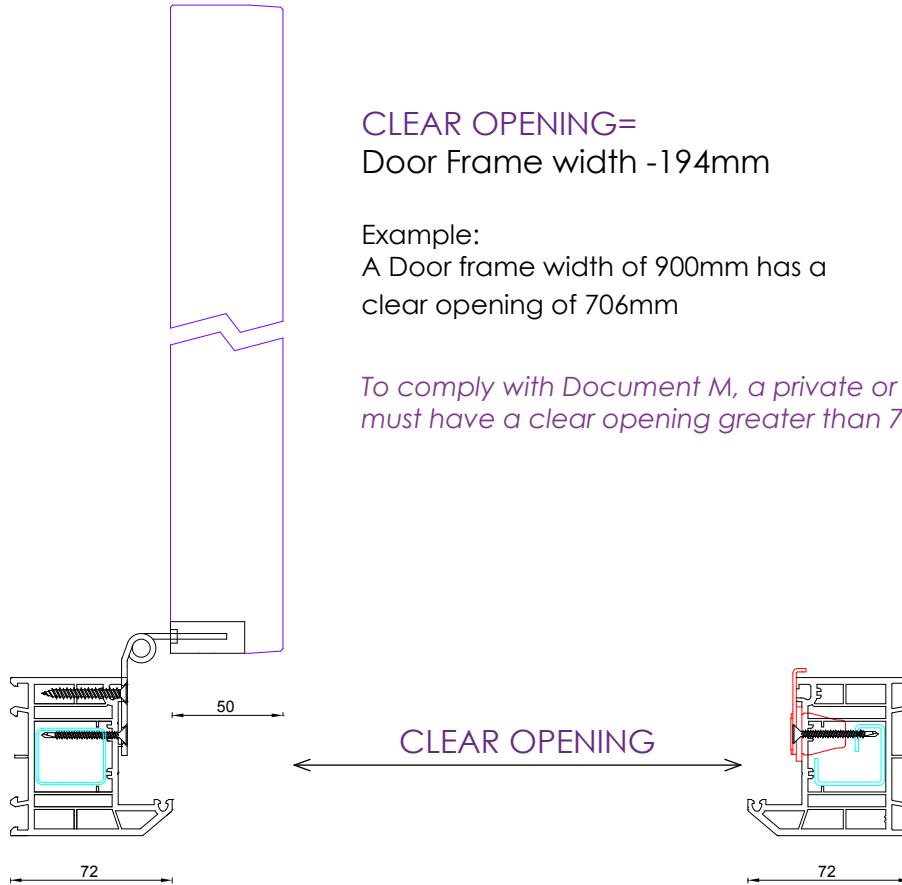
SINGLE MOULDED PANELS

MAX SIZE: w420 x h950

MIN SIZE: w290 x h580



72mm Outer Frame

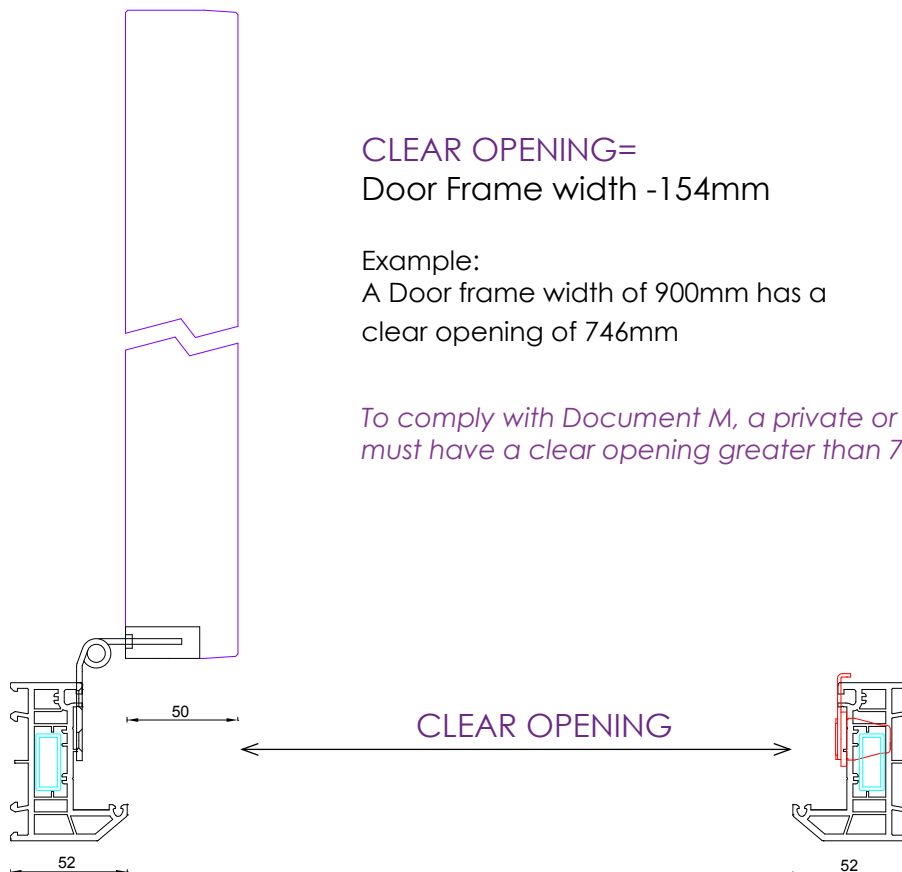


CLEAR OPENING=
Door Frame width -194mm

Example:
A Door frame width of 900mm has a
clear opening of 706mm

*To comply with Document M, a private or communal entrance
must have a clear opening greater than 775mm.*

52mm Outer Frame

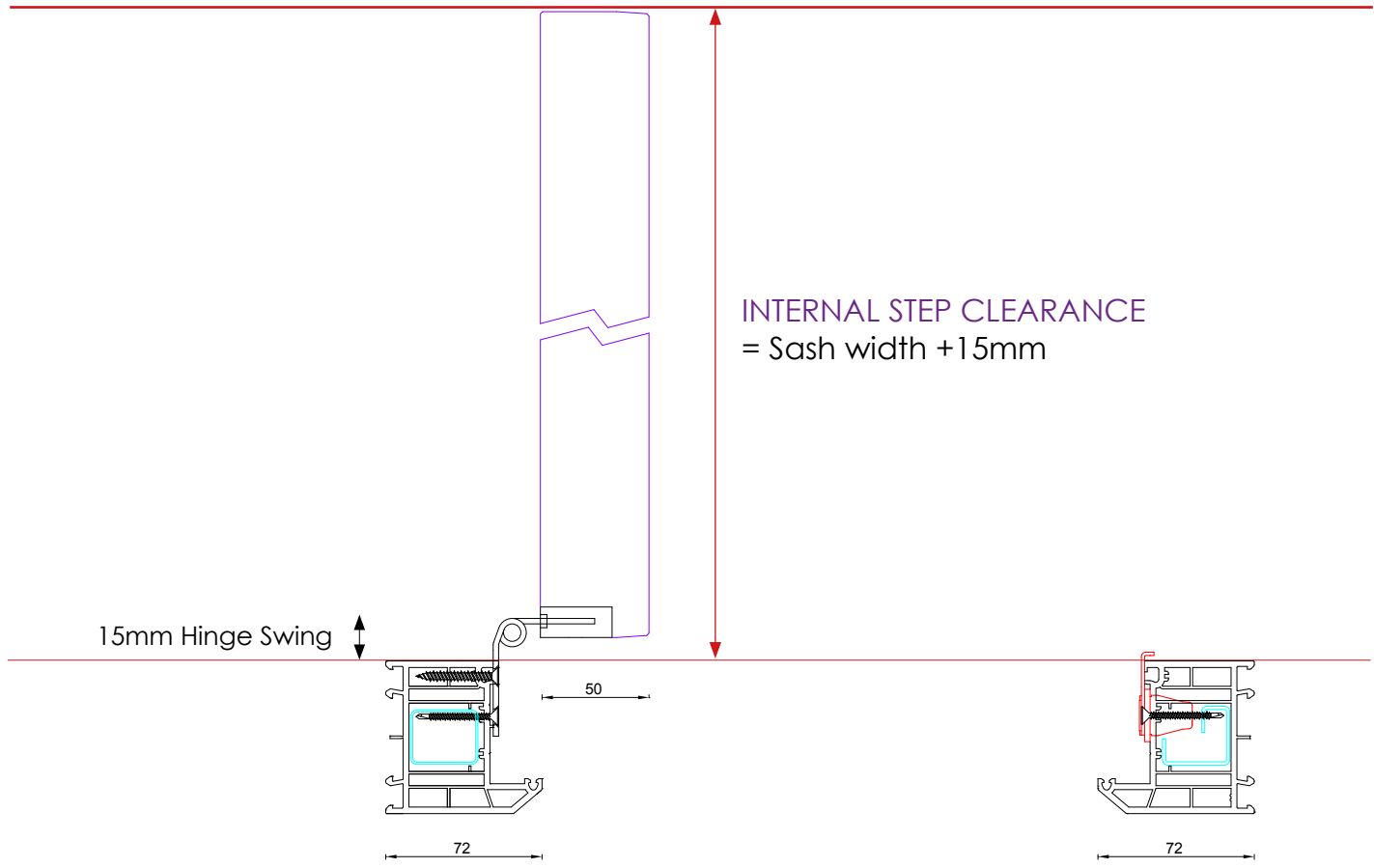


CLEAR OPENING=
Door Frame width -154mm

Example:
A Door frame width of 900mm has a
clear opening of 746mm

*To comply with Document M, a private or communal entrance
must have a clear opening greater than 775mm.*

INTERNAL STEP



For **72mm** Profile Sash Width = Overall Frame Width - **112**

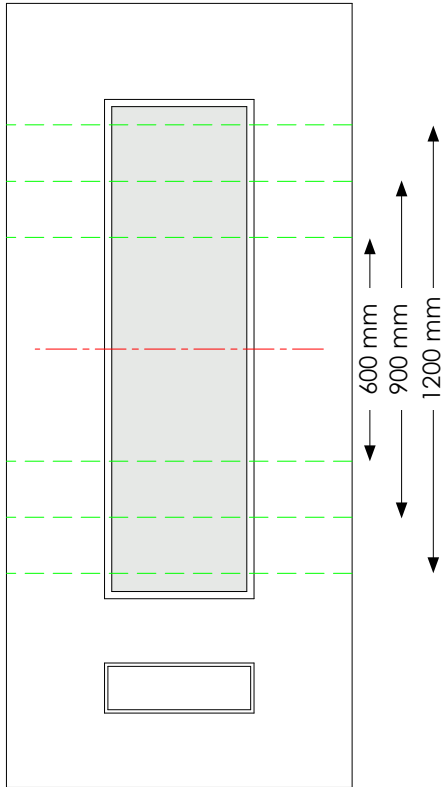
For **52mm** Profile Sash width = Overall Frame Width - **72**



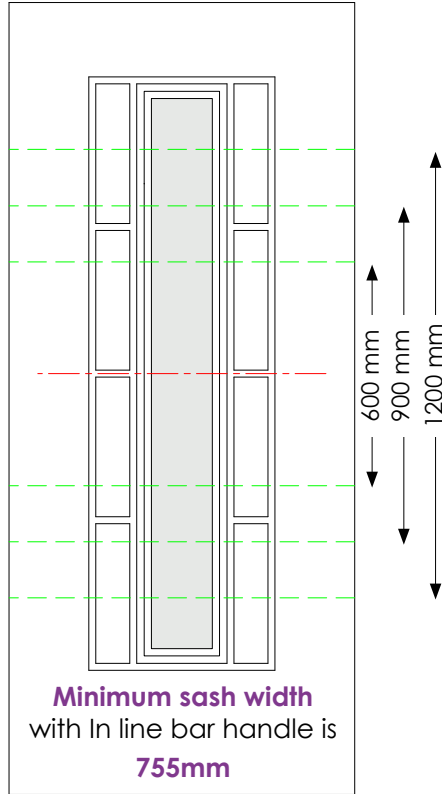
In Line Bar Handle

600mm, 900mm and 1200mm Fitting Position

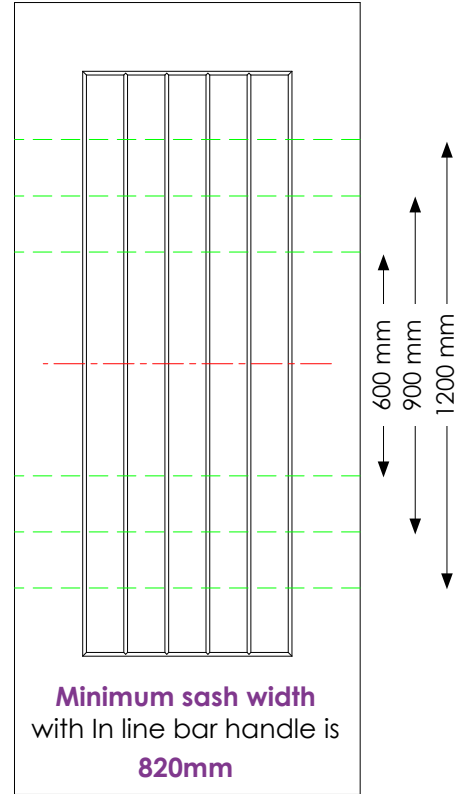
Vogue



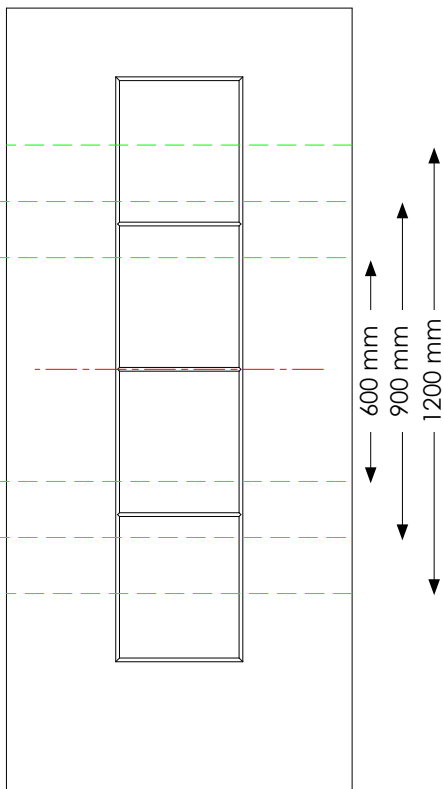
Vermont



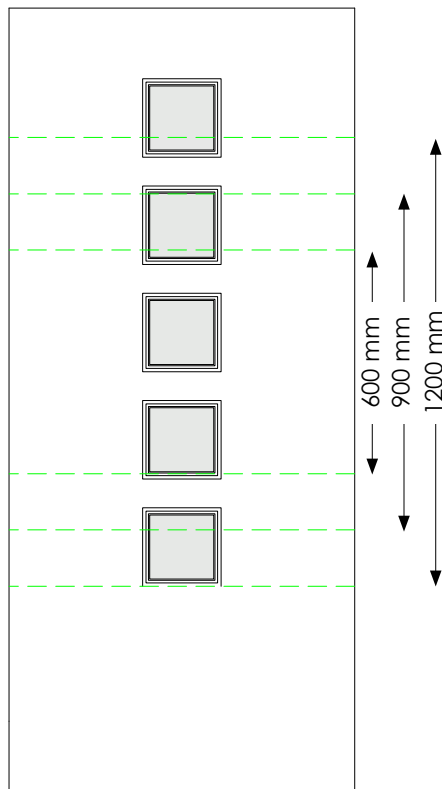
Illinois



Dakota



Manhattan



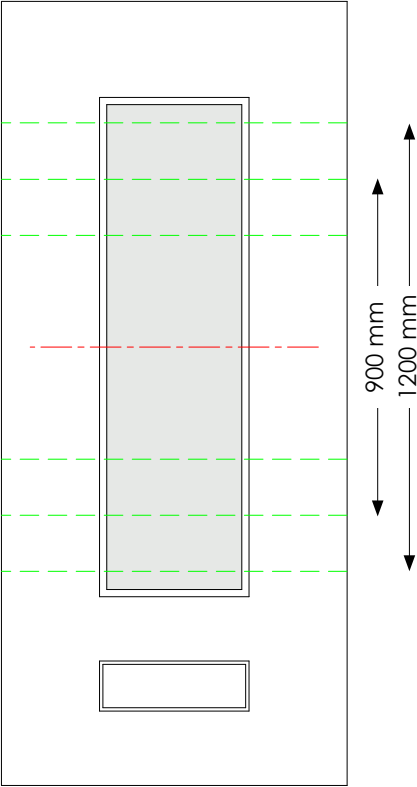
In line bar handles are fitted **115mm** from the edge of the door to the centre of the fixing hole.



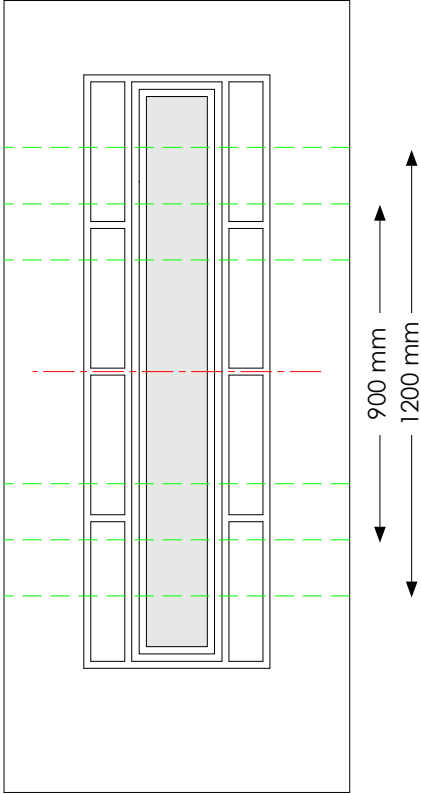
Off Set Bar Handle

900mm and 1200mm Fitting Position

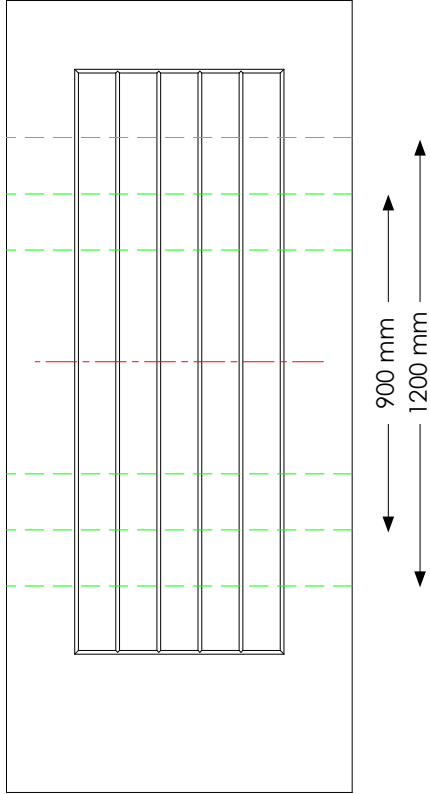
Vogue



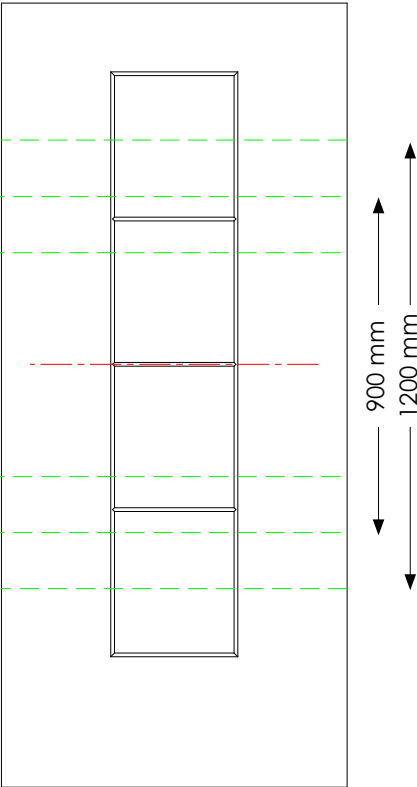
Vermont



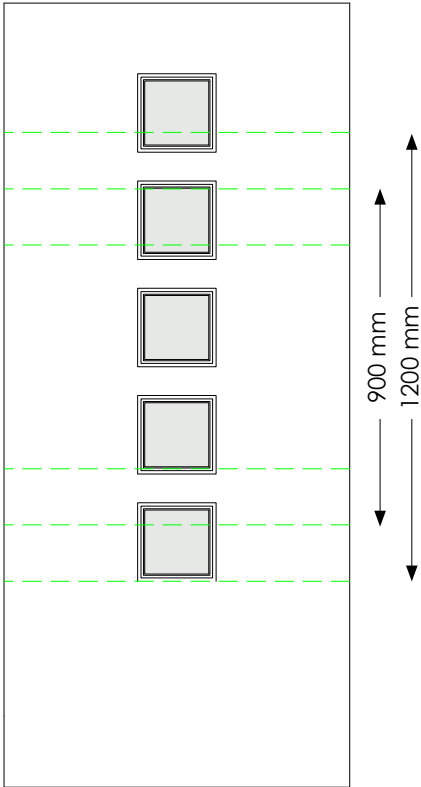
Illinois



Dakota



Manhattan



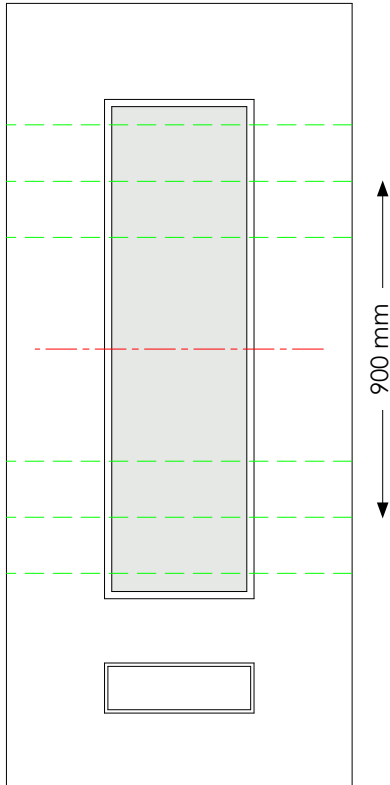
Off set bar handles are fitted **45mm** from the edge of the door to the centre of the fixing hole.



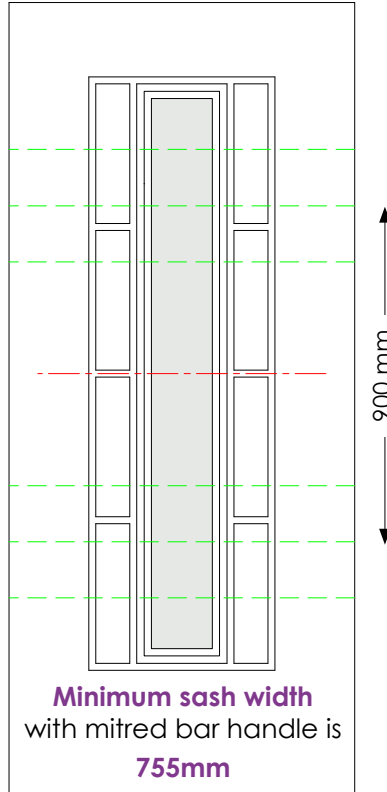
Mitred Bar Handle

900mm Fitting Position

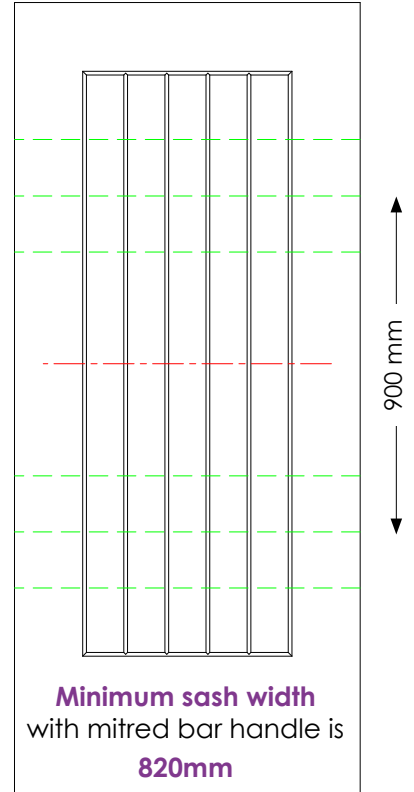
Vogue



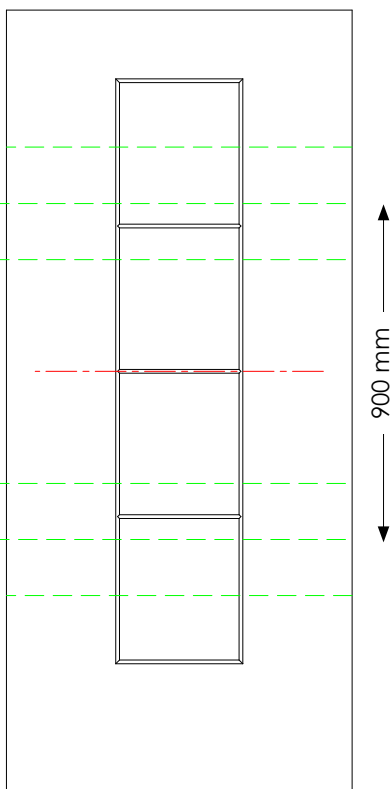
Vermont



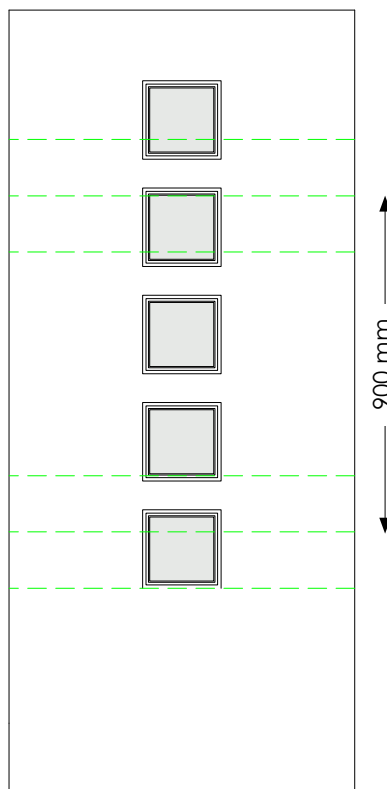
Illinois



Dakota



Manhattan



Mitred bar handles
are fitted **115mm** from
the edge of the door
to the centre of the
fixing hole.

Square Bar 1200mm / Square Bar 900mm

SIZE:1200 Bar Handle

A=1200mm

B=1000mm

C=100mm

SIZE:900 Bar Handle

A=900mm

B=700mm

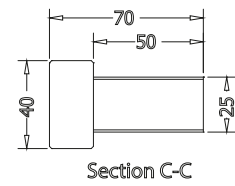
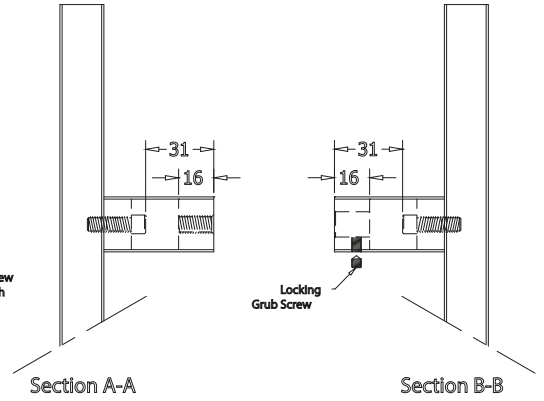
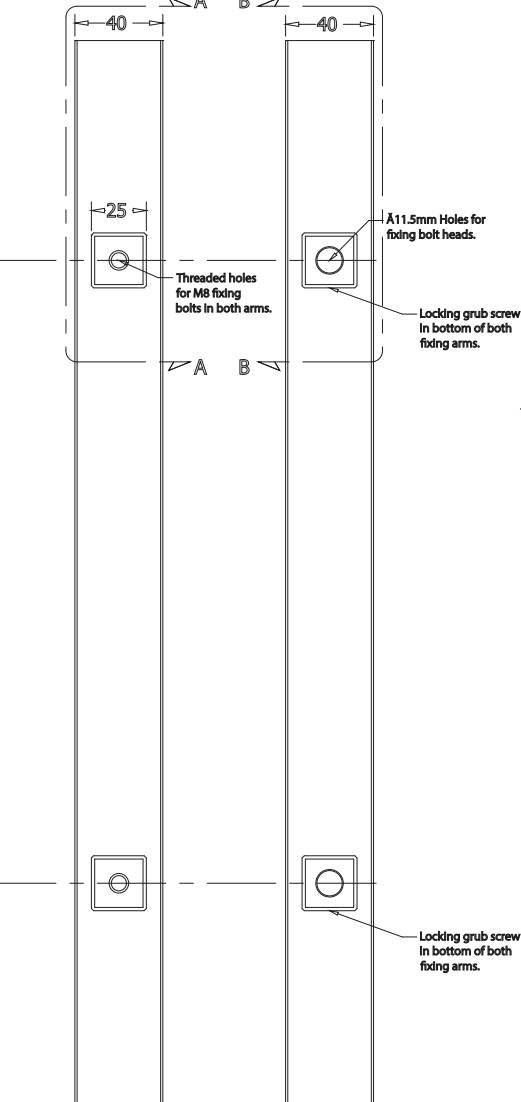
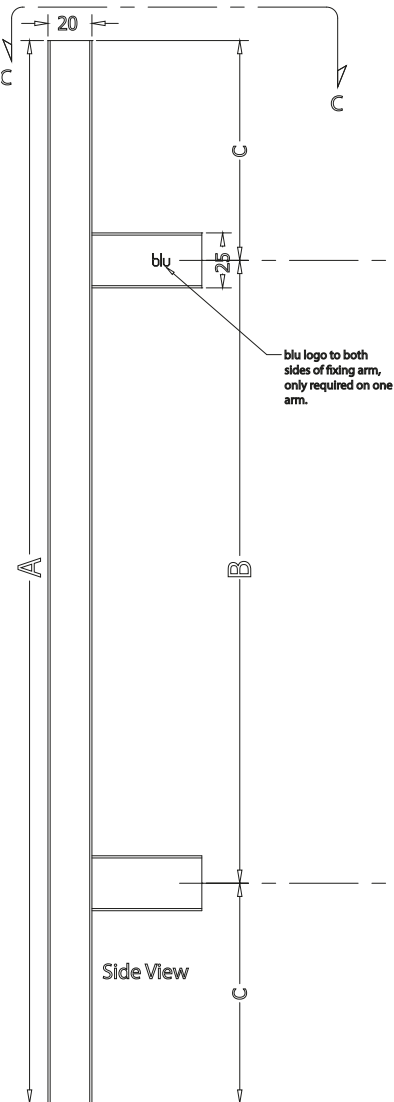
C=100mm

External Handle

Internal Handle

External Handle

Internal Handle



4 x Glass Protector Pads
Not Required on Timber Doors

4 x Metal Washers

1 x 3mm Allen Key

17.5 78 7.8
2 x To suit up to 67mm thick doors.
Stainless Steel Fixing Bolts

Stainless Steel Fixing Bolts

51
Please Note:
The transport fixings that are used are not 316 Stainless Steel and are they are for transportation means only, please discard these fittings and use the stainless steel bolts that are provided in the fixing packs when fixing to door.

Please Note:
The transport fixings that are used are not 316 Stainless Steel and are they are for transportation means only, please discard these fittings and use the stainless steel bolts that are provided in the fixing packs when fixing to door.

Round Bar 600mm, 900mm and 1200mm

SIZE:600mm

A=600mm
B=400mm
C=100mm

SIZE:900mm

A=900mm
B=700mm
C=100mm

SIZE:1200mm

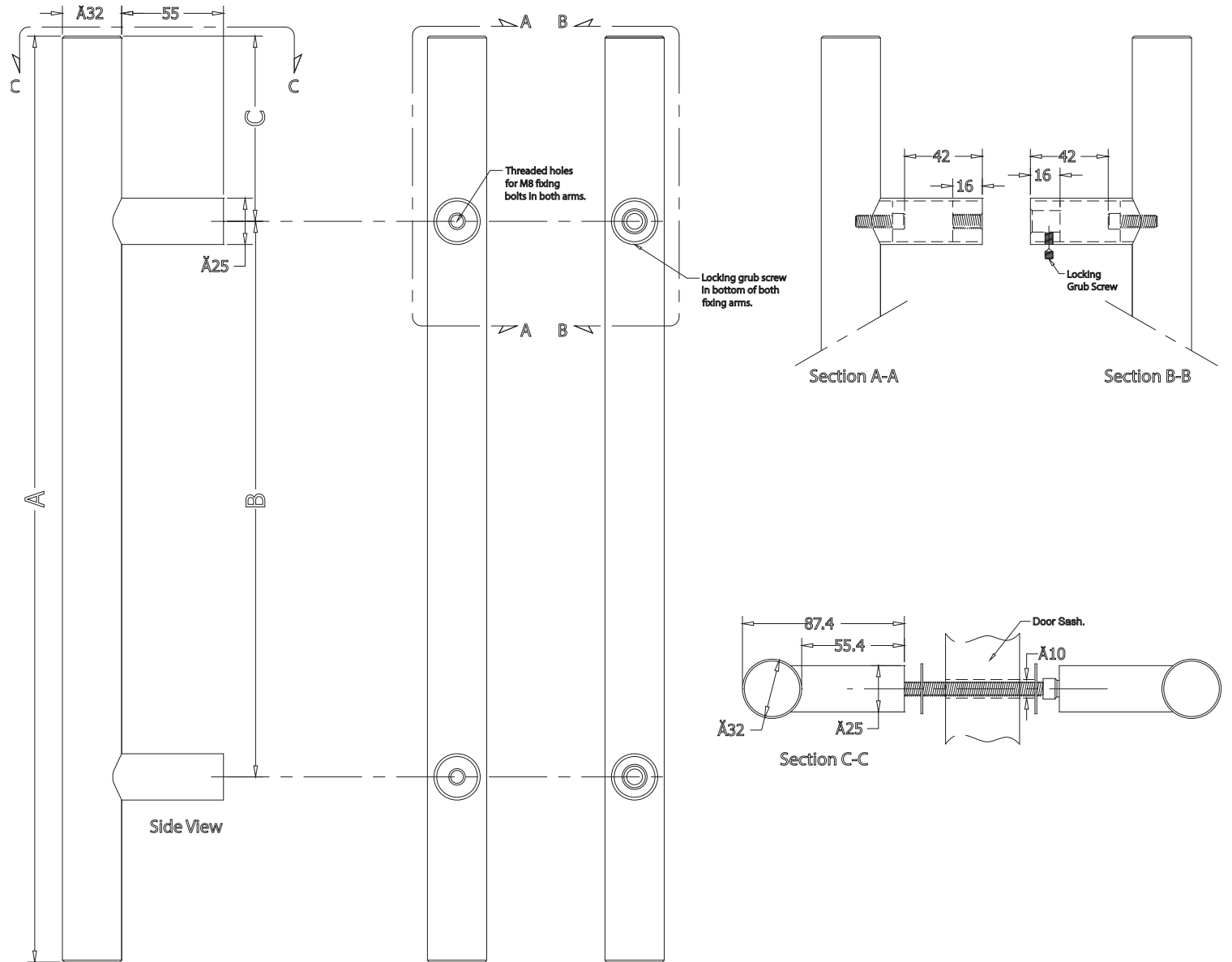
A=1200mm
B=1000mm
C=100mm

External Handle

Internal Handle

External Handle

Internal Handle



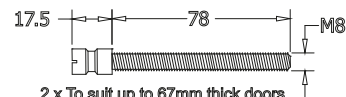
4 x Glass Protector Pads
 Not Required on Timber Doors



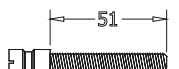
4 x Metal Washers



1 x 3mm Allen Key



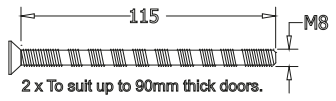
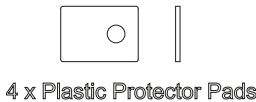
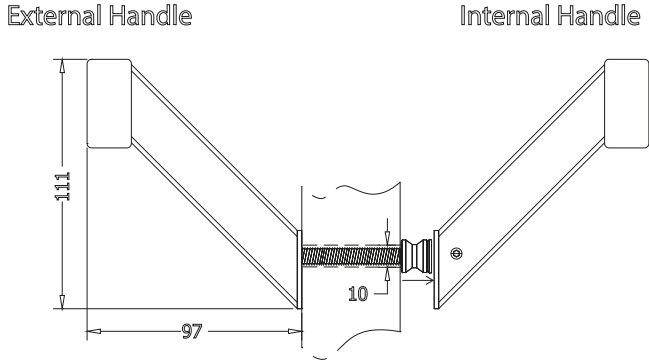
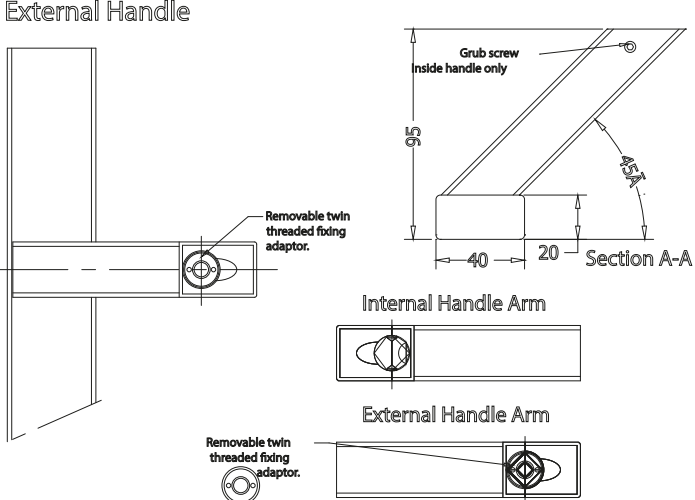
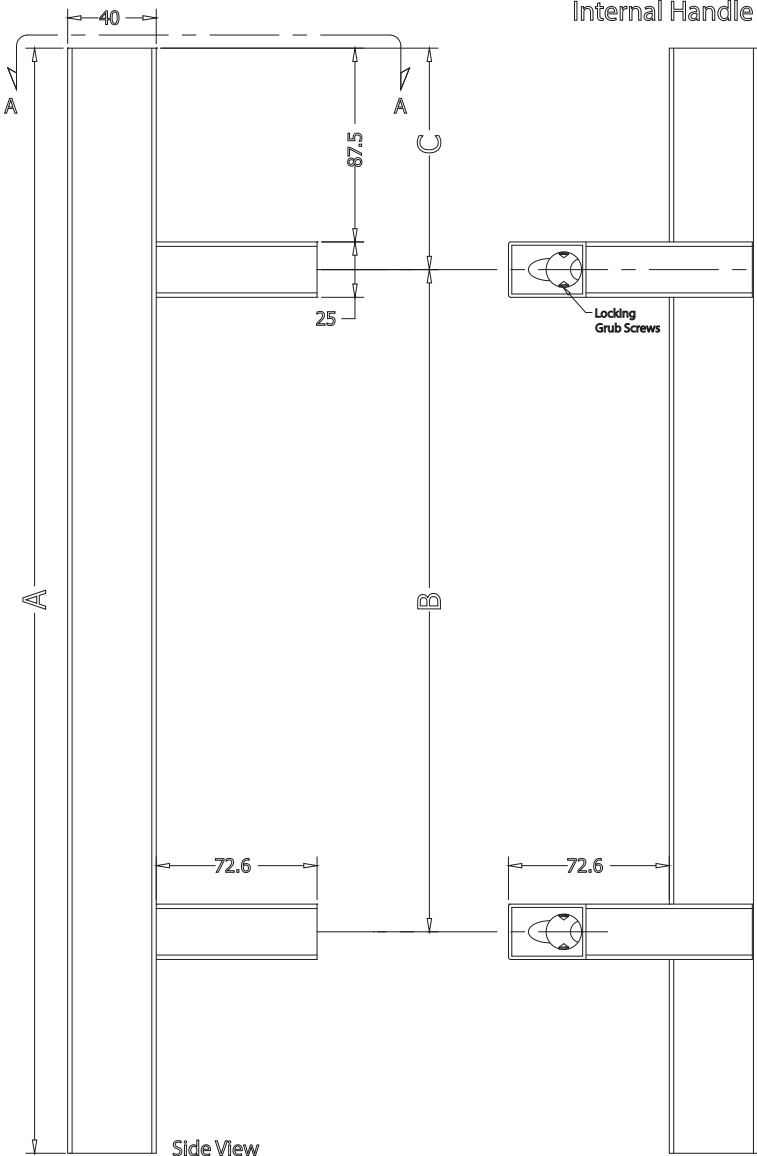
2 x To suit up to 67mm thick doors.
 Stainless Steel Fixing Bolts



Please Note:
 The transport fixings that are used are not 316 Stainless Steel and are they are for transportation means only, please discard these fittings and use the stainless steel bolts that are provided in the fixing packs when fixing to door.

Square Bar 1200mm (Offset)

SIZE:
A=1200mm
B=1000mm
C=100mm



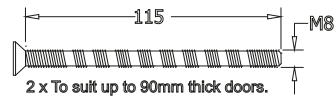
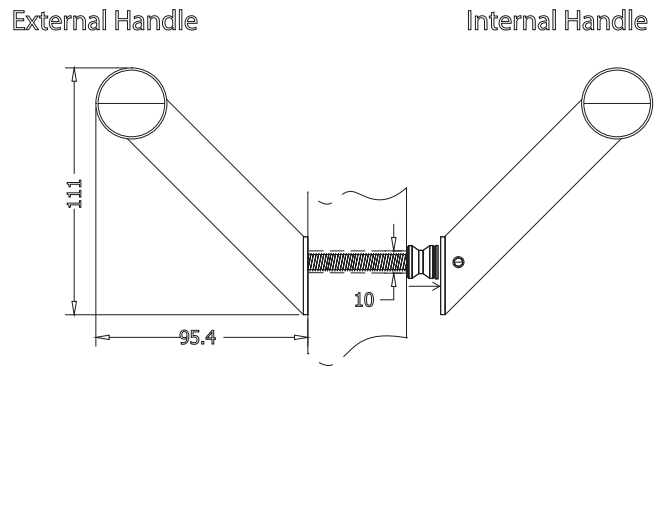
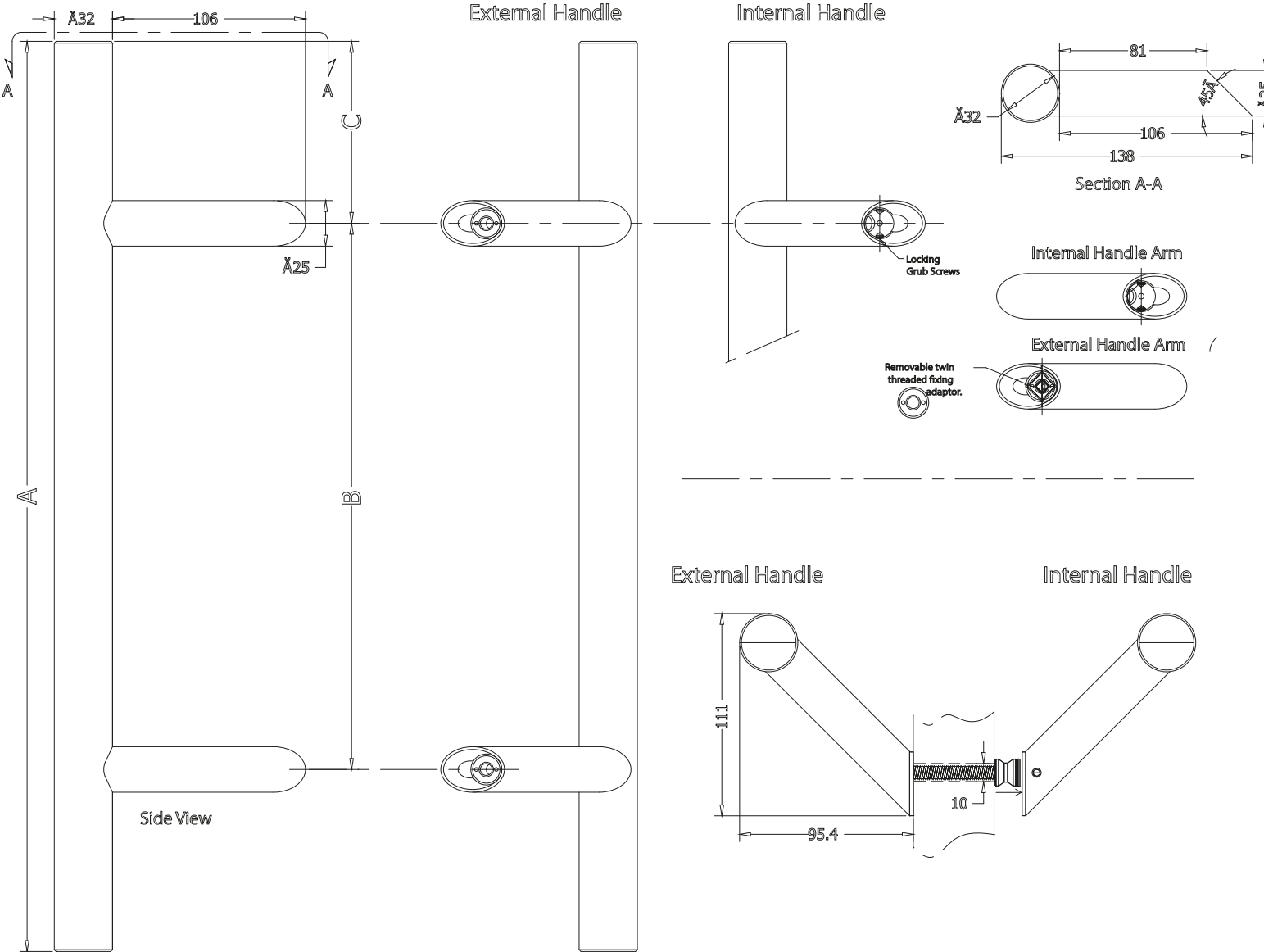
Round Bar 1200mm (Offset)

SIZE:

A=1200mm

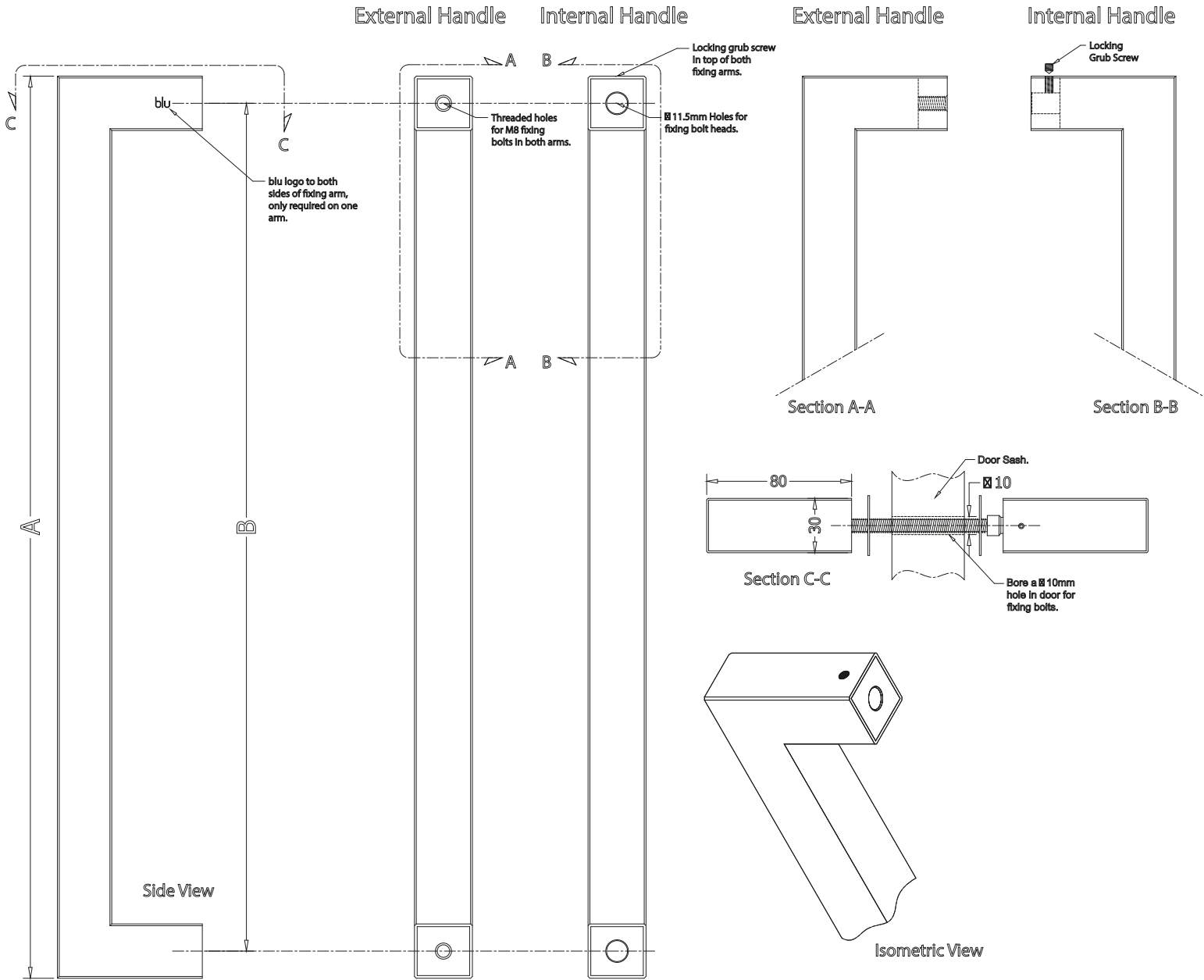
B=1000mm

C=100mm



Mitre Bar 900mm

SIZE:
A=930mm
B= 900mm



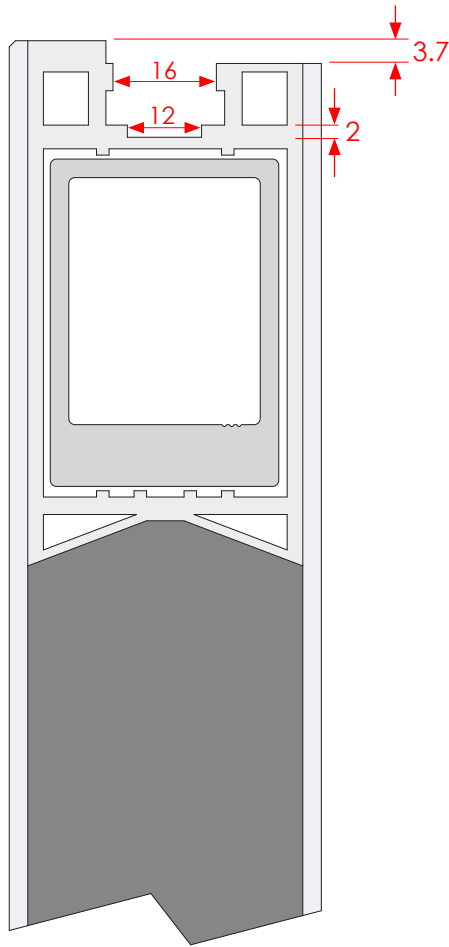
AV-SLDR-A Open Out Restrictor

Door restrictors are designed to provide adjustable limitation to the door movement and allow an opening aperture of maximum 90°.

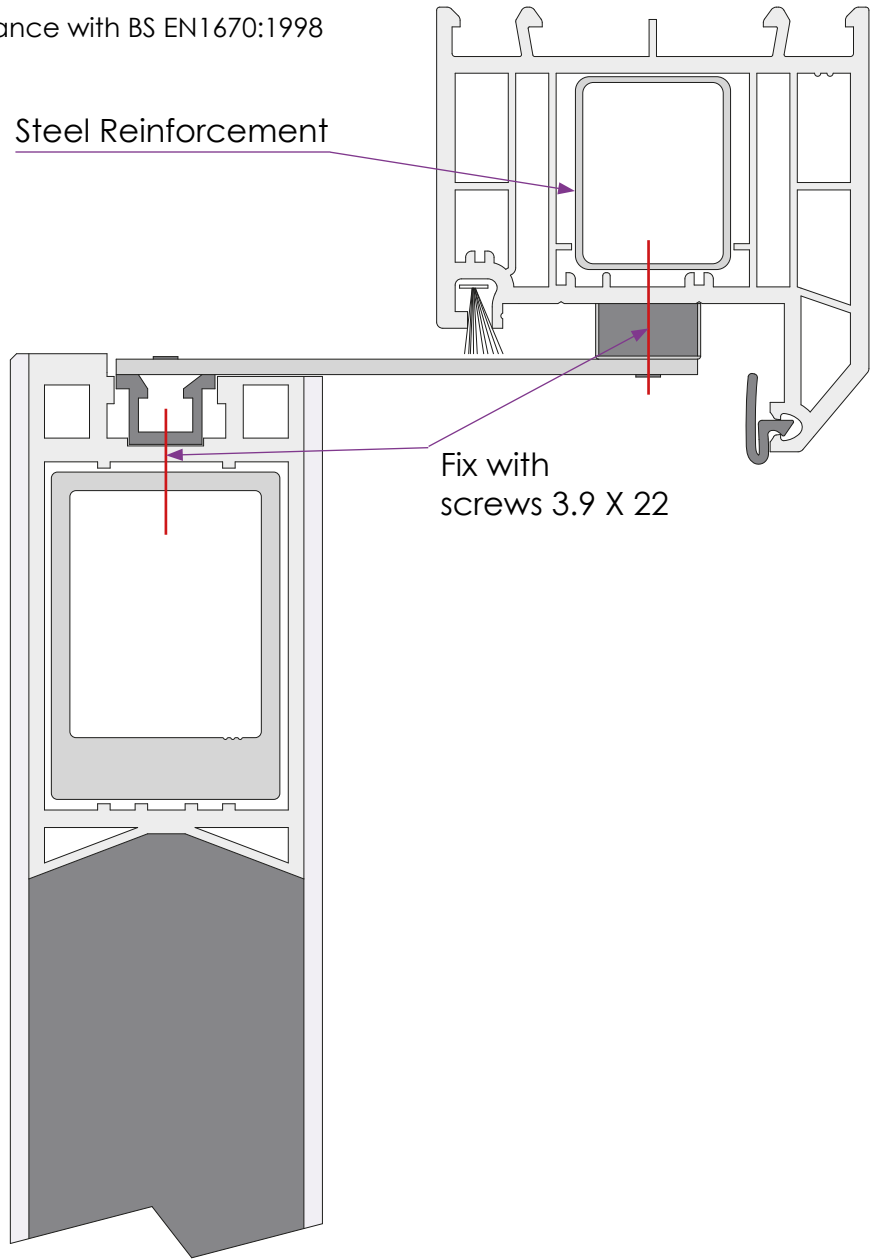
Features and Specifications:

- Tested to 100,000 cycles
- Corrosion resistance Grade 4 in accordance with BS EN1670:1998

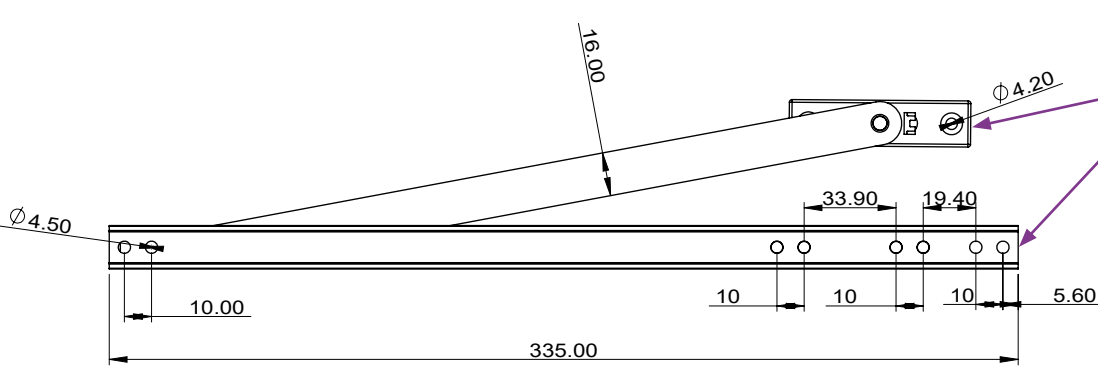
Top edge of door machined off 3.7mm to allow for the restrictor arm.

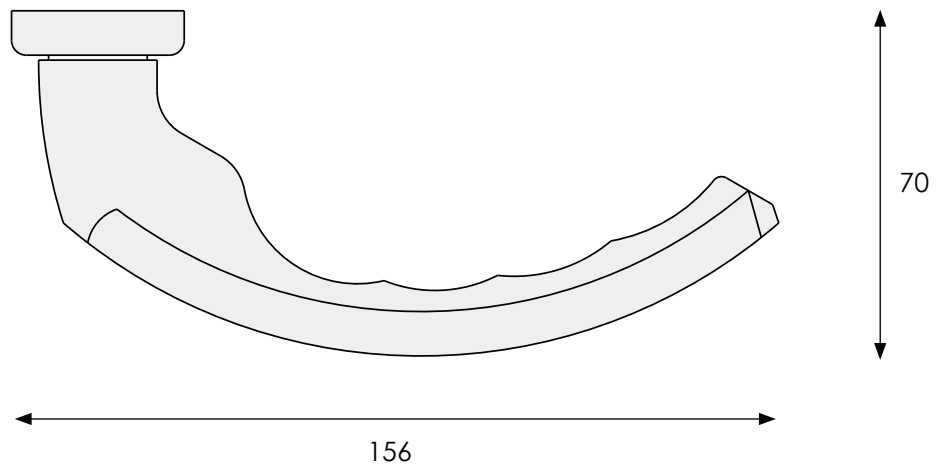
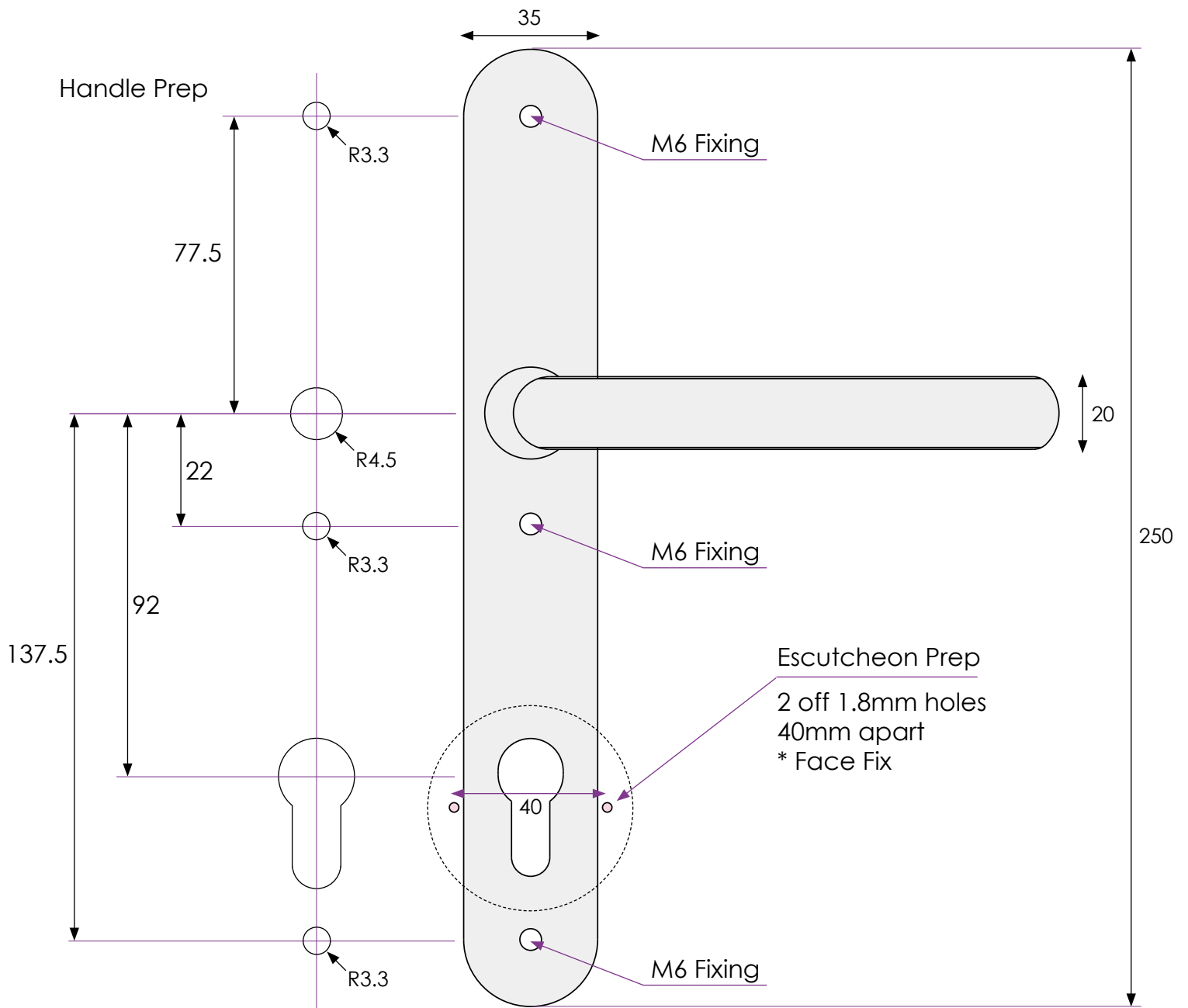


Steel Reinforcement

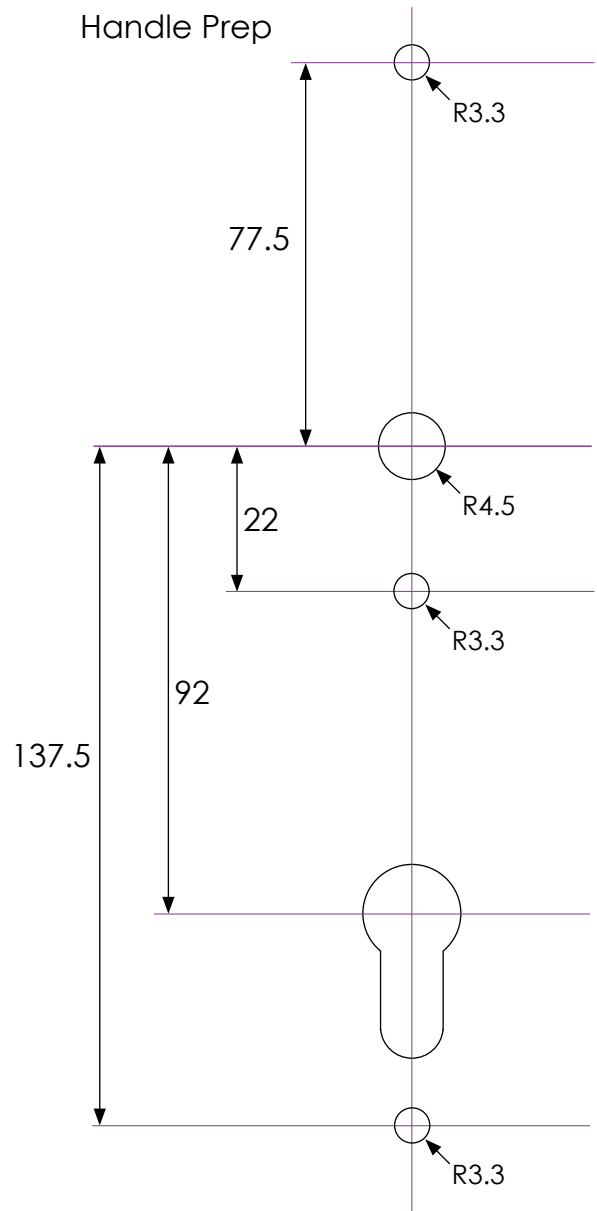
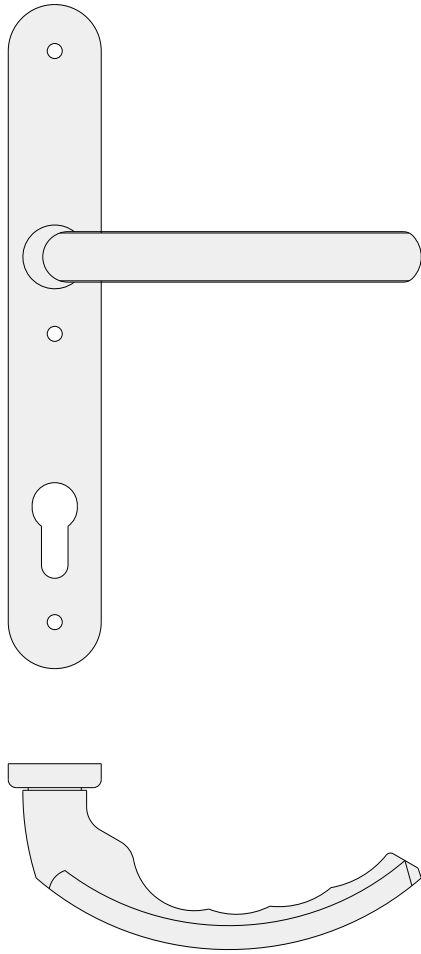


Installed 100mm in from the corner of the frame on the hinge side.

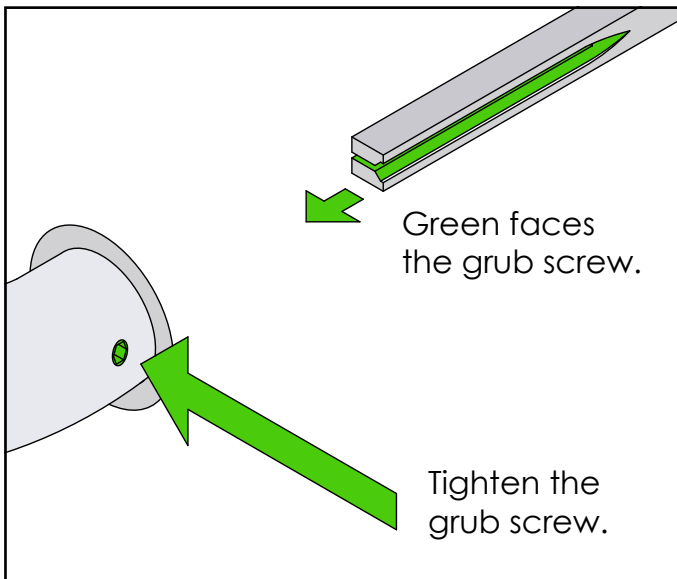




Stainless Steel Handle

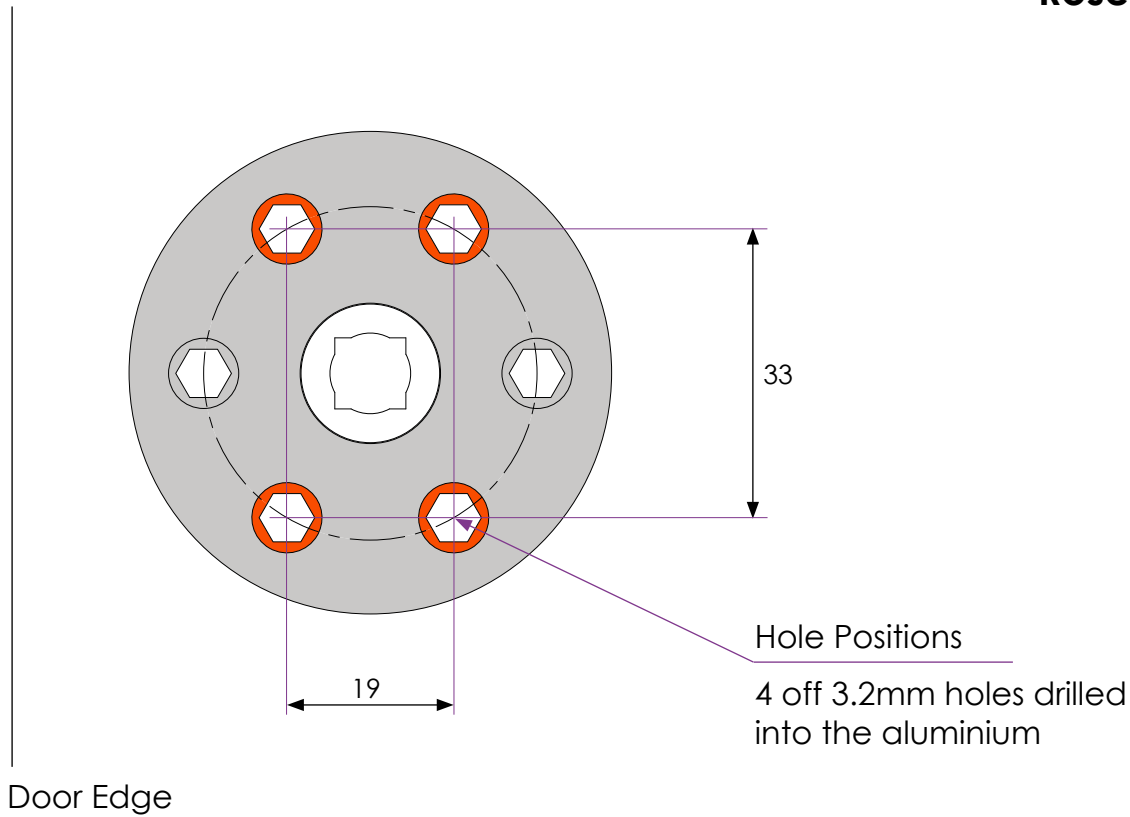


Important fitting Detail



Insert the spindle so the exposed dish (or spindle groove) as shown in green faces the grub screw. Then tighten the grub screw clockwise to 'splay' the spindle and secure the handle in place.

Doing this **external** and **internal** ensures the handles are secured to the spindle.



Hole position Jig



Its important the jig lines up with the spindle hole on the door.



Its important the jig lines up with the spindle hole on the door.



When everything is lined up, place the pin into the jig and spindle hole to lock the position.

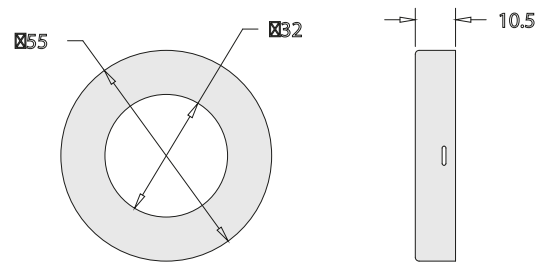
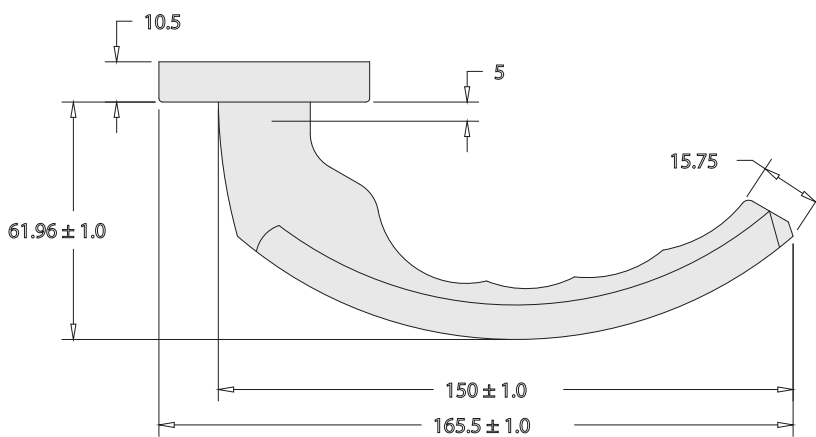
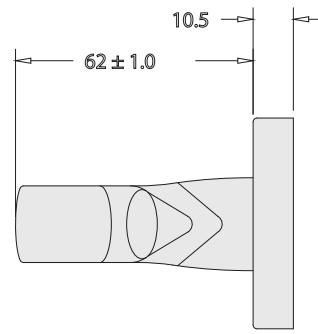
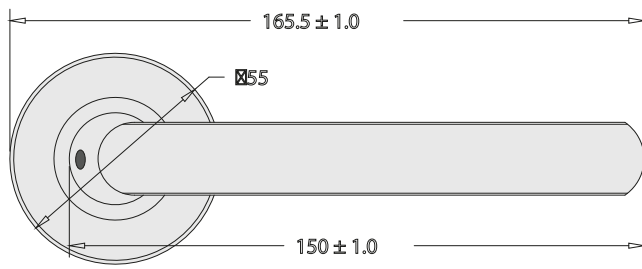


Drill four holes with a 3.2mm drill bit see picture below holding the jig firmly.

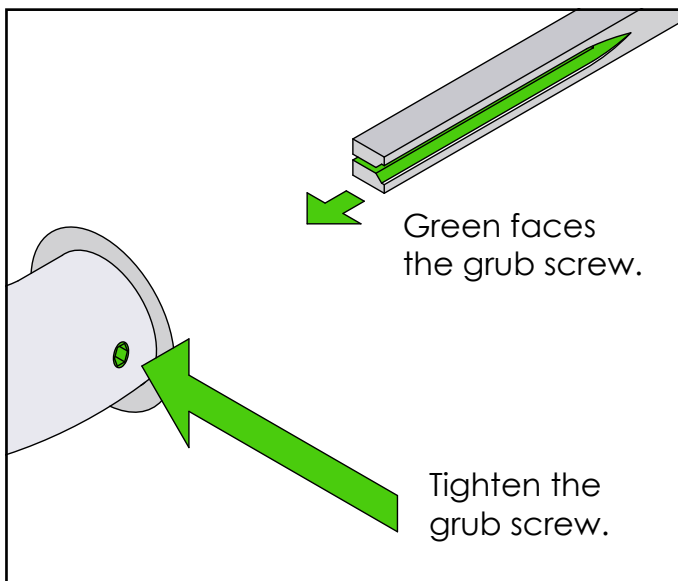


You MUST DRILL INTO THE SKIN AND THE ALUMINIUM REPEAT THE PROCESS ON THE OTHER SIDE OF THE DOOR.

European Rose Handle



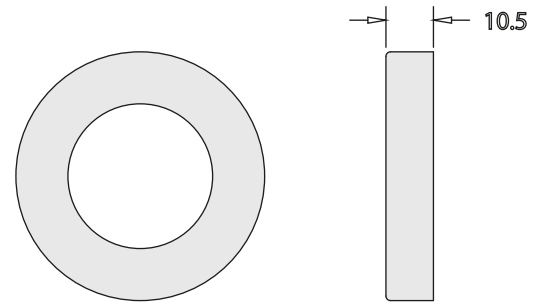
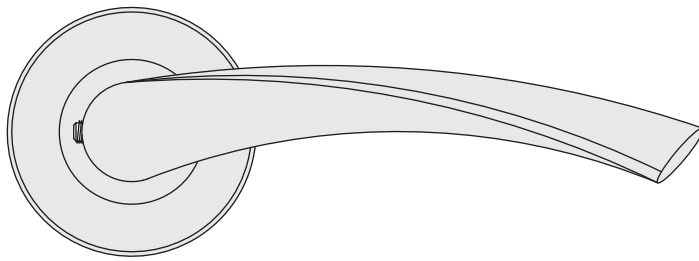
Important fitting Detail



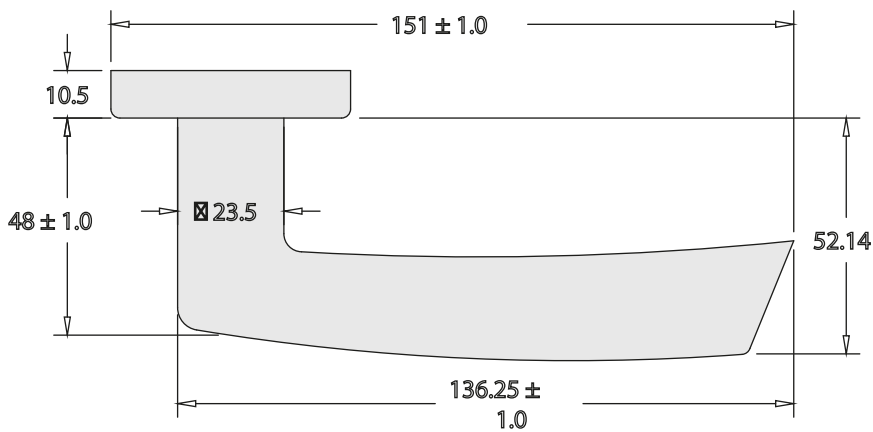
Insert the spindle so the exposed dish (or spindle groove) as shown in green faces the grub screw. Then tighten the grub screw clockwise to 'splay' the spindle and secure the handle in place.

Doing this **external** and **internal** ensures the handles are secured to the spindle.

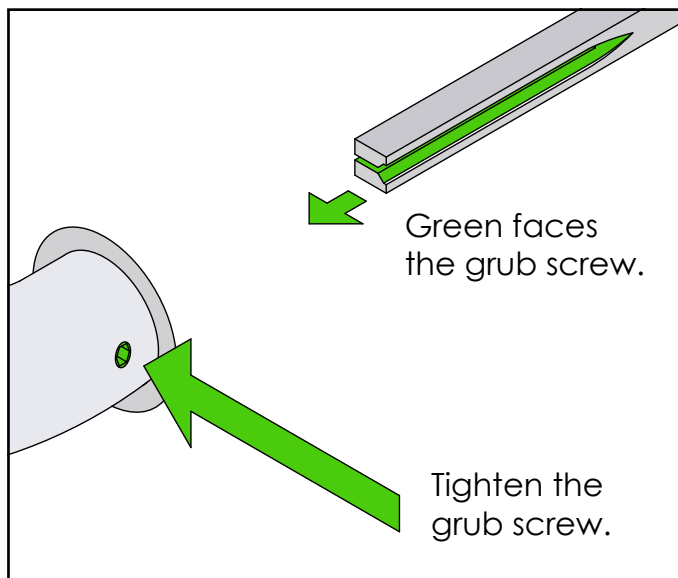
Curved Rose Handle



Cover Plate



Important fitting Detail

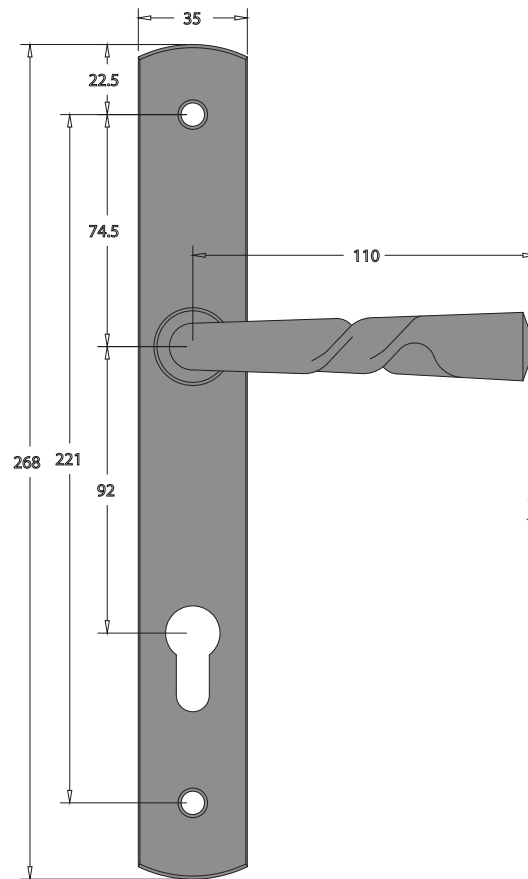
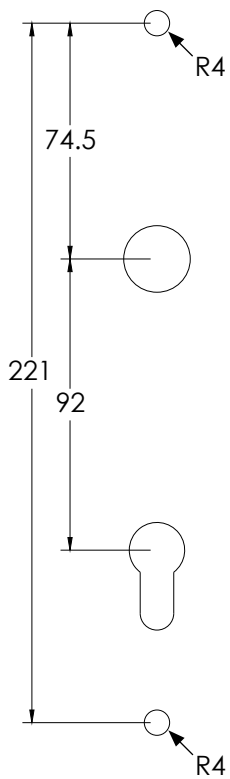


Insert the spindle so the exposed dish (or spindle groove) as shown in green faces the grub screw. Then tighten the grub screw clockwise to 'splay' the spindle and secure the handle in place.

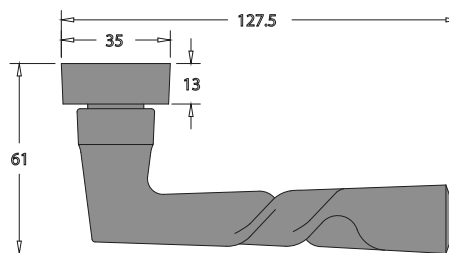
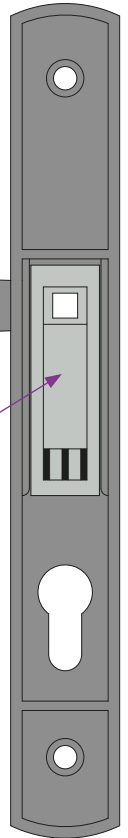
Doing this **external** and **internal** ensures the handles are secured to the spindle.

Twist Lever Handle

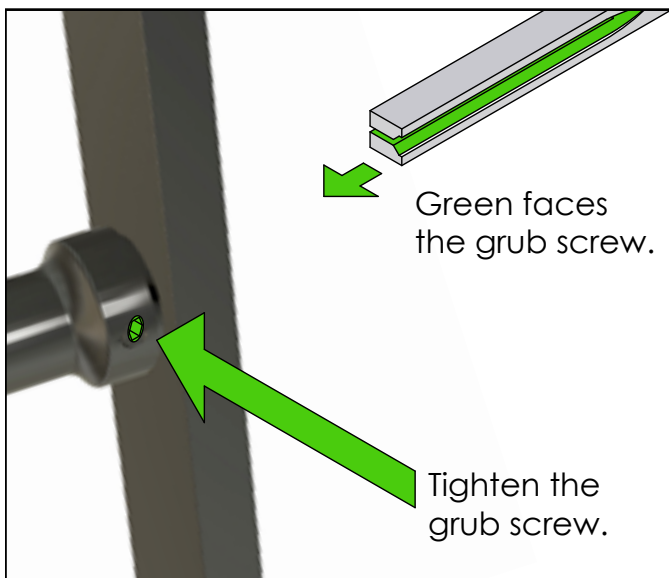
Handle Prep



Spring Cassette



Important fitting Detail

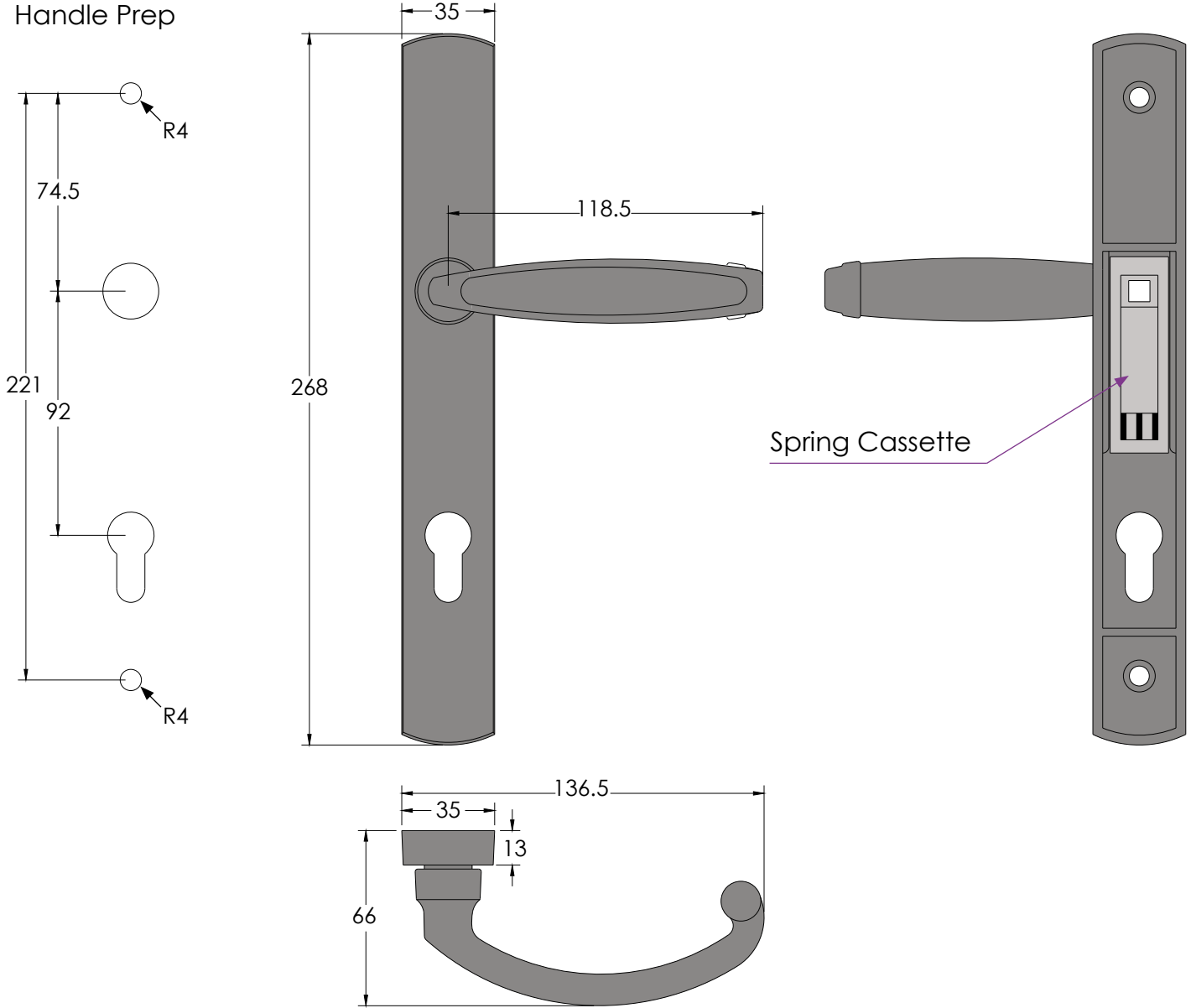


Insert the spindle so the exposed dish (or spindle groove) as shown in green faces the grub screw. Then tighten the grub screw clockwise to 'splay' the spindle and secure the handle in place.

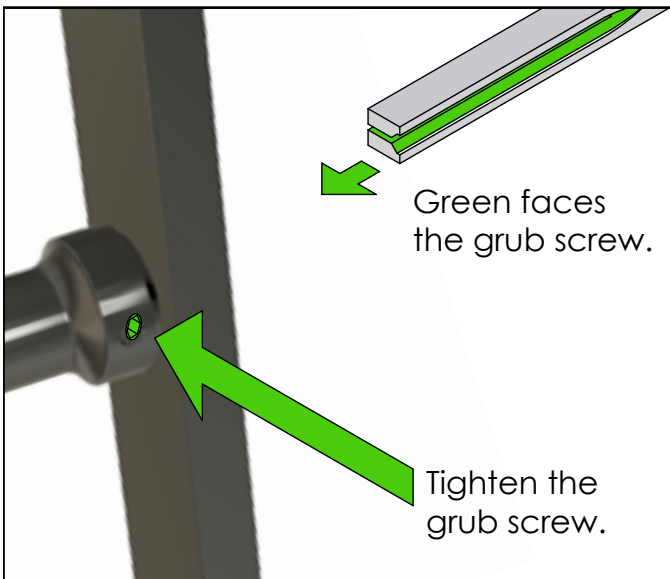
Doing this **external** and **internal** ensures the handles are secured to the spindle.

Arched Lever Handle

Handle Prep



Important fitting Detail

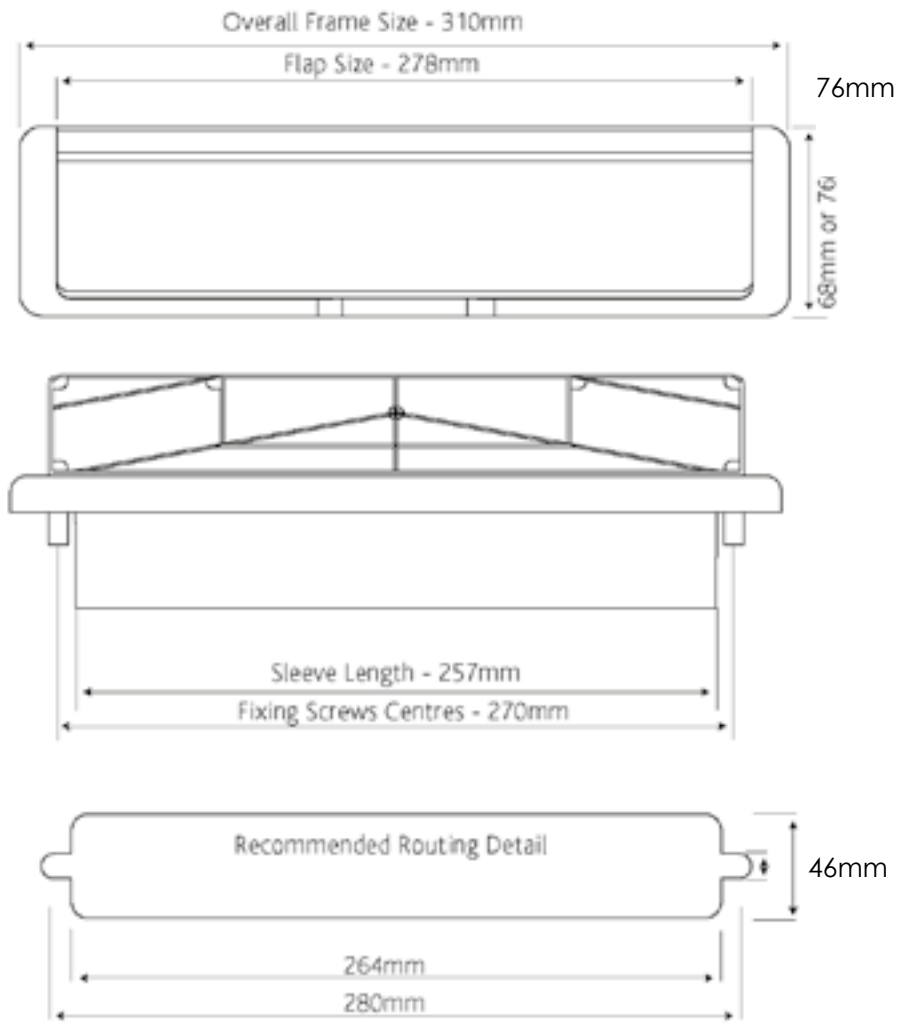


Insert the spindle so the exposed dish (or spindle groove) as shown in green faces the grub screw. Then tighten the grub screw clockwise to 'splay' the spindle and secure the handle in place.

Doing this **external** and **internal** ensures the handles are secured to the spindle.

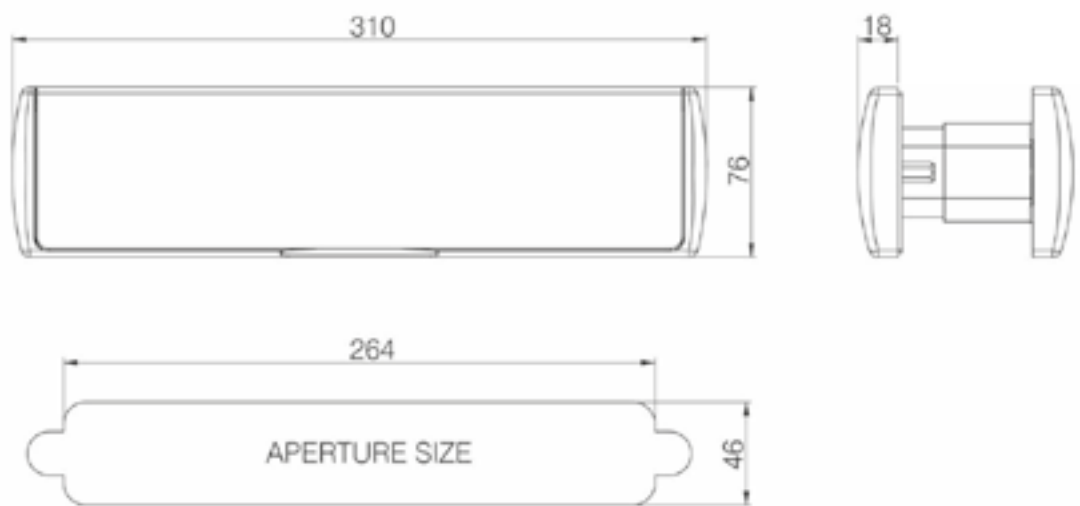
Standard Letterplate

Meets the requirements of BS EN 1670:2007 Grade 5 (480 hours)
 Flap cycle tested to 30,000 cycles Conforms to the requirements of BS EN 13724: 2002
 Zinc construction with hardex coating.



Stainless Steel Letterplate

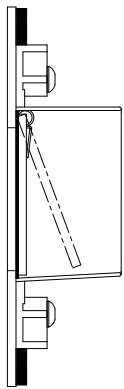
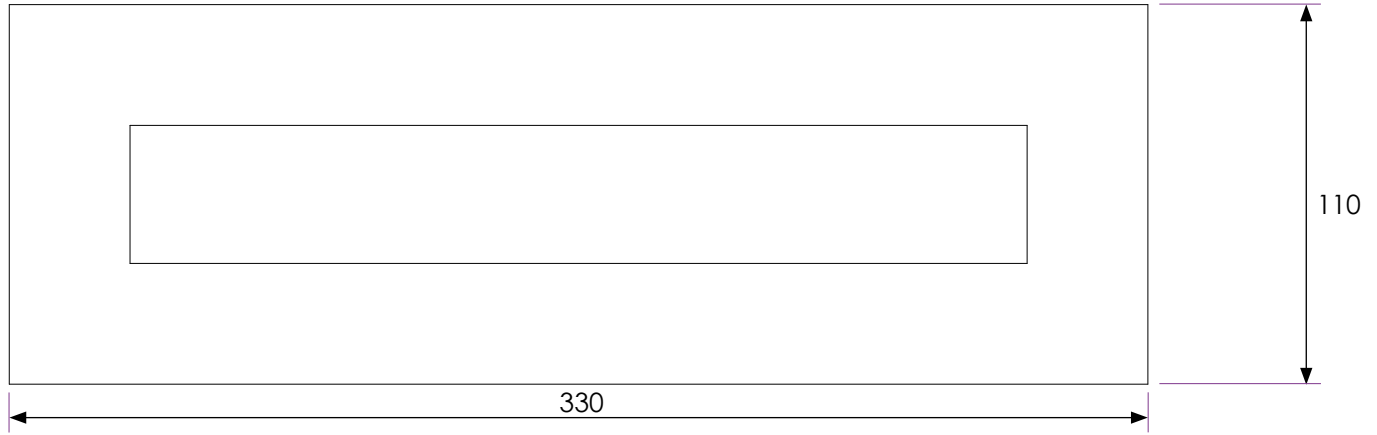
Cycle tested to 20,000 cycles
 Corrosion tested in excess of 1,000 hours based on BS EN 1670
 304 stainless steel construction



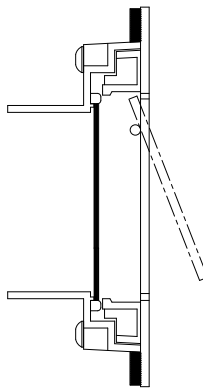


Stainless Steel Contemporary Letterplate

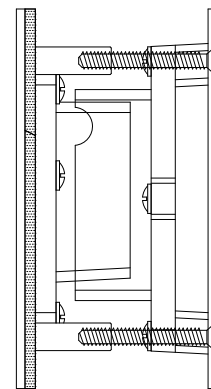
- Achieved 'Best in Class' BS6375-1 Weather Test results against air, wind and water.
Weather Test : Air Permeability: Class 4, Water Tightness: Class A9, Wind Resistance: Class 5
- Integral gaskets, brushes and telescopic liner for enhanced weather and draught protection.
- Built-in inner security flap helps prevent 'fishing'.
- Manufactured from 316 Grade Stainless Steel.
- Ideal for use where corrosion levels are high such as coastal environments.



External



Internal

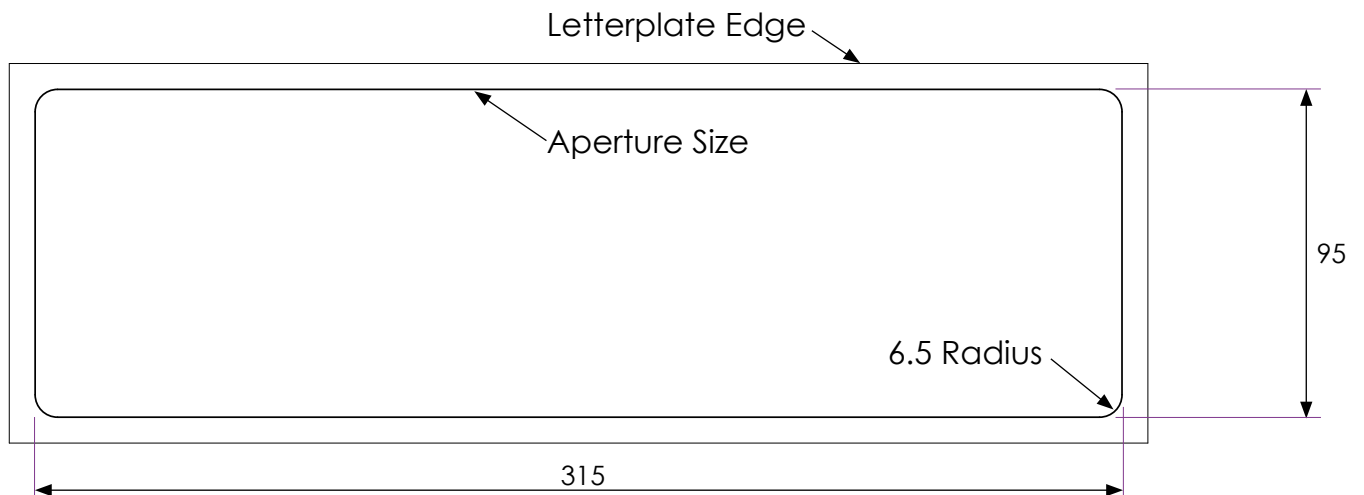


M5 x 50mm



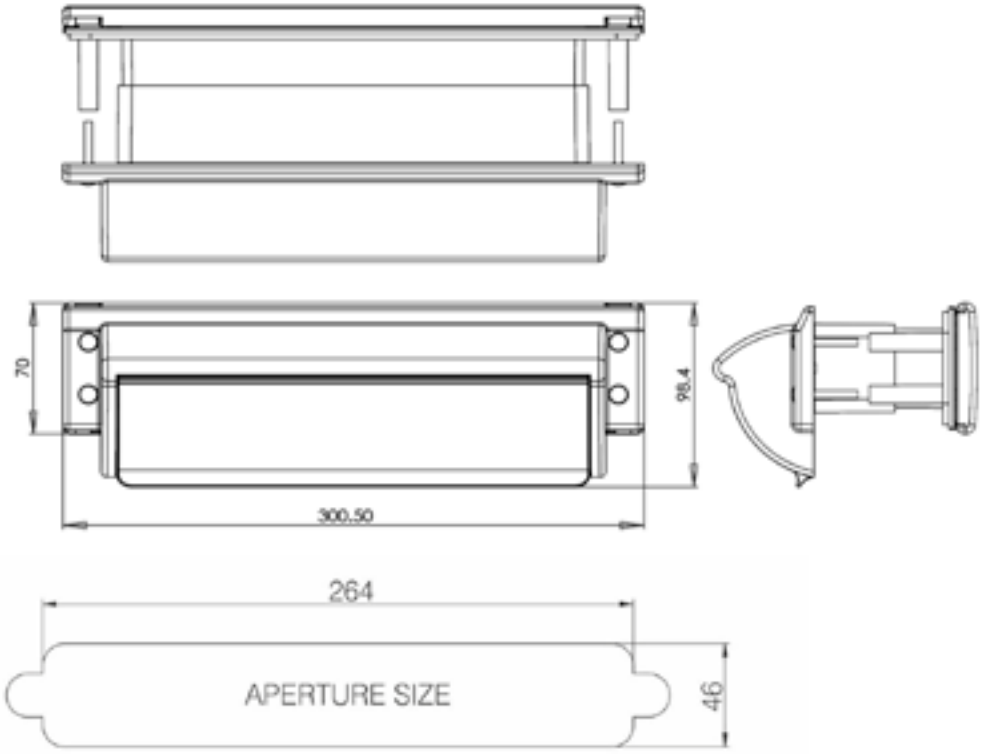
Aperture Detail

Not available under the glass on a Georga, Montana or Newark.



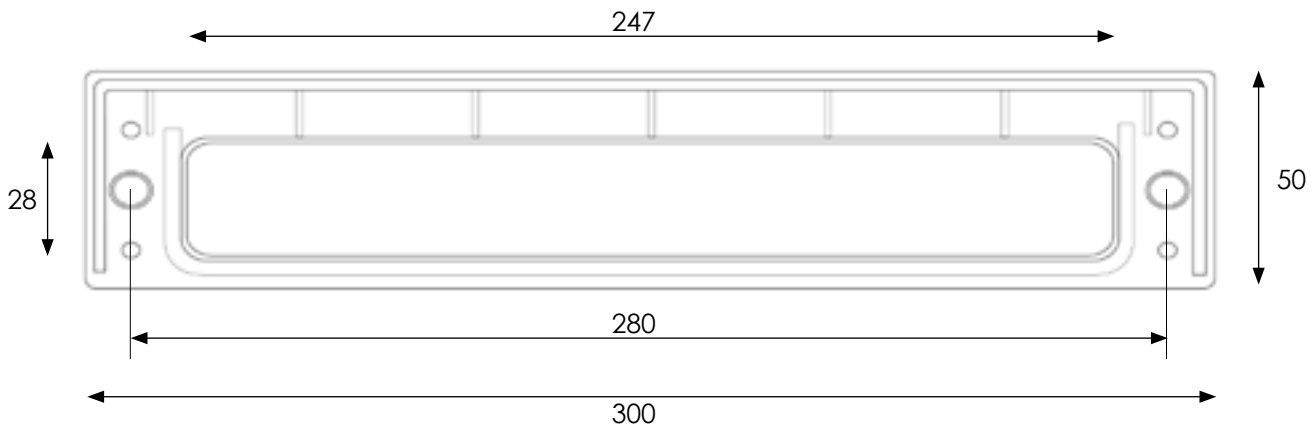
TS008 Letterplate

Cycle tested to 20,000 cycles
Corrosion tested in excess of 1,000 hours based on BS EN 1670
White PVC-U internal
304 stainless steel construction external
Concealed hinge mechanism for attack resistance



Sideframe Letterplate

180 Opening
Black plastic frame
Aperture size 247mm x 28mm





Hinge

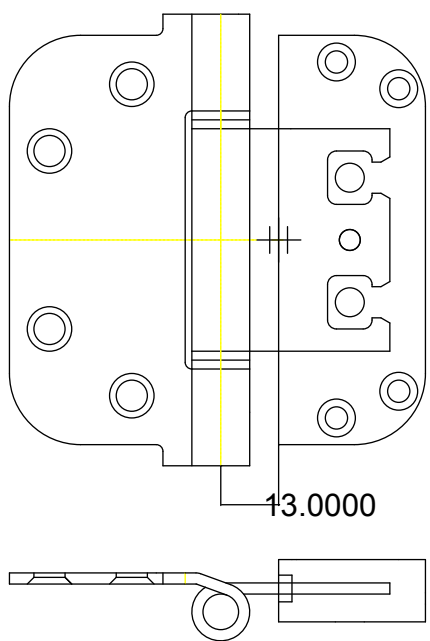
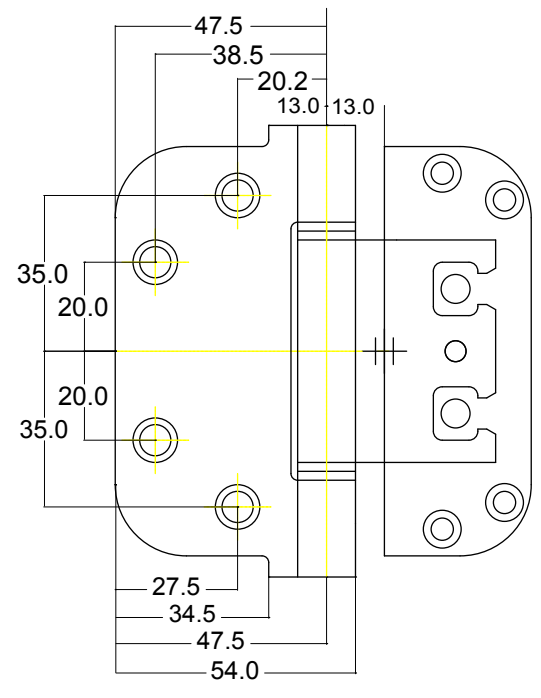
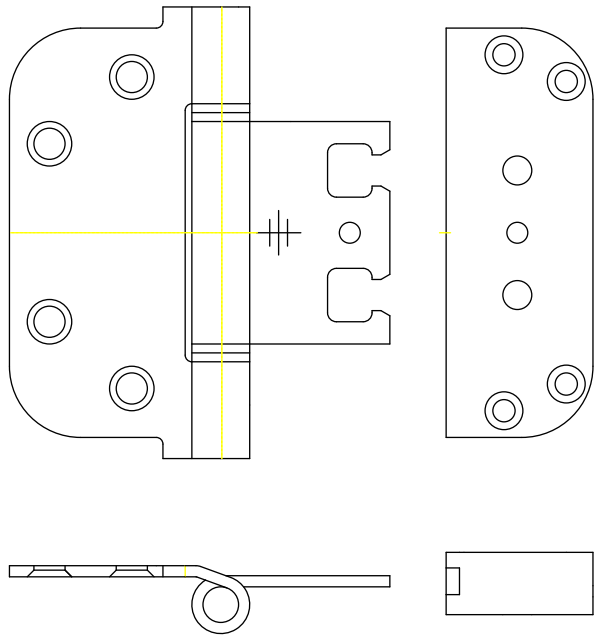
Rockdoor Standard Hinge

Adjustable using a 4mm allen key.

Up/Down +/-3mm

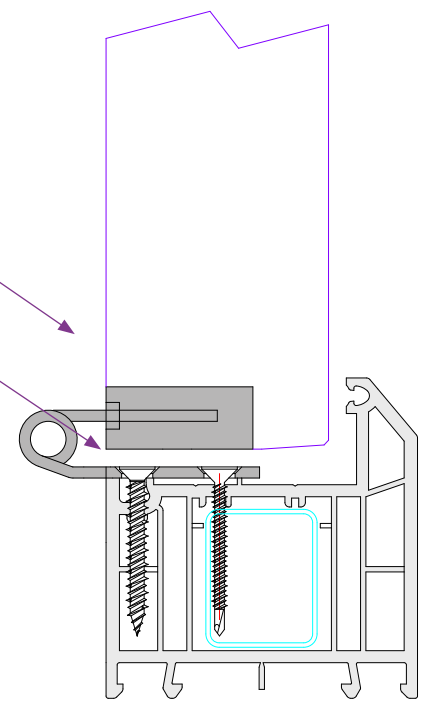
In/Out +/-2mm

Left/Right +/-2mm



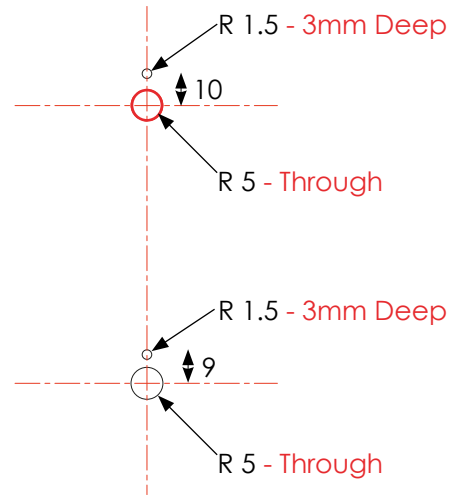
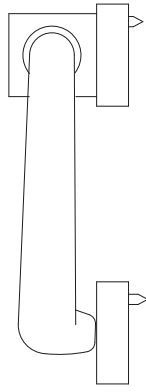
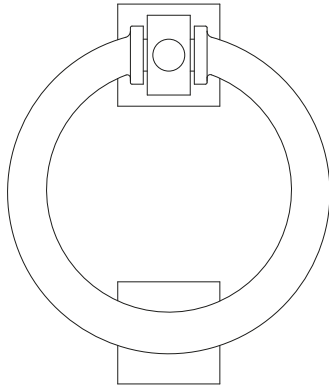
Door and frame sit flush.

4mm Air gap

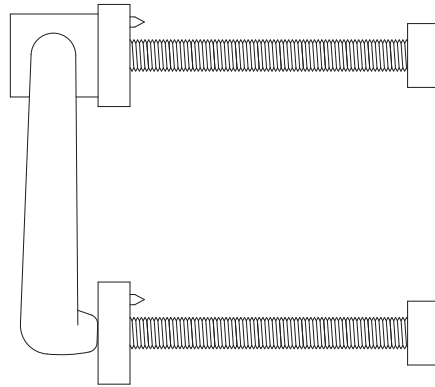


Bull Ring Knocker

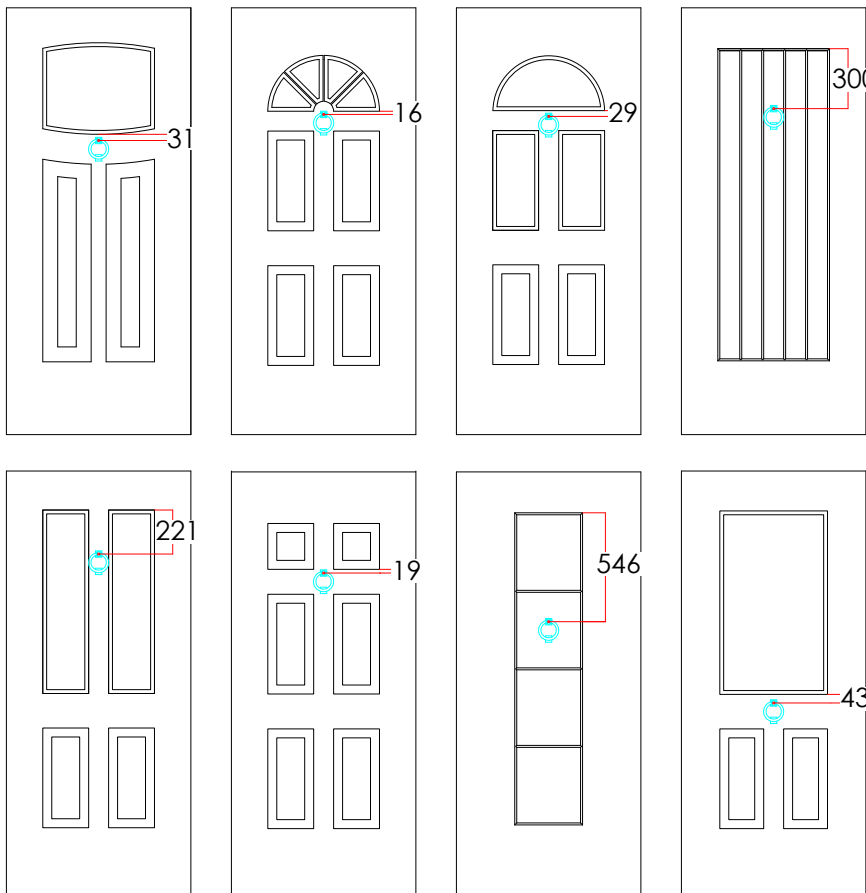
Stainless Steel Bull Ring Knocker



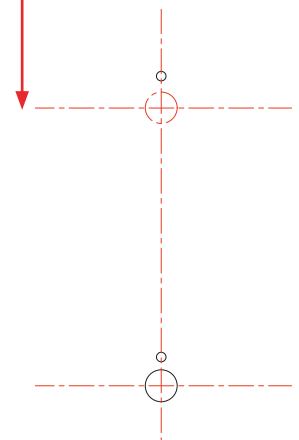
Bolt through fixing



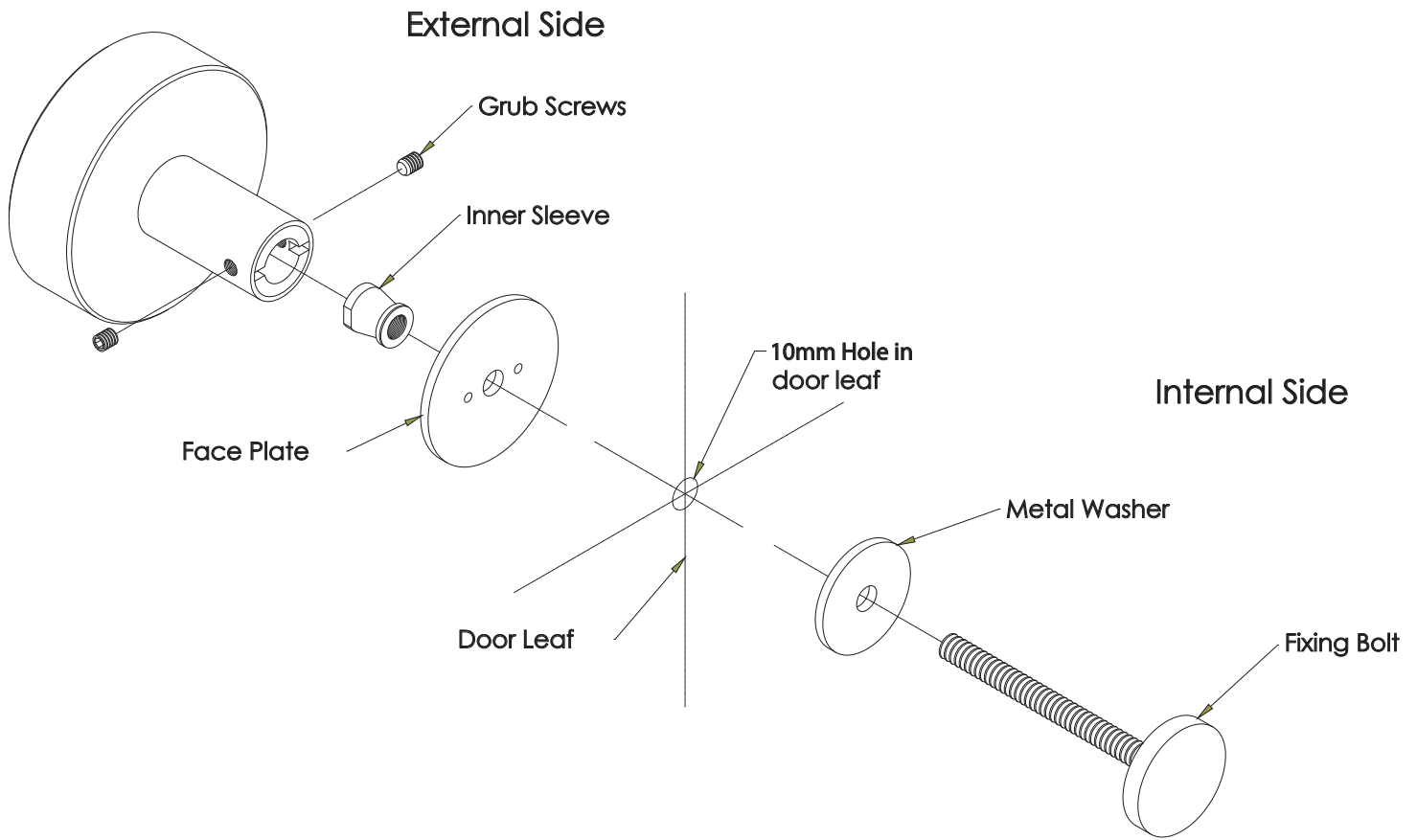
Fitting Positions



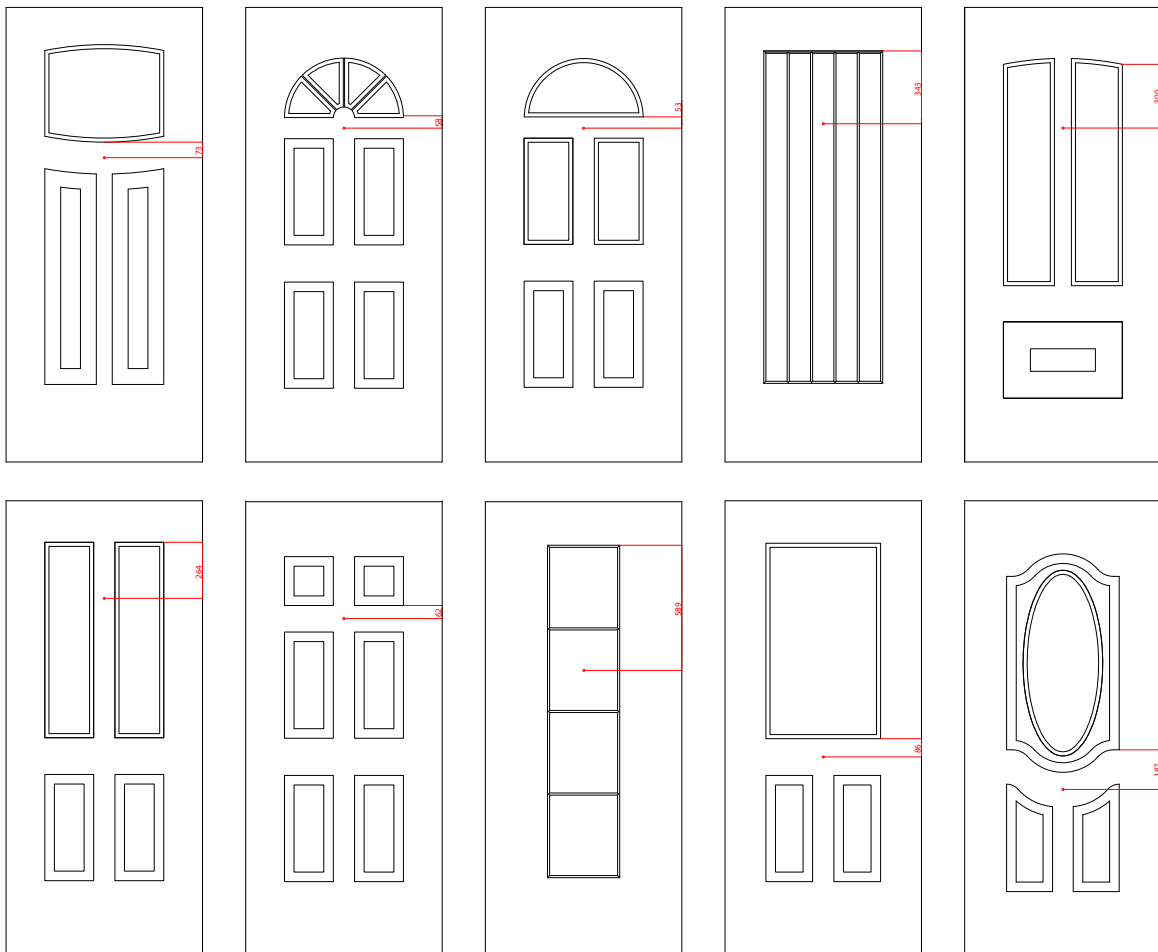
All measurements are taken from the moulding to the centre line of the top hole.



Stainless Steel Knob



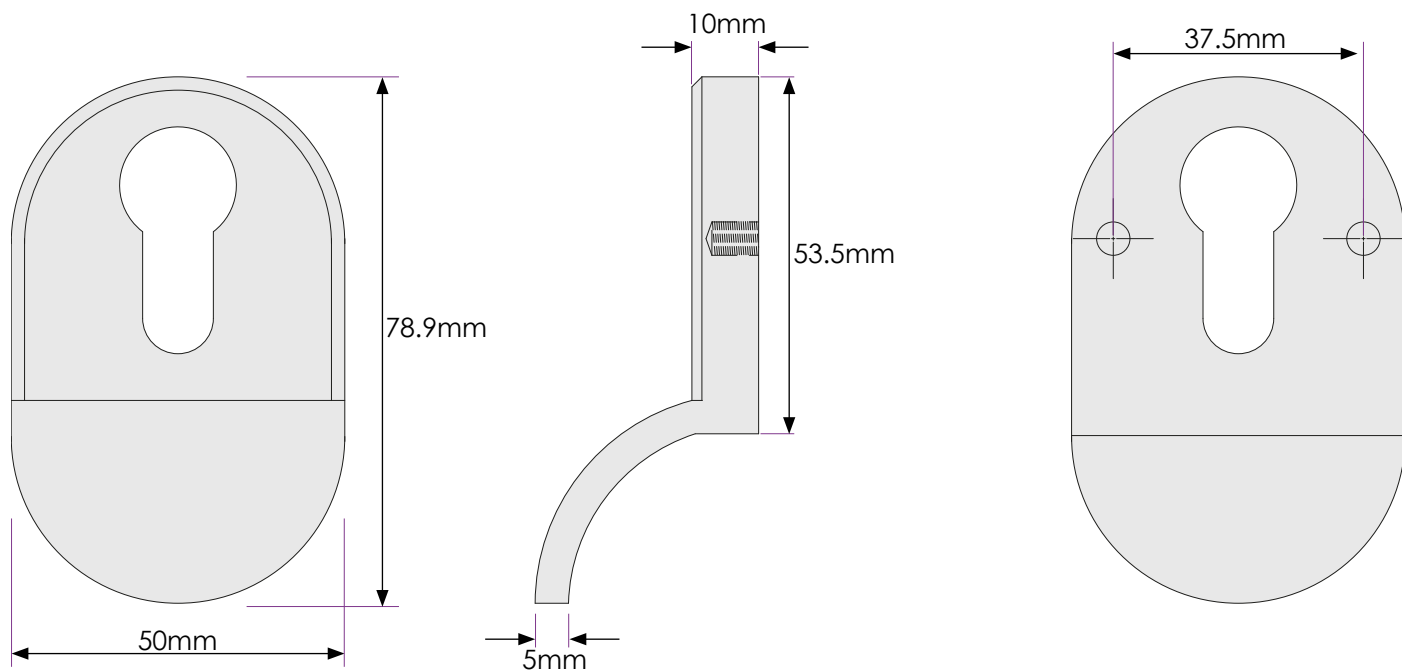
Fitting Positions 10mm Diameter Hole



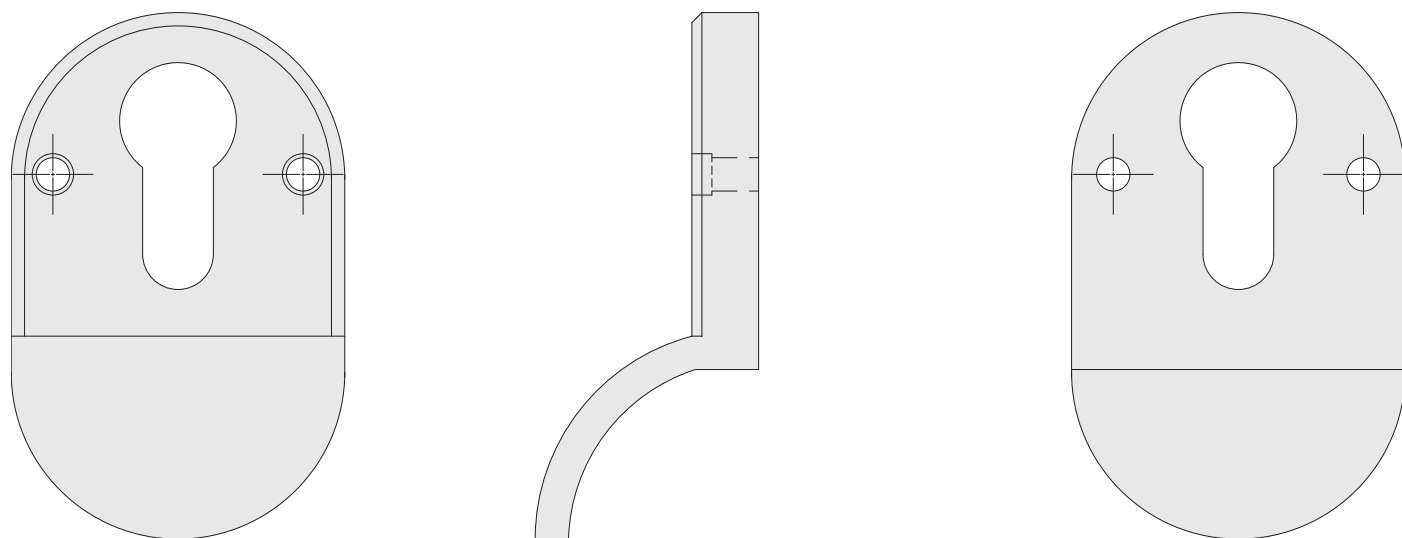


Stainless Steel Door Pull

Internal

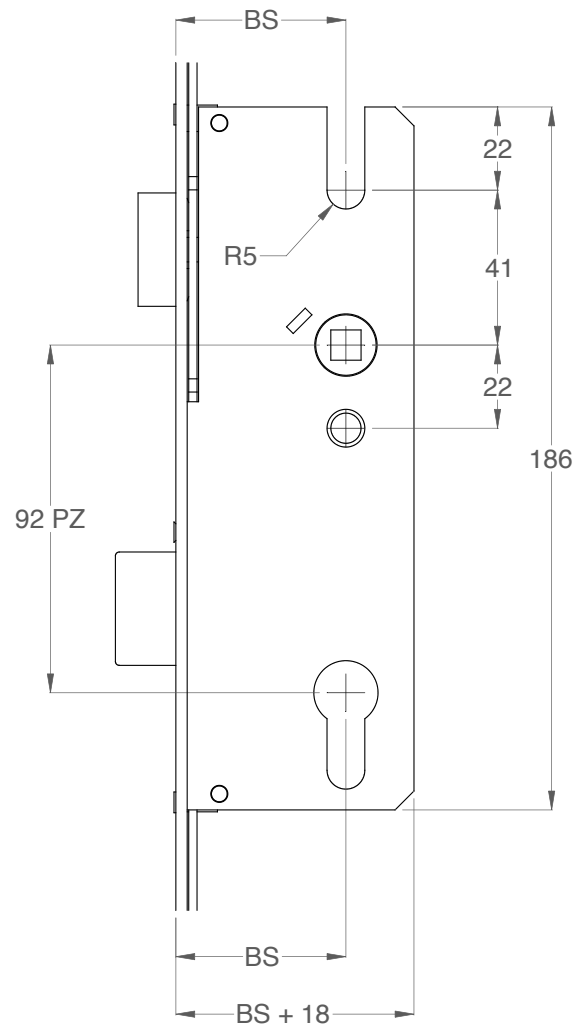
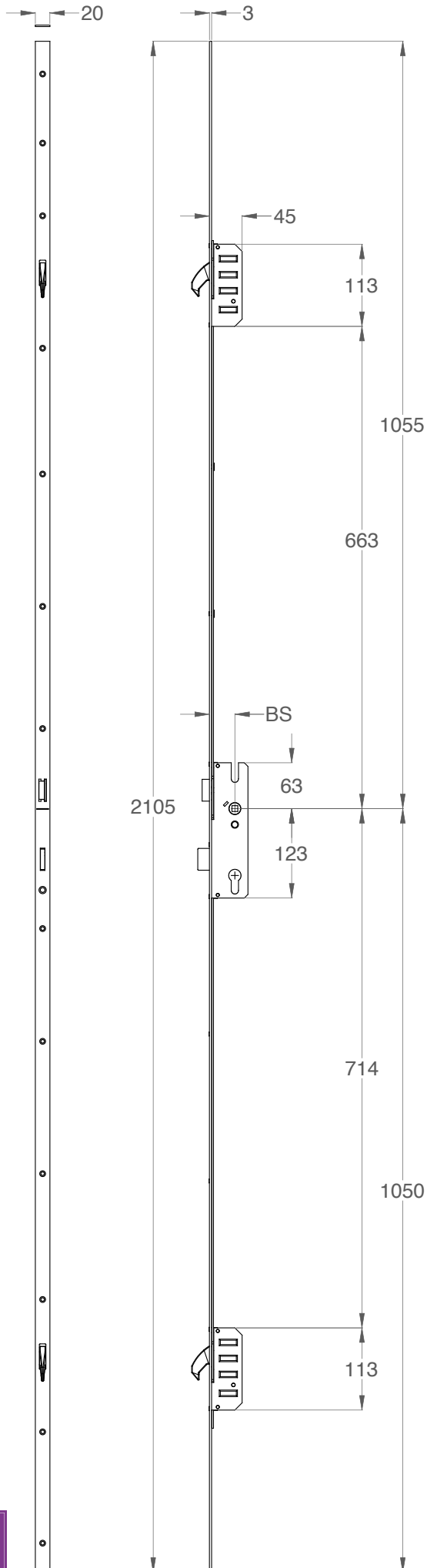


External



Hex Socket Cap Fixings x 2





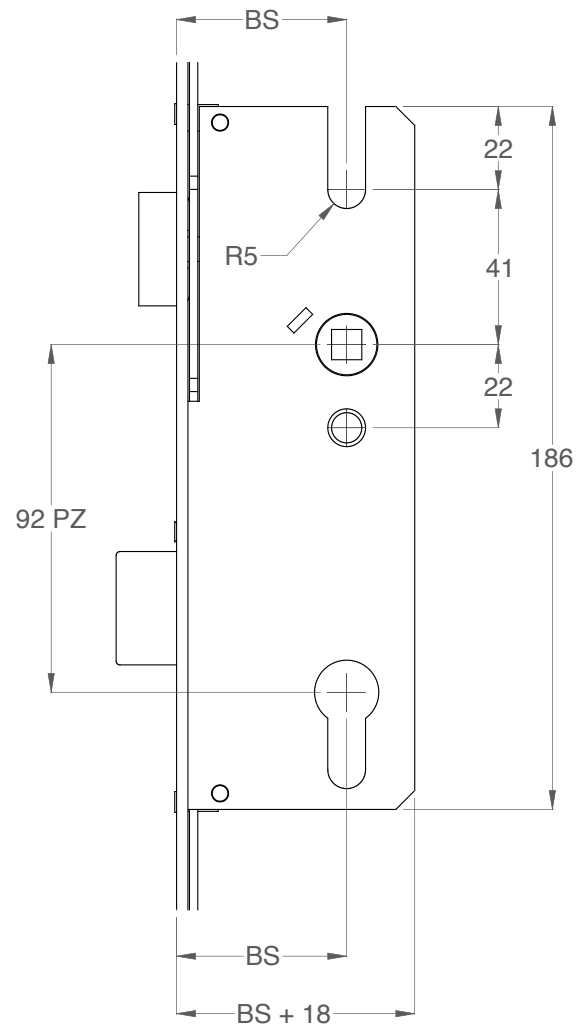
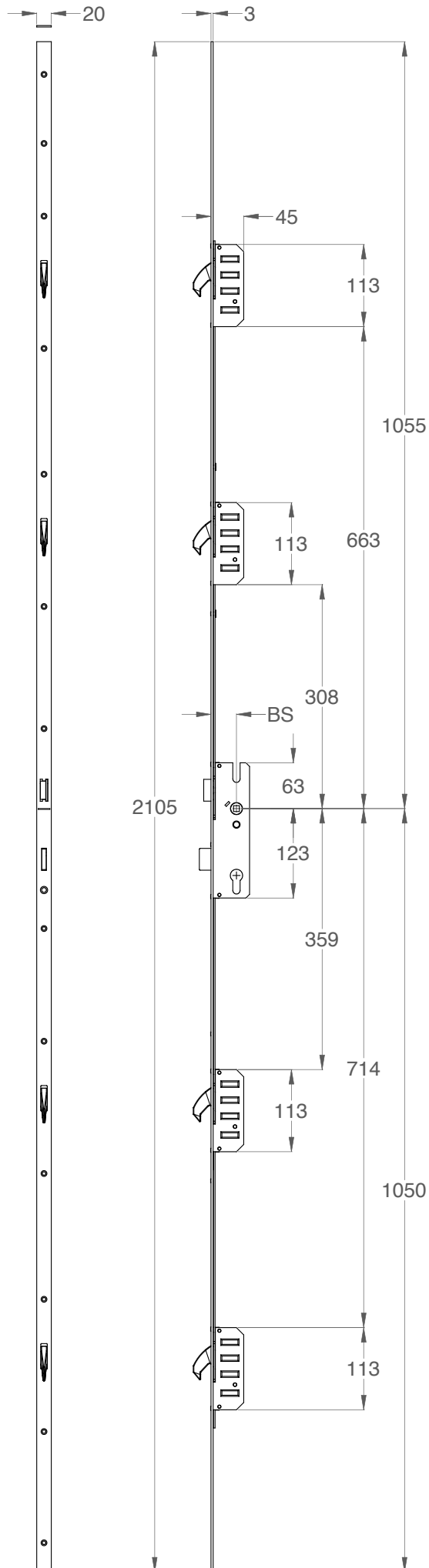
Drawing Description:

Dimensional Details Of Winkhaus' Standard STV Two Hook Residential Multi-point Door-lock System on a F20 rail.



4 Hook Lock

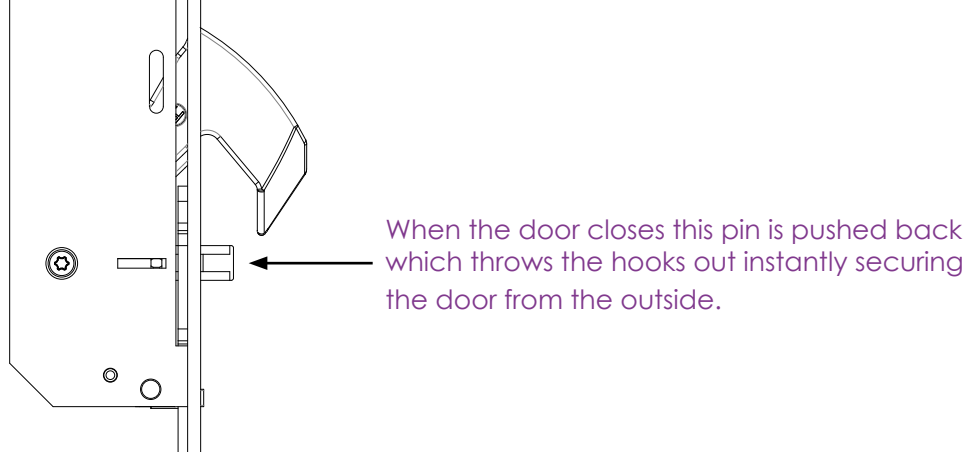
STV-FG 2060 M4



Drawing Description:

Dimensional Details Of Winkhaus' Standard STV Four Hook Residential Multi-point Door-lock System on a F20 rail.





AV2 with Lever/Fixed Pad Handle

Locking from the inside

- Closing the door automatically throws the top and bottom hooks making the door instantly weathered and secure from the outside.
- The handle can still be operated from the inside for instant exit.
- Insert the key and rotate one revolution to deadlock the door. This throws the central deadbolt and blocks the handle from operating. The door is now fully weathered and secure.

Unlocking from the inside

- Insert the key and rotate one revolution. This retracts the central deadbolt and allows the handle to be operated. The door remains weathered and secure from the outside.
- Depress the handle to retract the top and bottom hooks and open the door.

Locking from the outside

- Closing the door automatically throws the top and bottom hooks making the door instantly weathered and secure.
- Insert the key and rotate one revolution to deadlock the door. This throws the central deadbolt and blocks the internal handle from operating. The door is now fully weathered and secure.

Unlocking from the outside

- Insert the key and rotate one revolution. This retracts the deadbolt.
- Turn the key a further 45 degrees to retract the top and bottom hooks and open the door.

AV2 with Lever/Lever Handle

Locking from the inside

- Insert the key and rotate one revolution to deadlock the door. This throws the central deadbolt and blocks the handle from operating. The door is now fully weathered and secure.

Unlocking from the inside

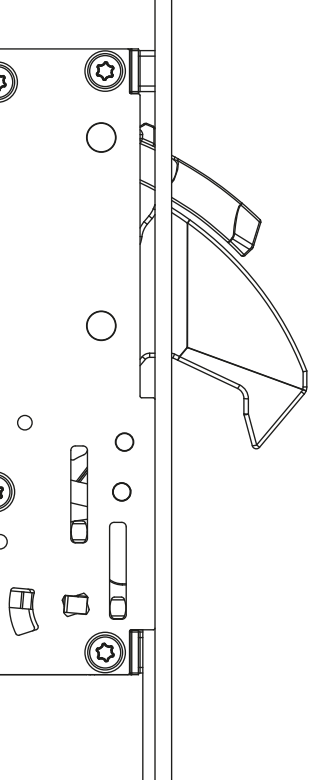
- Insert the key and rotate one revolution. This retracts the central deadbolt and allows the handle to be operated.
- Depress the handle to retract the top and bottom hooks and open the door.

Locking from the outside

- Insert the key and rotate one revolution to deadlock the door. This throws the central deadbolt and blocks the internal handle from operating. The door is now fully weathered and secure.

Unlocking from the outside

- Insert the key and rotate one revolution. This retracts the central deadbolt and allows the handle to be operated.
- Depress the handle to retract the top and bottom hooks and open the door.



AV3 Heritage Lock

Automatic Locking

The AV3 locking system is an automatic multi-point locking system with independently acting hooks for claw action and sealing elements for a dynamic contact pressure. By pulling the door closed, the sealing elements and the hook are triggered by means of a magnetic release on the frame and the door is secured against undesired entry. This ensures that the door always remains securely locked and remains firmly in its frame even without additional locking.

The hooks, sealing elements and latch can be retracted manually using the locking cylinder.

The frame-side magnetic release enables a defined triggering of the automatic locking. This reduces stress marks on the door frame and dampens the closing noise of the automatic locking system. With the opposed tracer pin, air gap tolerances can be bridged with this magnet technology.

Magnetic Switch Latch. (Different to standard switch latch)

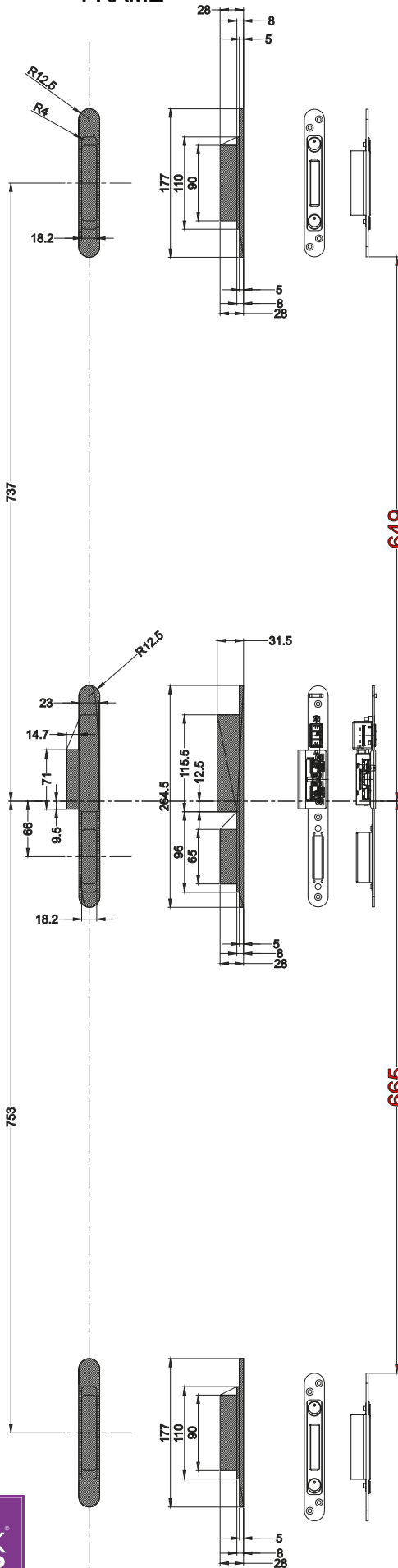
Daytime release using the magnetic switch latch simple single-handed operation.

When the **Switch Latch** is in the **UP** position a key is required to gain entry to the property. Don't get caught out and **lock yourself out**.

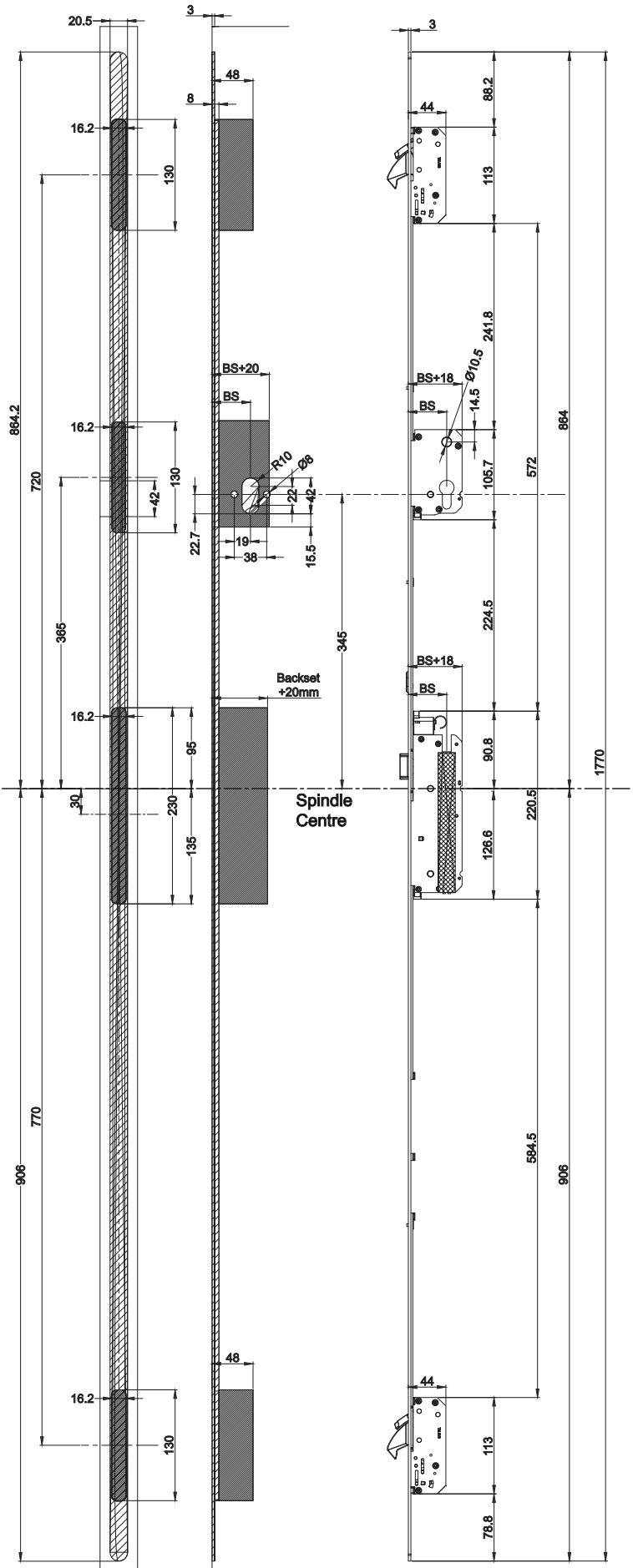
When the **Switch Latch** is in the **DOWN** position no key is required allowing you to gain entry to the property and the door can **open or close freely**.

Routing details for AV3 Heritage Lock

FRAME



SASH





Up Position

When the **Switch Latch** is in the **UP** position a key is required to gain entry to the property. Don't get caught out and **lock yourself out**.

For total security, the key or thumbturn still needs fully engaging to ensure the hook locks are secured in place.



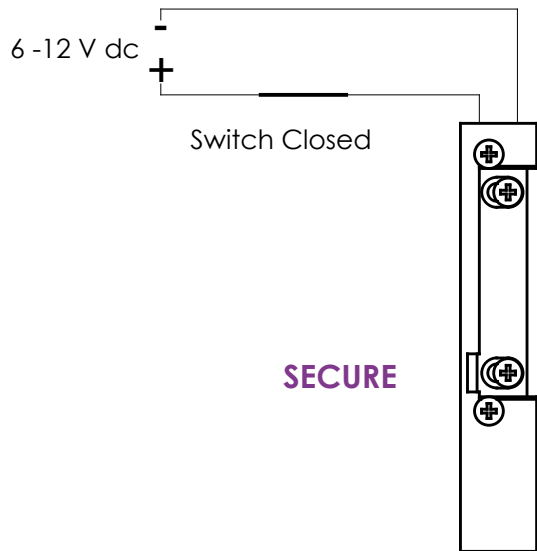
Down Position

When the **Switch Latch** is in the **DOWN** position no key is required allowing you to gain entry to the property and the door can **open or close freely**.

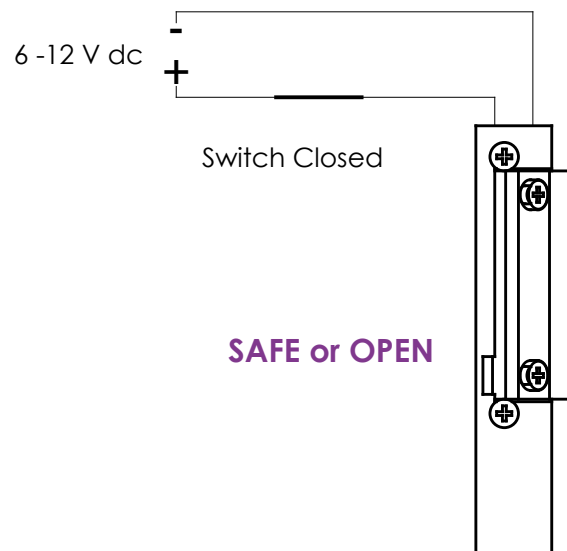
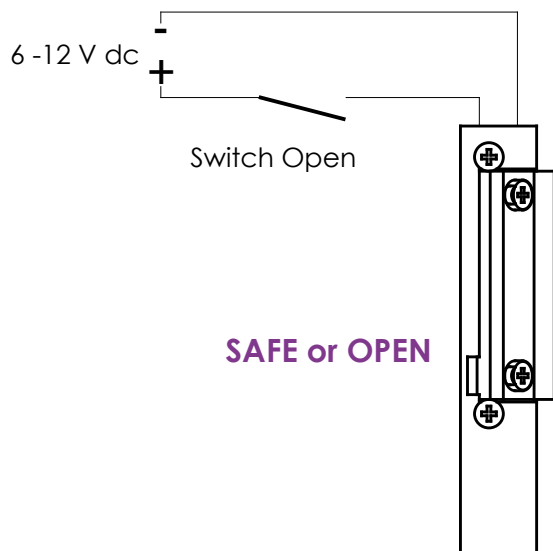
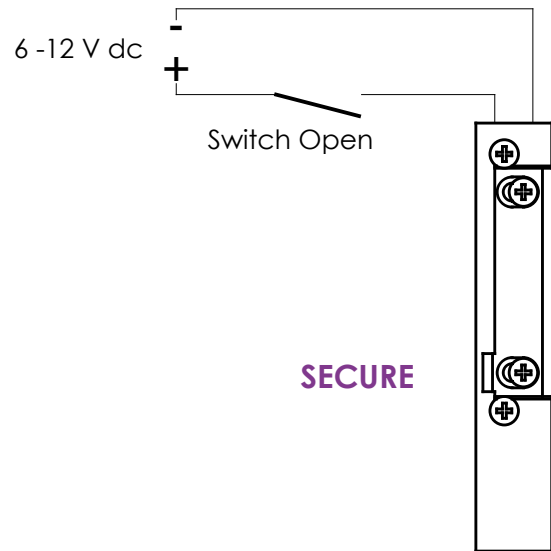
For total security, the key or thumbturn still needs fully engaging to ensure the hook locks are secured in place.

Electric Latch Release

Fail **SAFE** Electric Latch Release (no power)



Fail **SECURE** Electric Latch Release (no power)



Technical Details (for Both Options)

Handing	Universal
potential	12 V DC
Adjustable latch (FF, FaFix®)	Yes
Fail-unlocked	Yes
Rated operating voltage tolerance range	± 1 V
Rated resistance	60 Ohm
Current consumption DC (50% Residual ripple)	225 mA
Current consumption DC (stabilised)	200 mA
Break-in resistance	3000 N
Height	90 mm
Width	16 mm
Operating temperature range	-15 °C to +40 °C
Max. keeper pre-load DC (50% residual ripple)	10 N
Max. latch preload DC (stabilised)	10 N
Depth	28 mm
Material housing	Zinc die-cast
Latch material	Zinc die-cast
Material surface-mounted attachment	MESSING

BS 8529 / PAS24:2016
Registration: KM522431

Door Specification:

1. Door styles

All door styles except stable doors and double doors.

2. Glazing

P1A compliant glass (6.8mm Laminated)

3. Outer frame

72mm Rehau Outer frame

4. Reinforcing

Security Mesh

5. Handle

Standard lever/lever handle or Bar Handle

6. Hinges

Standard 3D Rockdoor hinge

7. Lock

Winkhaus 2 hook lock

8. Cylinder

Standard Rockdoor 3 star cylinder

9. Keeps

Standard 3D Rockdoor full length keeps

10. Threshold

Aluminium low threshold

11. Letterplate

Must be TS008 compliant

Methods of test.

1. Operating Forces

The operating forces acting on the sample were determined by the methods given in BS EN 12046-2:2000.

2. Air Permeability

The air permeability of the sample was determined by the method given in BS 6375-1:2015.

3. Watertightness

The watertightness of the sample was determined by the method given in BS 6375-1:2015.

4. Wind Resistance

The wind resistance of the samples was determined by the methods (P1 and P2) given in BS 6375-1:2015.

5. Repeat Tests

After testing for resistance to wind loading (P1 and P2) the air permeability test was repeated.

6. Wind Resistance

The wind resistance of the samples was determined by the method (P3) given in BS 6375-1:2015.

7. Resistance to Vertical Loads

The resistance to vertical loads test was carried out using the method given in BS EN 947:1999.

8. Resistance to Static Torsion

The resistance to static torsion test was carried out using the method given in BS EN 948:1999.

9. Soft and Heavy Body Impact

The resistance to soft and heavy body impact was carried out using the method given in BS EN 949:1999.

10. Hard Body Impact

The resistance to hard body impact was carried out using the method given in BS EN 950:1999.

Results of test.

1. Air Permeability

The test sample met the requirements of the Specification, in respect of Clause 6, for Test Pressure **Class 4**.

2. Watertightness

The test sample met the requirements of the Specification, in respect of Clause 7, for Test Pressure **Class 3A**

3. Wind Resistance

The test sample met the requirements of the Specification, in respect of BS6375-2:2009, for Exposure Category **C3 (1200Pa)**.

4. Operational Strength

The test sample **met the requirements** of the Specification in respect of BS6375-2:2009.

5. Basic Security

The test sample **met the requirements** of the Specification in respect of BS6375-3:2009.

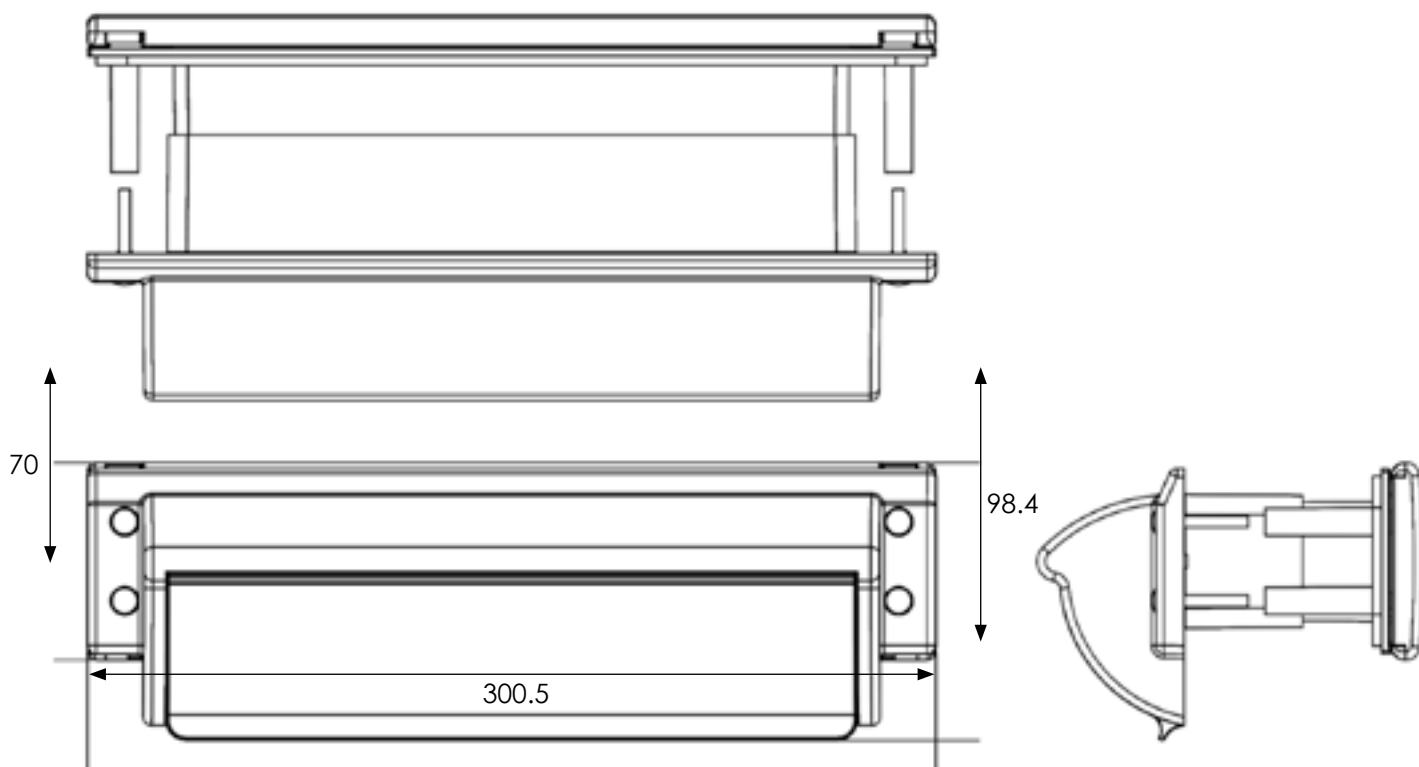
BS 8529 / PAS24

Registration: KM522431

Secured by Design (SBD) is the official police security initiative that works to improve the security of buildings and their immediate surroundings to provide safe places to live.

For Rockdoor to meet the specification they should be fitted with:

- 1 P1A Compliant glass (6.8mm laminated)**
- 2 Security mesh.**
- 3 Letterplates must conform to requirements of TS008.**



Cycle tested to 20,000 cycles

Corrosion tested in excess of 1,000 hours based on BS EN 1670

White PVC-U internal

304 stainless steel construction external

Concealed hinge mechanism for attack resistance

For solid door styles with no glass, please refer to the Clear Backing glass section for the doors energy rating

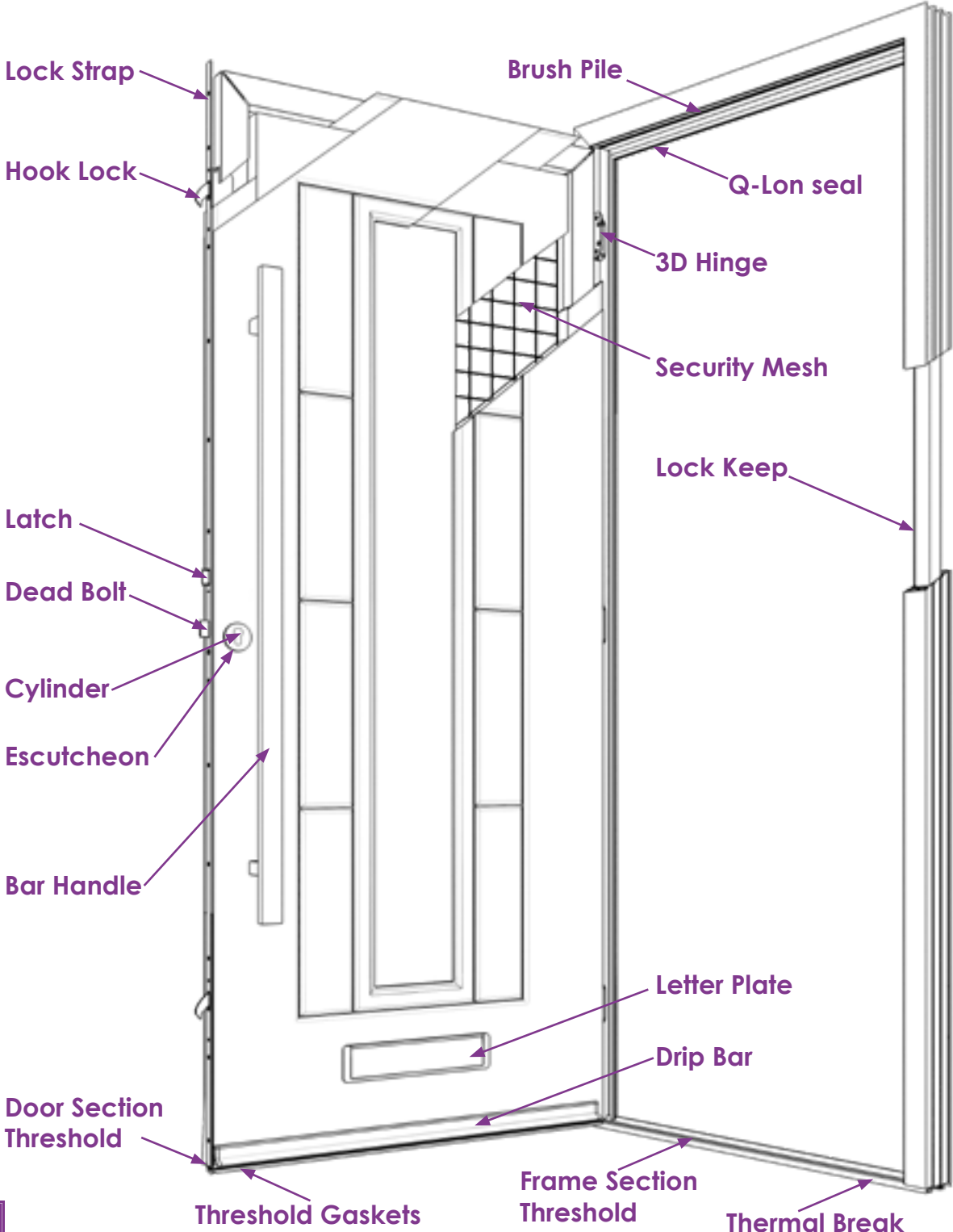
Door Style	CLEAR BACKING GLASS				OBSCURE BACKING GLASS			
	72mm threshold	52mm threshold	Ali threshold open out	Ali threshold open in	72mm threshold	52mm threshold	Ali threshold open out	Ali threshold open in
Arcacia	A	A	A	A	A	A	A	A
Campus	B	B	B	B	C	C	C	D
Carolina	A	A	A	A	A	A	A	A
Classic	C	C	C	C	D	D	D	E
Colonial	A	A	A	A				
Cottage spy view	A	A	A	A	A	A	A	A
Cottage view light	B	B	B	B	C	C	C	D
Dakota	A	A	A	A				
Diamond	A	A	A	A	A	A	A	A
English cottage	A	A	A	A	A	A	A	A
Georgia	B	B	B	B	C	C	C	D
Illinois	B	B	B	B	C	C	C	D
Indiana	A	A	A	A				
Jacobean	B	B	B	B	C	C	C	D
Kentucky	B	B	B	B	C	C	C	D
Montana	B	B	B	B	C	C	C	D
Newark	B	B	B	B	C	C	C	D
Portland	B	B	B	B	C	C	C	D
Philadelphia	B	B	B	B	C	C	C	D
Regency	A	A	A	A	A	A	A	A
Stable diamond view	B	B	B	B	B	B	B	B
Stable spy view	B	B	B	B	B	B	B	B
Stable view light	C	C	C	C	B	C	D	D
Tennessee	B	B	B	B	C	C	C	D
Tongue and groove 5	A	A	A	A	A	A	A	A
Vermont	B	B	B	B	C	C	C	C
Virginia	C	C	C	C	D	D	D	E
Vogue	B	B	B	B	C	C	C	D
Windsor	B	B	B	B	C	C	C	D

Replacement Parts

To ensure you receive the correct replacement part, you firstly need to find the Rockdoor production number of the door that requires parts. This can be found on the hinge side of the inner frame and is a 6 digit reference number. Contact can then be made to GAP's customer service team (customerservice@gap.uk.com) who can help you.

Our team can then use our systems to find the correct part for the door and arrange for its delivery to the depot.

With lots of parts used to construct the door, it's useful to make sure we have the correct part, so please refer to the illustration below.





Style **Secured**

Rockdoor must be installed in-line with the five star installation guide.