

**B**olton Gate Company's Roller Shutters are an economical method of providing a secure and weatherproof closure to large or small openings. They are suitable for loading bays, factories, warehouses and any applications where security is required and represent a reliable and efficient closure for most applications.

Roller shutters provide a virtually unobstructed opening and when open, the shutter and mechanism are out of the way above the doorway and clear of any risk of damage from vehicles moving through the opening. The doors are robust and have a long life with little maintenance required.

Bolton Gate Company's Roller Shutters have been supplied on many prestigious projects worldwide for over 60 years and come with the technical design and back-up for which the Company is renowned. Shutters can be supplied as standard up to 7000mm wide. Larger widths up to 12 metres are available (please consult sales office for details).

### STANDARD SPECIFICATION

#### **Curtain**

Shutter curtains are constructed from continuously interlocked galvanised steel laths, securely held in place by end locks. Various thicknesses and profiles are available according to individual criteria such as size, wind loading etc. Bottom rails are generally galvanised and roll-formed into a tee section.

#### **Guides**

Vertical guides are formed from rolled steel or fabricated dependent on size and wind loading and are supplied with suitable angles for fixing to the structure.

#### **Endplates**

Prime painted mild steel of appropriate thickness relative to door size and supplied with angles for fixing to the structure.

#### **Barrel**

The barrel is constructed from seamless steel tube of adequate diameter to resist deflection and held in bearings or cups attached to the endplates.

### FINISH

Generally galvanised with non-galvanised parts prime painted.

### OPERATION

Various types of arrangement are available with smaller openings typically using a 240 volt single phase tubular motor and larger shutters operated by a 400 volt 3 phase geared motor mounted on one endplate. Adjustable limit switches are incorporated to stop the shutter at the end of each travel. Standard controls are open/close/stop buttons for geared motors and rocker switches on single phase tubular motors



### WEIGHT

Dependent upon size and lath configuration but typically 35kgs/m<sup>2</sup>.

### OPTIONS

#### **Hoods/Fascias**

Galvanised steel hoods and fascias can be supplied to cover the coiled shutter and motor.

#### **Lath Designs**

Various lath designs are available from a 51mm flat lath for smaller openings to the traditional 76mm curved and 102mm flat laths for industrial and exposed locations. The laths can be perforated or punched to allow ventilation and/or provide through visibility whilst maintaining the necessary security.

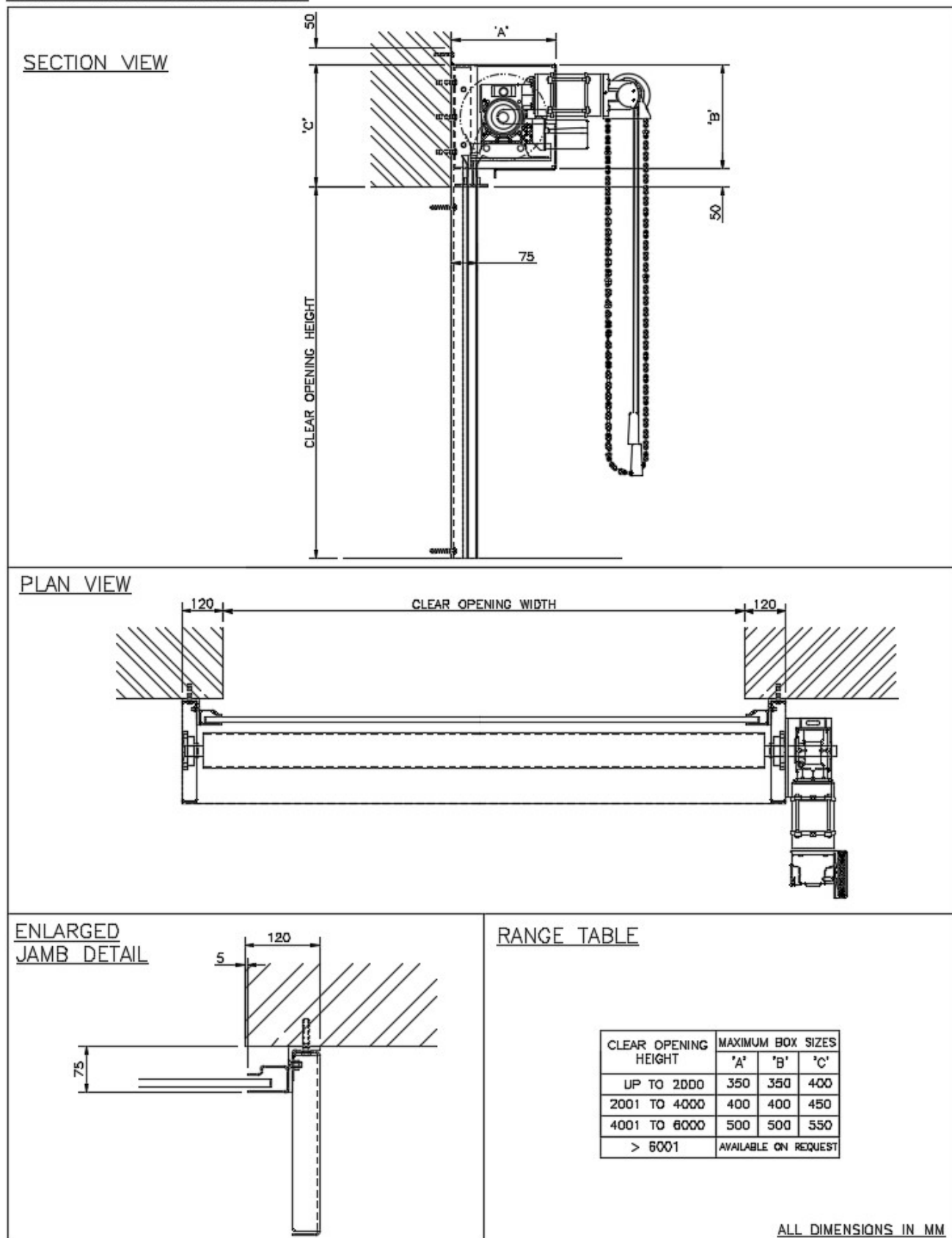
#### **Controls**

A variety of controls is available including remote operation by card reader, photocell or loop detectors and facility for linking into the client's BMS.

#### **Finishes**

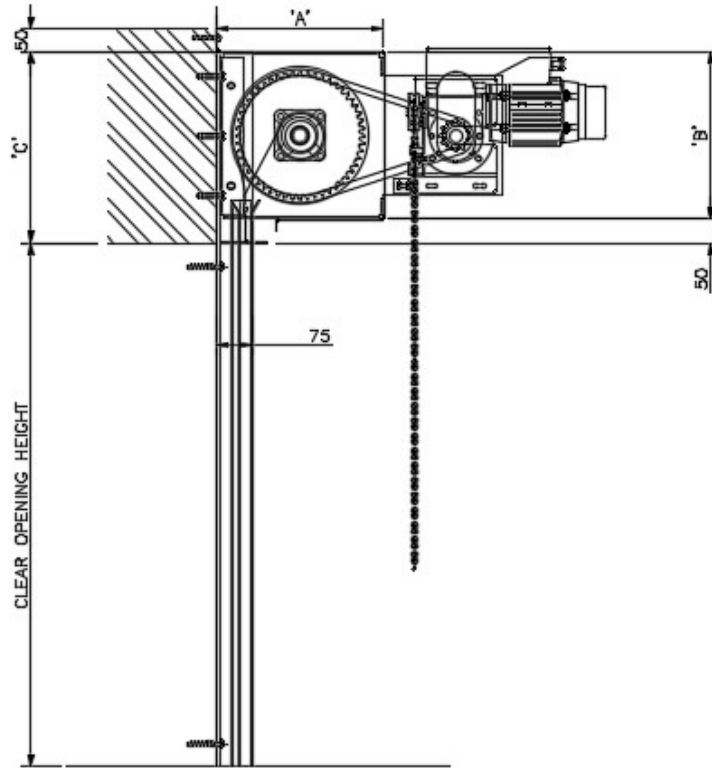
Polyester powder coating in a range of standard RAL colours is available.

DIRECT DRIVE ARRANGEMENT

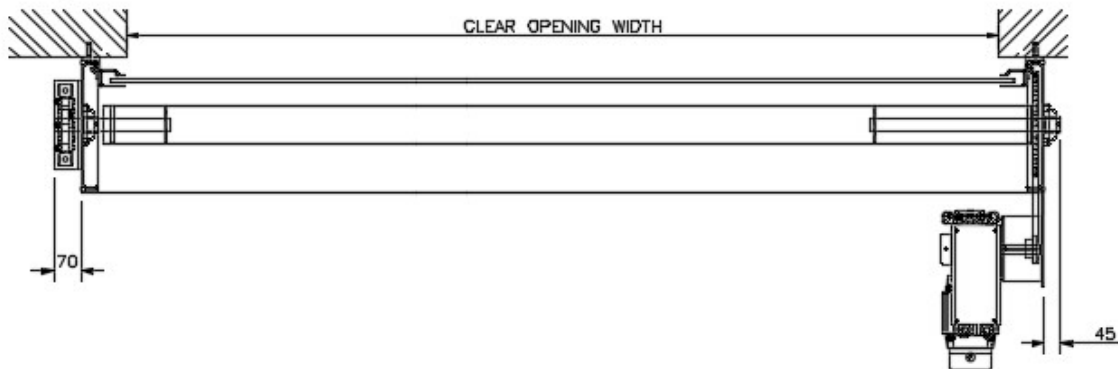


## CHAIN DRIVE ARRANGEMENT

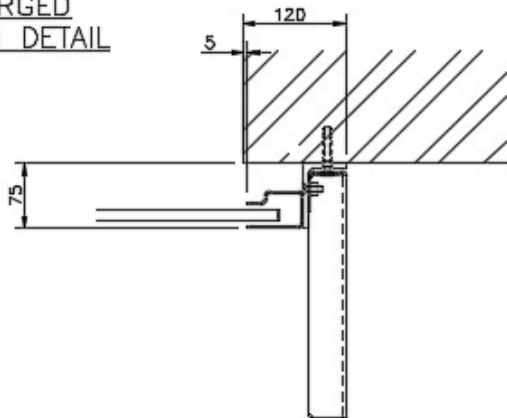
SECTION VIEW



PLAN VIEW



ENLARGED JAMB DETAIL

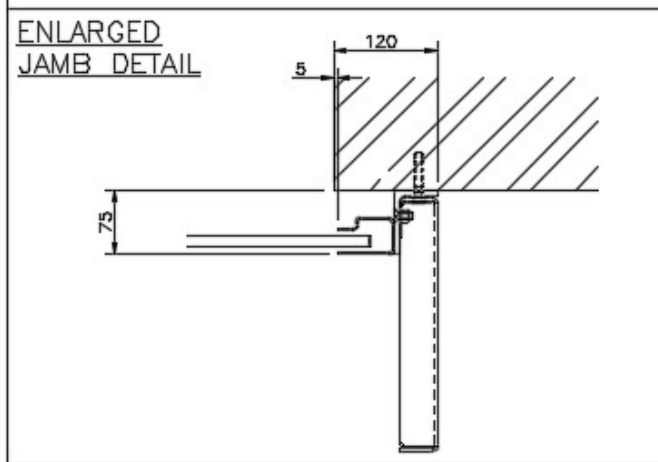
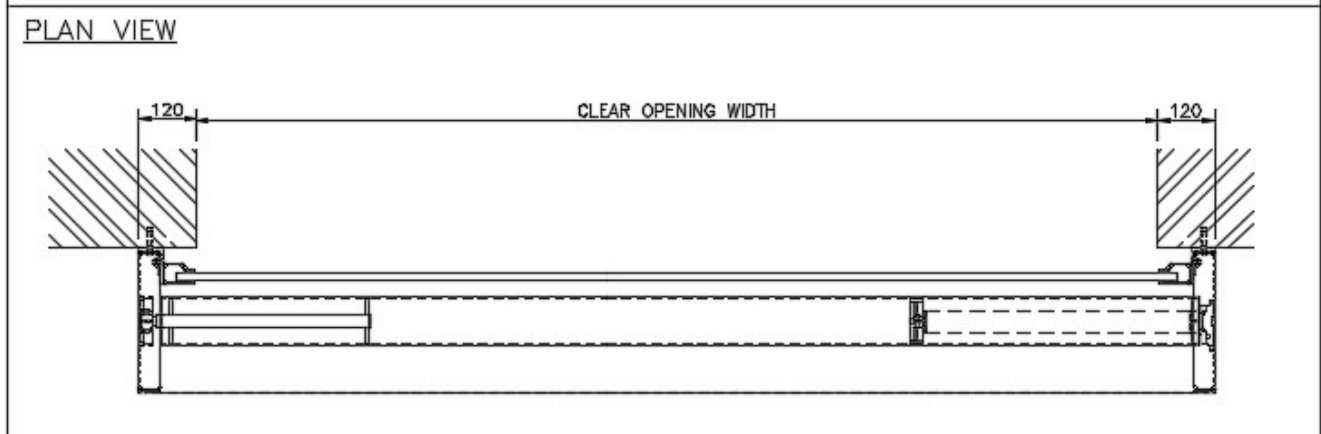
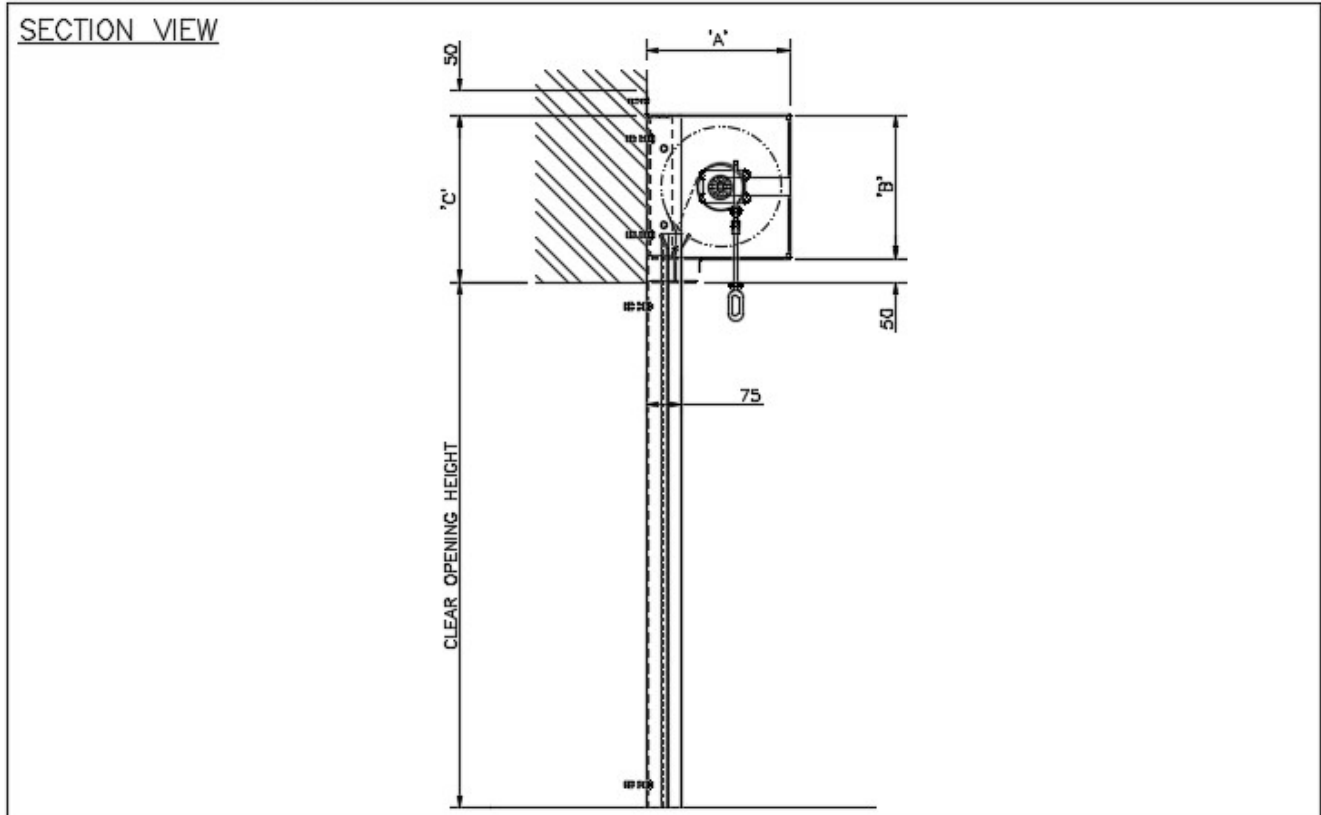


RANGE TABLE

CLEAR OPENING HEIGHT	MAXIMUM BOX SIZES		
	'A'	'B'	'C'
UP TO 2000	350	350	400
2001 TO 4000	400	400	450
4001 TO 6000	500	500	550
> 6001	AVAILABLE ON REQUEST		

ALL DIMENSIONS IN MM

## TUBE MOTOR ARRANGEMENT



RANGE TABLE

CLEAR OPENING HEIGHT	MAXIMUM BOX SIZES		
	'A'	'B'	'C'
UP TO 2000	350	350	400
2001 TO 4000	400	400	450
4001 TO 6000	500	500	550
> 6001	AVAILABLE ON REQUEST		

ALL DIMENSIONS IN MM