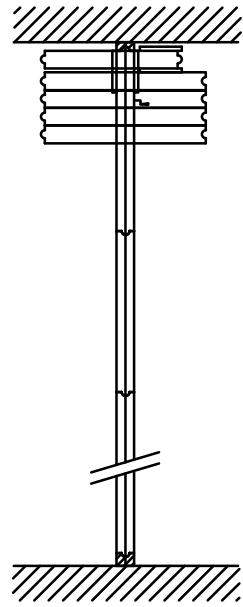
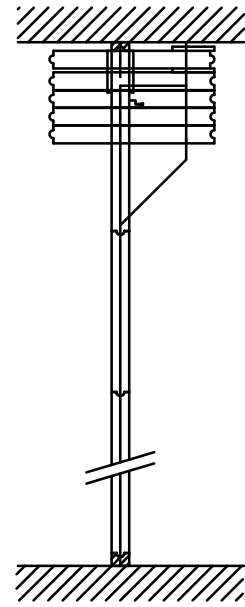


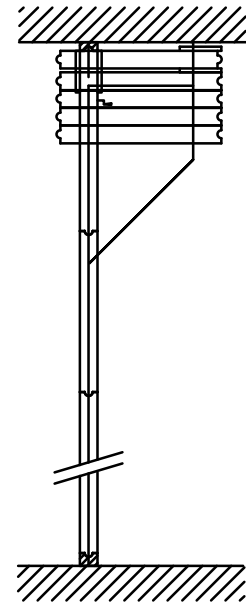
## TRACK AND PANEL LAYOUT - EXAMPLES



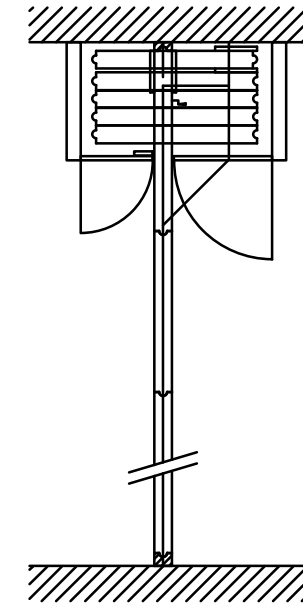
**TL1**  
**('E' SYSTEM)**



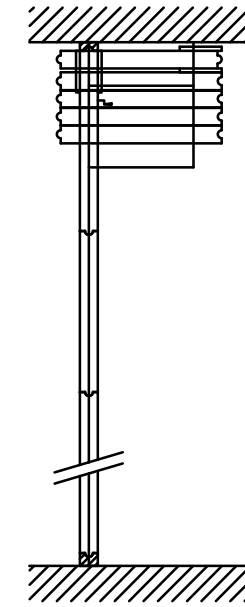
**TL2**  
**('Za' SYSTEM)**



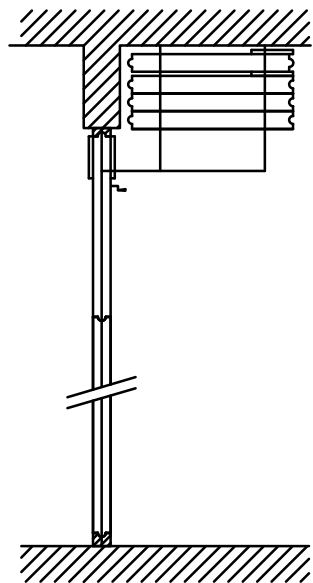
**TL3**  
**('Zb' SYSTEM)**



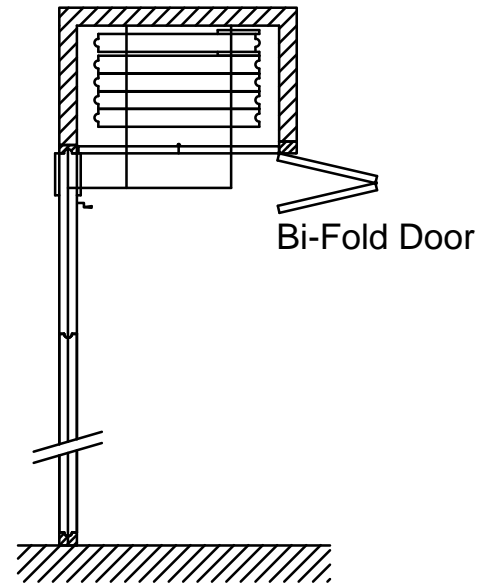
**TL4**  
**('Z' SYSTEM)**  
Panels stacked  
in recess cupboard



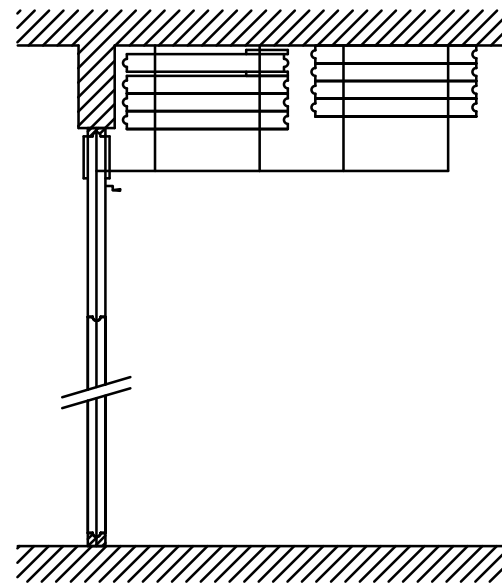
**TL5**  
**('K' SYSTEM)**



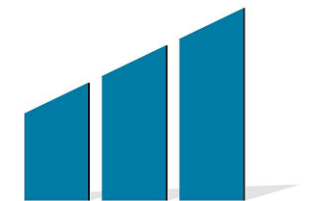
**TL6**  
**('K' SYSTEM)**  
Panels stacked  
behind reveal



**TL7**  
**('K' SYSTEM)**  
Panels stacked  
inside wall recess



**TL8**  
**('K' SYSTEM)**  
Panels stacked  
in branches to  
one or both sides



**M O V A W A L L**  
**Movawall Systems Ltd**  
Tel : +44 (0) 20 8391 8790  
[www.movawall.co.uk](http://www.movawall.co.uk)  
E-Mail : [Sales@movawall.co.uk](mailto:Sales@movawall.co.uk)  
**DRG. NO.: SL - 101**