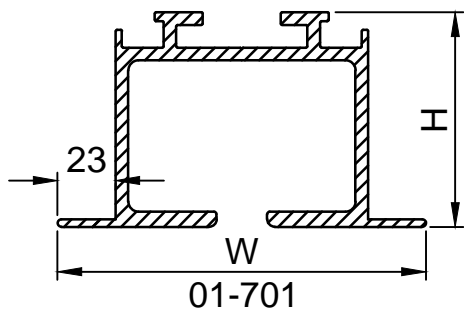
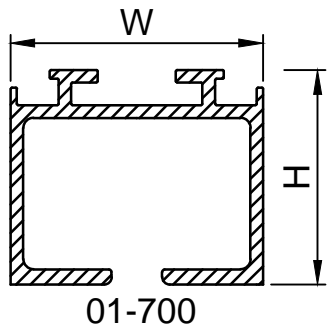
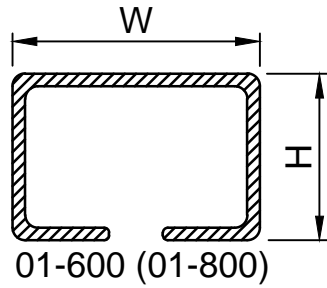
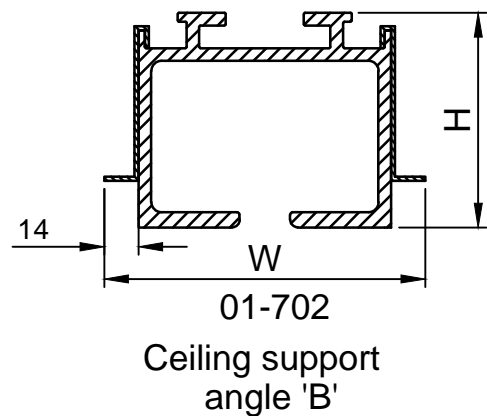


# CEILING TRACK & FIXING OPTIONS - TYPE 100

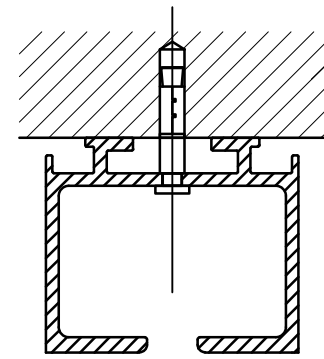
Type	H	W	Material
01-600	66	98	Steel
01-700	85	100	Aluminium
01-701	85	146	Aluminium
01-702	85	128	Aluminium
01-800	80	140	Steel



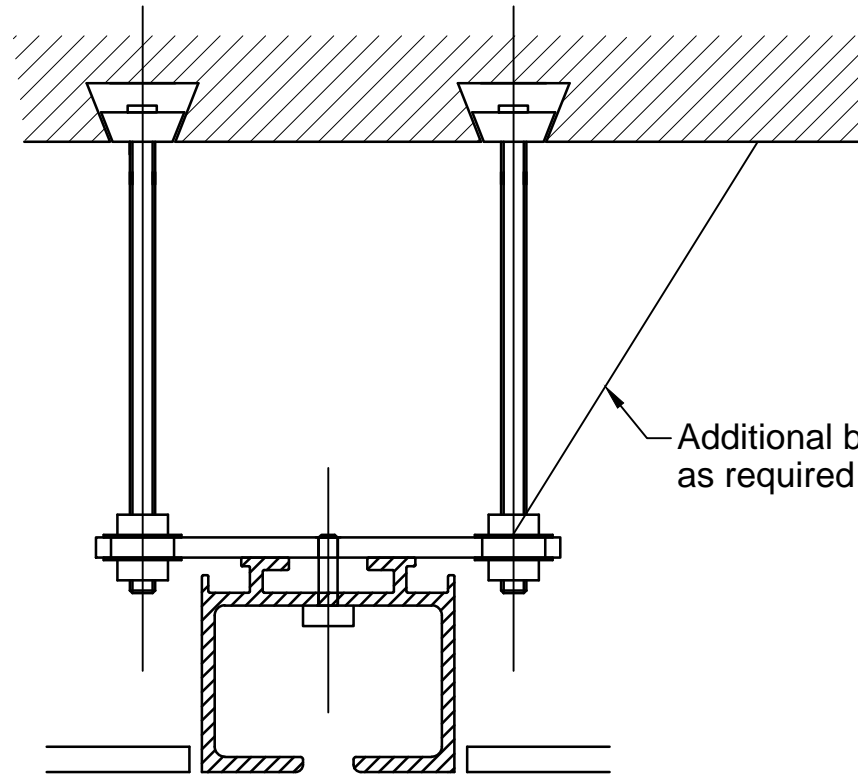
Ceiling support angle 'A'



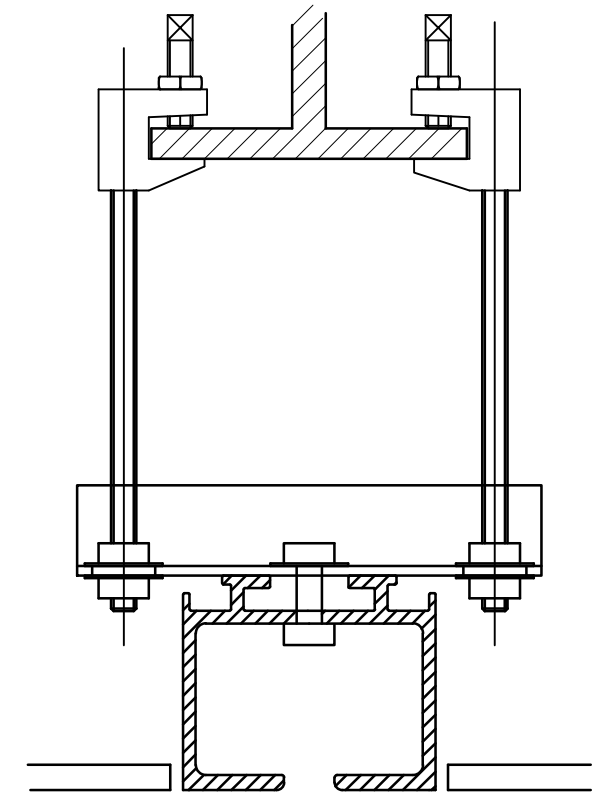
Ceiling support angle 'B'



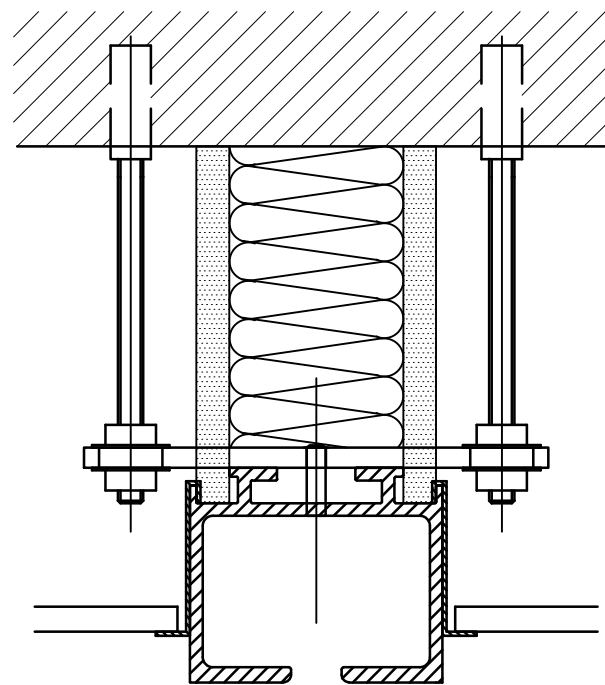
**1. FIXED TO SOLID CONCRETE SOFFIT**



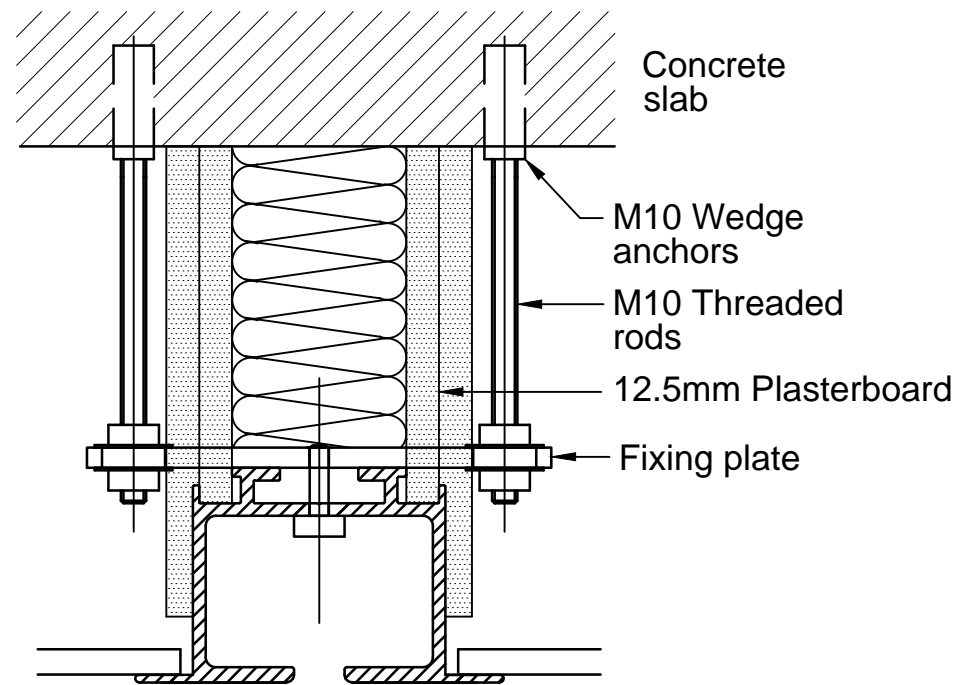
**2. FIXED TO STRUCTURAL STEEL TRAY**



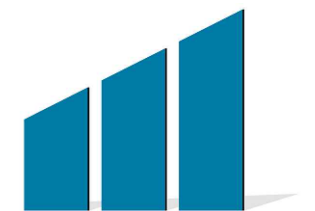
**3. FIXED TO STEEL BEAM USING 'LINDAPTER CLAMPS'**



**4. CEILING VOID BAFFLE**  
'E' track detail with angle 'B' and single skin baffle



**5. CEILING VOID BAFFLE**  
Fixed to solid concrete slab with double skin baffle for high level of sound reduction



**MOVAWALL**  
**Movawall Systems Ltd**  
 Tel : +44 (0) 20 8391 8790  
[www.movawall.co.uk](http://www.movawall.co.uk)  
 E-Mail : [Sales@movawall.co.uk](mailto:Sales@movawall.co.uk)  
**DRG. NO.: SL - 102**