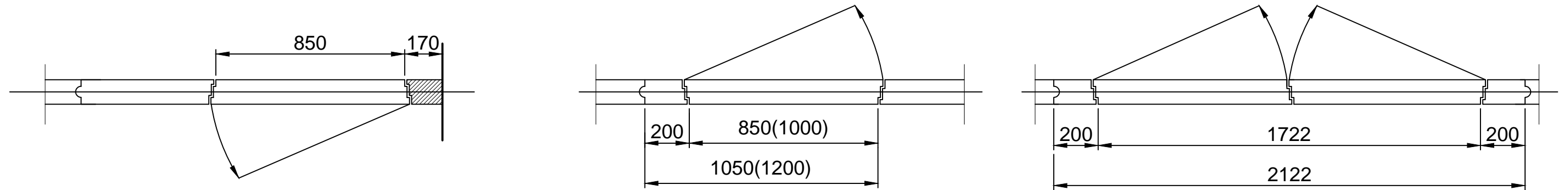
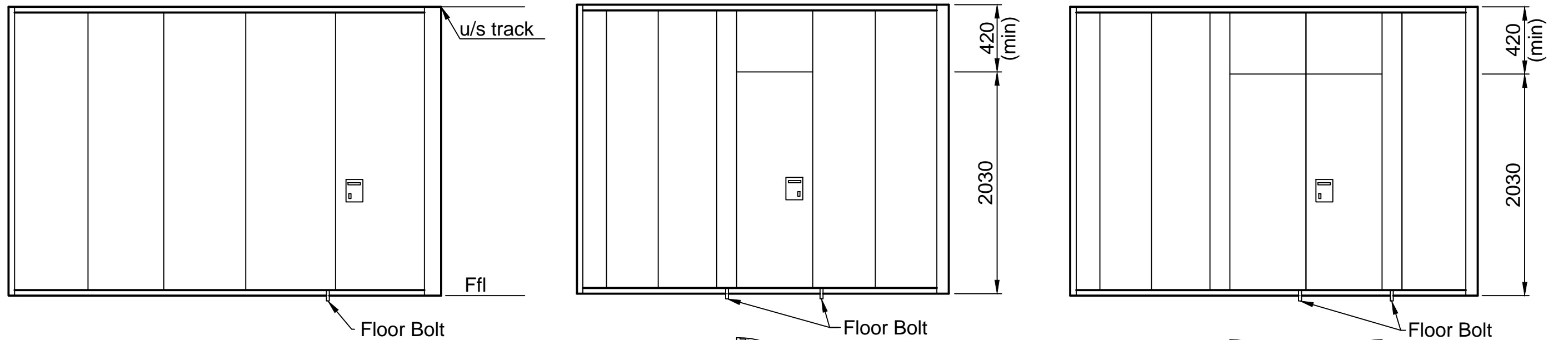


PASS DOOR OPTIONS - TYPE 100

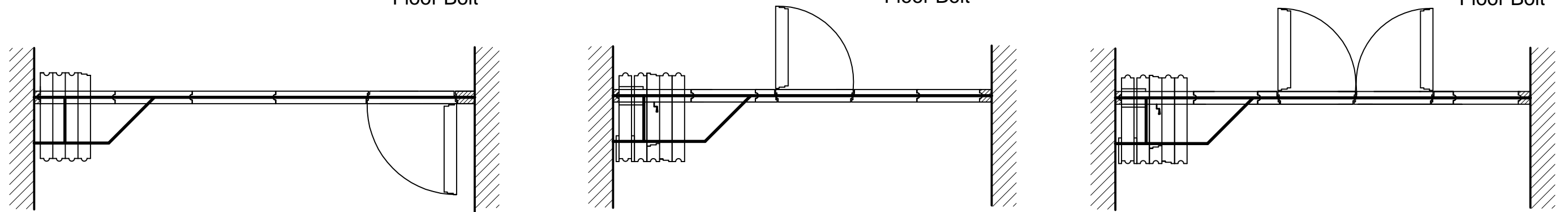
Plan



Elevation



Layout plan



2. SINGLE PASS DOOR PANEL (SE1)

3. DOUBLE PASS DOOR PANEL (SE2)

1. FULL HEIGHT HINGED DOOR (DT)

Notes:

1. Standard dimensions of pass door panels shown
2. Other types and sizes available
3. Pass door panels can be used on any ceiling track system



LONDON WALL
London Wall Design Ltd
 Tel : +44 (0) 20 8391 8750
 www.londonwall.co.uk
 E-Mail : Sales@londonwall.co.uk
DRG. NO.: SL - 104