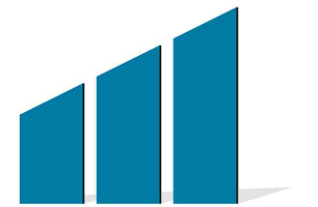
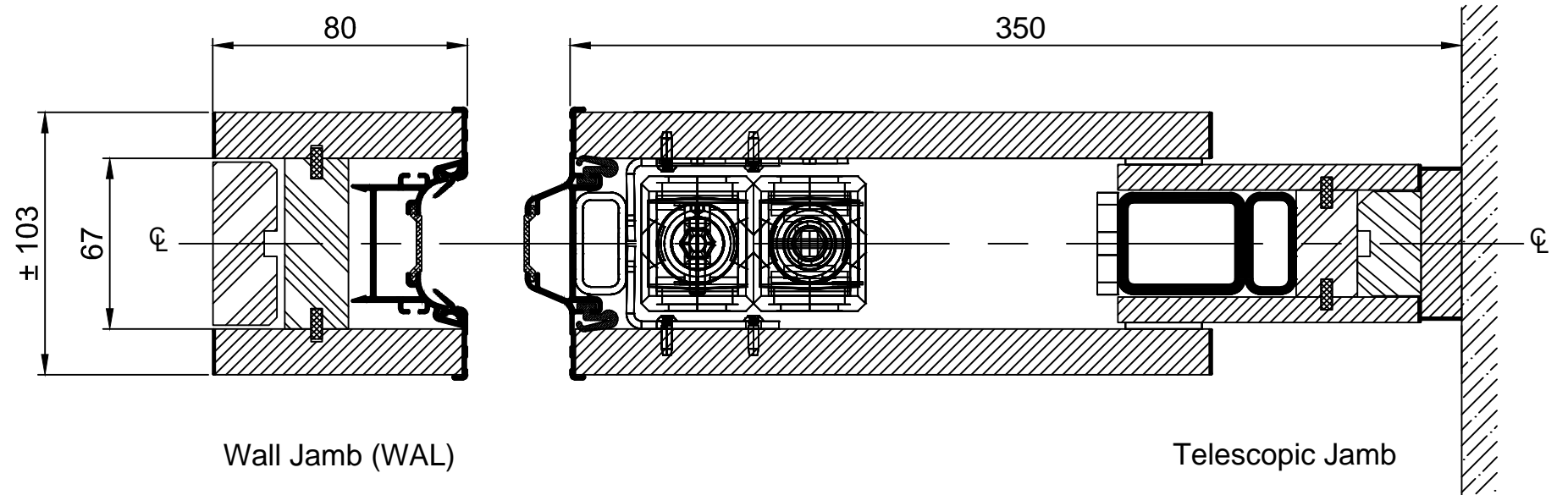
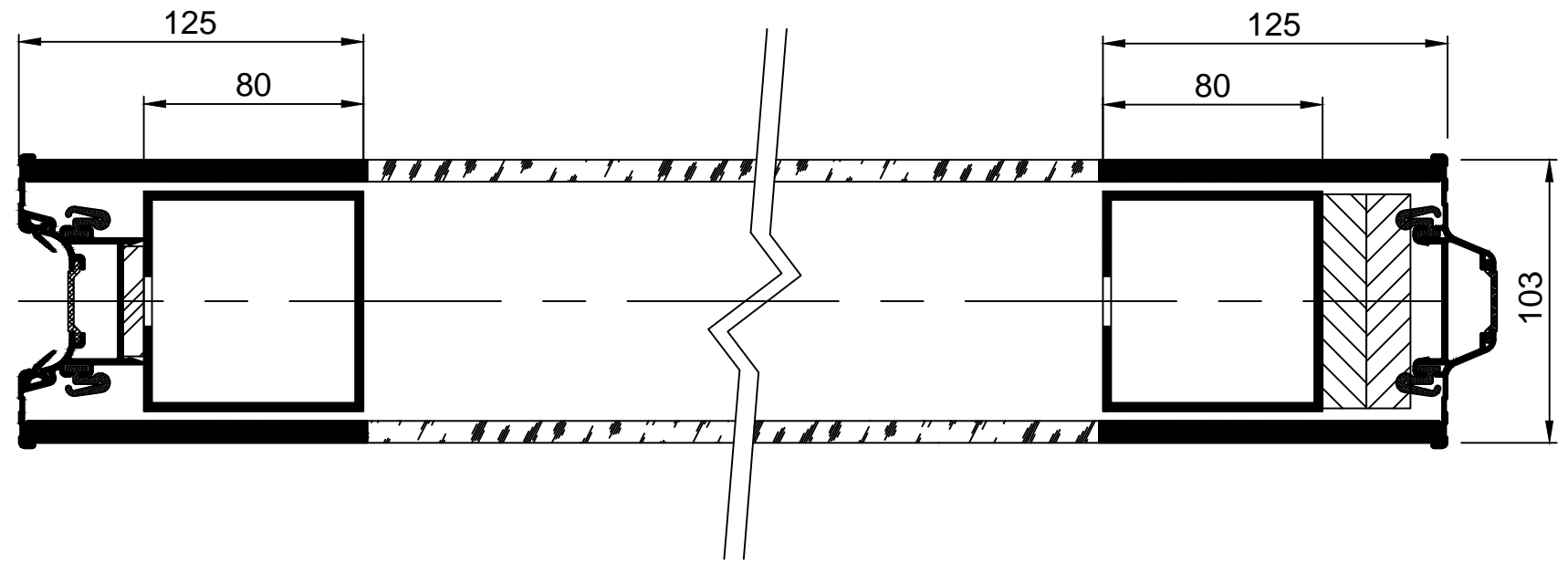
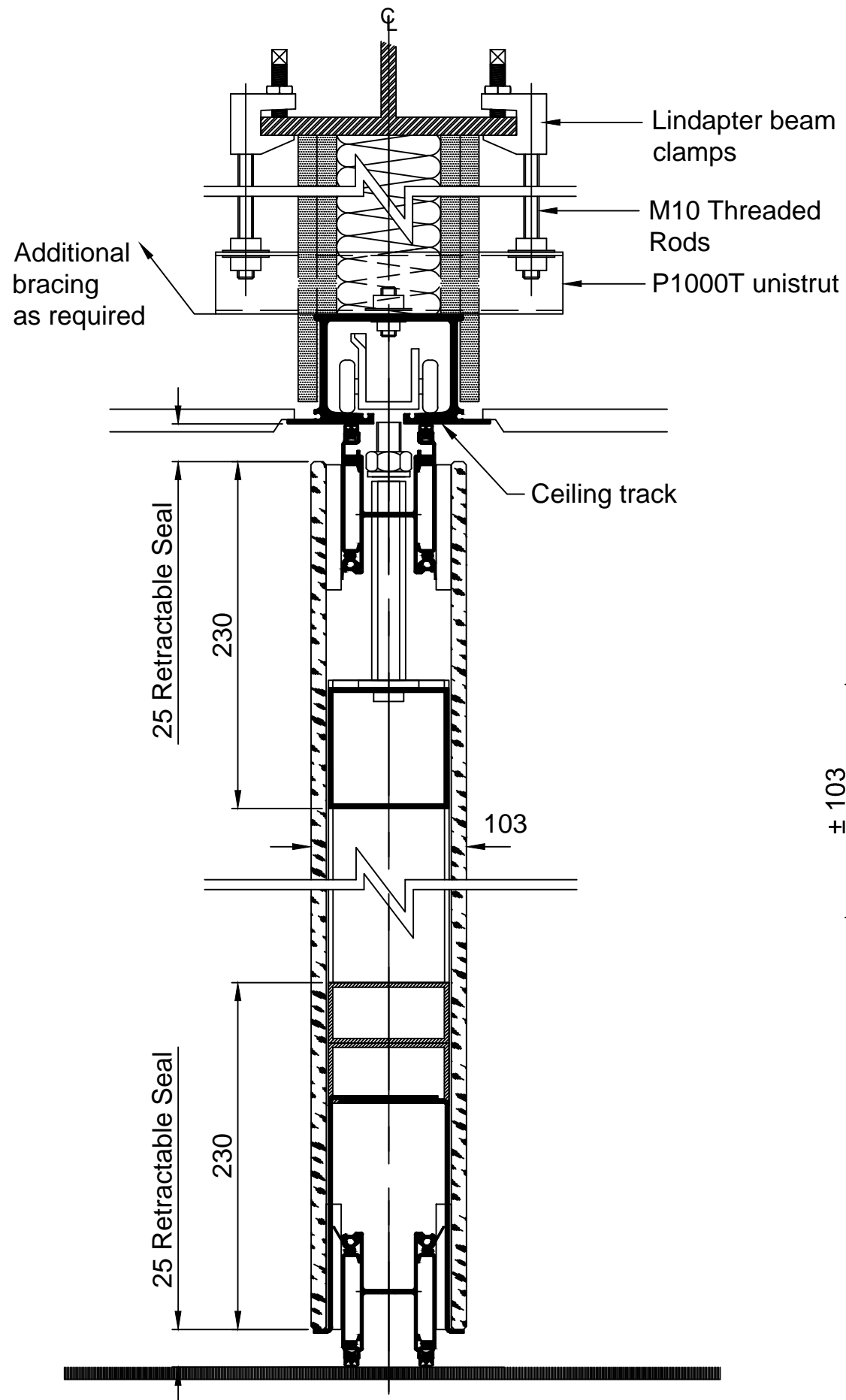


# PANEL DETAILS - TYPE RG PLUS GLAZED ACOUSTIC WALL



**M O V A W A L L**  
**Movawall Systems Ltd**  
 Tel : +44 (0) 20 8391 8790  
 www.movawall.co.uk  
 E-Mail : Sales@movawall.co.uk  
**DRG. NO.: SL - 111**