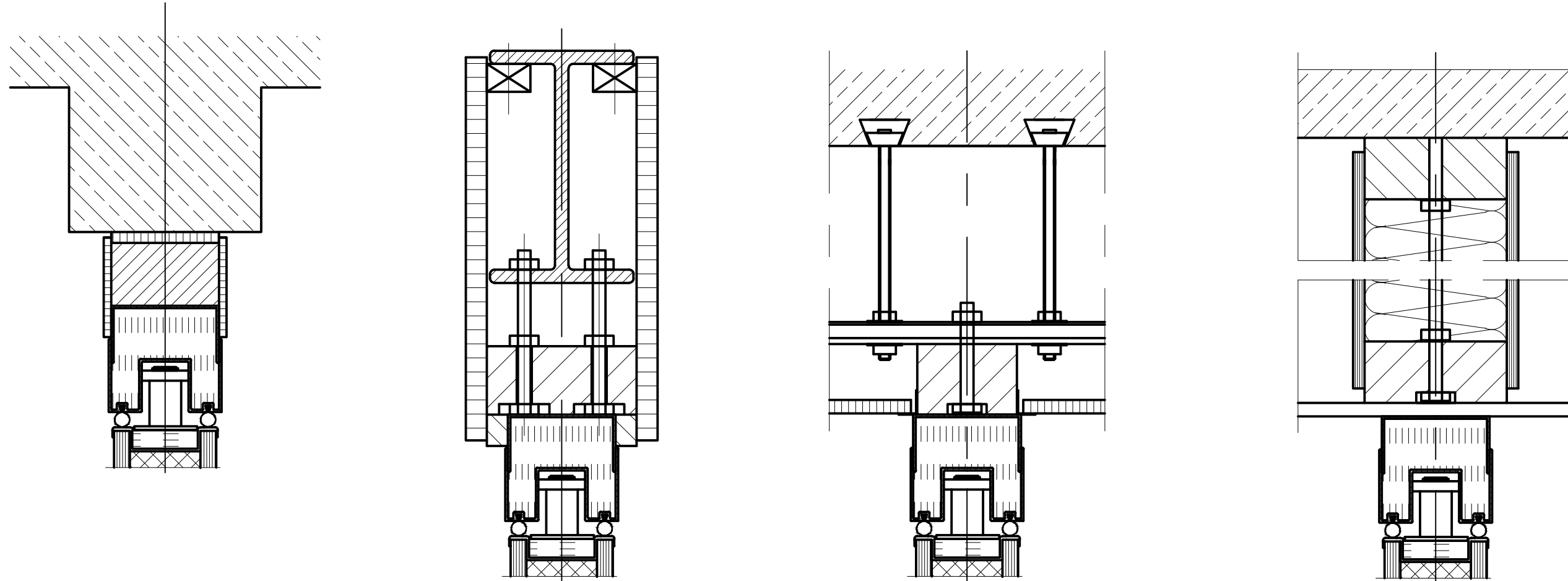
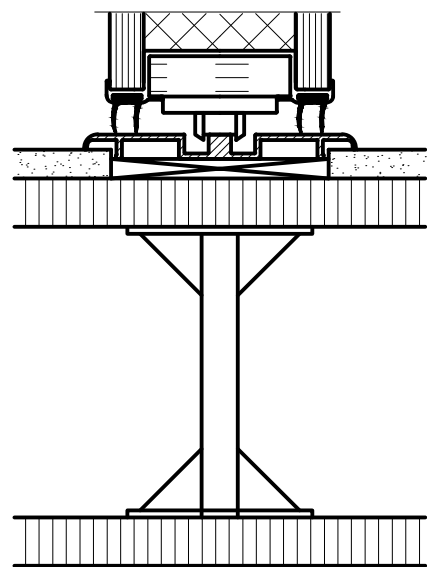


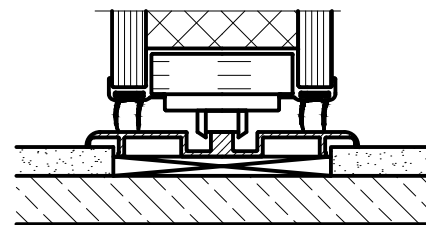
# FIXING OPTIONS - TYPE 200 FLOOR SUPPORTED



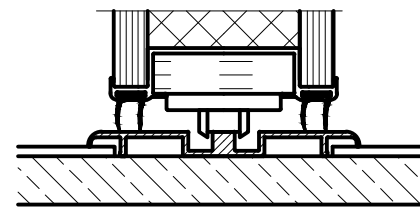
VERTICAL SECTION - TOP GUIDE CHANNEL



NB : RAISED FLOOR  
PEDESTALS REQUIRED  
ON PARTITION  $\phi$



CARPET UNDERLAY  
> 4mm



PVC OR CARPET  
TILE +/- 4mm

VERTICAL SECTION - FLOOR BOTTOM RAIL



LONDON WALL  
London Wall Design Ltd

Tel : +44 (0) 20 8391 8750

[www.londonwall.co.uk](http://www.londonwall.co.uk)

E-Mail : [Sales@londonwall.co.uk](mailto:Sales@londonwall.co.uk)

DRG. NO.: SL - 202