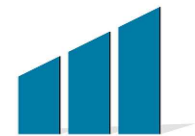
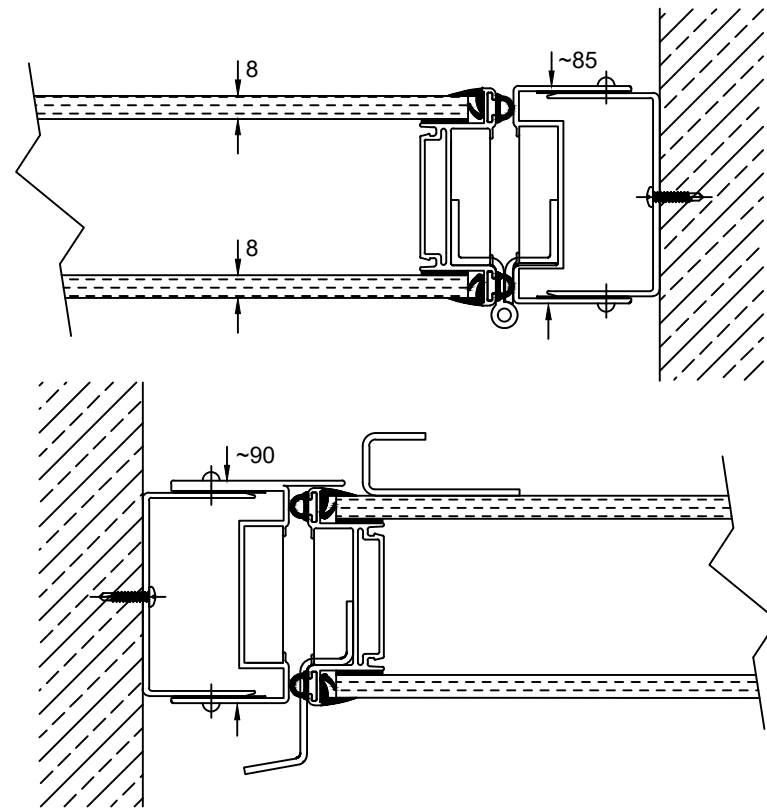
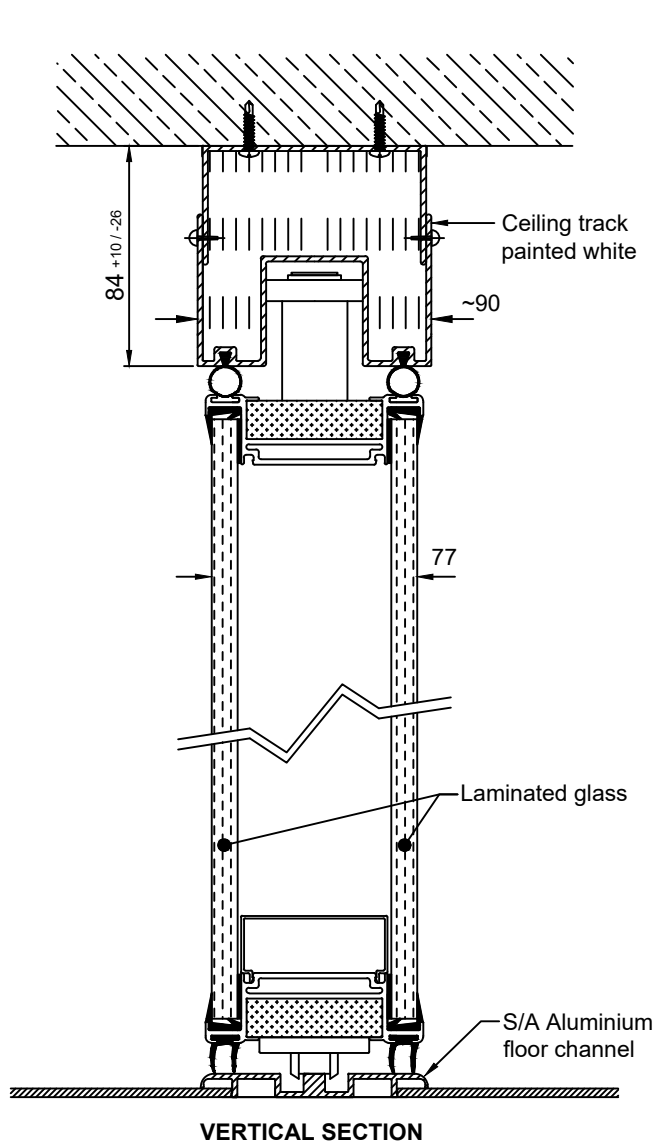


# PANEL DETAILS - TYPE G200 ACOUSTIC GLAZED FOLDING PARTITION



**MOVAWALL**  
**Movawall Systems Ltd**  
Tel : +44 (0) 20 8391 8790  
[www.movawall.co.uk](http://www.movawall.co.uk)  
E-Mail : [Sales@movawall.co.uk](mailto:Sales@movawall.co.uk)  
**DRG. NO.: SL - 210**