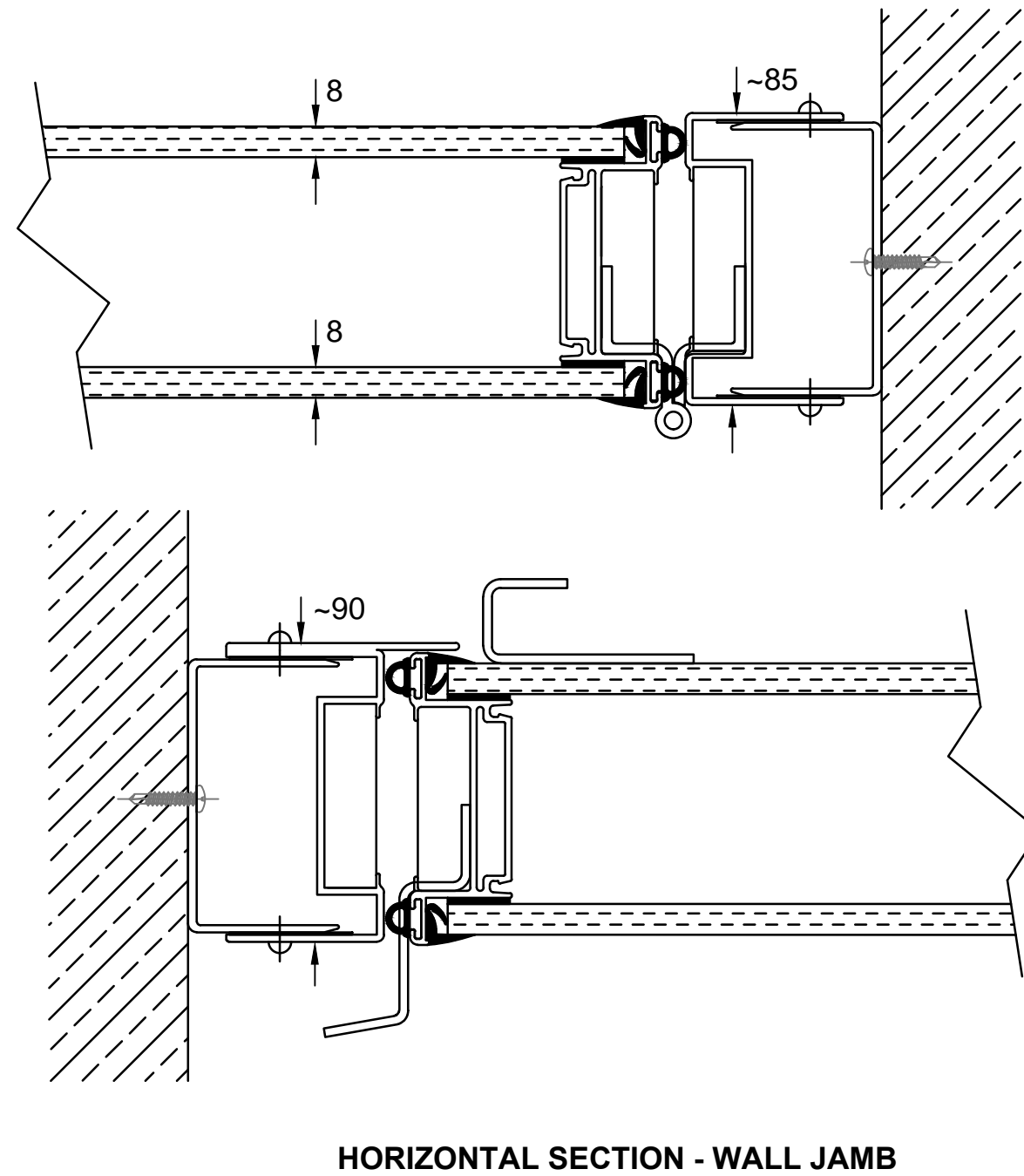
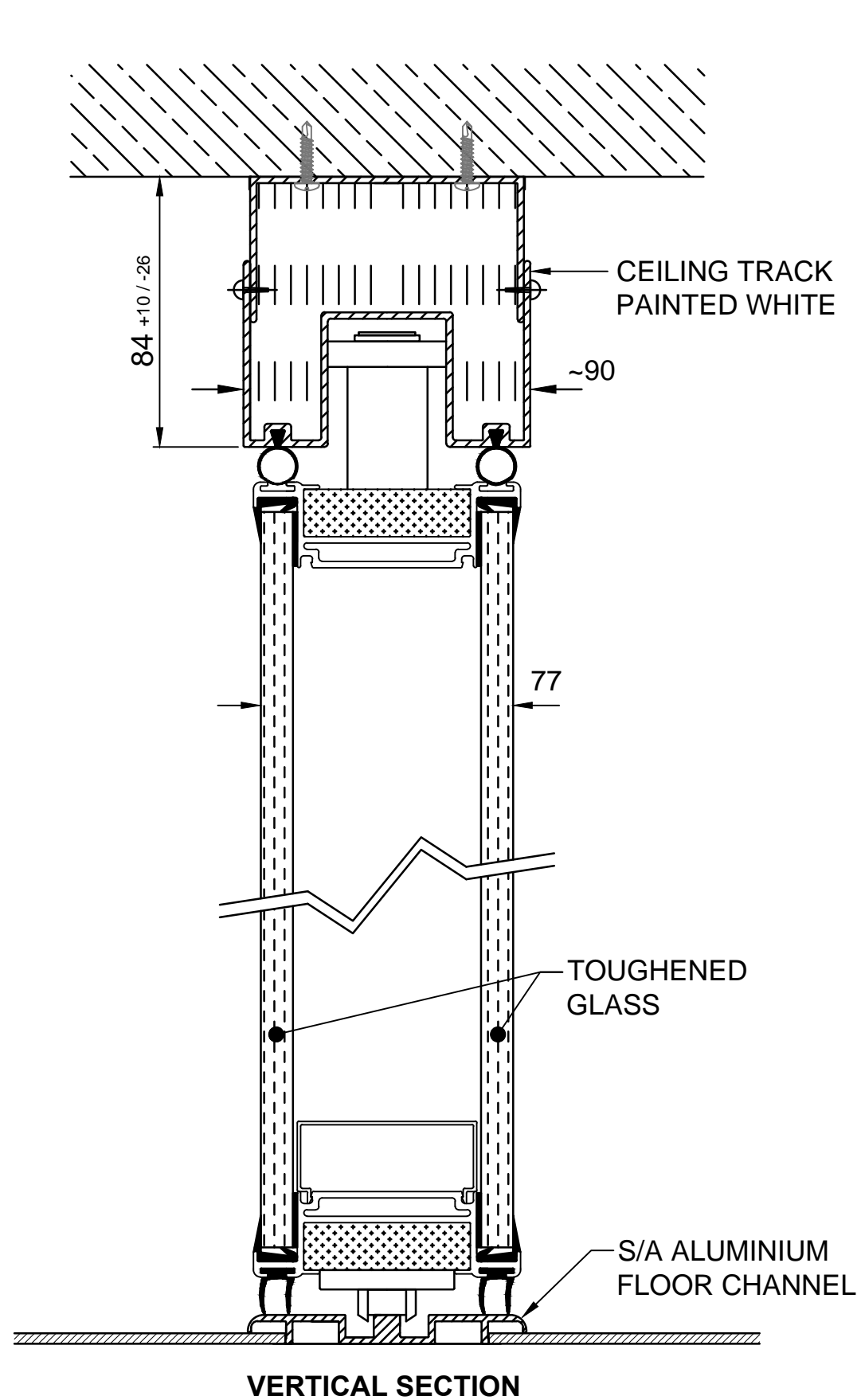


# PANEL DETAILS - TYPE G200 ACOUSTIC GLAZED FOLDING PARTITION



LONDON WALL  
**London Wall Design Ltd**  
 Tel : +44 (0) 20 8391 8750  
 www.londonwall.co.uk  
 E-Mail : Sales@londonwall.co.uk  
**DRG. NO.: SL - 210**