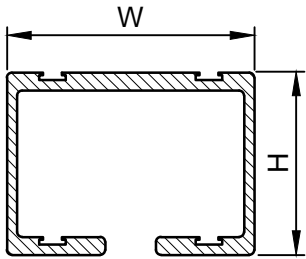
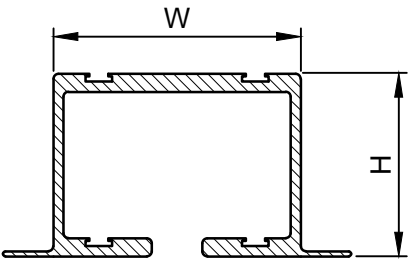


# CEILING TRACK & FIXING OPTIONS - TYPE 80

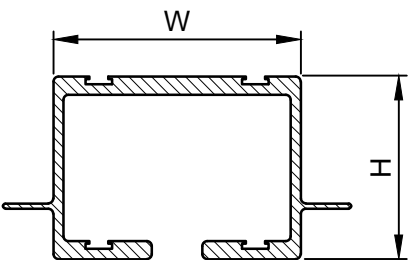
H	W	Material
72	98	Aluminium



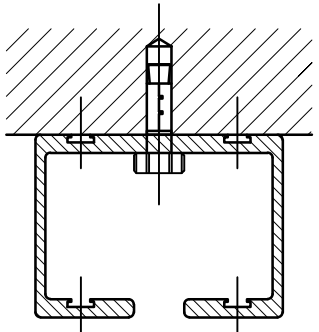
Aluminium track



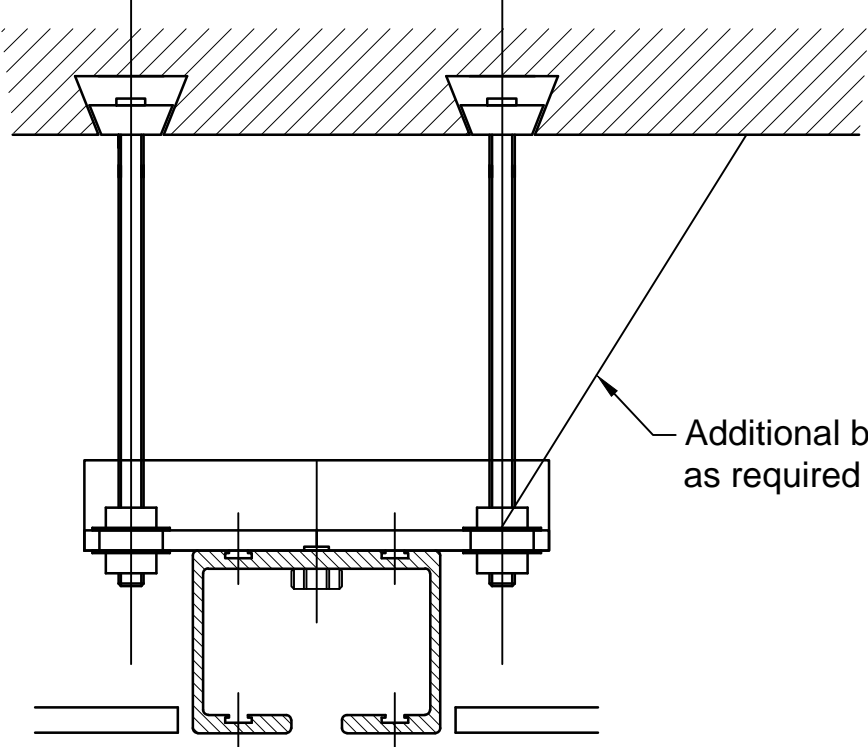
Aluminium track with ceiling support angle 'A'



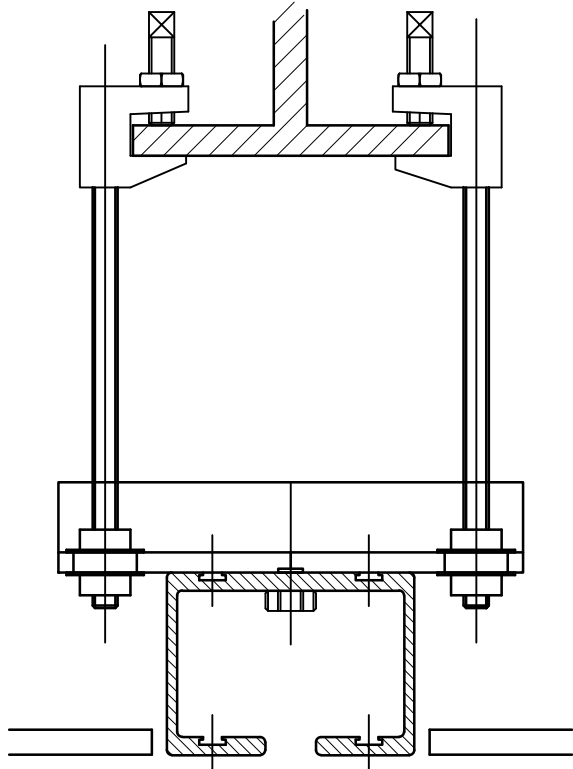
Aluminium track with ceiling support angle 'B'



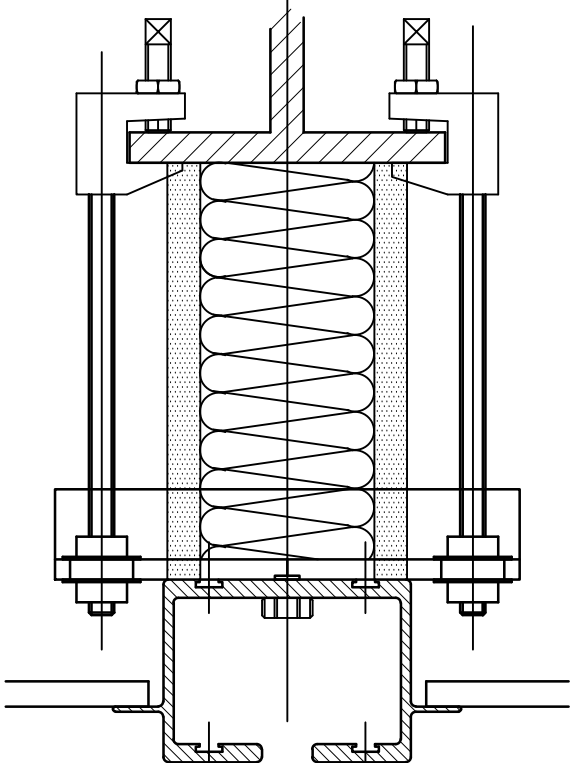
1. FIXED TO SOLID CONCRETE SOFFIT



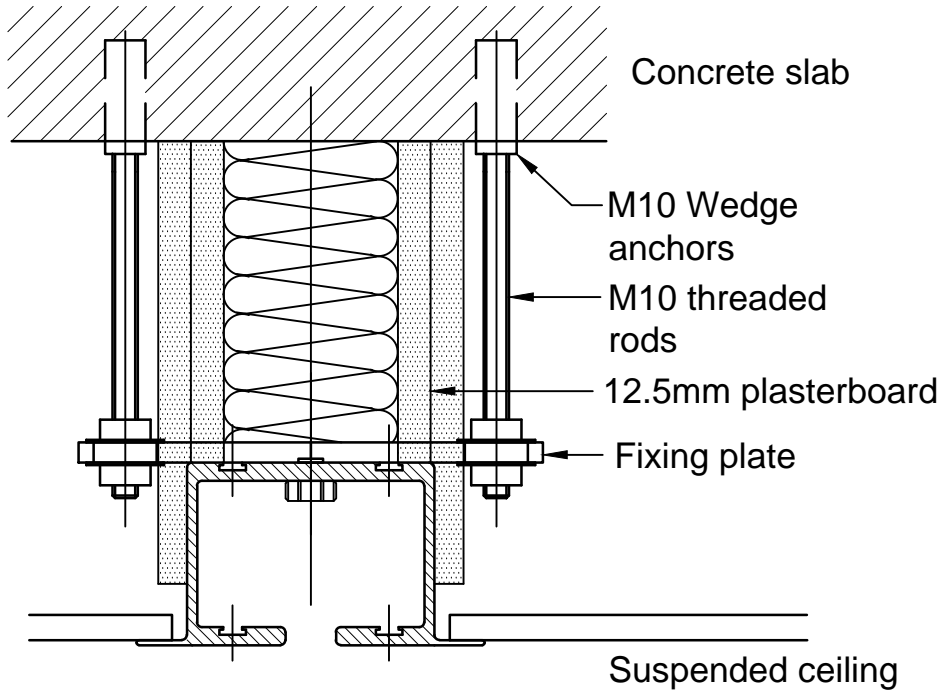
2. FIXED TO STRUCTURAL STEEL TRAY



3. FIXED TO STEEL BEAM USING 'LINDAPTER CLAMPS'



4. CEILING VOID Baffle 'E' track detail with angle 'B' and single skin baffle



5. CEILING VOID Baffle Fixed to solid concrete slab with double skin baffle for high level of sound reduction



**LONDON WALL**  
**London Wall Design Ltd**  
 Tel : +44 (0) 20 8391 8750  
 www.londonwall.co.uk  
 E-Mail : Sales@londonwall.co.uk  
**DRG. NO.: SL - 802**