



Supreme Retractable Loft Ladder...



...high-strength, durability & lightweight operation

The Supreme heavy-duty aluminium loft ladder is manufactured from quality die-cast aluminium alloy components for strength and light-weight operation. The wooden hatch box and insulated trapdoor provide excellent energy efficiency. The Supreme can be made-to-measure with a diverse range of options and accessories to best suit your needs.



Key benefits at a glance

- High strength, heavy duty.
- Load capacity of 200kg per step.
- Ease of use, requiring operating forces of less than 3kg.
- Space-saving retractable loft ladder for small ceiling openings.
- High energy efficiency of 0.58 W/m²K.
- Suitable for very high ceilings.
- Large steps for comfort and safety.
- Available in standard sizes or made-to-measure with a wide range of options and accessories.

Key features

Material:	Pressure die-cast aluminium
Operation:	Spring-assisted retractable ladder
Load capacity:	200kg per step
U-value:	0.58 W/m ² K
Air permeability:	Class 4 certified
Max floor-to-ceiling height:	4.6m
Quality:	Compliant to EN 14975 (DN 4570)
Warranty:	2-year full warranty and 10-year parts warranty



*Supreme heavy-duty aluminium
loft ladder with optional red
powder coat finish*

Overview

The Supreme heavy duty aluminium loft ladder is manufactured from high strength die-cast aluminium alloy components supplied complete with a laminated wooden hatch box and a 62mm thick sandwich construction insulated trapdoor. The heavy duty spring mechanism allows you to raise and lower the ladder with a minimum of effort (operating force of less than 3kg). Large steps and pre-assembled telescopic handrail offer comfort, safety and ease of egress.

Standard features

- Spring-assisted retractable (concertina) loft ladder
 - Easy to operate, requiring less than 3kg of force to open/close.
- Retractable ladder manufactured from pressure die-cast aluminium
 - Lightweight
 - Strength
 - Stability
 - Durability
- High strength, heavy duty loft ladder, with a load capacity of 200kg per step
- Supplied assembled in a hatch box with insulated trapdoor
 - Trapdoor supplied with a white finish to the underside
 - Standard hatch box height of 240mm, but can be specified for heights of up to 1170mm
 - Snap-lock closure mechanism
- High energy efficiency (U-value of 0.58 W/m²K, certified by IFT Rosenheim according to DIN EN 12207 / 12114)
 - Reducing loss of heat and lowering energy costs
- Class 4 air permeability certified
- Available in standard hatch sizes for floor-to-ceiling heights between 2200mm and 2790mm
- Can be made-to-measure to meet your exact dimensional requirements, for floor-to-ceiling heights of up to 4600mm (contact us for details)
- Large steps / treads for improved safety, comfort and ease of egress
 - Maximum stair width supplied to fit your floor-to-ceiling height and opening width
 - Step width ranges from 200mm (for a 525mm opening width) to 580mm (for opening widths of 915mm and over).
 - Step depth from 140mm (for steps up to 380mm wide) to 160mm (for steps between 430mm and 580mm wide)

Accessories

- WDL insulation and sealing tape for an airtight connection between the loft ladder hatch box and the building
- Retractable ladder powder-coated in RAL colour
- Additional telescopic handrail
- Security lock
- Protective railing for opening
- Top-operation kit



WDL insulation and sealing tape for an airtight connection between hatch box and ceiling

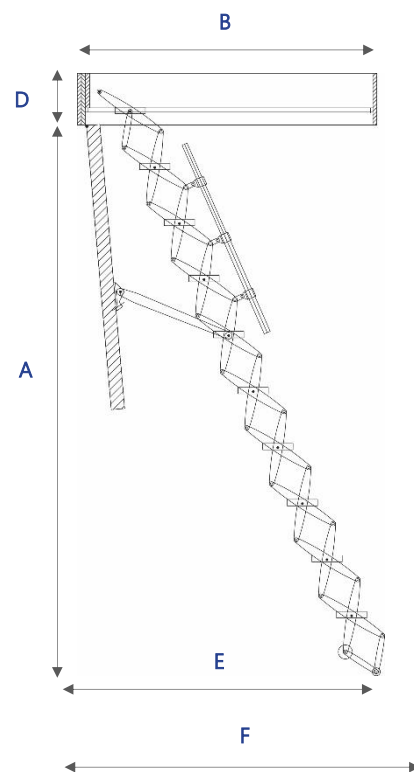
Dimensions

The Supreme is available in a range of standard dimensions:

Part number	A Floor-to-ceiling height (mm)	B Opening length (mm)	C Opening width (mm)	D Case height (mm)	E Set down point (mm)	F Swivel range * (mm)
SUP-2790-1200-600	2790	1200	600	240	1440	1520
SUP-2790-1200-700	2790	1200	700	240	1440	1520
SUP-2790-1300-700	2790	1300	700	240	1440	1520
SUP-2790-1400-700	2790	1400	700	240	1440	1520
SUP-3090-1200-600	3090	1200	600	240	1550	1640
SUP-3090-1200-700	3090	1200	700	240	1550	1640
SUP-3090-1300-700	3090	1300	700	240	1550	1640
SUP-3090-1400-700	3090	1400	700	240	1550	1640

* This is the required minimum clearance in front of the ladder to extend/retract.

If you have specific dimensional requirements, the Supreme is available made-to-measure for ceiling openings ranging between 750mm to 1600mm long and 525mm to 1200mm wide, and for floor-ceiling heights up to 4.6m. Please contact us for details and to arrange a quotation.



High-quality die-cast aluminium concertina loft ladder



Quality

The Supreme loft ladder is manufactured to EN 14975 (DN 4570).

Supplied with a 2-year full warranty and 10-year parts warranty.

E: sales@premierloftladders.co.uk

W: www.premierloftladders.co.uk

The
preferred
choice



Premier Loft Ladders Ltd

2 Dawson Drive, Trimley St Mary, Felixstowe Suffolk, UK

T: 0345 9000 195

E: sales@premierloftladders.co.uk

W: www.premierloftladders.co.uk