



UNION Aptus² Contract Mortice Lock Range



ASSA ABLOY

ASSA ABLOY, the global leader
in door opening solutions



ASSA ABLOY



Introducing the new Aptus² contract mortice lock range from UNION

UNION's new modular range of 72mm centre, Euro-profile mortice locks are specifically designed for the contract market, being quick and easy to install with an easily reversible latch and single piece forend.

In addition, the preformed strikes simplify and speed up installation, whilst the integrated anti-rattle feature enables fine tuning of the door and frame alignment.

The range includes a sashlock, deadlock, mortice latch and bathroom lock - all of which include a 5 year guarantee.

The Aptus² range is ideal for large contract applications where performance, installation cost and timescales are all of crucial importance.

Practical, stylish and affordable - with the quality and reliability you would expect from the leaders in mortice locks.



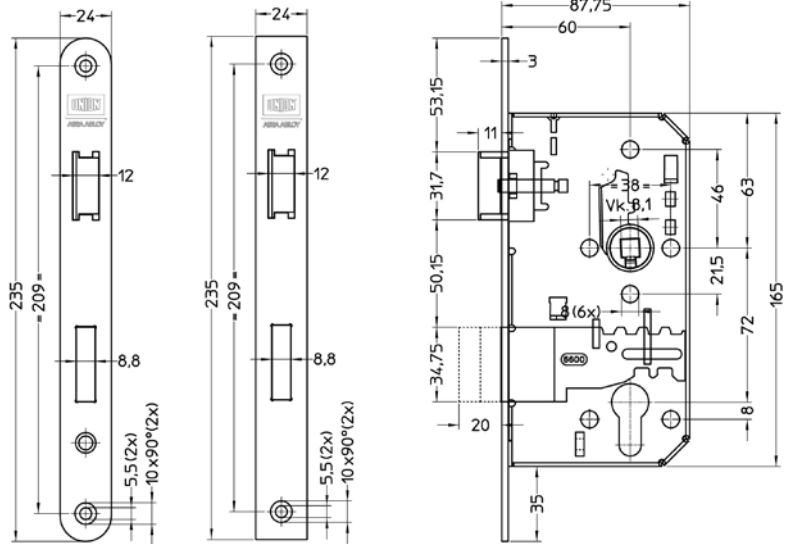
Features and benefits

60mm backset	Satisfies the recommendations of BS8300 and Approved Document M
Modular range of lockcases	For quicker and easier door preparation
Single piece forend	For quick and easy installation
Quick reversible latch	Easy on-site handing with no need to open the case
Adjustable strike	For improved performance
Sprung latch	Suitable for use with unsprung furniture
Profiled latch bolt	Provides smooth and positive operation
Spindle grip feature	Reduces rattle and provides a secure grip of spindle for positive operation
Positive 1° follower angle	Helps maintain the appearance of the door furniture over time by reducing lever droop
Cylinder to latch functionality	Latch and deadbolt can both be withdrawn by thumbturn or cylinder key
Square or radius forend and strike	Choice for either onsite or factory fitting with CNC machinery
Matching satin stainless steel forend and strike	Complements contemporary interior
Pierced through cases	Accepts bolt through furniture and escutcheons with 38mm centres
Fully tested to EN 12209	CE Marked

Technical Data



Sashlock



Tested to BS EN 12209:2003

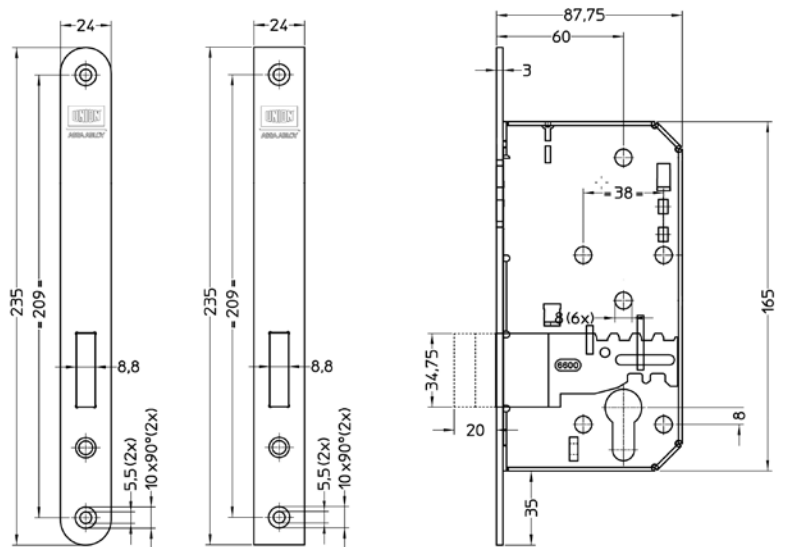
2	M	4	1	0	F	2	B	C	2	0
---	---	---	---	---	---	---	---	---	---	---

JL2B21S-SS60 Euro Profile cylinder mortice sashlock - square

JL2B21R-SS60 Euro Profile cylinder mortice sashlock - radius



Deadlock



Tested to BS EN 12209:2003

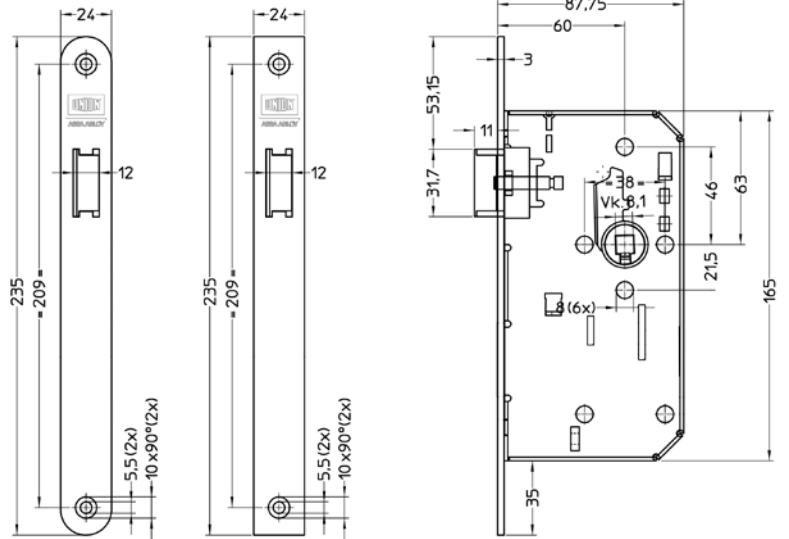
2	M	4	1	0	F	2	C	0	0
---	---	---	---	---	---	---	---	---	---

JL2B22S-SS60 Euro Profile cylinder mortice deadlock - square

JL2B22R-SS60 Euro Profile cylinder mortice deadlock - radius



Mortice Latch



Tested to BS EN 12209:2003

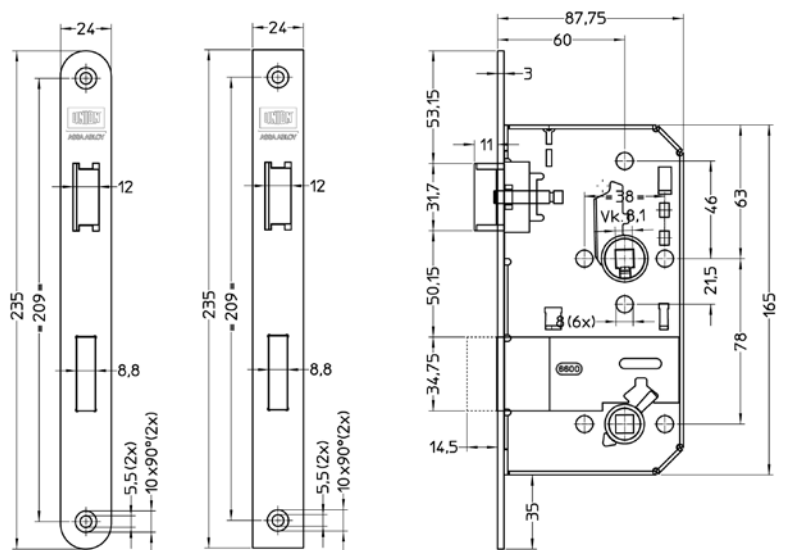
2	M	4	1	0	F	2	B	0	2	0
---	---	---	---	---	---	---	---	---	---	---

J2B23S-SS60 Mortice latch - square

J2B23R-SS60 Mortice latch - radius



Bathroom Lock



Tested to BS EN 12209:2003

2	M	4	1	0	F	2	B	G	2	0
---	---	---	---	---	---	---	---	---	---	---

J2B27S-SS60 Mortice bathroom lock - square

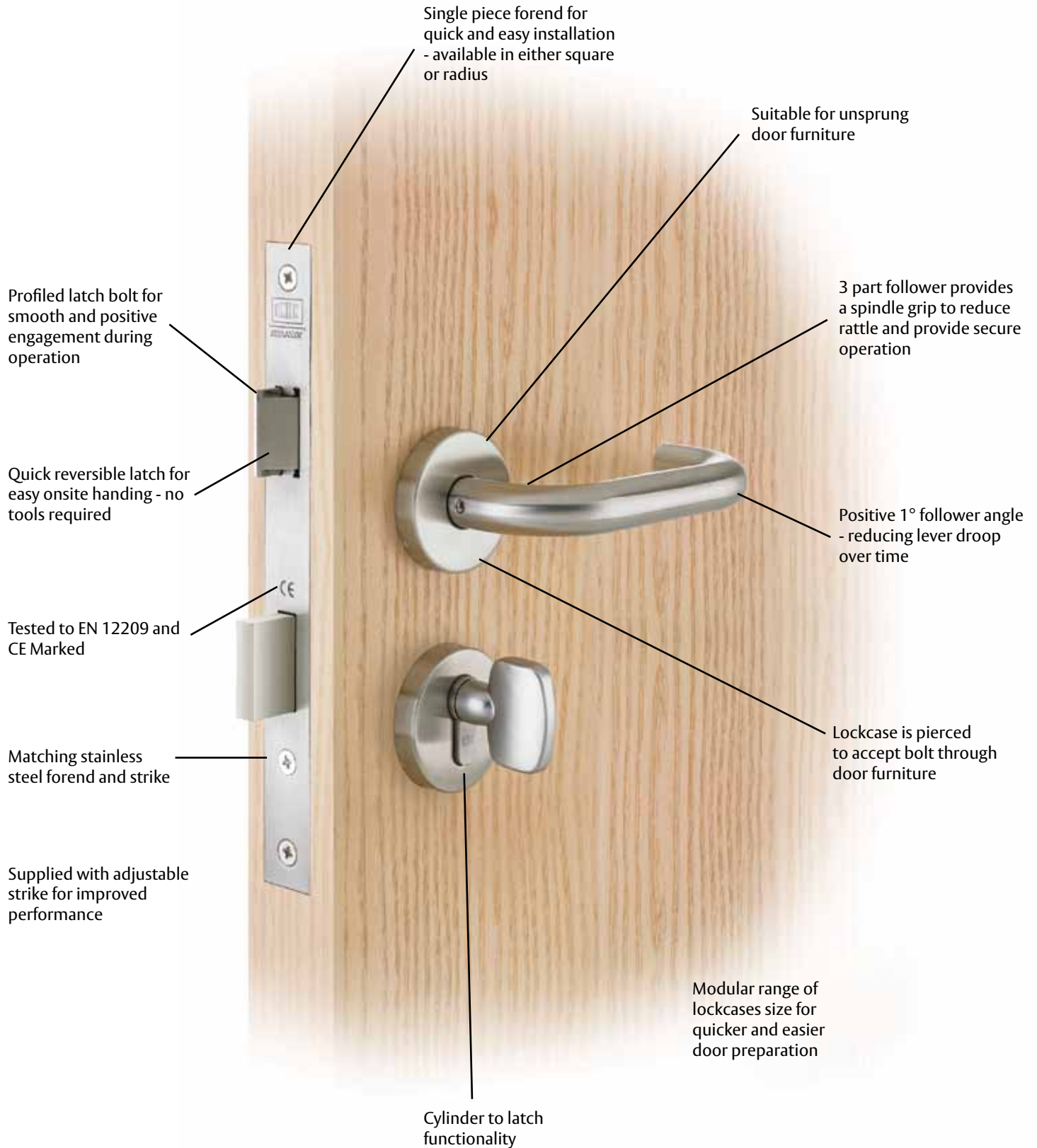
J2B27R-SS60 Mortice bathroom lock - radius

Bathroom follower is 8mm and is supplied with a 5mm adaptor to allow turn and release with either 8mm or 5mm spindles.



ASSA ABLOY

Aptus 2



ASSA ABLOY is the global leader in door opening solutions, dedicated to satisfying end-user needs for security, safety and convenience.

ASSA ABLOY is represented in all major regions, in both mature and emerging markets, with leading positions in Australia, Europe and North America.

As the world's leading lock group, ASSA ABLOY offers a more complete product range of door opening solutions than any other company on the market.

UNION
School Street
Willenhall
WV13 3PW
Tel: 0845 223 2124
Fax: 0845 223 2125
Email: info@uniononline.co.uk
Web: www.uniononline.co.uk