

VetroMount

All-glass balustrade system



VetroMount – Revolutionary technology for glass balustrades

Glass balustrade systems convey highest transparency both in interior and exterior areas. Mounting should be safe and as intuitive, efficient and time-saving as possible.

Thanks to a patented safety mechanism and only a few fixing points for top mount installations, the tested VetroMount balustrade system from Bohle meets these requirements exactly: Its fixing is 100% safe and the system is very easy and cost-efficient to mount at the same time.

QUICK. SIMPLE. SAFE.

- Top and side mount in interior and exterior applications
- Simple installation of large panes
- Glass thicknesses up to 21.52 mm
- Installation with and without cover profiles
- Full installation can be done comfortably from the inside (opposite the fall side)
- Finishes: aluminum-coloured and stainless steel look
- LED illumination can be integrated optionally
- Also suitable for small panes from a width of 300 mm
- Tested system



AbP



BS 6180

Certified safety
Geprüfte Sicherheit



VERROTEC

RPF14

How to Order

You can configure your balustrade system in 4 simple steps:

1 Base profile

Top mount	P. 13
Side mount	P. 19

2 Cover profile

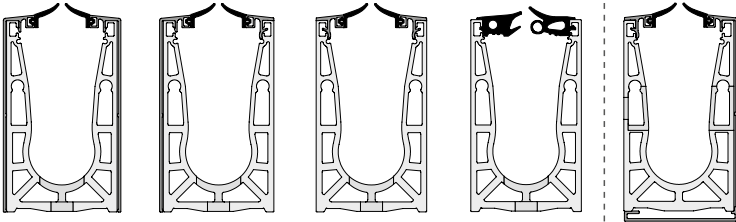
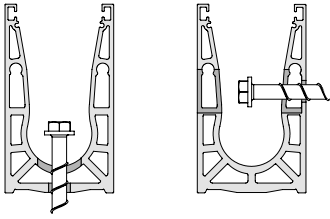
for Top mount	P. 14
for Side mount	P. 20

3 Mounting Kit

for Top mount	P. 16
for Side mount	P. 22

4 Accessories

End Caps for Top mount	P. 24
End Caps for Side mount	P. 25
Mounting & positioning aids	P. 26
Concrete screws & connecting pins	P. 27
Handrails	P. 28





Modern appearance and timeless design

In modern architecture, glass is a timeless alternative to traditional materials, such as metal or wood. Stairs or a maisonette with glass balustrades add a touch of elegance to any space.

The VetroMount balustrade system's appeal lies in its clear lines and unobtrusive construction, giving a feeling of space and openness.

VetroMount is suitable for both top and side mounting. Even in situations that require the highest safety standards, top mounted installations only require a few fixing points. A simple concrete screw is needed just once every 400 mm. Stainless steel screws are used in exterior applications and zinc-plated screws in interior settings.

A screw every 200 mm is needed for side mounting.

The profiles come with pre-drilled holes every 200 mm.



OUR RECOMMENDATION

For top mount installations, simple concrete screws are only required every 400 mm instead of every 200 mm as with many comparable systems. That saves both time and money.



Clear lines thanks to the cover profile

An optional cover profile with a slimline rubber provides clear lines. The cover profile is available in aluminium-coloured and stainless steel look finishes.

Suitable cover profiles are available both for top and for side mount installations. They are complemented by optional end caps. As a result, the profile is both simply and beautifully clad, a clear benefit for any building.





Pre-assembled glass bearing units

There is nothing simpler. With VetroMount, no single parts need to be assembled for the safety mechanism. The completely pre-assembled glass bearing units are simply inserted into the profile and the glass is put in afterwards.

Depending on the glass size, four to five glass bearings are required per metre of balustrade system*.

PULL STRAP

The pull strap serves to safely fix the two tensioning wedges.

TENSIONING WEDGES

The tensioning wedges anchor the glass in the profile.

SHIMS

The different colour-coded shims are pre-assembled for glass panes ranging from 12 mm to 21.52 mm.

CLAMPING WEDGES

The clamping wedges join the glass with the glass bearing.

LED CHANNEL

The channel can be used for indirect LED illumination of the glass (12 x 3 mm / for a glass thickness of 12.76 & 13.52 mm: 7 x 3 mm)



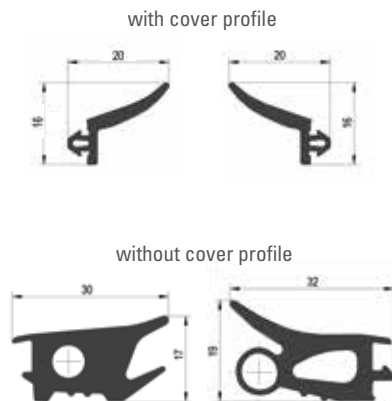
*For country-specific approvals, see www.bohle.com

Suitable mounting sets for all glass thicknesses

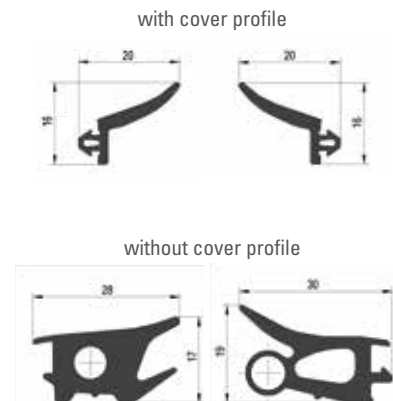
The mounting sets consist of pre-assembled glass bearing units and two rubber seals each. Depending on the profile length, the set contains 13 glass bearings for 2,500 mm and 26 glass bearings for 5,000 mm. Glass bearings and rubber seals are always optimally suited to each other.

The rubber profiles differ considerably from each other in their structure – depending on whether the balustrade system is mounted with or without cover profile. As for the glass bearings, colour-coded shims facilitate assigning them to the corresponding glass thicknesses.

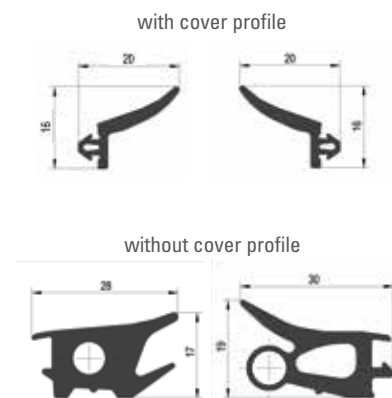
12, 12.76 mm & 13.52 mm



15 mm



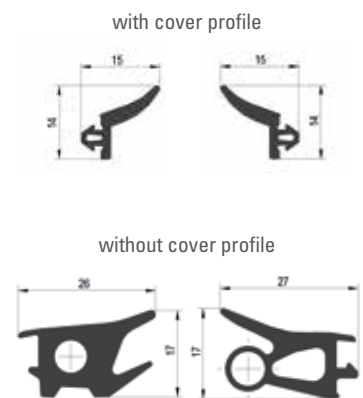
16.76 mm & 17.52 mm



19 mm



20.76 mm & 21.52 mm



Simple and tool-free adjustment

Once the glass is inserted into the glass bearing, two clamping wedges serve to safely anchor the pane in the bearing. The clamping wedges are simply locked into place.

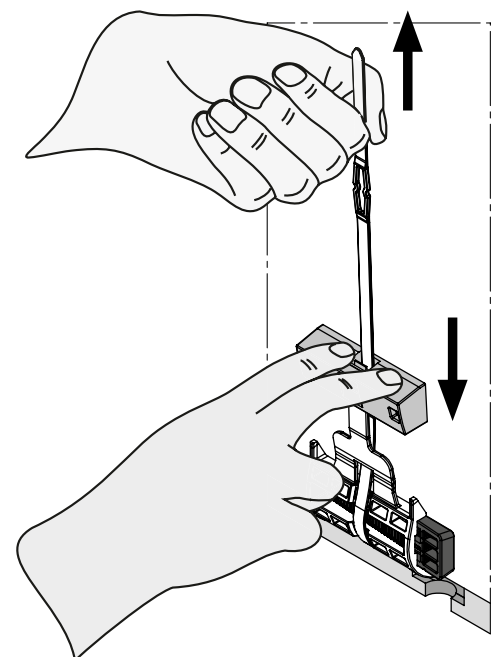
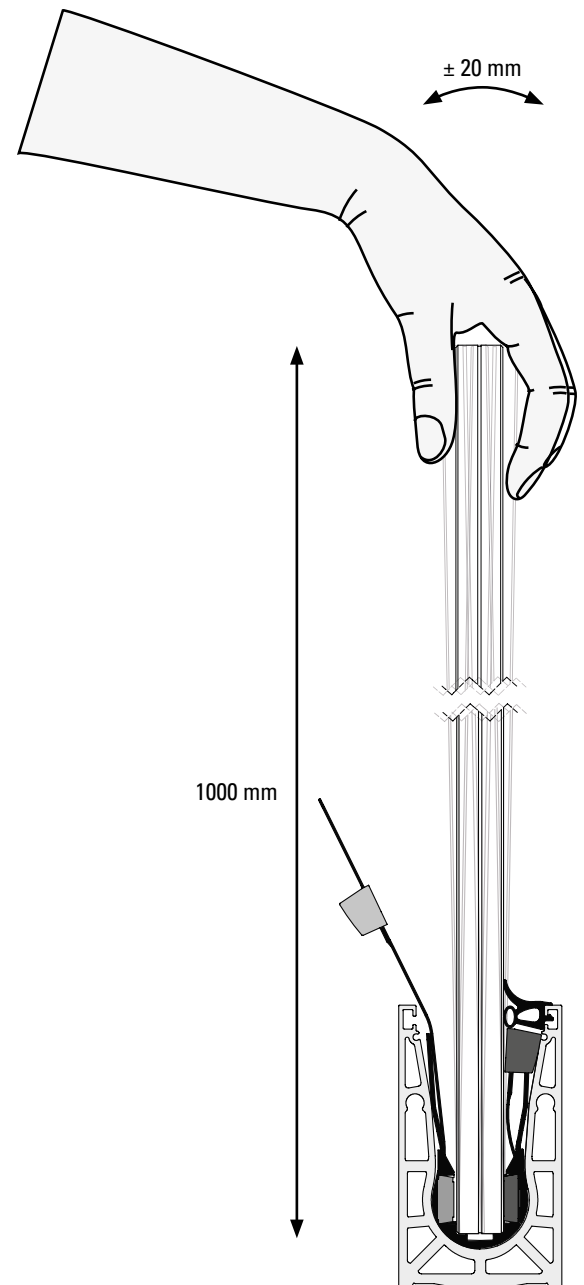
Afterwards, the pane can be adjusted manually and without any tools by just one person. Like a hinge joint, the glass bearings move back and forth simultaneously inside the profile.

The adjustment does not require much effort but is particularly precise and efficient as it can be carried out conveniently by hand. This saves a lot of work and time, particularly when it comes to large glass panes.

Safely anchored in the profile with one single manipulation

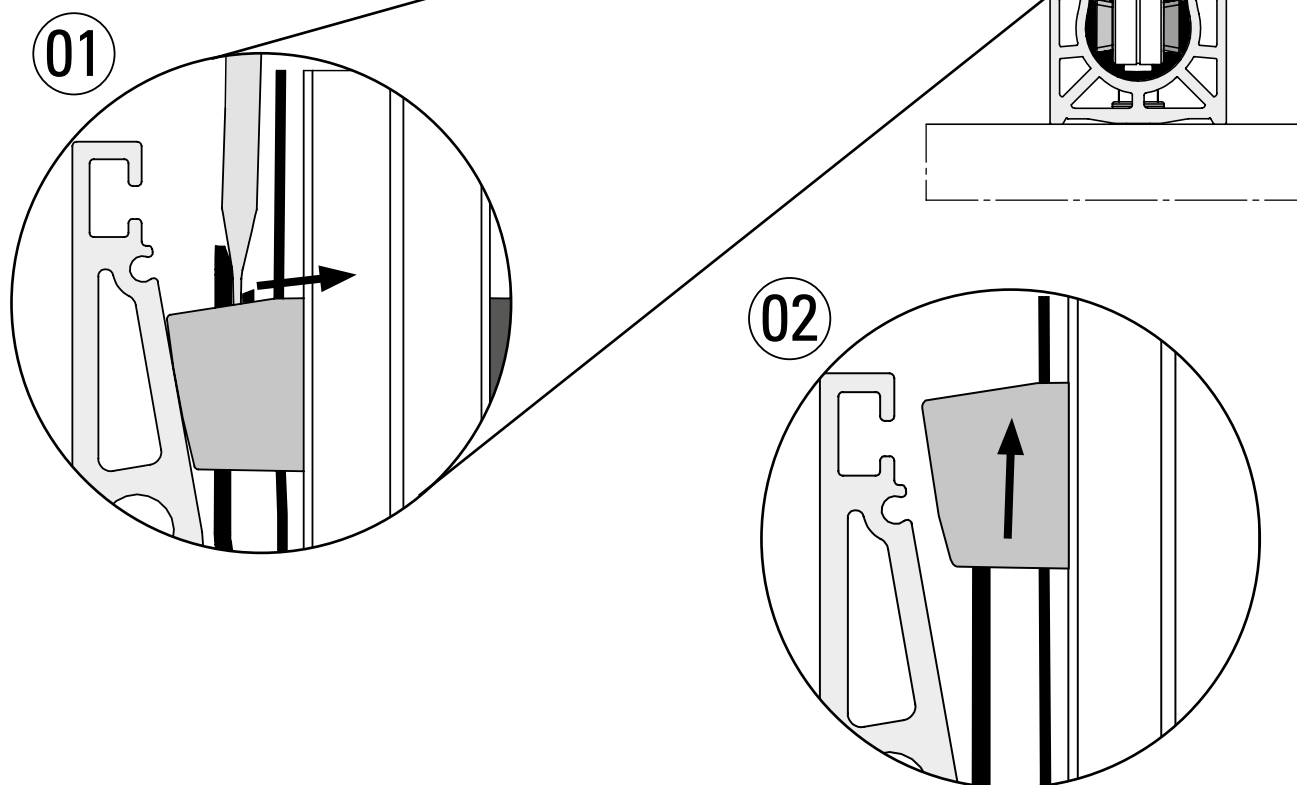
Once the glass panes have been aligned towards each other, the tensioning wedges come into play. They are connected to each other by a pull strap and can be tightened in the glass bearing with one simple step. Even at this stage tools are not required: The tensioning wedge is simply pressed down manually on the mounting side while pulling the pull strap simultaneously. This tightens the wedge on the fall side.

Both tensioning wedges lock into place and can be fixed tightly so that the pane becomes safely attached to the profile. Due to the pull strap principle with latching mechanism, both tensioning wedges cannot become loose on their own.



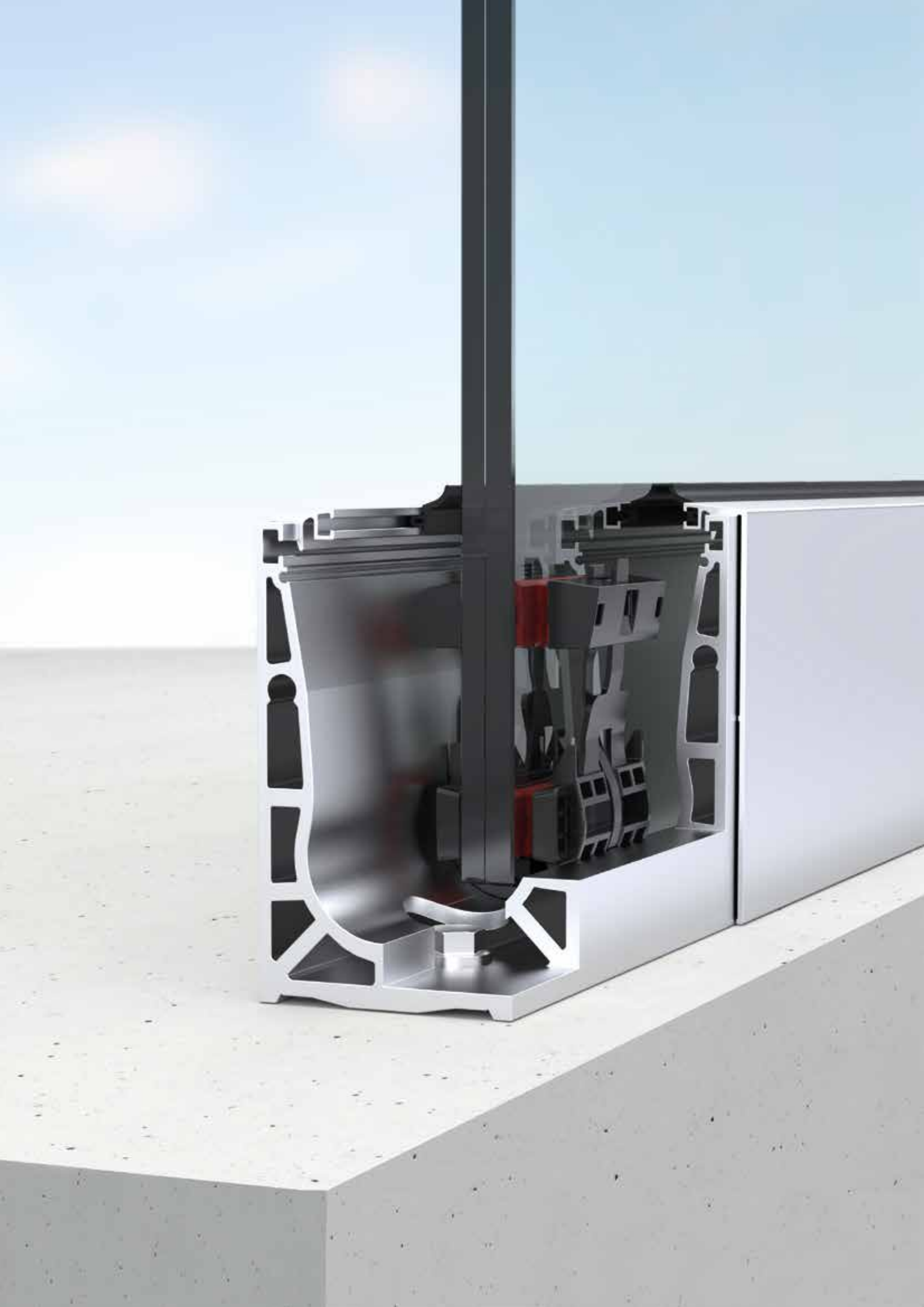
Quickly disassembles for glass replacement

If a glass pane needs to be replaced, this is easily achieved with VetroMount. A clever loosening mechanism enables easy disassembly in case of damage. By pressing down the integrated release mechanism, the inner tensioning wedge can easily be unlocked and loosened. Subsequently, the clamping wedges are also pressed down, and the glass pane can be taken out in one piece.



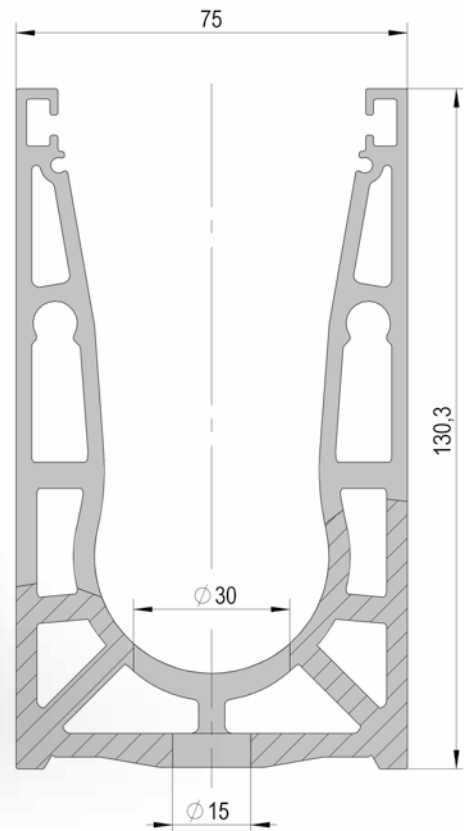
Benefits at a glance

- Three intuitive steps towards the perfect balustrade system: insert, adjust, fix
- Simple, time- and cost-effective installation
- Revolutionary glass bearing units with patented safety mechanism
- Complete glass bearing units, no single parts, already prepared for installation
- Fine alignment of glass panes without tools
- Efficient and cost-effective: Fewer fixing points, larger distances between drill holes (every 400 mm for top mount installations) mean fewer bore holes are required. Simple concrete screws (ETA approval) are sufficient.
- Quick disassembly for any adjustment or replacement. The entire pane and the glass bearings can be disassembled without any damage.



Top Mount Profile

1



Glass sits 105 mm into profile

i Glass thickness 12mm - 21.52mm · Rail load 0.74kN · Suitable for interior and exterior applications · tested to BS 6180 · Installation with and without cover profiles

LENGTH	ART. NO.
2500 mm	BO 5403008
5000 mm	BO 5403010
Mounting	Top mount
Material	aluminium
Finish	aluminium-coloured anodised E6/CO



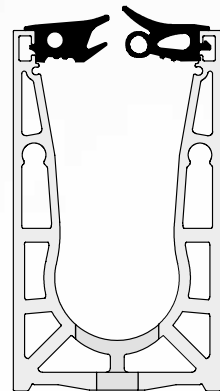
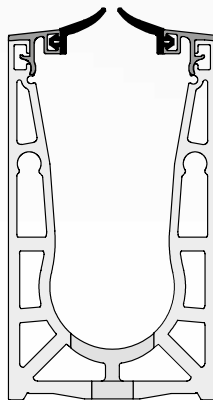
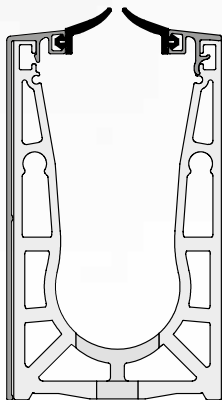
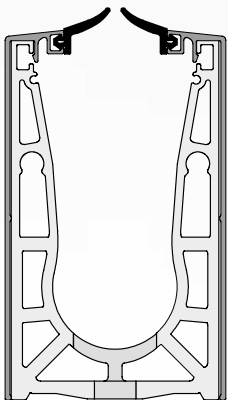
Top mount with Cover Profile

Top mount with Cover Profile

2 x Side cover profile

1 x Side cover profile &
1 x Top cover profile

2 x Top cover profile



Cover Profile for Top Mount

2

VetroMount Side Cover Profile



LENGTH · FINISH ART. NO.

2500 mm · aluminium-coloured anodised E6/CO BO 5403012

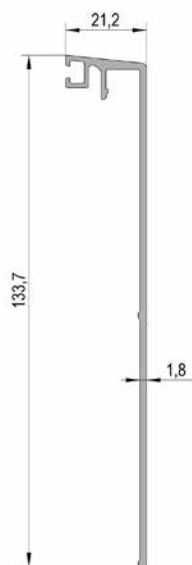
2500 mm · stainless steel look BO 5403013

5000 mm · aluminium-coloured anodised E6/CO BO 5403014

5000 mm · stainless steel look BO 5403015

Mounting Top mount

Material aluminium



i for top mounted profile

VetroMount Top Cover Profile



LENGTH · FINISH ART. NO.

2500 mm · aluminium-coloured anodised E6/CO BO 5403016

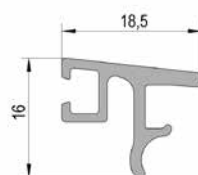
2500 mm · stainless steel look BO 5403017

5000 mm · aluminium-coloured anodised E6/CO BO 5403018

5000 mm · stainless steel look BO 5403019

Mounting Top mount · Side mount

Material aluminium



i for top and side mounted profile

Mounting Kit for Cover Profile

3

VetroMount Mounting Kit for Cover Profile 2500 mm



DESCRIPTION	ART. NO.	
for glass thickness 12 - 12.76 mm	BO 5403068	Yellow
for glass thickness 13.52 mm	BO 5403070	Yellow
for glass thickness 15 mm	BO 5403072	Green
for glass thickness 16.76 mm	BO 5403074	Red
for glass thickness 17.52 mm	BO 5403076	Red
for glass thickness 19 mm	BO 5403078	Grey
for glass thickness 20.76 mm	BO 5403080	Black
for glass thickness 21.52 mm	BO 5403082	Black
Mounting	Top mount · Side mount	
Length	2500 mm	

i for use with top mounted profile with covers - narrow rubber profile - suitable for interior and exterior applications

SCOPE OF DELIVERY:

- 1x Glass bearing kit consisting of 13 glass bearings
- 2x Rubber seal 2500 mm for Cover Profiles

VetroMount Mounting Kit for Cover Profile 5000 mm



DESCRIPTION	ART. NO.	
for glass thickness 12 - 12.76 mm	BO 5403069	Yellow
for glass thickness 13.52 mm	BO 5403071	Yellow
for glass thickness 15 mm	BO 5403073	Green
for glass thickness 16.76 mm	BO 5403075	Red
for glass thickness 17.52 mm	BO 5403077	Red
for glass thickness 19 mm	BO 5403079	Grey
for glass thickness 20.76 mm	BO 5403081	Black
for glass thickness 21.52 mm	BO 5403083	Black
Mounting	Top mount · Side mount	
Length	5000 mm	

i for use with top mounted profile with covers - narrow rubber profile - suitable for interior and exterior applications

SCOPE OF DELIVERY:

- 1x Glass bearing kit consisting of 26 glass bearings
- 2x Rubber seal 5000 mm for Cover Profiles

Mounting Kit without Cover Profile

3

VetroMount Mounting Kit without Cover Profile 2500 mm



DESCRIPTION	ART. NO.	
for glass thickness 12 - 12.76 mm	BO 5403084	Yellow
for glass thickness 13.52 mm	BO 5403086	Yellow
for glass thickness 15 mm	BO 5403088	Green
for glass thickness 16.76 mm	BO 5403090	Red
for glass thickness 17.52 mm	BO 5403092	Red
for glass thickness 19 mm	BO 5403094	Grey
for glass thickness 20.76 mm	BO 5403096	Black
for glass thickness 21.52 mm	BO 5403098	Black
Mounting	Top mount	
Length	2500 mm	

i for use with top mounted profile without covers · suitable for interior and exterior applications

SCOPE OF DELIVERY:

- 1x Glass bearing kit consisting of 13 glass bearings
- 1x Inside rubber seal 2500mm for use without Cover Profiles
- 1x Outside rubber seal 2500mm for use without Cover Profiles

VetroMount Mounting Kit without Cover Profile 5000 mm



DESCRIPTION	ART. NO.	
for glass thickness 12 - 12.76 mm	BO 5403085	Yellow
for glass thickness 13.52 mm	BO 5403087	Yellow
for glass thickness 15 mm	BO 5403089	Green
for glass thickness 16.76 mm	BO 5403091	Red
for glass thickness 17.52 mm	BO 5403093	Red
for glass thickness 19 mm	BO 5403095	Grey
for glass thickness 20.76 mm	BO 5403097	Black
for glass thickness 21.52 mm	BO 5403099	Black
Mounting	Top mount	
Length	5000 mm	

i for use with top mounted profile without covers · suitable for interior and exterior applications

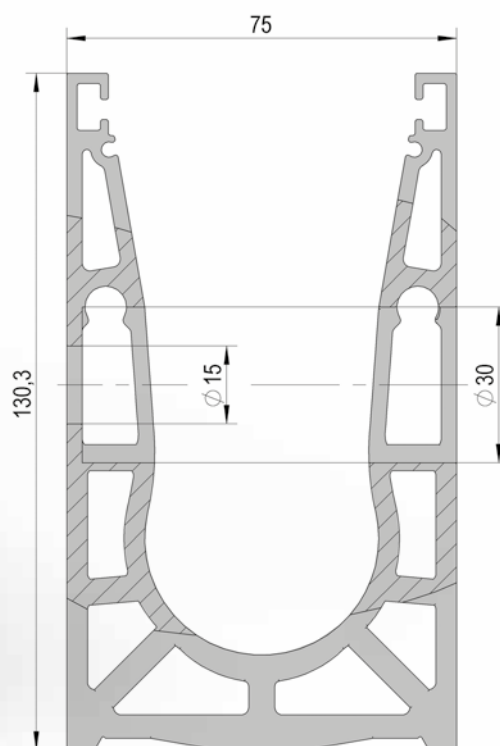
SCOPE OF DELIVERY:

- 1x Glass bearing kit consisting of 26 glass bearings
- 1x Inside rubber seal 2500mm for use without Cover Profiles
- 1x Outside rubber seal 2500mm for use without Cover Profiles



Side Mount Profile

1



Glass sits 105 mm into profile

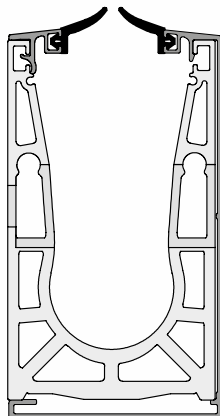
i Glass thickness 12mm - 21.52mm · Rail load 0.74kN · Suitable for interior and exterior applications · tested to BS 6180 · Installation with cover profiles

LENGTH	ART. NO.
2500 mm	BO 5403009
5000 mm	BO 5403011
Mounting	Side mount
Material	aluminium
Finish	aluminium-coloured anodised E6/CO



Side Mount with Cover Profiles

1 x Full cover profile & 1 x Top cover profile



Cover Profiles for Side Mount

2

VetroMount Full Cover Profile



LENGTH · FINISH

ART. NO.

2500 mm · aluminium-coloured anodised E6/CO BO 5403004

2500 mm · stainless steel look BO 5403005

5000 mm · aluminium-coloured anodised E6/CO BO 5403006

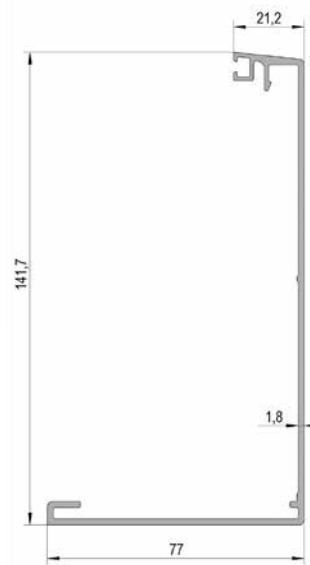
5000 mm · stainless steel look BO 5403007

Mounting

Side mount

Material

aluminium



i for side mounted profile

VetroMount Top Cover Profile



LENGTH · FINISH

ART. NO.

2500 mm · aluminium-coloured anodised E6/CO BO 5403016

2500 mm · stainless steel look BO 5403017

5000 mm · aluminium-coloured anodised E6/CO BO 5403018

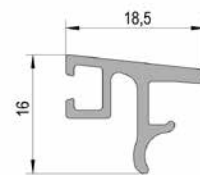
5000 mm · stainless steel look BO 5403019

Mounting

Top mount · Side mount

Material

aluminium



i for top and side mounted profiles

Mounting Kit for Cover Profile

3

VetroMount Mounting Kit for Cover Profile 2500 mm



DESCRIPTION	ART. NO.	
for glass thickness 12 - 12.76 mm	BO 5403068	Yellow
for glass thickness 13.52 mm	BO 5403070	Yellow
for glass thickness 15 mm	BO 5403072	Green
for glass thickness 16.76 mm	BO 5403074	Red
for glass thickness 17.52 mm	BO 5403076	Red
for glass thickness 19 mm	BO 5403078	Grey
for glass thickness 20.76 mm	BO 5403080	Black
for glass thickness 21.52 mm	BO 5403082	Black
Mounting	Top mount · Side mount	
Length	2500 mm	

i for use with top mounted profile with covers - narrow rubber profile - suitable for interior and exterior applications

SCOPE OF DELIVERY:

- 1x Glass bearing kit consisting of 13 glass bearings
- 2x Rubber seal 2500 mm for Cover Profiles

VetroMount Mounting Kit for Cover Profile 5000 mm



DESCRIPTION	ART. NO.	
for glass thickness 12 - 12.76 mm	BO 5403069	Yellow
for glass thickness 13.52 mm	BO 5403071	Yellow
for glass thickness 15 mm	BO 5403073	Green
for glass thickness 16.76 mm	BO 5403075	Red
for glass thickness 17.52 mm	BO 5403077	Red
for glass thickness 19 mm	BO 5403079	Grey
for glass thickness 20.76 mm	BO 5403081	Black
for glass thickness 21.52 mm	BO 5403083	Black
Mounting	Top mount · Side mount	
Length	5000 mm	

i for use with top mounted profile with covers - narrow rubber profile - suitable for interior and exterior applications

SCOPE OF DELIVERY:

- 1x Glass bearing kit consisting of 26 glass bearings
- 2x Rubber seal 5000 mm for Cover Profiles

VetroMount End Cap Top Mount with Cover Profile



DESCRIPTION - FINISH	ART. NO.
for top mount with cover · stainless steel look	BO 5403110
for top mount with cover · aluminium-coloured anodised E6/C0	BO 5403111
Mounting	Top mount
Material	aluminium



i Mounting bolts are included in the kit · easy plug-on and removal of the end caps

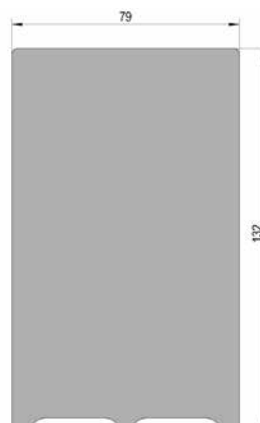
SCOPE OF DELIVERY:

- 1x End Cap
- 2x Mounting bolts

VetroMount End Cap Top Mount without Cover Profile



DESCRIPTION - FINISH	ART. NO.
for top mount without cover · stainless steel look	BO 5403108
for top mount without cover · aluminium-coloured anodised E6/C0	BO 5403109
Mounting	Top mount
Material	aluminium



i Mounting bolts are included in the kit · easy plug-on and removal of the end caps

SCOPE OF DELIVERY:

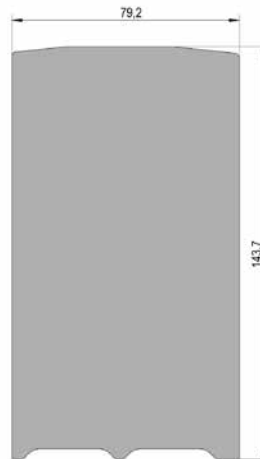
- 1x End Cap
- 2x Mounting bolts

VetroMount End Cap Side Mount with Cover Profile



DESCRIPTION · FINISH	ART. NO.
for side mount with cover, left · stainless steel look	BO 5403100
for side mount with cover, left · aluminium-coloured anodised E6/C0	BO 5403101
for side mount with cover, right · stainless steel look	BO 5403102
for side mount with cover, right · aluminium-coloured anodised E6/C0	BO 5403103

Mounting	Side mount
Material	aluminium



i Mounting bolts are included in the kit · easy plug-on and removal of the end caps

SCOPE OF DELIVERY:

1x	End Cap
2x	Mounting bolts

VetroMount End Cap Staircase with Cover Profile



DESCRIPTION · FINISH	ART. NO.
for staircases, left · stainless steel look	BO 5403104
for staircases, left · aluminium-coloured anodised E6/C0	BO 5403105
for staircases, right · stainless steel look	BO 5403106
for staircases, right · aluminium-coloured anodised E6/C0	BO 5403107

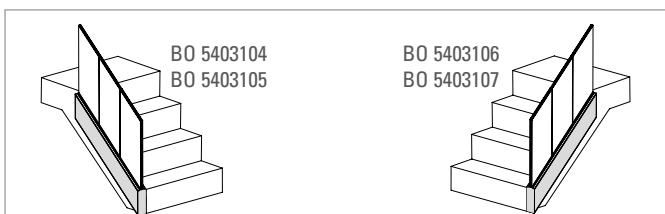
Mounting	Side mount
Material	aluminium



i height-adjustable

SCOPE OF DELIVERY:

1x	End Cap
----	---------



VetroMount Mounting Aid

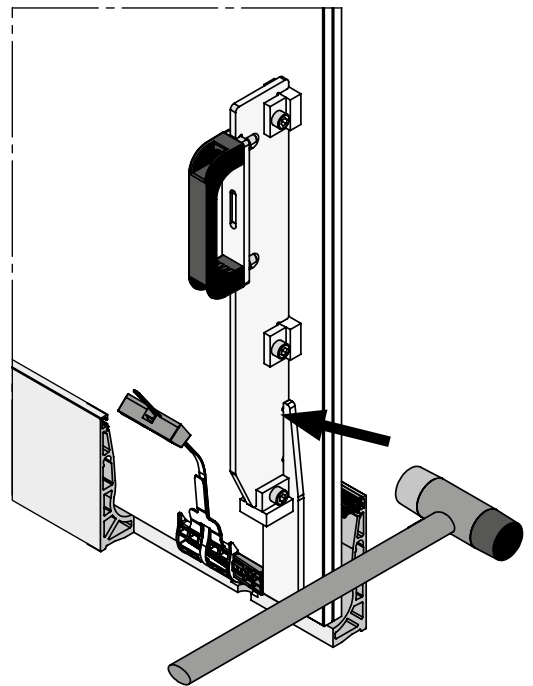


DESCRIPTION

ART. NO.

Mounting Aid

BO 5403112



i for fixing the clamping wedges of the glass bearings

VetroMount Stopper for Staircase

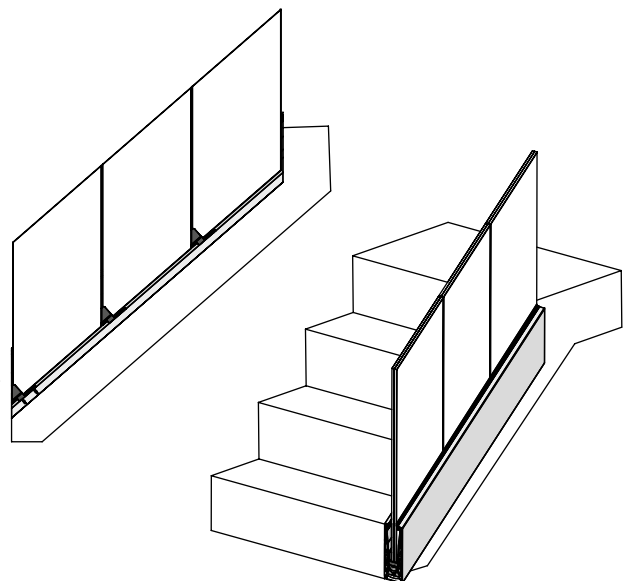


DESCRIPTION

ART. NO.

Positioning aid

BO 5403114



i Positioning aid for angled mounting, e.g. for staircases

SCOPE OF DELIVERY:

- 1x Stopper for Staircase
- 2x Fillister head self-tapping screw 3.5 x 13 mm

Hilti Concrete Screw

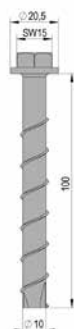


DESCRIPTION · LENGTH · MATERIAL

ART. NO.

Hilti HUS3-H · 100 mm · Galvanised steel

BO 5211160



i Drill diameter 10 mm · with hexagon head · for fastening in concrete · ETA approval · for internal applications · Packing unit 50 pc

Hilti Concrete Screw



DESCRIPTION · LENGTH · MATERIAL

ART. NO.

Hilti HUS-HR · 105 mm · stainless steel V4A

BO 5211161



i Drill diameter 10 mm · with hexagon head · for fastening in concrete · ETA approval · for external applications · Packing unit 25 pc

VetroMount Connecting Pins

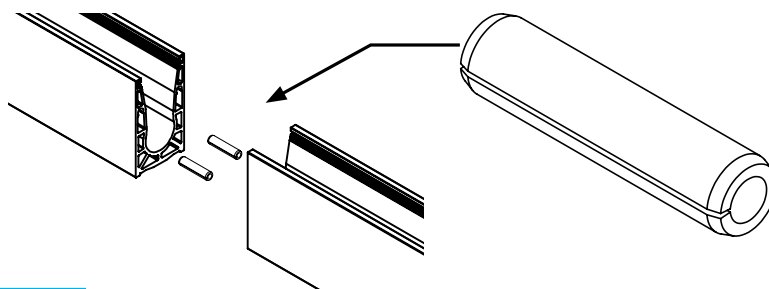


DESCRIPTION · LENGTH · MATERIAL

ART. NO.

Connecting pins · 50 mm · steel

BO 5403113



i according to DIN 1481 · for the connection of the profiles · Ø 8 mm · Packing unit 2 pc

Handrails

Handrail round



LENGTH	ART. NO.
3000 mm	BO 6003442
6000 mm	BO 6003454

ø	42.4 mm
Material	Stainless steel V4A
Material thickness	1.5 mm
Inside	24 mm

i Please use the following profiles with this handrail:
BO 6003445A - BO 6003445E

Rubber Profile



GLASS THICKNESS	ART. NO.
12mm	BO 6003445A
15mm	BO 6003445B
17.52mm	BO 6003445C
19mm	BO 6003445D
21.52mm	BO 6003445E

For	Handrail BO 6003442, BO 6003454
Shape	U-Profile
Length	6000 mm

Tube Connector straight



MATERIAL	ART. NO.
Stainless steel V4A	BO 6003445

For	Handrail BO 6003442, BO 6003454
Diameter	ø 42.4 x 1.5 mm

i This product can be bonded with anaerobic adhesive.

Tube Connector 90° Corner



MATERIAL	ART. NO.
Stainless steel V4A	BO 6003446
For	Handrail BO 6003442, BO 6003454
Diameter	ø 42.4 x 1.5 mm

i This product can be bonded with anaerobic adhesive.

Handrail Articulated Connector



MATERIAL	ART. NO.
Stainless steel V4A	BO 6003447
For	Handrail BO 6003442, BO 6003454
Diameter	ø 42.4 x 1.5 mm

i This product can be bonded with anaerobic adhesive.

Wall Connector



MATERIAL	ART. NO.
Stainless steel V4A	BO 6003444
For	Handrail BO 6003442, BO 6003454
ø	42.4 x 2 mm

End Cap flat



MATERIAL	ART. NO.
Stainless steel V4A	BO 6003443

For	Handrail BO 6003442, BO 6003454
Diameter	ø 42.4 x 1.5 mm

i This product can be bonded with anaerobic adhesive.

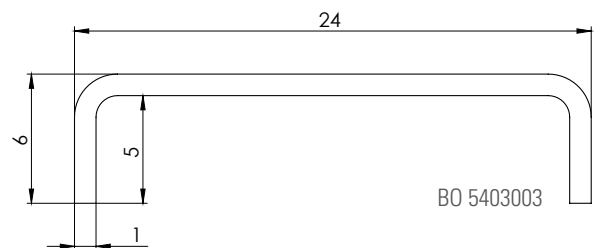
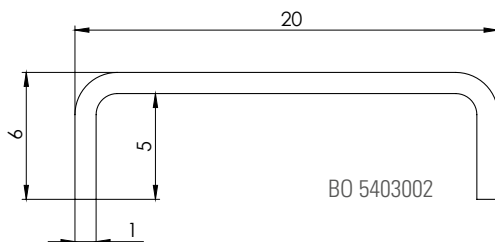
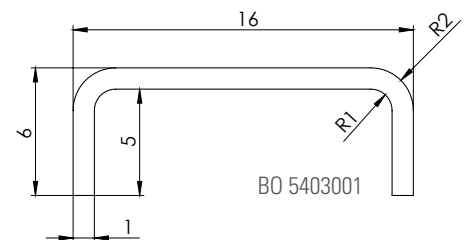
Glass Edge Protecting Profile



FOR GLASS THICKNESS	ART. NO.
12.76 - 13.52 mm	BO 5403001
16.76 - 17.52 mm	BO 5403002
20.76 - 21.52 mm	BO 5403003


Material	Stainless steel V4A
Form	U-Profile
Length	4000 mm

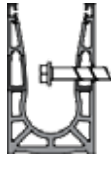
i self-adhesive

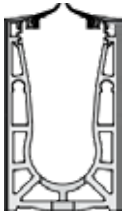
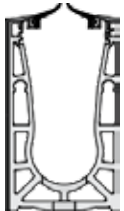
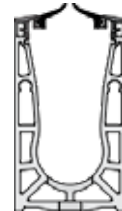



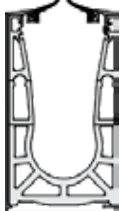
VetroMount Quote Request Form

Customer			
Name:		Company:	
Address:			
Phone:		E-mail:	
Project Reference:			

Top Mount Profile		
2.5 m x	piece	
5.0 m x	piece	
Total	1m	

Side Mount Profile		
2.5 m x	piece	
5.0 m x	piece	
Total	1m	

Cover Profile Style			
2 x side <input type="checkbox"/>	1 x side <input type="checkbox"/> 1 x top <input type="checkbox"/>	2 x top <input type="checkbox"/>	without <input type="checkbox"/>
			

Cover Profile		
1x full <input type="checkbox"/>	1x top <input type="checkbox"/>	

Finishes	
E6C0 / Aluminium-Coloured Anodised <input type="checkbox"/>	SSL / Stainless Steel Look <input type="checkbox"/>

Mounting Kit (incl. Rubber Profiles)						
Glass thickness:	12-12.76mm <input type="checkbox"/>	13.52 mm <input type="checkbox"/>	16.76 mm <input type="checkbox"/>	17.52 mm <input type="checkbox"/>	20.76 mm <input type="checkbox"/>	21.52 mm <input type="checkbox"/>

End Caps	
End Cap (1 pc)	left pc.
	right pc.

Accessories		
Connecting Pins (2 per pack)	Staircase Stopper (1 per pack)	Mounting Aid
pc.	pc.	pc.

Fixing Anchors for Concrete			
Galvanised Steel (50pcs per pack)	pc.	V4A Stainless Steel (25pcs per pack)	pc.



VERROTEC

Prüf-, Überwachungs- und
Zertifizierungsstelle (RPF14)

Content: **Test Report**

Project: VetroMount Top and VetroMount Side

Project number: VT 17-0682

Report: VT 17-0682 - 06

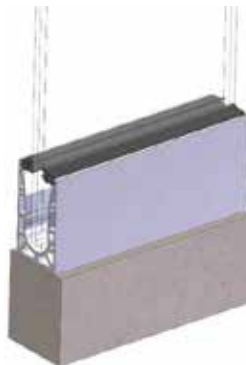
Contract: Static line load tests according to BS 6180:2011

Client: Bohle AG
Dieselstraße 10
D-42781 Haan

Date: 27/03/2019

Dr.-Ing. Mascha Baitinger
(Head of Prüf-, Überwachungs- und
Zertifizierungsstelle)

Dipl.-Ing. Sarah Eckhardt
(Projectengineer)



Quelle: Bohle AG

VERROTEC GmbH
Im Niedergarten 12a
55124 Mainz

www.verrotec.de
E-Mail: puez@verrotec.de

Tel. +49 (0) 6131 / 617 134-0
Fax +49 (0) 6131 / 617 134-144

Geschäftsführer
Dipl.-Ing. Martin Baitinger
Dr.-Ing. Lars Kützing

United Kingdom
Republic of Ireland

Bohle Ltd.
Fifth Avenue, Tameside Park
Dukinfield, Cheshire, SK16 4PP

T +44 161 3421100
F +44 161 3440111

info@bohle.ltd.uk
www.bohle.com