

Vista



The premium cubicle option. Sleek, minimalist lines and elegant detailing combine to provide a high class solution to any washroom. The doors and pilasters are rebated to provide a flush frontal facade with set-back pedestals create a floating appearance.

Vista is available in 2 material options with the 13mm solid grade laminate giving a budget but durable option for high use washrooms and the 36mm High Pressure laminate offering pristine quality & aesthetics for select, corporate environments.

designers and manufacturers of exemplary washroom systems

call 01603 424855 fax 01603 413336 email info@dunhamsofnorwich.co.uk
Dunhams Washroom Systems The Granary School Road Neatishead Norwich NR12 8BU

www.dunhamsofnorwich.co.uk

VAT Registration No. 105 2240 29

Partners BH Dunham MH Dunham JN Dunham SG Dunham TJ Percival

Specification

Divisions

HPL

Core/Face: High density particleboard faced both sides with high pressure laminate giving 18mm nominal thickness

Edge: Matching 2mm thick impact resistant ABS lipping

SGL

Core/Face: Solid grade laminate with colour finish to both sides giving 13mm thickness

Edge: Polished and radiused

Colour: From the Dunhams colour selector

Doors/Pilasters

HPL

Core/Face: 2x18mm high grade particle board faced both sides with high pressure laminate giving 36mm overall panel thickness

Panel Detail: Rebated doors/pilasters to create flush front cubicle

Edge: Matching 2mm thick impact resistant ABS lipping

SGL

Core/Face: Solid grade laminate with colour finish to both sides giving 13mm thickness

Panel Detail: Rebated doors/pilasters to create flush front cubicle

Edge: Vertical edges rebated to ensure flush close between doors and pilasters. All other edges profile radiused and polished.

Colour: From the Dunhams colour selector

Hardware

All fittings manufactured from high quality brushed stainless steel

Pedestals: Stainless steel cylindrical design

Hinges: Sprung but hinges for self-closing doors

Indicator Bolt: Stainless steel indicator bolt turn with emergency release facility

Partition Fixing: Partitions secured with stainless cleats and stainless steel bolt-thru fixings

Headrail: Box section headrail for maximum strength

Coat Hook: Matching coat hook, 1 per cubicle

Dimensions

Overall Height: 2400mm as standard (see quote for height allowed)

Widths: from 700mm

Floor Clearance: 20mm

Depth: 1500mm standard (see quote for depth allowed)

designers and manufacturers of exemplary washroom systems

call 01603 424855 fax 01603 413336 email info@dunhamsofnorwich.co.uk

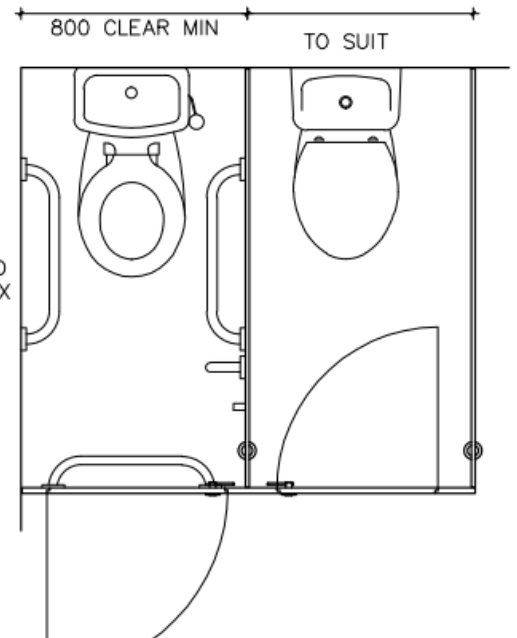
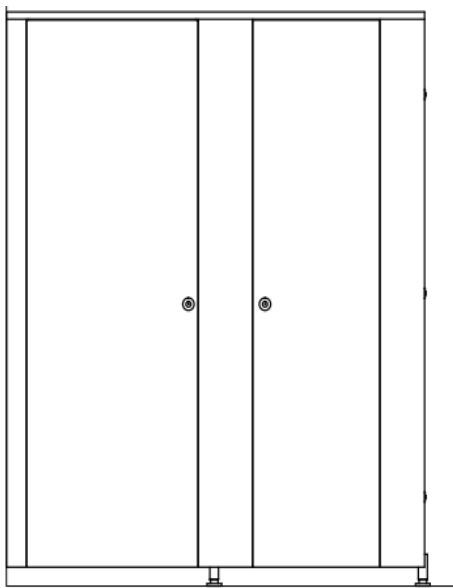
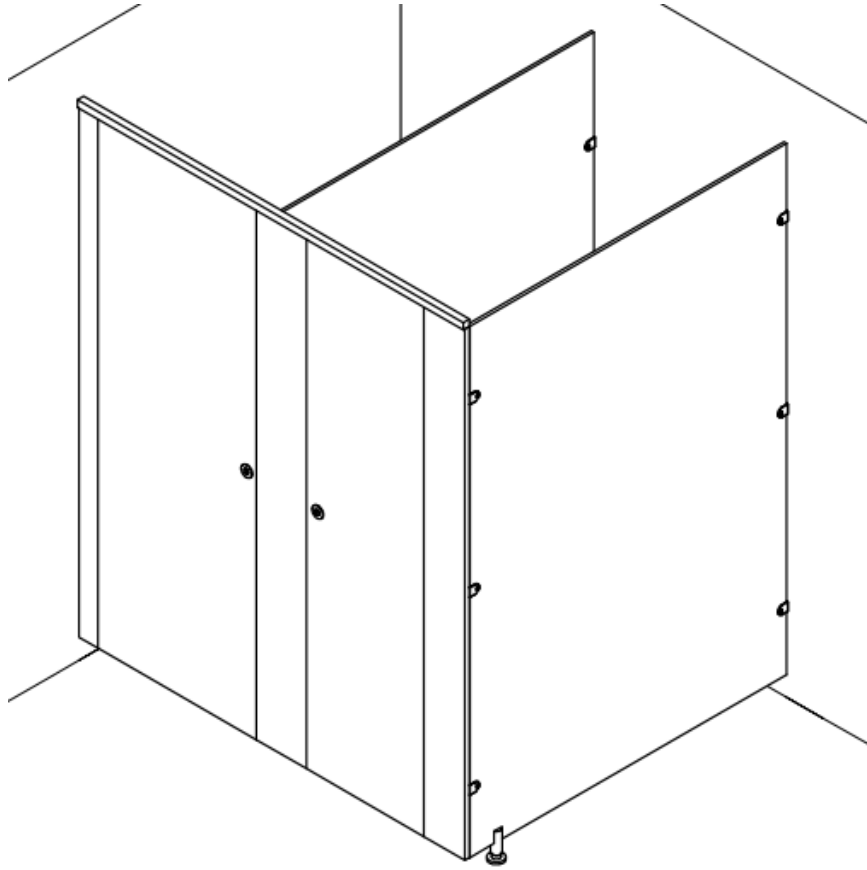
Dunhams Washroom Systems The Granary School Road Neatishead Norwich NR12 8BU

www.dunhamsofnorwich.co.uk

VAT Registration No. 105 2240 29

Partners BH Dunham MH Dunham JN Dunham SG Dunham TJ Percival

Technical Drawings



designers and manufacturers of exemplary washroom systems

call 01603 424855 fax 01603 413336 email info@dunhamsofnorwich.co.uk
Dunhams Washroom Systems The Granary School Road Neatishead Norwich NR12 8BU

www.dunhamsofnorwich.co.uk

VAT Registration No. 105 2240 29

Partners BH Dunham MH Dunham JN Dunham SG Dunham TJ Percival